

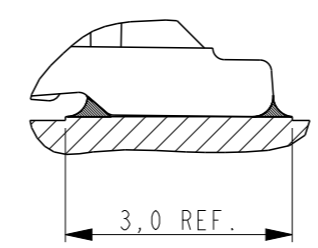
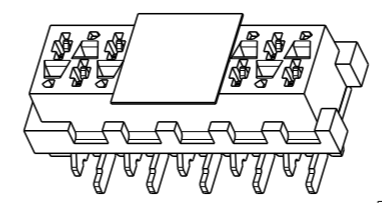
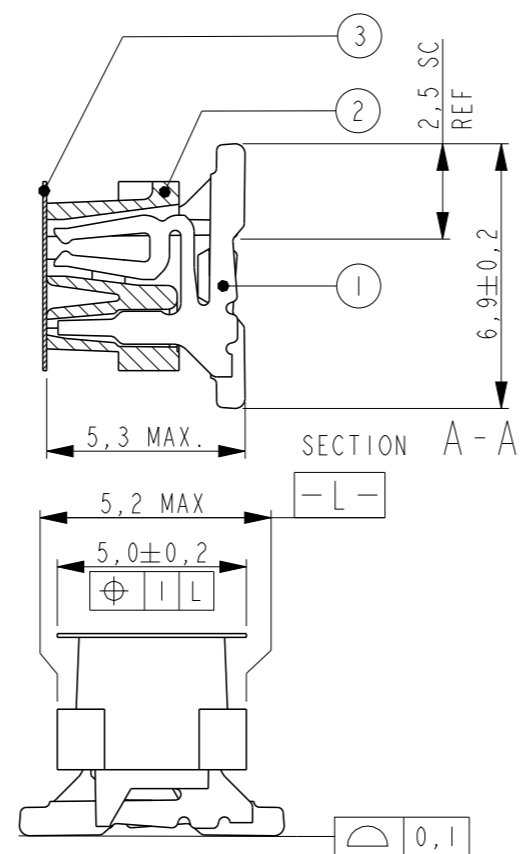
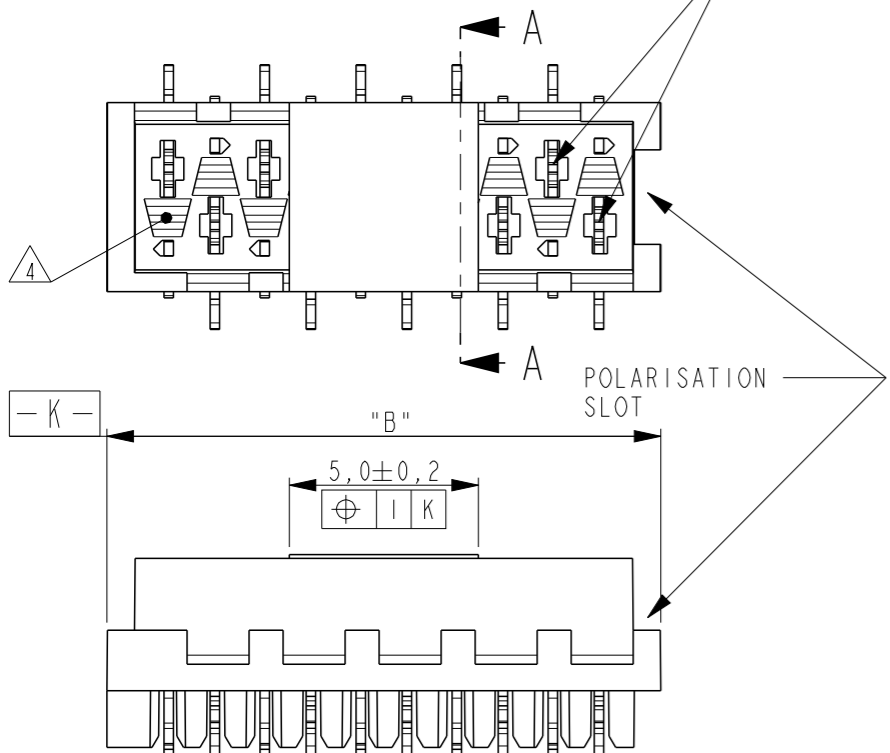
THIS DRAWING IS UNPUBLISHED. RELEASED FOR PUBLICATION. ALL RIGHTS RESERVED.

LOC H DIST -

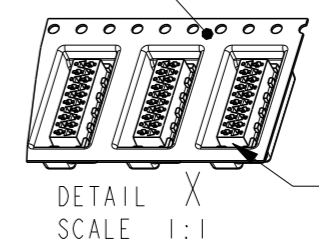
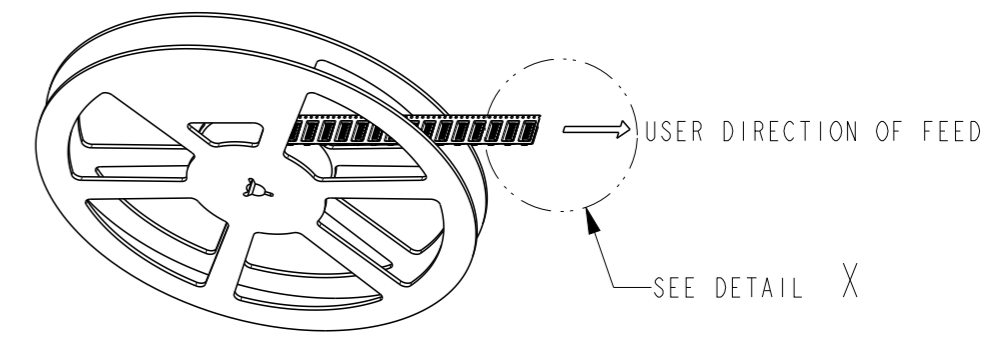
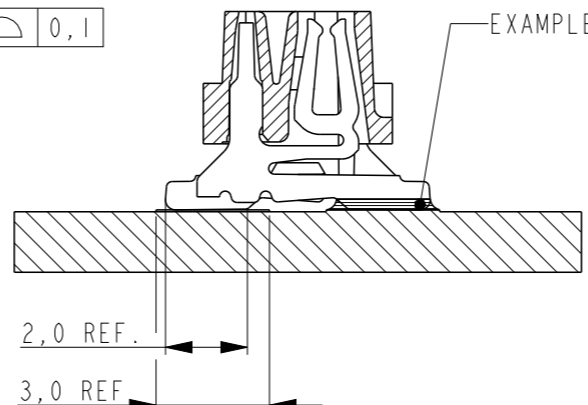
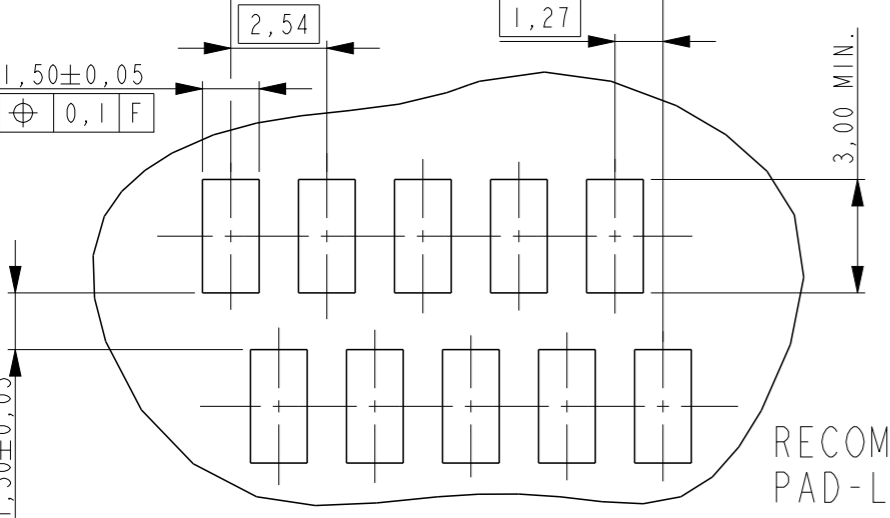
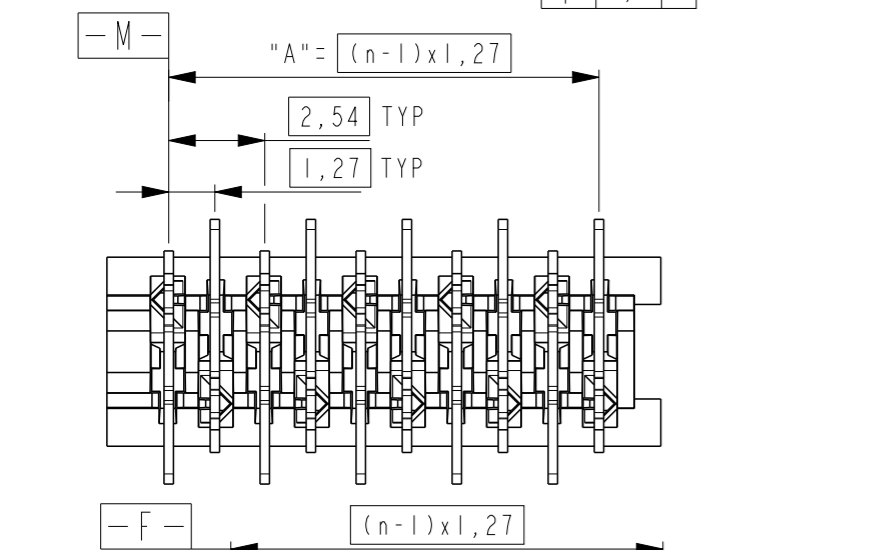
REVISIONS

P	LTR	DESCRIPTION	DATE	DWN	APVD
	S4	PACKAGING BLISTER MATERIAL CHANGE	08MAY2015	NV	PS

REFERENCE MATING INTERFACE PATTERN:  
1,27 STAGGERED PITCH x 1,5 ROW-DISTANCE.



PART NUMBER VAC. TAPE. <sup>1</sup>	PART REV	PART NUMBER <sup>3</sup>	PART REV	NR. OF POS. "n"	"A"	"B" MAX.
7-188275-4	U	0-188275-4	U	4	3,81	7,1
7-188275-6	U	0-188275-6	U	6	6,35	9,7
7-188275-8	U	0-188275-8	U	8	8,89	12,2
8-188275-0	U	1-188275-0	U	10	11,43	14,7
8-188275-2	U	1-188275-2	U	12	13,97	17,3
8-188275-4	U	1-188275-4	U	14	16,51	19,8
8-188275-6	U	1-188275-6	U	16	19,05	22,4
8-188275-8	V	1-188275-8	V	18	21,59	24,9
9-188275-0	U	2-188275-0	U	20	24,13	27,5



NOTES:

- 1 TAPE FOR VACUUM P&P ONLY FOR DASHNUMBERS 7- /8- /9-
- 2 FOR PACKAGING SEE SHEET 2 OF 2
- 3 WITHOUT VACUUM TAPE.
- 4 CORING-OUTS FOR MANUFACTURING PURPOSE ONLY. SHAPE MAY VARY, BUT IS NOT FUNCTIONAL FOR THE APPLICATION.
- 5 SHOWN IS A 10 POSITION CONNECTOR.

ITEM NO.	COMPONENT DESCRIPTION	MATERIAL	FINISH / COLOR
3	PICK & PLACE TAPE	KAPTON	AMBER TRANSPARENT
2	FEMALE HOUSING	POLYAMIDE 4/6,GF	RED
1	FEMALE CONTACT	PHOSPHOR BRONZE	TIN OVER NICKEL

THIS DRAWING IS A CONTROLLED DOCUMENT.		DWN M. GOSSELINK
DIMENSIONS: mm		CHK -
TOLERANCES UNLESS OTHERWISE SPECIFIED:		APVD -
0 PLC	±-	PRODUCT SPEC 108-19052
1 PLC	±-	APPLICATION SPEC 114-13318
2 PLC	±-	WEIGHT -
3 PLC	±-	CUSTOMER DRAWING
4 PLC	±-	SCALE 5:1
ANGLES	±-	SHEET 1 OF 2
FINISH	SEE TABLE	REV S4

**STE** TE Connectivity

CONNECTOR, FEMALE-ON-BOARD TOP-ENTRY, SMD, Micro-MatCh

SIZE A3 CAGE CODE 00779 DRAWING NO C-188275 RESTRICTED TO -

THIS DRAWING IS UNPUBLISHED.

RELEASED FOR PUBLICATION

© COPYRIGHT -

ALL RIGHTS RESERVED.

LOC  
H

DIST  
-

REVISIONS

P LTR

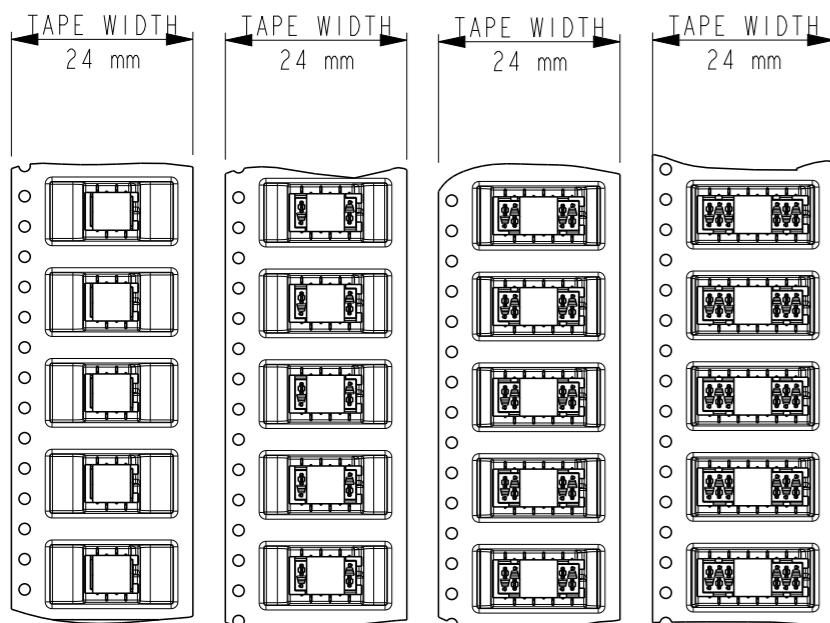
DESCRIPTION

DATE

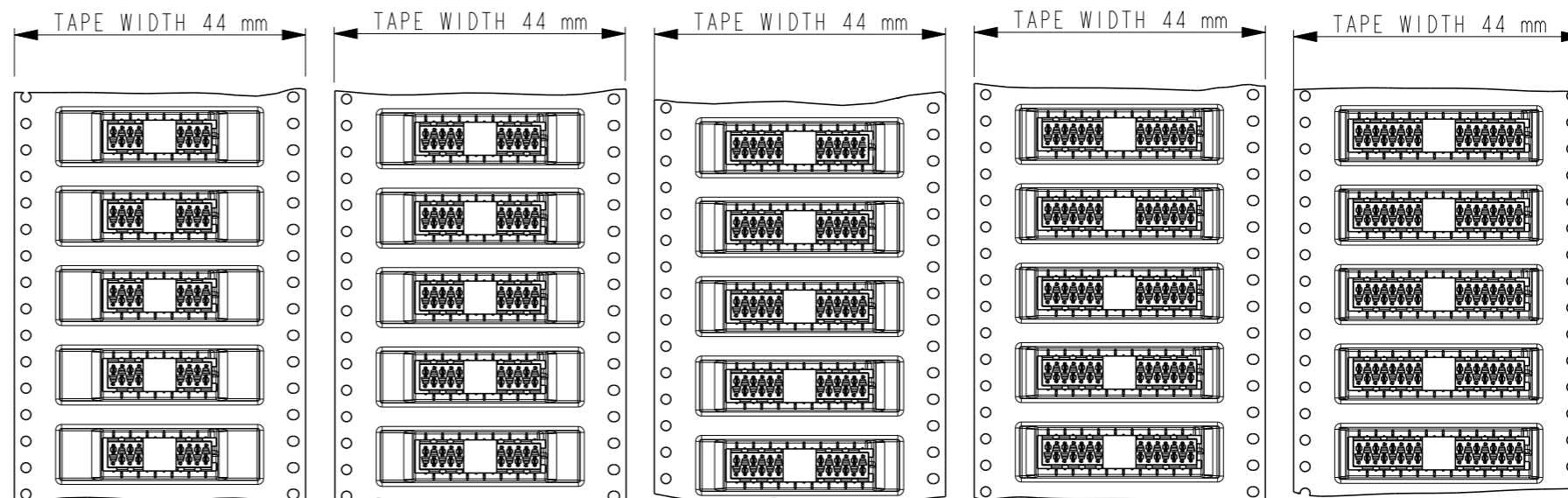
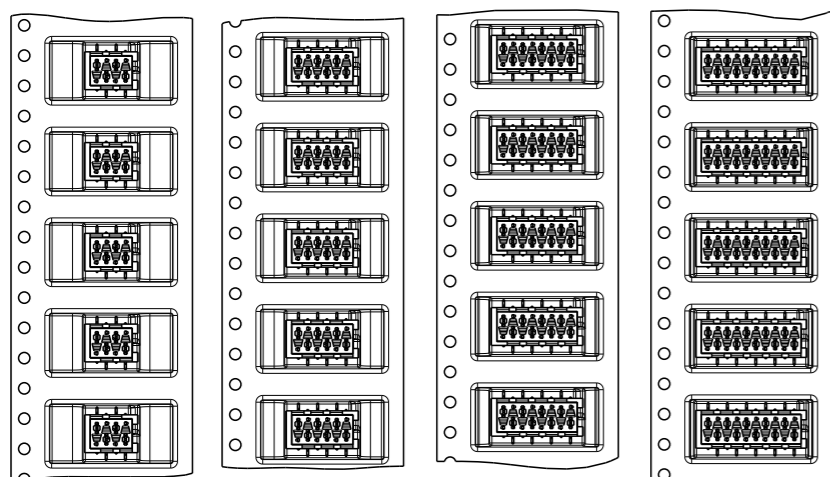
DWN

APVD

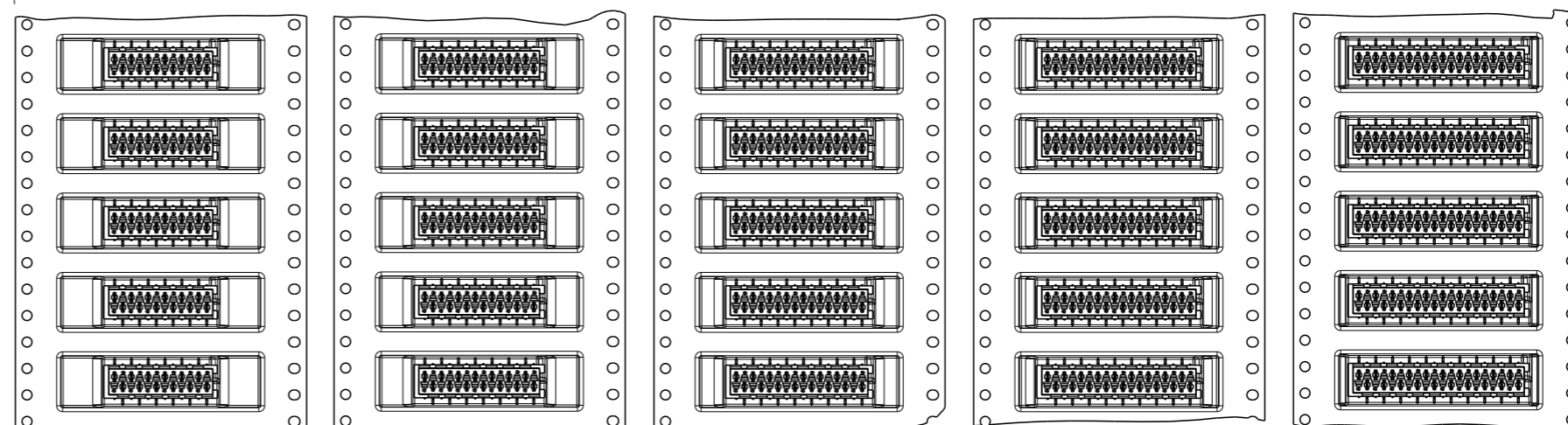
SEE SHEET 1



7-188275-4	7-188275-6	7-188275-8	8-188275-0
4 POSITION	6 POSITION	8 POSITION	10 POSITION
0-188275-4	0-188275-6	0-188275-8	1-188275-0



8-188275-2	8-188275-4	8-188275-6	8-188275-8	9-188275-0
12 POSITION	14 POSITION	16 POSITION	18 POSITION	20 POSITION
1-188275-2	1-188275-4	1-188275-6	1-188275-8	2-188275-0



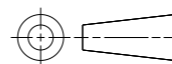
THIS DRAWING IS A CONTROLLED DOCUMENT.

DWN  
M. GOSSELINK  
CHK  
-  
APVD  
-



DIMENSIONS:  
mm

TOLERANCES UNLESS OTHERWISE SPECIFIED:



0 PLC	±-
1 PLC	±0.1
2 PLC	±0.05
3 PLC	±-
4 PLC	±-
ANGLES	±-
FINISH	-

PRODUCT SPEC  
108-19052  
APPLICATION SPEC  
114-13318  
WEIGHT  
-

NAME  
CONNECTOR,  
FEMALE-ON-BOARD TOP-ENTRY,  
SMD, Micro-MaTch

SIZE	CAGE CODE	DRAWING NO	RESTRICTED TO
A3	00779	©-188275	-

MATERIAL

CUSTOMER DRAWING

SCALE 1:1 SHEET 2 OF 2 REV S4

## X-ON Electronics

Largest Supplier of Electrical and Electronic Components

*Click to view similar products for [Headers & Wire Housings](#) category:*

*Click to view products by [TE Connectivity](#) manufacturer:*

Other Similar products are found below :

[892-18-020-10-001101](#) [58102-G61-06LF](#) [582553-1](#) [0009485154](#) [009176003701906](#) [0050291907](#) [LY20-4P-DT1-P1E-BR](#) [02.125.8002.8](#)  
[609-3404](#) [61062-3](#) [61082-181009](#) [622-3653LF](#) [63453-116](#) [636-1030](#) [636-1427](#) [636-3427](#) [636-4007](#) [641938-9](#) [641991-4](#) [644827-2](#) [65817-010LF](#) [65817-015LF](#) [65863-015LF](#) [66207-023LF](#) [67095-007LF](#) [67601157](#) [68645-018](#) [68648-049](#) [70.362.1628.0](#) [70-4210](#) [70-4226B](#) [70-4853B](#) [707-5020](#) [707-5028](#) [71.350.2428.0](#) [71918-208LF](#) [71961-016LF](#) [733-134](#) [733-162](#) [754199-000](#) [760-3052](#) [787-8014-00](#) [79531-3000](#)  
[FCN-360C032-B](#) [FCN-367T-T012/H](#) [FCN-723D010/2](#) [80.063.4001.1](#) [800-90-001-10-001000](#) [800-90-010-10-002000](#) [801-43-002-10-013000](#)