

4

3

2

1

THIS DRAWING IS UNPUBLISHED.

RELEASED FOR PUBLICATION

20

LOC -

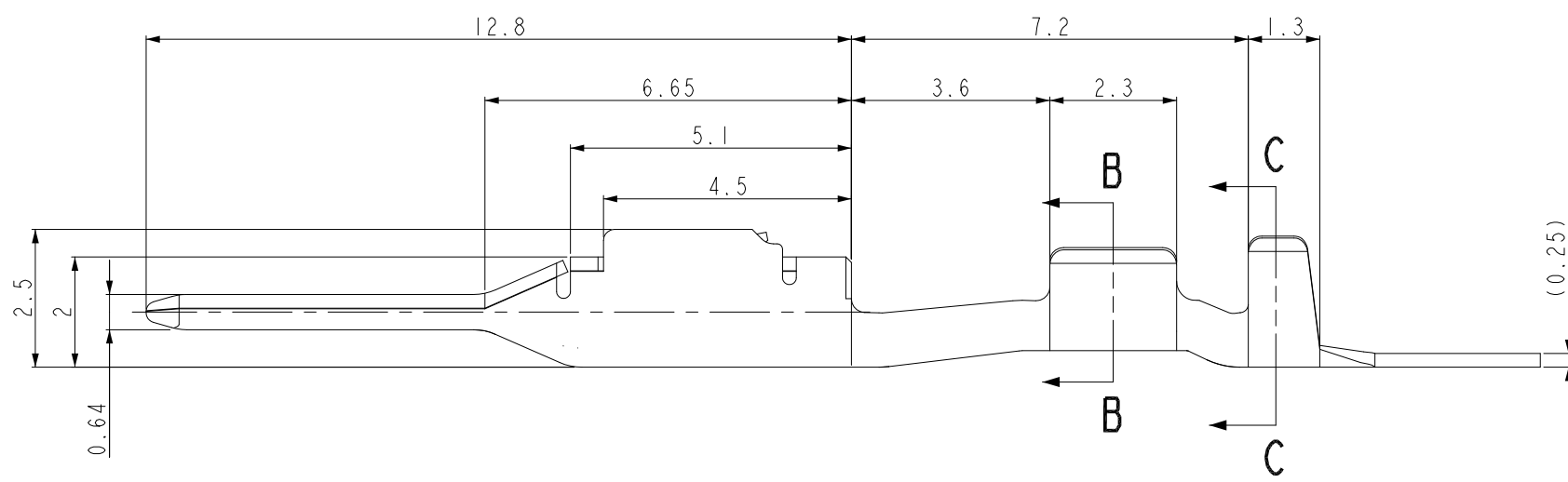
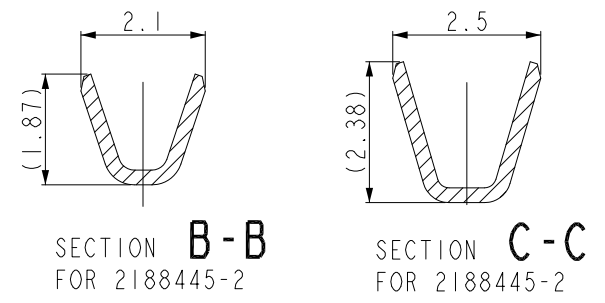
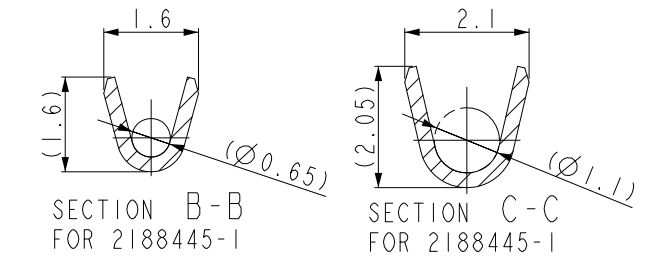
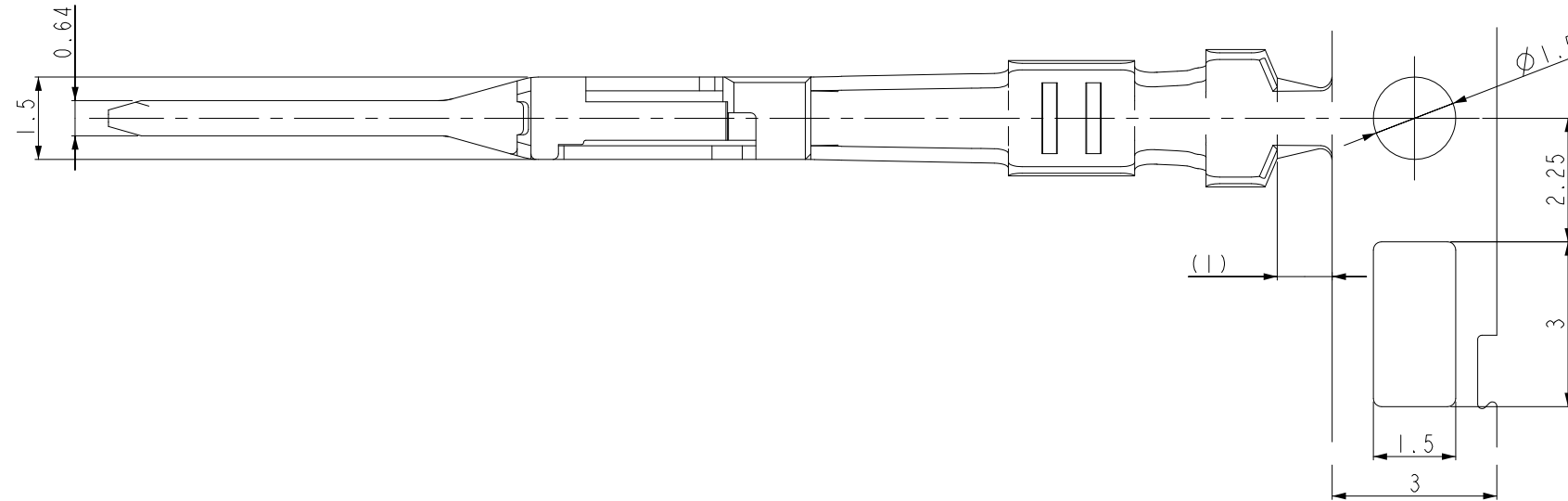
DIST -

REVISIONS

© COPYRIGHT 20 BY -

ALL RIGHTS RESERVED.

P	LTR	DESCRIPTION	DATE	DWN	APVD
	A	RELEASED	13.AUG.'13	KT	HG



- NOTE
1. GENERAL TOLERANCE:  $\pm 0.3$ ,  $\pm 3^\circ$
  2. MATERIAL: Copper-Nickel-Silicon (CuNiSi / UNS C64750), H04
  3. FINISH: PRE-TINNED
  4. THIS PRODUCT IS DESIGNED TO BE COMPATIBLE WITH UN-SEALED APPLICATIONS.
  5. APPLICATOR FEED: 7.5MM

$\phi 1.1-1.7$	0.3-0.5 SQ	$\triangle 3$	$\triangle 2$	.025 TAB (S)	2188445-2
$\phi 0.9-1.05$	0.13-0.22 SQ	$\triangle 3$	$\triangle 2$	.025 TAB (SS)	2188445-1
INSULATION RANGE	WIRE RANGE (NOMINAL SIZE)	FINISH	MATERIAL	DESCRIPTION	PART NO.

THIS DRAWING IS A CONTROLLED DOCUMENT.		DWN KT JUNG		 TE Connectivity .025 TAB CONTACTS	
DIMENSIONS: mm		CHK KT LIM			
TOLERANCES UNLESS OTHERWISE SPECIFIED:		APVD HG_CHO			
0 PLC $\pm$ 1 PLC $\pm$ 2 PLC $\pm$ 3 PLC $\pm$ 4 PLC $\pm$ ANGLES $\pm$ MATERIAL FINISH		PRODUCT SPEC -			
MATERIAL		APPLICATION SPEC 114-61030		NAME	
		WEIGHT -		SIZE CAGE CODE DRAWING NO RESTRICTED TO	
		CUSTOMER DRAWING		A3 00779 C- 2188445 -	
		SCALE 8:1		SHEET 1 OF 1 REV A	

## X-ON Electronics

Largest Supplier of Electrical and Electronic Components

*Click to view similar products for [Headers & Wire Housings](#) category:*

*Click to view products by [TE Connectivity](#) manufacturer:*

Other Similar products are found below :

[0015917161](#) [0022155065](#) [57102-F02-18ULF](#) [58102-G61-06LF](#) [582553-1](#) [01.001.5753.1](#) [0050291907](#) [02.125.8002.8](#) [609-3404](#) [61062-3](#)  
[CSU011177004](#) [622-0430](#) [622-3653LF](#) [63453-116](#) [636-1030](#) [636-1427](#) [636-3427](#) [636-4007](#) [641938-9](#) [65495-038](#) [65692-001LF](#) [65781-018](#)  
[65781-047](#) [65817-010LF](#) [65817-015LF](#) [67095-007LF](#) [67601157](#) [68631-112](#) [68645-018](#) [699319-000](#) [70.362.1628.0](#) [70-4210](#) [70-4226B](#) [70-](#)  
[4853B](#) [71.350.2428.0](#) [733-134](#) [733-162](#) [760-3052](#) [MHR-64-VUAL](#) [80.063.4001.1](#) [800-90-001-10-001000](#) [801-43-002-10-013000](#)  
[801-43-006-10-002000](#) [803-43-024-10-001000](#) [803-93-012-10-001000](#) [8-1437020-4](#) [819-22-004-30-001101](#) [820-22-006-30-001101](#)  
[820-22-008-30-001101](#) [821-22-002-10-001101](#)