



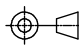

CODE 18 - HEAT SHRINK BOOT BACKSHELL

218M632A19B

SERIES _____
 DASH NUMBER (TABLE 1) _____
 MANUFACTURER CODE _____
 SEE TABLE 2
 MATERIAL _____
 REFER TO CH00-0250-004
 FINISH _____
 REFER TO CH00-0250-004

NOTES:

1. THIS PRODUCT IS DESIGNED TO TERMINATE A HEAT SHRINKABLE LIPPED BOOT TO A CONNECTOR.
 2. FOR ADDITIONAL DIMENSIONS, ORDERING INFORMATION AND MODIFICATION, SEE CH00-0250-004.
 3. BACKSHELL TO BE PERMANENTLY MARKED/BAGGED AND LABELLED WITH CODE IDENTIFICATION NUMBER AND PART NUMBER. (e.g. 06090-218M612-19B).
 4. BACKSHELL MATES TO MIL-DTL-5015, CLASS A, E & R, MS3100, MS3101 & MS3106. RESILIENT INSERT, SOLDER TYPE AND BENDIX 10-214, CANNON CA-RX COMMERCIAL CRIMP TYPE (LESS ENDBELL).
- (5) ALL THREAD SIZES FOR ORDER APPLY.
- (6) ADDITIONAL PIECE(S) SUPPLIED WHEN CONNECTOR MFR IS UNKNOWN (D IN TABLE 2)
- (7) ANTI-ROTATIONAL SET SCREW, THREE #4-40 THREADED HOLES 120° APART, SINGLE MATING SET SCREW SUPPLIED.

DRAWN	K.WINCZURA	DATE 26/05/2015	 3RD ANGLE PROJECTION NOT TO SCALE	TITLE: HEAT SHRINK BOOT BACKSHELL	
CHECKED		26/05/2015			
APPROVED	K.SHEPPARD	27/04/2015	UNLESS OTHERWISE SPECIFIED ALL DIMENSIONS IN MILLIMETRES GENERAL TOL LINEAR +/-0.25MM ANGULAR +/- 1°	ASSY USED ON:	
APPROVED	H.SMITH	02/09/2015		MIL-DTL-5015D	
REVISIONS					
LTR	DESCRIPTION	DATE	APPROVED		
H	REVISED PER ECN AD93111				
J	REVISED PER ECO-15-012672	02/09/2015	H.SMITH		
TE CAGE CODE: 06090 POLAMCO/TE CAGE CODE: U5792				TE CONNECTIVITY - POLAMCO LTD RESERVES THE RIGHT TO AMEND THIS DRAWING AND THE INFORMATION SET FORTH HEREON AT ANY TIME. USERS SHOULD INDEPENDENTLY EVALUATE THE SUITABILITY OF THE PRODUCT FOR THEIR APPLICATION.	DRAWING NO: 218M6XX
				DRAWING REV: J	SHT 1

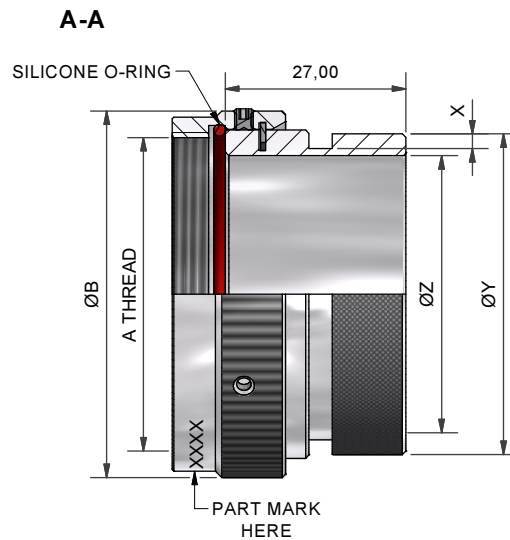
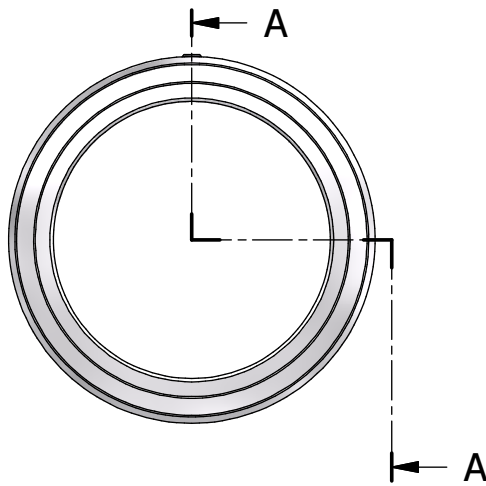
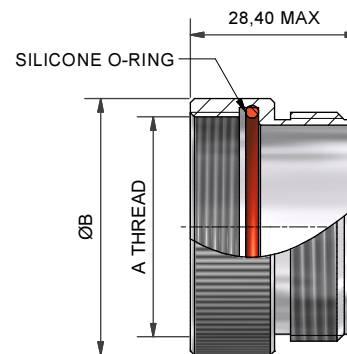


TABLE 1

ORDER NUMBER	SHELL SIZE	MFR CODE TABLE 3	A THREAD	ØB MAX	ØZ	ØY MAX	X +0,20/-0,00
08	8S	B	3/8-32 UNEF	18,5	6,2	13,0	1,12
	8S	C	7/16-28 UNEF	18,0	8,0	13,0	1,12
	8S	A, R	7/16-27 UNS	18,5	8,0	13,0	1,12
	8S	D (6)	(5)	18,5	8,0	13,0	1,12
10	10S	-	1/2-28 UNEF	19,8	9,5	15,0	1,12
11	10SL	C	9/16-24 UNEF	21,6	11,2	16,0	1,12
	10SL	A, B, R	5/8-24 UNEF	23,0	12,7	19,0	1,12
	10SL	D (6)	(5)	23,0	11,2	19,0	1,12
12	12 & 12S	B, C	5/8-24 UNEF	23,0	12,7	19,0	1,12
	12 & 12S	A, R	11/16-24 UNEF	24,9	14,3	19,0	1,12
	12 & 12S	D (6)	(5)	24,9	12,7	19,0	1,12
14	14 & 14S	-	3/4-20UNEF	27,7	16,0	21,0	1,12
16	16 & 16S	-	7/8-20 UNEF	31,1	19,0	24,0	1,12
18	18	-	1-20 UNEF	34,4	20,7	26,0	1,12
20	20	A, B, C	1 1/8-18 UNEF	37,6	25,4	34,0	1,75
	20	R	1 1/8-24 UNS	37,6	25,4	34,0	1,75
	20	D (6)	(5)	37,6	25,4	34,0	1,75
22	22	-	1 1/4-18 UNEF	40,6	28,5	36,0	1,75
24	24	-	1 3/8-18 UNEF	43,6	31,8	40,5	1,75
28	28	-	1 5/8-18 UNEF	48,6	35,0	43,0	2,20
32	32	B, C	1 7/8-16 UN	54,9	41,5	48,0	2,20
	32	A, R	1 29/32-18 UN	54,9	41,3	48,0	2,20
	32	D (6)	(5)	54,9	41,5	48,0	2,20
36	36	B	2 1/16-16 UNS	64,6	47,6	54,5	2,20
	36	R	2 1/16-20 UNS	64,6	47,6	54,5	2,20
	36	C	2 1/8-16 UN	64,6	48,0	54,5	2,20
	36	A	2 1/8-18 UNS	64,6	47,6	54,5	2,20
	36	D (6)	(5)	64,6	48,0	54,5	2,20
40	40	B	2 5/16-16 UN	70,6	54,0	60,5	2,20
	40	A, C, R	2 3/8-16UN	70,6	54,0	60,5	2,20
	40	D (6)	(5)	69,3	54,0	60,5	2,20
44	44	-	2 5/8-16 UN	82,0	60,3	67,6	2,20
48	48	C	2 13/16-18 UNS	82,0	66,7	74,0	2,20
	48	A, R	2 7/8-16 UN	82,0	66,7	74,0	2,20
	48	D (6)	(5)	82,0	66,7	74,0	2,20

TABLE 2

MFR CODE	CONNECTOR MANUFACTURER (MS 3100, MS 3101 & MS 3106)
A	AMPHENOL - CLASS A
B	BENDIX - CLASS A, E & R
C	CANNON - CLASS A, E & R
D	MFR UNKNOWN, CLASS A, E & R
R	AMPHENOL - CLASS R
-	MFR CODE NOT REQUIRED



ADDITIONAL PIECE(S) SUPPLIED WHEN CONNECTOR MANUFACTURER IS UNKNOWN ("D" IN TABLE 3)

DRAWN	K.WINCZURA	DATE	26/05/2015	 3RD ANGLE PROJECTION NOT TO SCALE UNLESS OTHERWISE SPECIFIED ALL DIMENSIONS IN MILLIMETRES GENERAL TOL LINEAR +/-0,25MM ANGULAR +/- 1°
CHECKED		DATE	26/05/2015	
APPROVED	K.SHEPPARD	DATE	27/04/2015	
APPROVED	H.SMITH	DATE	02/09/2015	
REVISIONS				
LTR	DESCRIPTION	DATE	APPROVED	
H	REVISED PER ECN AD93111			
J	REVISED PER ECO-15-012672	02/09/2015	H.SMITH	
TE CAGE CODE: 06090 POLAMCO/TE CAGE CODE: U5792				

TITLE:		HEAT SHRINK BOOT BACKSHELL		
ASSY USED ON:		MIL-DTL-5015D		
TE CONNECTIVITY - POLAMCO LTD RESERVES THE RIGHT TO AMEND THIS DRAWING AND THE INFORMATION SET FORTH HEREON AT ANY TIME. USERS SHOULD INDEPENDENTLY EVALUATE THE SUITABILITY OF THE PRODUCT FOR THEIR APPLICATION.				
DRAWING NO:		DRAWING REV:		SHT
218M6XX		J		2

X-ON Electronics

Largest Supplier of Electrical and Electronic Components

Click to view similar products for [Circular MIL Spec Strain Reliefs & Adapters](#) category:

Click to view products by [TE Connectivity](#) manufacturer:

Other Similar products are found below :

[896227-000](#) [899170S004](#) [6000-063-0022](#) [613751-000](#) [CS6624-000](#) [620AB038Z136](#) [620AS001Z108](#) [620AS038Z112](#) [620AS038Z120](#)
[620AS038Z132](#) [620FB038NF08](#) [620HA038NF13](#) [620HA038NF25](#) [620HA042XM13](#) [620HB049NF17](#) [620HS011NF21](#) [620HS038NF11](#)
[620HS038Z121](#) [620HS042XM19](#) [620HS042XM25](#) [620HS042XW13](#) [620HS048B17](#) [620MS064NF09](#) [620MS064NF12](#) [620MS065M12](#)
[620MS065Z107](#) [620MS065ZNU06](#) [630J041M06H](#) [630J041M20H](#) [637S010NF0212H](#) [640830-000](#) [659943-000](#) [66241-10A](#) [CW0597-000](#)
[CW0598-000](#) [CW0948-000](#) [CY0122-000](#) [M85049/41-6A W/B](#) [M85049/42-12DS](#) [M85049/47N8](#) [M85049/47W18](#) [M85049/51-1-14S](#)
[M85049/51-1-8W](#) [M85049/51S16S](#) [M85049/60-1N16](#) [M85049/60-2G12W](#) [M85049/69-11N](#) [CZ3661-000](#) [D02922-000](#) [70.360.1628.0](#)