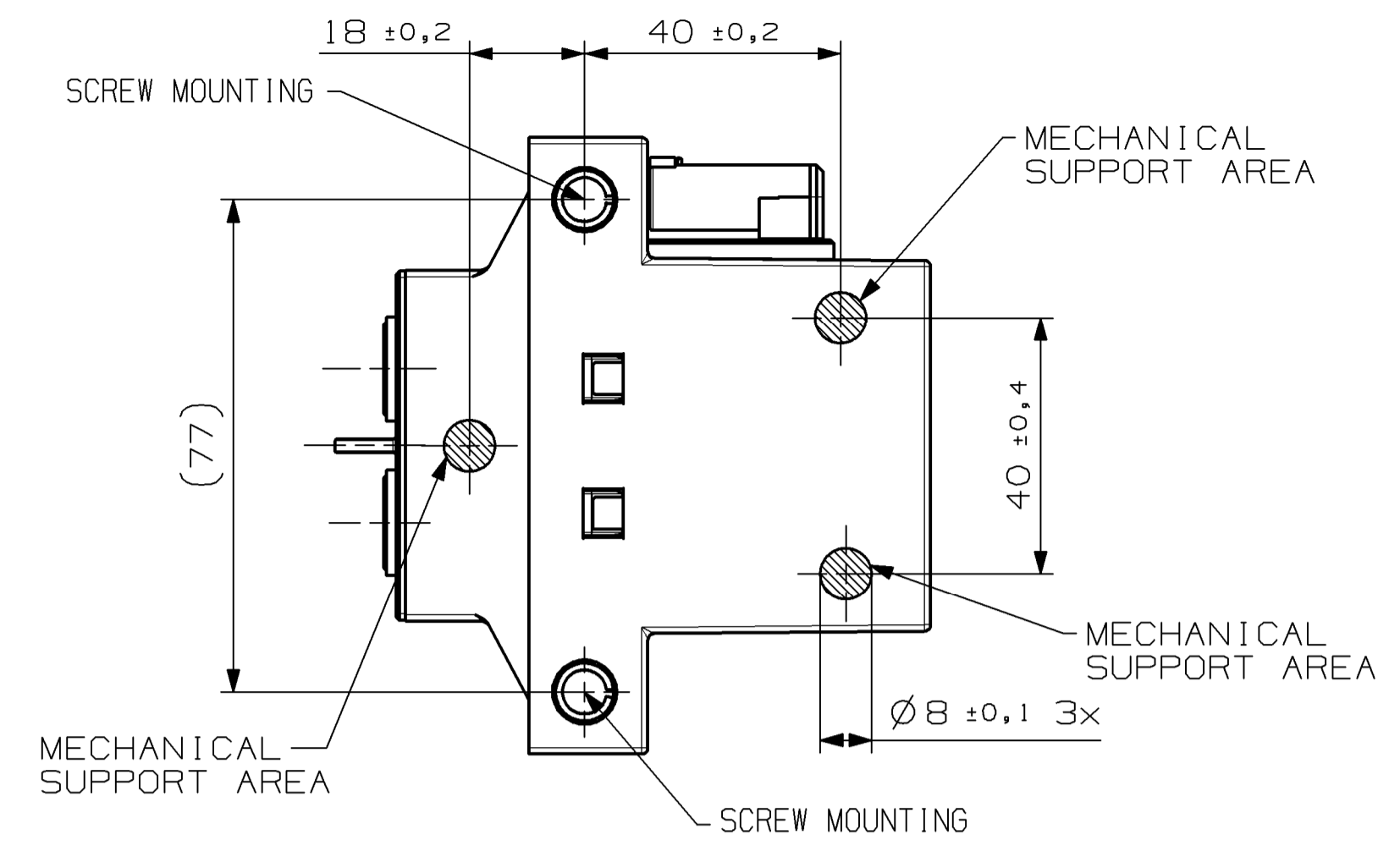
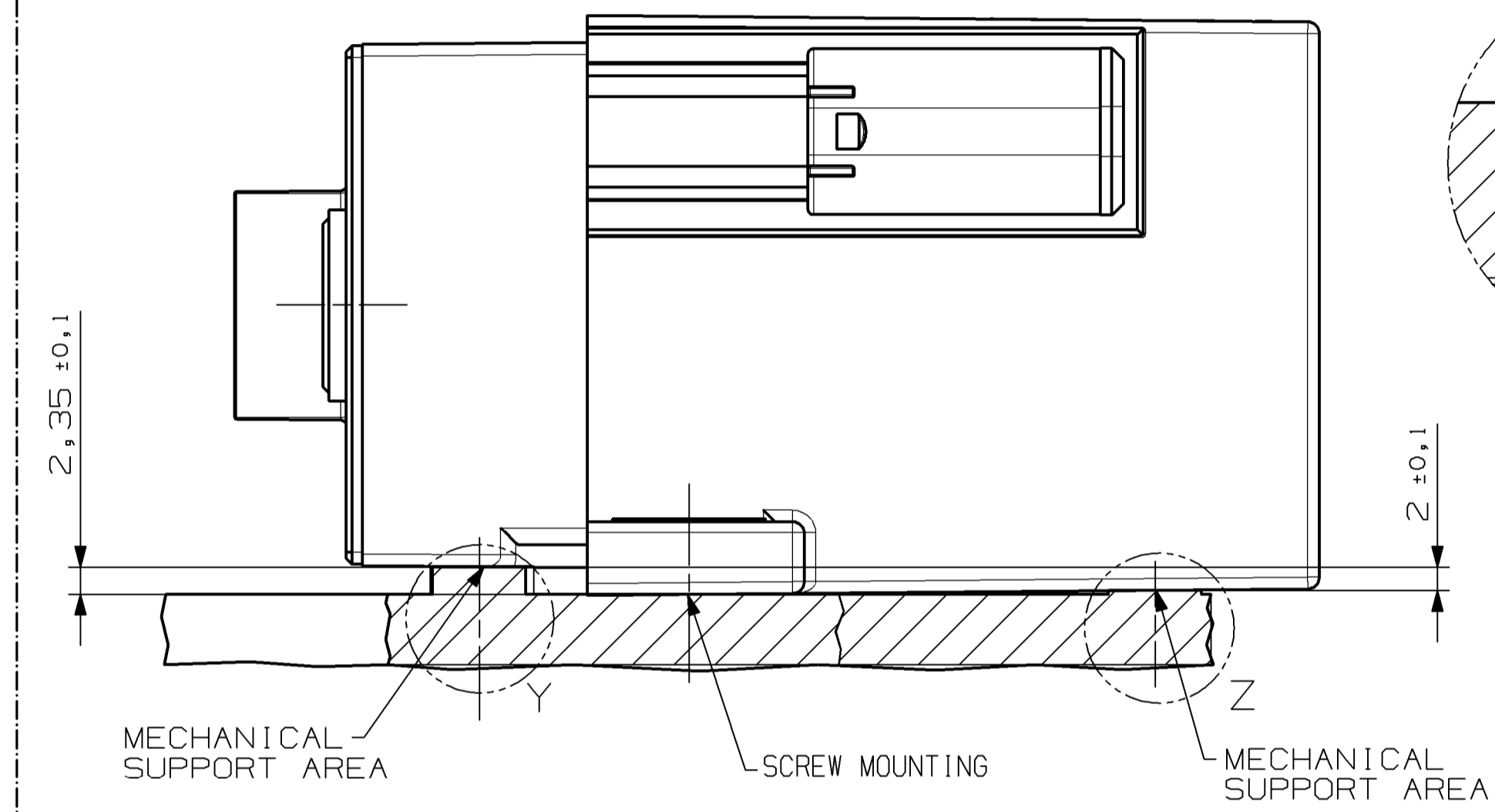


# MOUNTING CONDITIONS

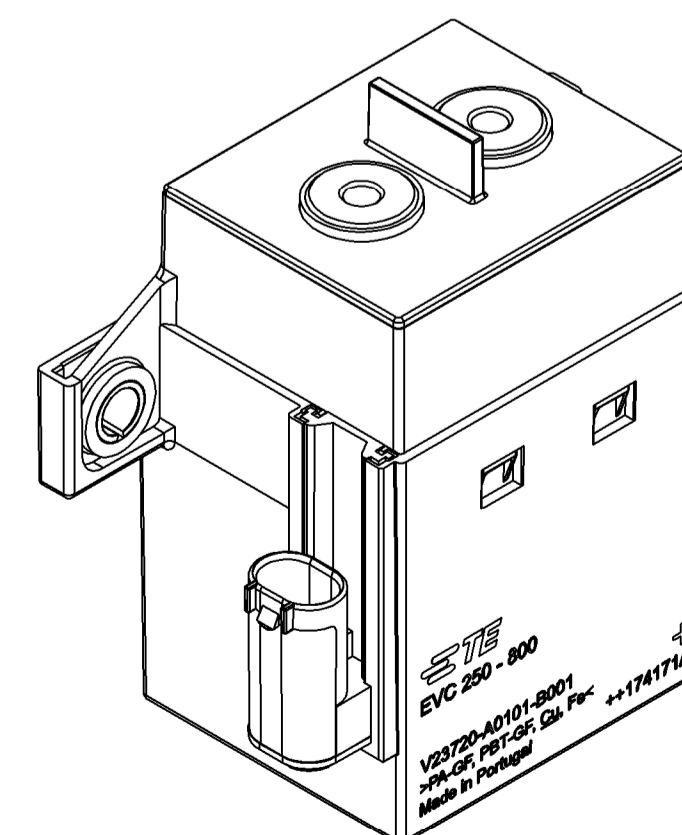
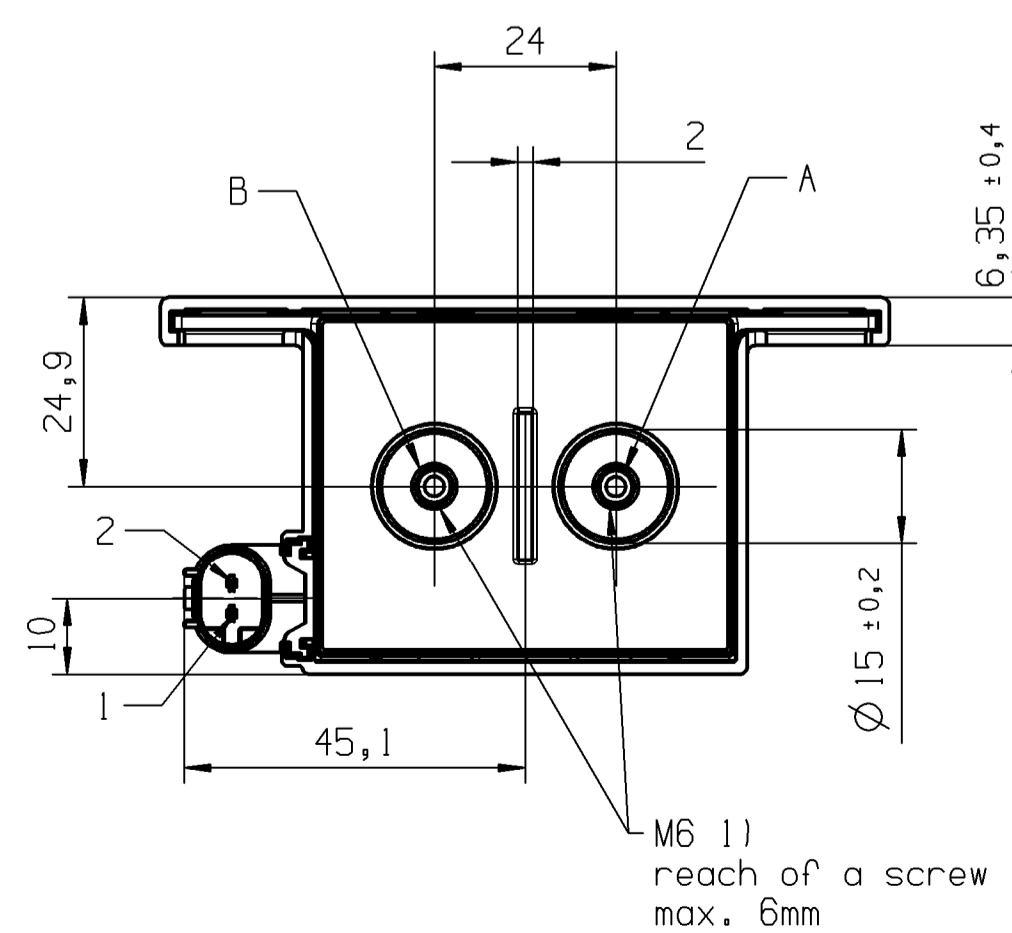
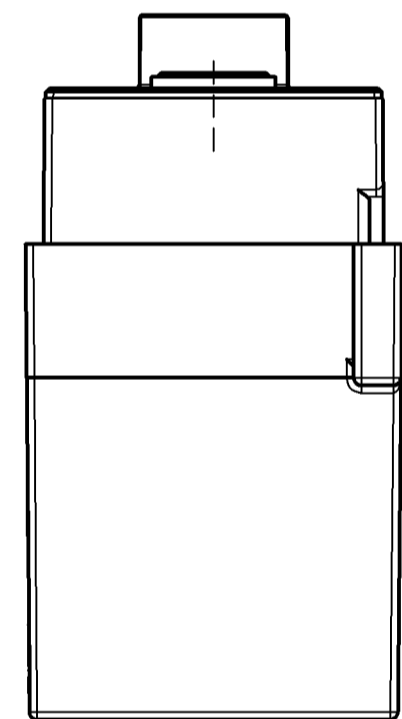
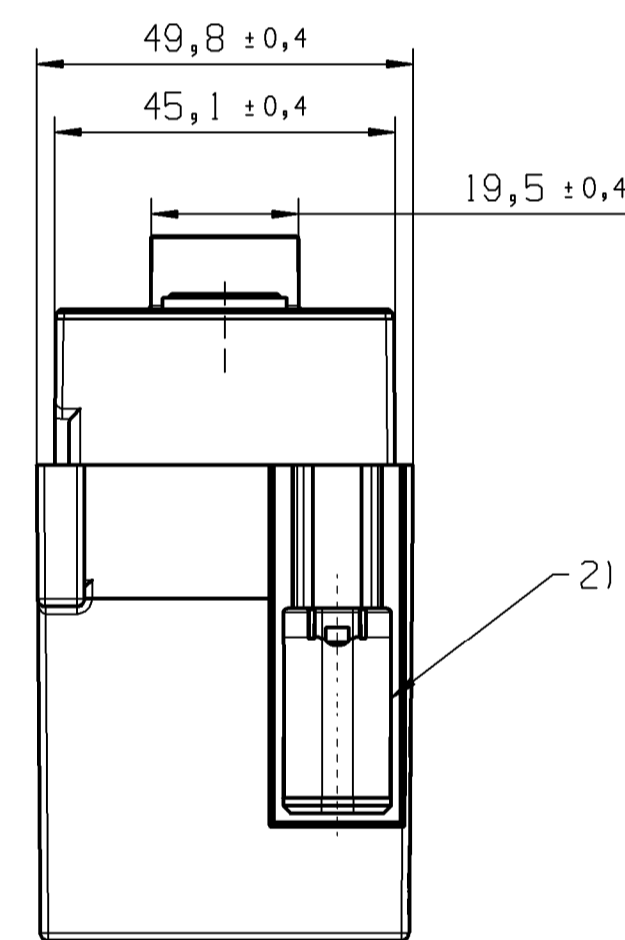
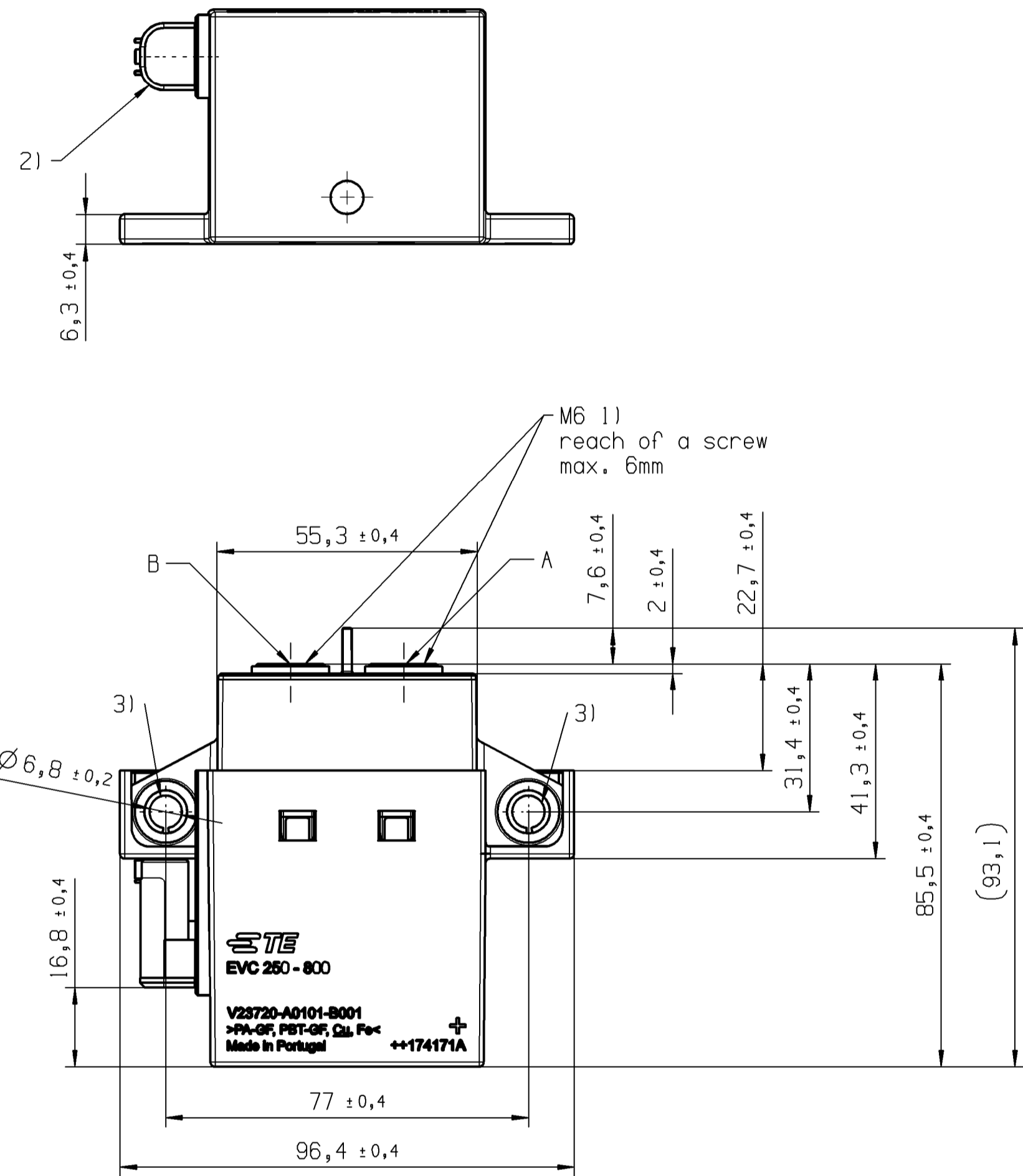
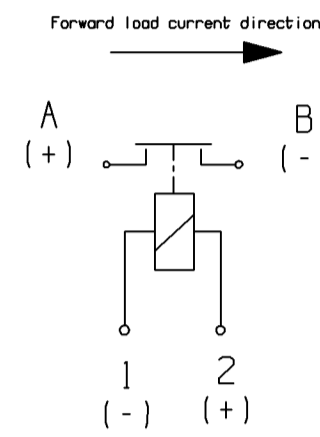
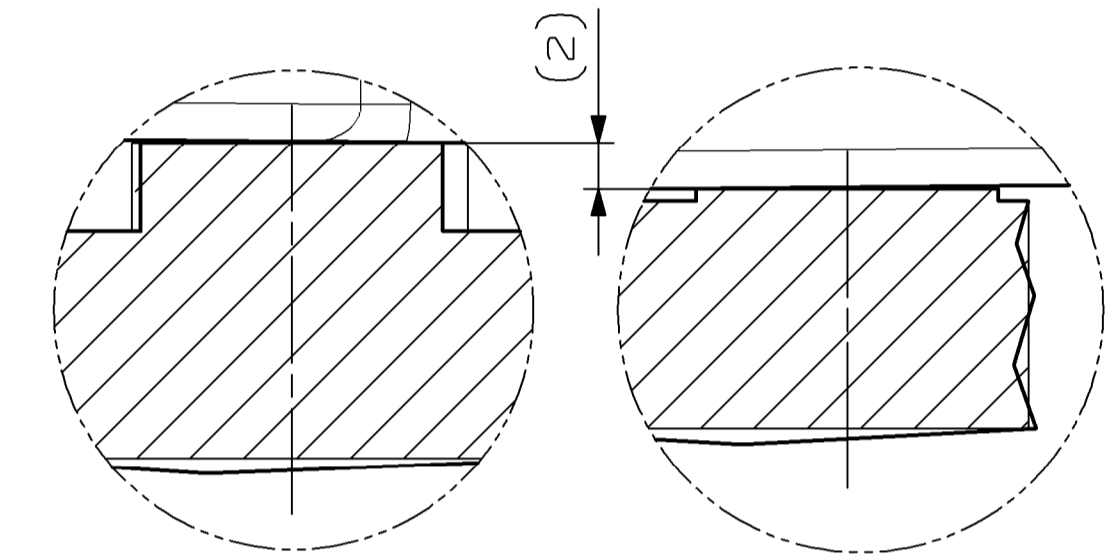


SCALE 2:1



DETAIL Y  
SCALE 5:1

DETAIL Z  
SCALE 5:1



Notice :

- 1) Permitted Torque 6 Nm WHEN MIN. 4 TURNS
- 2) Socket Housing  
TE Interface 2 Pos. MOS Code A ,  
appropriate for Socket Housing 2 Pos. MOS,  
TE PART NO. 1-967644-1  
PRESCRIBED WIRE CROSS SECTION = 0,35mm<sup>2</sup> MIN
- 3) HEXAGON SOCKET BOTTOM HEAD SCREW EN ISO 7380 M6 WITH  
WASHER ISO 7090/ 7089

PART ALIAS	TCPN	REV
V23720-A0101-B001	2-1904136-5	F

PROPRIETARY				THE REPRODUCTION, TRANSMISSION OR USE OF THIS DOCUMENT OR ITS CONTENTS IS NOT PERMITTED WITHOUT EXPRESSED WRITTEN AUTHORITY. OFFENDERS WILL BE LIABLE FOR ALL DAMAGES. ALL RIGHTS, INCLUDING RIGHTS CREATED BY REGISTERED PATENTS GRANTED FOR A UTILITY MODEL OR DESIGN, ARE RESERVED.		CHANGES TO THIS DRAWING MUST BE DONE ONLY IN CAD		PAPER SIZE	
APPLICABLE SPEC. :				FINISH		DIMENSIONS APPLY		PLATING	
TOLERANCE UNLESS SPECIFIED OTHERWISE				SCALE		MATERIAL		WEIGHT	
DIMENSIONS IN MM				1:1		---		600g	
DATE				NAME		PART NAME		SHT.	
2020-07-14				KOC		EVC 250 - 800 , HV-RELAY WITH CONNECTOR		1	
2019-11-29				KOC		V23720-A0101-B001-CD		OF 1	
2019-02-05				KOC					
2018-09-12				KOC					
2017-08-30				KOC					
2017-03-17				KOC					
2015-06-24				---					
REV. CHANGE ORDER				DATE		APP.			

## X-ON Electronics

Largest Supplier of Electrical and Electronic Components

*Click to view similar products for [Automotive Relays](#) category:*

*Click to view products by [TE Connectivity](#) manufacturer:*

Other Similar products are found below :

[7-1414968-8](#) [7-1617345-6](#) [9-1617516-5](#) [G5CE1ASIDC12](#) [1393204-2](#) [1393302-3](#) [13Z99A115-0074](#) [1432872-1](#) [AR4-15F11-S01](#) [AR4-15H11](#)  
[1617057-2](#) [1617058-6](#) [1617518-5](#) [2-1617057-2](#) [2-1617057-6](#) [2-1617058-3](#) [CB1F-M-12V-H15](#) [898H-1AH-D-001-12VDC](#) [AR4-11F11](#)  
[AR4-15F11](#) [AR4-41F11](#) [24198-1](#) [4-1617057-0](#) [41FZ-200ACG-BSL](#) [5-1616920-2](#) [5-1617052-9](#) [5407-0011-HS](#) [CB1AF-M-12V-H59](#) [5-](#)  
[1617346-8](#) [103-1AH-C-12VDC](#) [V23134A1052X299](#) [6-1393302-1](#) [897H-1AH-D-R1-U01-12VDC](#) [FTR-P3CP024W1-06](#) [1-1617057-8](#) [3-](#)  
[1393305-1](#) [5436-0001-HS](#) [V23086-R1851-A502](#) [V23136-A0004-X075](#) [898H-1AH-D1SW-R1-12VDC](#) [RH4C1P2607](#) [RE031005](#)  
[V23134M0052G242](#) [1393204-1](#) [23234B0001X001-EV-144](#) [AZ979-1A-24D](#) [2-1904020-1](#) [V23134B0052C642](#) [V23134B0053C642](#) [V23234-](#)  
[A1001-X036](#)