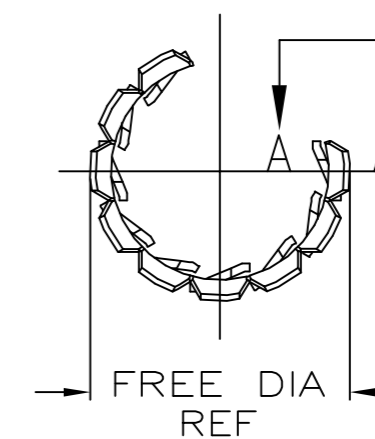
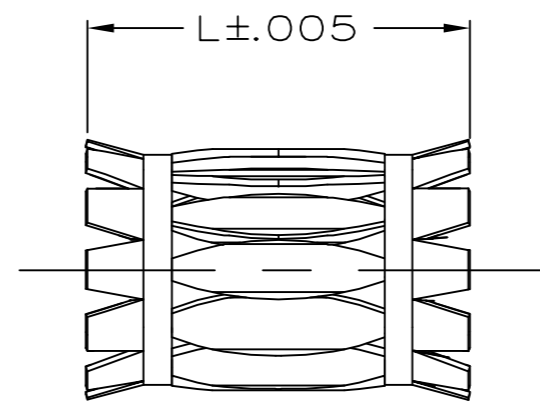
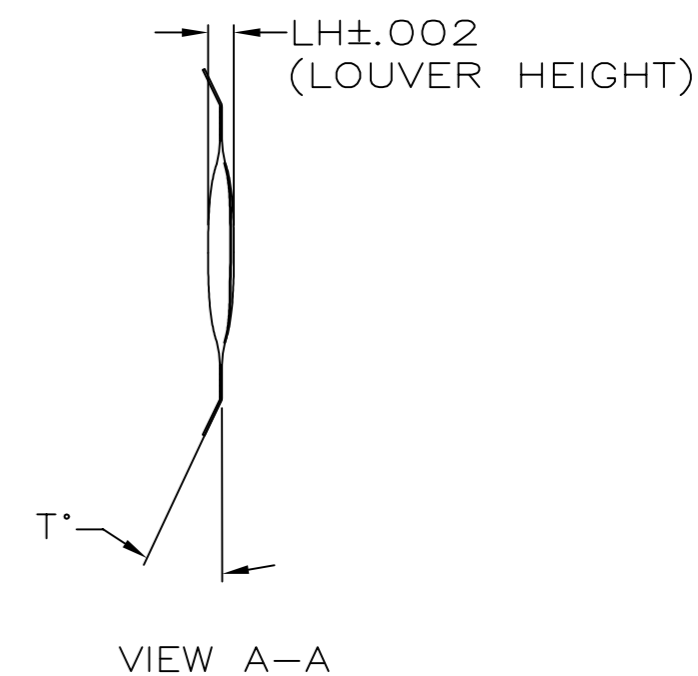


THIS DRAWING IS UNPUBLISHED. RELEASED FOR PUBLICATION
 © COPYRIGHT - By - ALL RIGHTS RESERVED.

| REVISIONS | | | | | |
|-----------|-----|---------------------------|-----------|-----|------|
| P | LTR | DESCRIPTION | DATE | DWN | APVD |
| G | | REVISED PER ECO-16-005106 | 05APR2016 | NK | MZ |
| H | | REVISED PER ECO-17-013721 | 15NOV2017 | RS | MZ |



1. FINISH: GOLD PLATE 10uIN MIN THICK.
2. FINISH: NICKEL PLATE 40uIN MIN THICK.
3. FINISH: GOLD PLATE 30uIN MIN THICK.
4. FINISH: SILVER PLATE 500uIN MIN THICK.
5. FINISH: SILVER PLATE 200uIN MIN THICK.
6. PLATING NOTES ARE TO BE INTERPRETED AS FOLLOWS, 4-2 AS 4 OVER 2.
7. MATERIAL: CDA172, BeCu.
8. MATERIAL: STAINLESS STEEL.
9. FINISH: GOLD PLATE 50uIN MIN THICK.

△10 PRELIMINARY PART NUMBER.

△11 OBSOLETE PARTS: OBSOLETE CIS STREAMLINING PER D.RENAUD/D.SINISI

| T | L | LH | (FREE DIA) | MAT'L (NOTE) | MATING PIN Ø REF | PLATING NOTE NO. | NUM LOUV | MAT'L THK | REF | PART NO. | | | |
|-----|------|--------|------------|--------------|------------------|------------------|----------|-----------|------|----------|------------|------------|----------------|
| 15° | .690 | [.050] | [0.69] | 6 | 12.7 | [.500] | 9-2 | 16 | 0.15 | [.006] | -- | 5-192033-3 | OBSOLETE |
| 15° | .690 | [.052] | [1.18] | 6 | -- | | PREPL | 32 | 0.20 | [.008] | -- | 5-192033-2 | |
| 15° | .690 | [.052] | [4.00] | 7 | -- | | 5-2 | 150 | 0.20 | [.008] | -- | 5-192033-1 | OBSOLETE △11 |
| 45° | .700 | [.052] | [.95] | 7 | -- | | 5-2 | 25 | 0.20 | [.008] | -- | 5-192033-0 | OBSOLETE |
| 15° | .69 | [.052] | [.90] | 7 | -- | | 5-2 | 22 | 0.20 | [.008] | -- | 4-192033-9 | |
| 15° | .69 | [.052] | [.55] | 7 | -- | | 5-2 | 13 | 0.20 | [.008] | -- | 4-192033-8 | OBSOLETE △11 |
| 15° | .69 | [.050] | [3.00] | 7 | 26.21 | [1.032] | UNPL | 41 | 0.10 | [.004] | -- | 4-192033-7 | OBSOLETE |
| 15° | .69 | [.050] | [.99] | 7 | 20.32 | [.800] | UNPL | 26 | 0.15 | [.006] | -- | 4-192033-6 | |
| 15° | .69 | [.050] | [1.35] | 7 | 28.57 | [1.125] | | 5 | 0.10 | [.004] | -- | 4-192033-5 | OBSOLETE |
| 45° | .70 | [.050] | [4.00] | 7 | 44.45 | [1.750] | | 5 | 0.15 | [.006] | -- | 4-192033-4 | OBSOLETE |
| 45° | .70 | [.050] | [.95] | 7 | 20.06 | [.790] | -- | 25 | 0.15 | [.006] | 01321 | 4-192033-3 | OBSOLETE |
| 45° | .70 | [.050] | [3.00] | 7 | 34.92 | [1.375] | | 5 | 0.15 | [.006] | 01230 | 4-192033-2 | OBSOLETE |
| 15° | .69 | [.050] | [3.00] | 7 | 34.92 | [1.375] | | 5 | 0.15 | [.006] | 01229 | 4-192033-1 | |
| 15° | .69 | [.050] | [3.00] | 7 | 34.92 | [1.375] | | 5 | 0.10 | [.004] | 01199 | 4-192033-0 | |
| 15° | .69 | [.050] | [3.00] | 7 | 33.40 | [1.315] | | 5 | 0.15 | [.006] | 01233 | 3-192033-9 | OBSOLETE △11 |
| | | | | | | | | | | 01306 | 3-192033-8 | | |
| 15° | .69 | [.050] | [3.00] | 7 | 32.25 | [1.270] | 4-2 | 41 | 0.15 | [.006] | 01262 | 3-192033-7 | OBSOLETE |
| 15° | .69 | [.050] | [3.00] | 7 | 32.25 | [1.270] | | 5 | 0.15 | [.006] | 01260 | 3-192033-6 | |
| 15° | .69 | [.050] | [1.02] | 7 | 22.22 | [.875] | UNPL | 27 | 0.15 | [.006] | -- | 3-192033-5 | |
| 15° | .69 | [.050] | [1.50] | 7 | 31.75 | [1.250] | | 5 | 0.15 | [.006] | 01232 | 3-192033-4 | OBSOLETE |
| 15° | .69 | [.050] | [3.00] | 7 | 30.15 | [1.187] | | L | 0.15 | [.006] | 01192 | 3-192033-3 | OBSOLETE △11 |
| 15° | .69 | [.050] | [2.50] | 7 | 26.21 | [1.032] | 4-2 | 32 | 0.10 | [.004] | 01261 | 3-192033-2 | OBSOLETE |
| | | | | | | | | | | -- | 3-192033-1 | | OBSOLETE |
| 15° | .69 | [.050] | [2.50] | 7 | 26.21 | [1.032] | | 5 | 0.10 | [.004] | 01185 | 3-192033-0 | OBSOLETE △11 |
| 15° | .69 | [.050] | [2.50] | 7 | 26.21 | [1.032] | UNPL | 32 | 0.10 | [.004] | 01265 | 2-192033-9 | |
| 45° | .70 | [.050] | [1.18] | 7 | 25.40 | [1.000] | | 5 | 0.15 | [.006] | 01179 | 2-192033-8 | OBSOLETE |
| 15° | .69 | [.050] | [1.15] | 8 | 25.40 | [1.000] | UNPL | 31 | 0.15 | [.006] | 01269 | 2-192033-7 | |
| 15° | .69 | [.050] | [1.15] | 7 | 25.40 | [1.000] | | 5 | 0.15 | [.006] | 01175 | 2-192033-6 | |
| | | | | | | | | | | 01174 | 2-192033-5 | | OBSOLETE |
| 15° | .69 | [.050] | [1.15] | 7 | 24.13 | [.950] | UNPL | 31 | 0.15 | [.006] | 01173 | 2-192033-4 | OBSOLETE △11 |
| 15° | .69 | [.050] | [1.11] | 7 | 23.36 | [.920] | | 5 | 0.15 | [.006] | -- | 2-192033-3 | OBSOLETE |
| 15° | .69 | -- | -- | -- | -- | -- | -- | -- | -- | 01254 | 2-192033-2 | OBSOLETE | |
| 15° | .69 | [.052] | [1.05] | 7 | 22.22 | [.875] | | 5 | 0.20 | [.008] | 01168 | 2-192033-1 | OBSOLETE △11 |
| 15° | .69 | [.050] | [1.05] | 7 | 22.22 | [.875] | | 5 | 0.15 | [.006] | 01167 | 2-192033-0 | |
| 15° | .69 | [.050] | [1.02] | 7 | 22.22 | [.875] | 3-2 | 27 | 0.15 | [.006] | 01310 | 1-192033-9 | |
| | | | | | | | | | | 01250 | 1-192033-8 | | SUPERSEDED △11 |
| | | | | | | | | | | 01251 | 1-192033-7 | | OBSOLETE |
| | | | | | | | | | | 01253 | 1-192033-6 | | OBSOLETE |
| 15° | .69 | [.050] | [2.00] | 7 | 22.22 | [.875] | | 5 | 0.10 | [.004] | 01257 | 1-192033-5 | OBSOLETE △11 |
| 15° | .69 | [.050] | [1.02] | 7 | 22.22 | [.875] | UNPL | 27 | 0.10 | [.004] | 01256 | 1-192033-4 | OBSOLETE |
| | | | | | | | | | | 01267 | 1-192033-3 | | OBSOLETE |
| | | | | | | | | | | 01204 | 1-192033-2 | | OBSOLETE △11 |
| | | | | | | | | | | 01166 | 1-192033-1 | | OBSOLETE |
| 15° | .69 | [.050] | [1.02] | 7 | 21.38 | [.842] | | 5 | 0.15 | [.006] | 01164 | 1-192033-0 | OBSOLETE |
| 15° | .69 | [.050] | [.99] | 7 | 21.38 | [.842] | | 5 | 0.15 | [.006] | 01287 | 192033-9 | OBSOLETE △11 |
| 15° | .69 | [.050] | [.95] | 7 | 20.62 | [.812] | | 5 | 0.15 | [.006] | 01252 | 192033-8 | OBSOLETE |
| | | | [.99] | 7 | 20.32 | [.800] | 1-2 | 26 | 0.15 | [.006] | 01239 | 192033-7 | OBSOLETE |
| 15° | .69 | [.052] | [.95] | 7 | 20.0 | [.787] | | 5 | 0.20 | [.008] | 01161 | 192033-6 | OBSOLETE △11 |
| 15° | .69 | [.050] | [.95] | 7 | 20.0 | [.787] | | 5 | 0.15 | [.006] | 01314 | 192033-5 | OBSOLETE |
| | | | | | | | | | | 01156 | 192033-4 | | OBSOLETE △11 |
| 15° | .69 | [.052] | [.92] | 7 | 19.05 | [.750] | | 5 | 0.20 | [.008] | 01155 | 192033-3 | OBSOLETE |
| 15° | .69 | [.052] | [.92] | 7 | 19.05 | [.750] | UNPL | 24 | 0.20 | [.008] | 01224 | 192033-2 | OBSOLETE △11 |
| 15° | .69 | [.052] | [.90] | 7 | 19.05 | [.750] | | 5 | 0.20 | [.008] | 01249 | 192033-1 | OBSOLETE |

| | | | | |
|----------------------------------------|--|-----------------------|-------------------------------------------------------------|--|
| THIS DRAWING IS A CONTROLLED DOCUMENT. | | DWN RA JAYNE 07-24-92 | TE Connectivity | |
| DIMENSIONS: INCHES | | CHK - | | |
| TOLERANCES UNLESS OTHERWISE SPECIFIED: | | APVD - | NAME CONTACT BAND,FEMALE | |
| 0 PLC ± - | | PRODUCT SPEC - | | |
| 1 PLC ± - | | APPLICATION SPEC - | SIZE A2 CAGE CODE 00779 DRAWING NO C=192033 RESTRICTED TO - | |
| 2 PLC ± 0.25[.01] | | WEIGHT - | | |
| 3 PLC ± 0.125[.005] | | SCALE NTS | SHEET 1 OF 1 REV H | |
| 4 PLC ± - | | CUSTOMER DRAWING | | |
| MATERIAL SEE TABLE | | FINISH SEE TABLE | | |

X-ON Electronics

Largest Supplier of Electrical and Electronic Components

Click to view similar products for [Heavy Duty Power Connectors](#) category:

Click to view products by [TE Connectivity](#) manufacturer:

Other Similar products are found below :

[647757-1](#) [6643411-1](#) [6646058-2](#) [6646137-1](#) [6646138-1](#) [6646479-1](#) [6646608-1](#) [6646786-1](#) [6646940-1](#) [6651091-1](#) [6651525-1](#) [6651529-1](#)
[6651788-1](#) [696475-1](#) [702-32-01109](#) [703-25-02205](#) [73000005059](#) [73000005642](#) [73080255059](#) [73080965046](#) [765-15-0080A](#) [765-16-0080B](#)
[765-18-0080D](#) [829992-1](#) [902-77-02113](#) [PS00/A0620/6300](#) [PS25/A0420/63](#) [129-1J](#) [1409400](#) [AN0024023](#) [E6374G1](#) [e6389g2](#) [157-43GW8](#)
[MS3117-14AC](#) [1643543-1](#) [1650540-1](#) [1651811-2](#) [1766260-1](#) [1766282-1](#) [1766966-1](#) [1791340000](#) [NLDFT-3-BL-L-S120-M40A](#) [NLDFT-N-](#)
[W-L-C240-M40B](#) [NLS-2-R-C240-M40B](#) [NLS-N-W-C240-M40B](#) [NPS-3-BL-T6](#) [1986615-1](#) [2-1589900-8](#) [2199314-1](#) [KA8102](#)