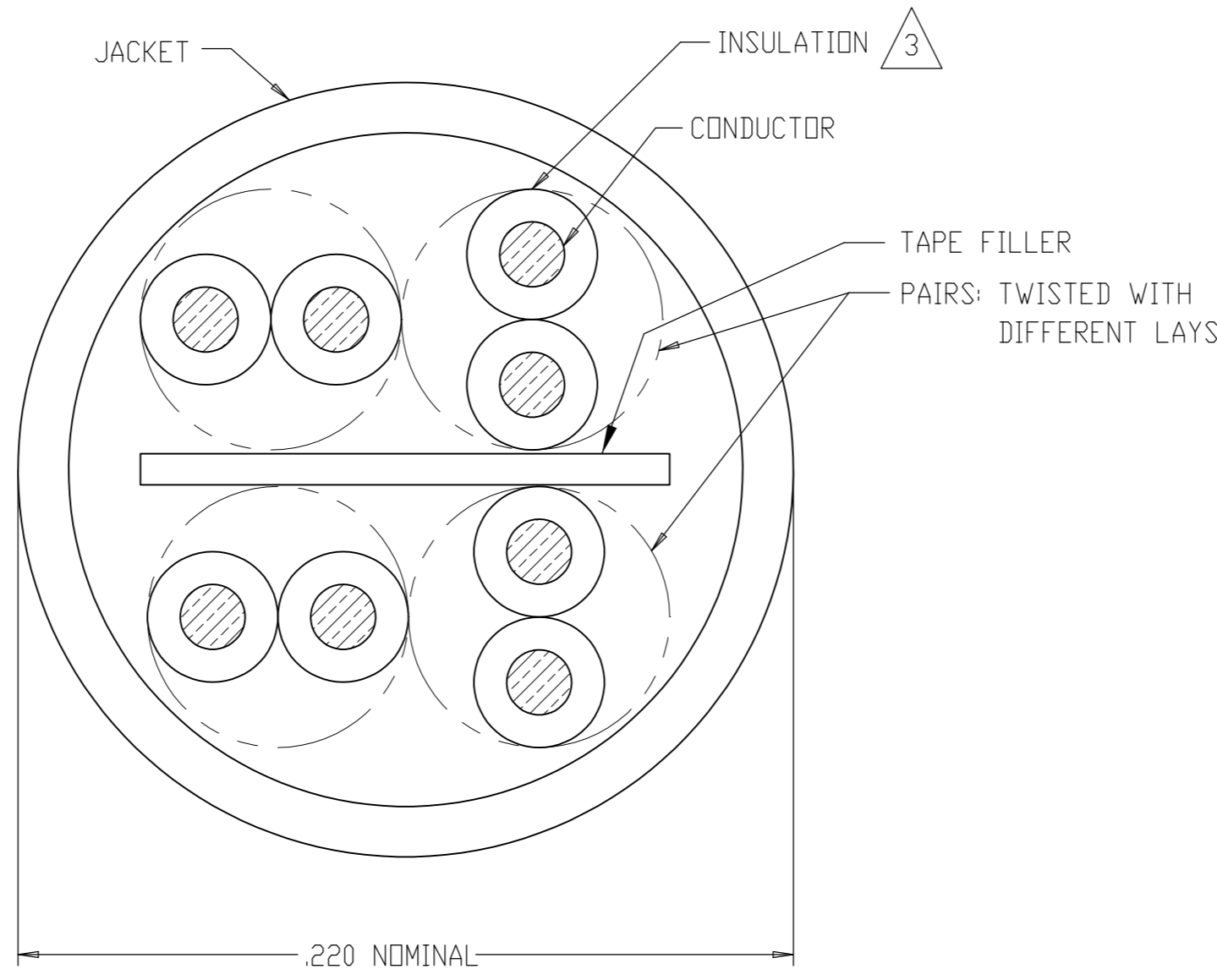


THIS DRAWING IS UNPUBLISHED. RELEASED FOR PUBLICATION
 © COPYRIGHT By - ALL RIGHTS RESERVED.

FINISHED CABLE DATA		
CONDUCTORS	WIRE AWG	24 AWG SOLID
	MATERIAL	SOLID BARE COPPER ²
INSULATION	MATERIAL	POLYOLEFIN ²
JACKET	MATERIAL	FR PVC ²
FILLER	MATERIAL	POLYOLEFIN

COLOR CODE

PAIR	COLOR CODE
1	WHT-BLU/BLU
2	WHT-ORG/ORG
3	WHT-GRN/GRN
4	WHT-BRN/BRN



LOC	DIST	REVISIONS					
EH	00	P	LTR	DESCRIPTION	DATE	DWN	APVD
		WW		REV PER ECO-13-001065	11FEB2013	JM	LH

- ¹ SEQUENTIAL FOOTAGE RETURNED TO ZERO FOR EACH LENGTH. ON PUTUP LENGTHS 3000 FT OR LESS.
- ² MATERIALS ARE SELECTED BASED ON THEIR ABILITY TO CONFORM TO UL 444 LATEST ISSUE.
- ³ XX = JACKET COLOR - BL = BLUE, WT = WHITE, GY = GRAY, GN = GREEN, YL = YELLOW, OR = ORANGE, RD = RED, VT = VIOLET, BK = BLACK.
- 4. PRINT COLOR SHALL BE DARK BLUE, EXCEPT WHITE ON BLACK JACKET.
- ⁵ DATE CODE.
- 6. GOVERNING SPECIFICATIONS - LATEST REVISIONS
 NEC 800
 UL444 CMR
 TIA 568-C.2 CAT 6
- ⁷ REPLACE "02" FOR THE FOLLOWING FOOTAGES:
 04=2000', 05=2500', CALL FOR ADDITIONAL OPTIONS.

CATALOG NUMBER	WEIGHT		PACKAGING
	LBS/KFT	KG/KM	
TE62DR-XX02	28	42	1,000' REEL
TE62DR-XXRB	29	44	1,000' REEL IN A BOX
TE62DR-XXII	27	41	1,000' REELEX

LEGEND TO BE REPEATED EVERY 24±.25'

() TE CONNECTIVITY 620 SERIES 4/24 AWG T256 CMR C(UL)US ETL VERIFIED TIA-568-C.2 CAT 6 PAT 6153826 XXXX FT

THIS DRAWING IS A CONTROLLED DOCUMENT.		DWN	L.D.SIMPSON 03AUG2001	
DIMENSIONS: INCHES		CHK	R.SPEER 09JUN00	
TOLERANCES UNLESS OTHERWISE SPECIFIED:		APVD	R.SPEER 09JUN00	
0 PLC ±		PRODUCT SPEC	NAME	
1 PLC ± .1		APPLICATION SPEC	CABLE CATEGORY 6, 4UTP, 24 AWG, CMR	
2 PLC ± .02		WEIGHT	SIZE	CAGE CODE
3 PLC ± .005		FINISH	A2	00779
4 PLC ± .0005		CUSTOMER DRAWING	SCALE	DRAWING NO
ANGLES ±		SCALE	NTS	SHEET 1 of 1
MATERIAL		SCALE	NTS	REV W

X-ON Electronics

Largest Supplier of Electrical and Electronic Components

Click to view similar products for [Multi-Conductor Cables](#) category:

Click to view products by [TE Connectivity](#) manufacturer:

Other Similar products are found below :

[8916-GRY-100](#) [8917-BLK-100](#) [8917-GRN/YEL-100](#) [8918-GRN/YEL-100](#) [8920-BRN-1000](#) [8920-RED-1000](#) [89907-LT-DEC/GRY-500](#)
[CR3909-000](#) [CR3927-000](#) [01342.35T.01](#) [01364.35T.01](#) [003201-000](#) [CS2885-000](#) [CS8782-000](#) [CS9912-000](#) [6200UE-NAT-U1000](#) [CTC-](#)
[0062-20-9/5-9](#) [CTC-0062-22-9/5-9](#) [6304FE-877-U500](#) [6309UE-877-1000](#) [6320UE-NAT-U1000](#) [644833-000](#) [6502FE 8771000](#) [6504UE-877-](#)
[U1000](#) [CW9530-000](#) [CX6543-000](#) [CXA-0066-20-4-9CS2973](#) [CXA-0078-16-1-9CS2405](#) [CXA-0078-22-4-9CS2405](#) [CXA-0078-24-4-](#)
[9CS2405](#) [CXA-0140-16-6/9-9CS2405](#) [CY0660-000](#) [706/2R-BLACK-EACH](#) [720451-000](#) [730859-000](#) [MCC-USB-4-250](#) [752687-000](#)
[768146-000](#) [773159-000](#) [7934A-BLK-1000](#) [8125-CHR-100](#) [8164-CHR-1000](#) [820457-000](#) [8205-CHR-1000](#) [8240-BLK-U1000](#) [82723-NAT-](#)
[1000](#) [82907-NAT-500](#) [83003-YEL-500](#) [83005-WHT-500](#) [83006-DK-GRN-100](#)