

THIS DRAWING IS UNPUBLISHED.

RELEASED FOR PUBLICATION

ALL RIGHTS RESERVED.

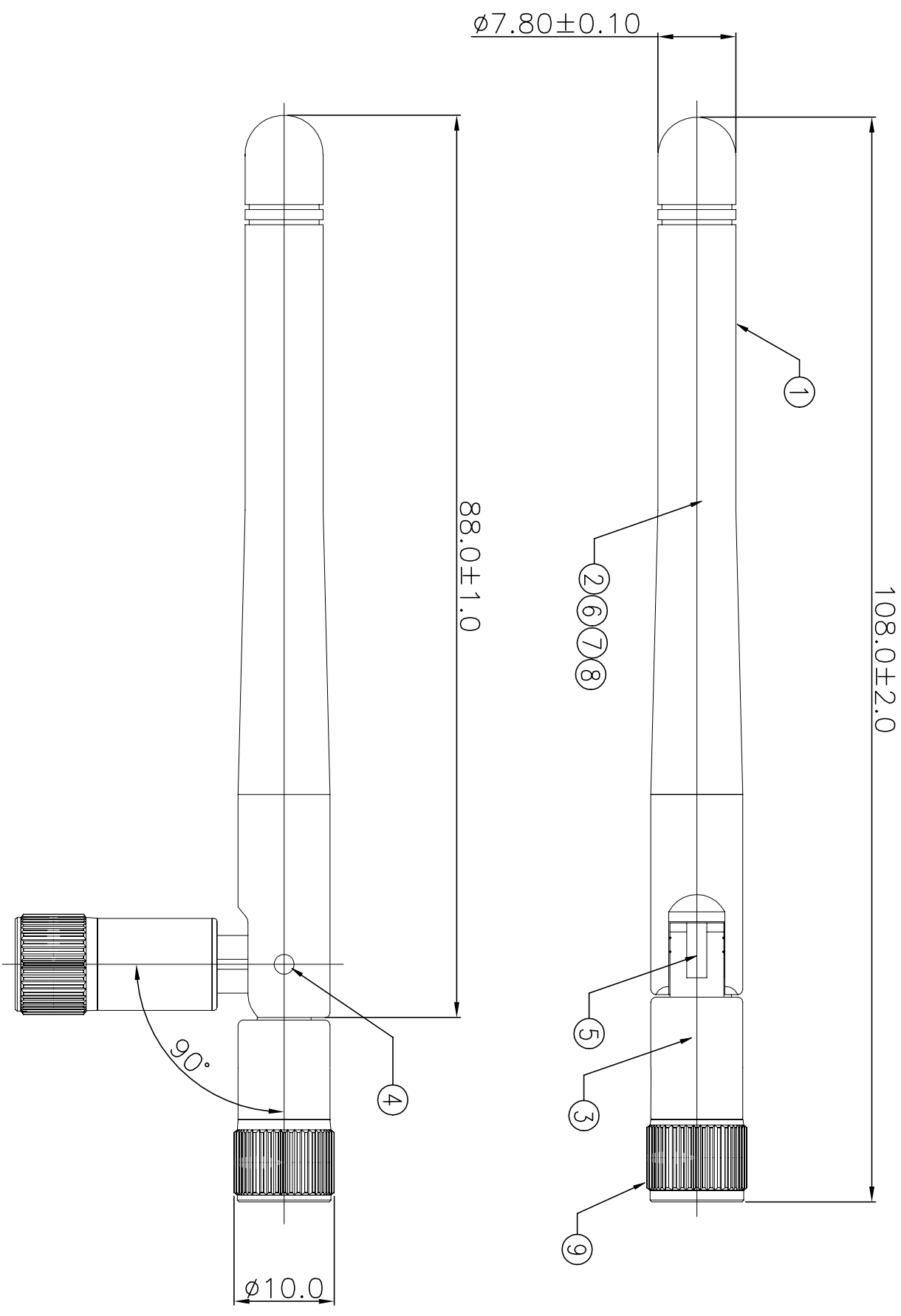
© COPYRIGHT - By -

REVISIONS

P	LTR	DESCRIPTION	DATE	DWN	APVD
A2		UPDATE STORAGE TEMP.	27NOV2020	DC	AC

NOTES:

- 1.Frequency: 2.4~2.5GHz&5.15~5.85GHz
- 2.VSWR:2.0 Max
- 3.Gain: 2.0dBi
- 4.Impedance: 50 ohm
- 5.Polarization: Vertical
- 6.Operating temperature: -30°C to +70°C
- 7.Storage temperature: -30°C to +70°C
- 8.PRODUCT AND PROCESSING MUST MEET REQUIREMENTS OF TEC-138-702.

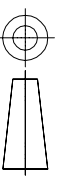


PART NUMBER 2195630-1

ITEM	NAME	MATERIAL	QTY
⑨	CONN	2dBi SMA conn. material:brass with black	1PC
⑧	Tube	φ4.5 heat shrinkable sleeve,color:black,L=17mm	1PC
⑦	Copper Tube2	Grounding copper pipe: φ4.5*23mm*Hole location 1.0	1PC
⑥	Copper Tubel	Grounding copper pipe: φ4.5*22mm*Hole location 1.5	1PC
⑤	Cable	RG178 Tinned wire cable,L=52mm color:Brown	1PC
④	Rivet	2dBi POM rivet(black)	2PC
③	Buttom Base	Buckle material:PC(black)button on the fixing seat(black)	1PC
②	Upper Base	On the fixed seat diameterφ9.45*20mm(black)	1PC
①	Antenna Cap	2dBi φ9.3*68mm black rod sleeve TPEE(black)	1PC

THIS DRAWING IS A CONTROLLED DOCUMENT.

DIMENSIONS: mm



TOLERANCES UNLESS OTHERWISE SPECIFIED:

- 0 PLC ± -
- 1 PLC ± 0.2
- 2 PLC ± 0.10
- 3 PLC ± 0.05
- 4 PLC ± - ± 0.5° ANGLES



TE Connectivity

2.4-5.8GHz 2.0dBi WiFi Antenna

DWN	19FEB2020	NAME	
DC	19FEB2020	APVD	AMOS CHEAH
CHK	SHIN HOO	PRODUCT SPEC	
	19FEB2020	APPLICATION SPEC	
		WEIGHT	0
		CUSTOMER DRAWING	
		SIZE	A3
		CAGE CODE	00779
		DRAWING NO	2195630
		SCALE	1:1
		SHEET	1 OF 1
		REV	A2

X-ON Electronics

Largest Supplier of Electrical and Electronic Components

Click to view similar products for [Antennas](#) category:

Click to view products by [TE Connectivity](#) manufacturer:

Other Similar products are found below :

[GAN30084EU](#) [930-033-R](#) [GW17.07.0250E](#) [1513563-1](#) [EXE902SM](#) [APAMPG-117](#) [MAF94383](#) [W3908B0100](#) [W6102B0100](#) [YE572113-30RSMM](#) [108-00014-50](#) [66089-2406](#) [SPDA17RP918](#) [A09-F8NF-M](#) [A09-F5NF-M](#) [RGFRA1903041A1T](#) [W3593B0100](#) [W3921B0100](#) [SIMNA-868](#) [SIMNA-915](#) [SIMNA-433](#) [W1044](#) [W1049B090](#) [A75-001](#) [WTL2449CQ1-FRSMM](#) [CPL9C](#) [EXB148BN](#) [0600-00060](#) [TRA9020S3PBN-001](#) [Y4503](#) [GD5W-28P-NF](#) [MA9-7N](#) [GD53-25](#) [GD5W-21P-NF](#) [C37](#) [MAF94051](#) [MA9-5N](#) [EXD420PL](#) [B1322NR](#) [QWFTB120](#) [MAF94271](#) [MAF94300](#) [GPSMB301](#) [FG4403](#) [AO-AGSM-OM54](#) [5200232](#) [MIKROE-2349](#) [WCM.01.0111](#) [MIKROE-2393](#) [MIKROE-2352](#)