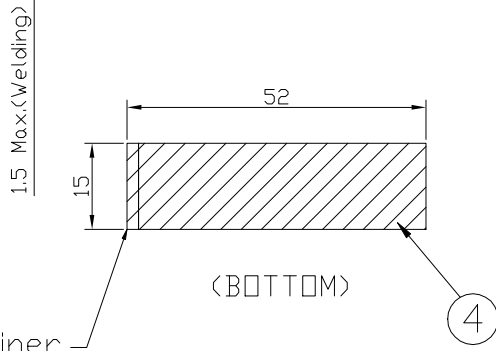
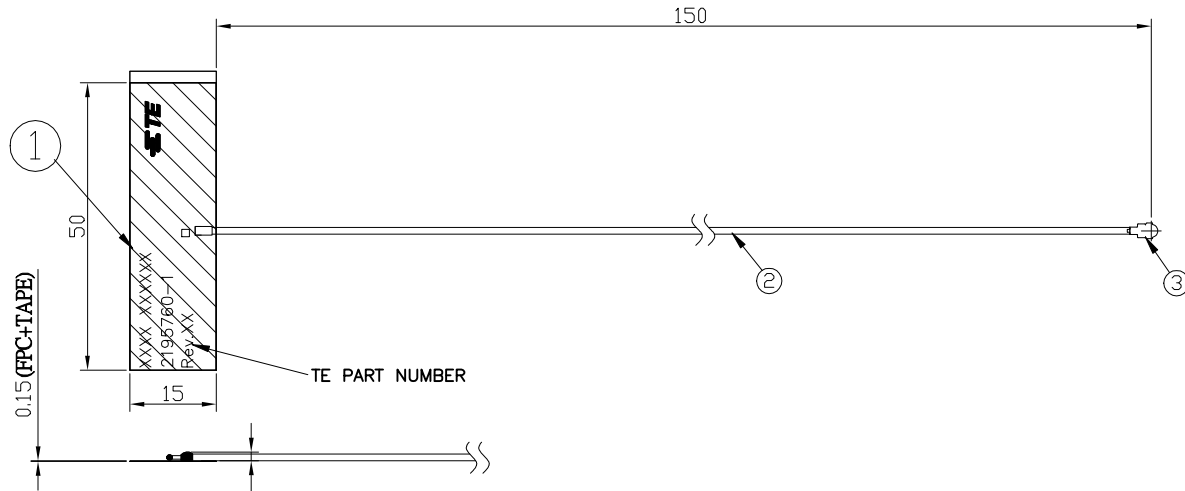


REVISIONS				
P	L/R	DESCRIPTION	DATE	DRN / APVD
A		Go to production status	14JAN2019	PH AC



4	TAPE	SIZE:50*15*0.15mm	1
3	CONN.	I-PEX Plug CONN FOR Ø1.13	1
2	CABLE	COAXIAL CABLE ,Ø1.13mm,BLACK	1
1	ANTENNA	FPC	1
NO.	ITEM	SPECIFICATION	QTY

NOTES:

- MATERIALS : REFER TO TABLE.
- A: ALL MATERIALS, COMPONENTS AND PROCESSES SHALL COMPLY WITH TEC-138-702 (CONTAINS NO BANNED OR RESTRICTED SUBSTANCES)
 B: NO REACH SVHC SHALL BE CONTAINED ABOVE THE THRESHOLD AS DEFINED IN REACH SVHC
 C: LOW HALOGEN: CODE 2(Br<900PPM, Cl<900PPM, Br+Cl<1500PPM PER HOMOGENEOUS MATERIAL) COMPLIANCE DEFINITION IN ANNEX A OF TEC-138-702
- CONTACT TE CONNECTIVITY ENGINEERING PRIOR TO DESIGNING INTO AN APPLICATION

TE PN 2195760-1

THIS DRAWING IS A CONTROLLED DOCUMENT.		DRN PAUL HUANG 20DEC2018																									
DIMENSIONS: mm		CHK AMOS CHEAH 20DEC2018																									
TOLERANCES UNLESS OTHERWISE SPECIFIED:		APVD AMOS CHEAH 20DEC2018	NAME GNSS+WLAN_53x16_L150																								
<table border="1"> <tr><td>0</td><td>PLC</td><td>±</td><td>-</td></tr> <tr><td>1</td><td>PLC</td><td>±</td><td>-</td></tr> <tr><td>2</td><td>PLC</td><td>±</td><td>-</td></tr> <tr><td>3</td><td>PLC</td><td>±</td><td>-</td></tr> <tr><td>4</td><td>PLC</td><td>±</td><td>-</td></tr> <tr><td colspan="2">ANGLES</td><td>±</td><td>-</td></tr> </table>		0	PLC	±	-	1	PLC	±	-	2	PLC	±	-	3	PLC	±	-	4	PLC	±	-	ANGLES		±	-	PRODUCT SPEC	
0	PLC	±	-																								
1	PLC	±	-																								
2	PLC	±	-																								
3	PLC	±	-																								
4	PLC	±	-																								
ANGLES		±	-																								
MATERIAL		APPLICATION SPEC		RESTRICTED TO																							
FINISH		WEIGHT		SIZE CAGE CODE DRAWING NO																							
		A2 00779 C-2195760		SCALE 1:1 SHEET 1 of 1 REV A																							
		CUSTOMER DRAWING																									

X-ON Electronics

Largest Supplier of Electrical and Electronic Components

Click to view similar products for [Antennas](#) category:

Click to view products by [TE Connectivity](#) manufacturer:

Other Similar products are found below :

[GAN30084EU](#) [930-033-R](#) [GW17.07.0250E](#) [1513563-1](#) [EXE902SM](#) [APAMPG-117](#) [MAF94383](#) [W3908B0100](#) [W6102B0100](#) [YE572113-30RSMM](#) [108-00014-50](#) [66089-2406](#) [SPDA17RP918](#) [A09-F8NF-M](#) [A09-F5NF-M](#) [RGFRA1903041A1T](#) [W3525BW100](#) [W3593B0100](#) [W3921B0100](#) [SIMNA-868](#) [SIMNA-915](#) [SIMNA-433](#) [W1044](#) [W1049B090](#) [A75-001](#) [WTL2449CQ1-FRSMM](#) [CPL9C](#) [EXB148BN](#) [0600-00060](#) [TRA9020S3PBN-001](#) [Y4503](#) [GD5W-28P-NF](#) [MA9-7N](#) [GD53-25](#) [GD5W-21P-NF](#) [C37](#) [MAF94051](#) [MA9-5N](#) [EXD420PL](#) [B1322NR](#) [QWFTB120](#) [MAF94271](#) [MAF94300](#) [GPSMB301](#) [FG4403](#) [AO-AGSM-OM54](#) [5200232](#) [MIKROE-2349](#) [WCM.01.0111](#) [MIKROE-2393](#)