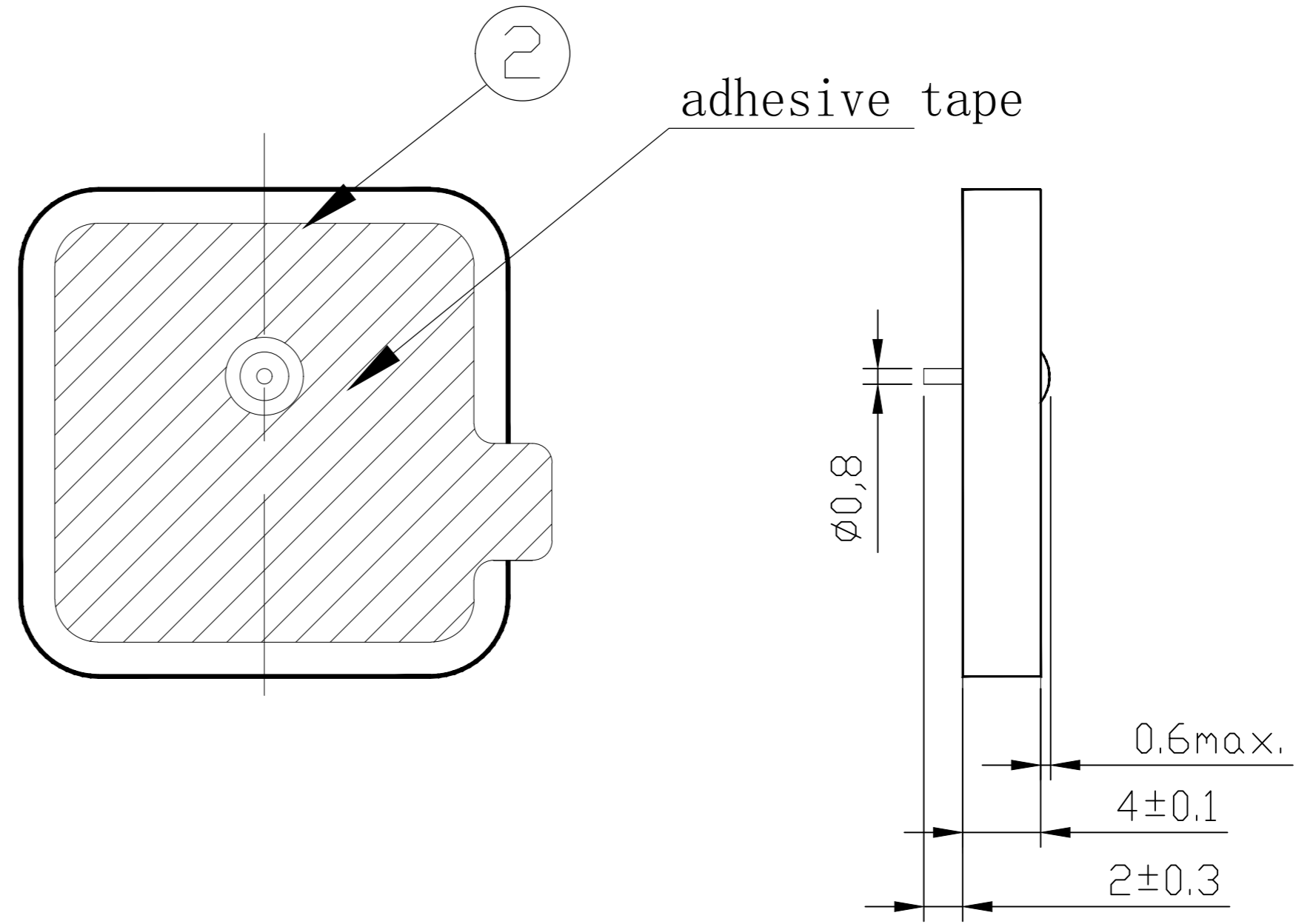
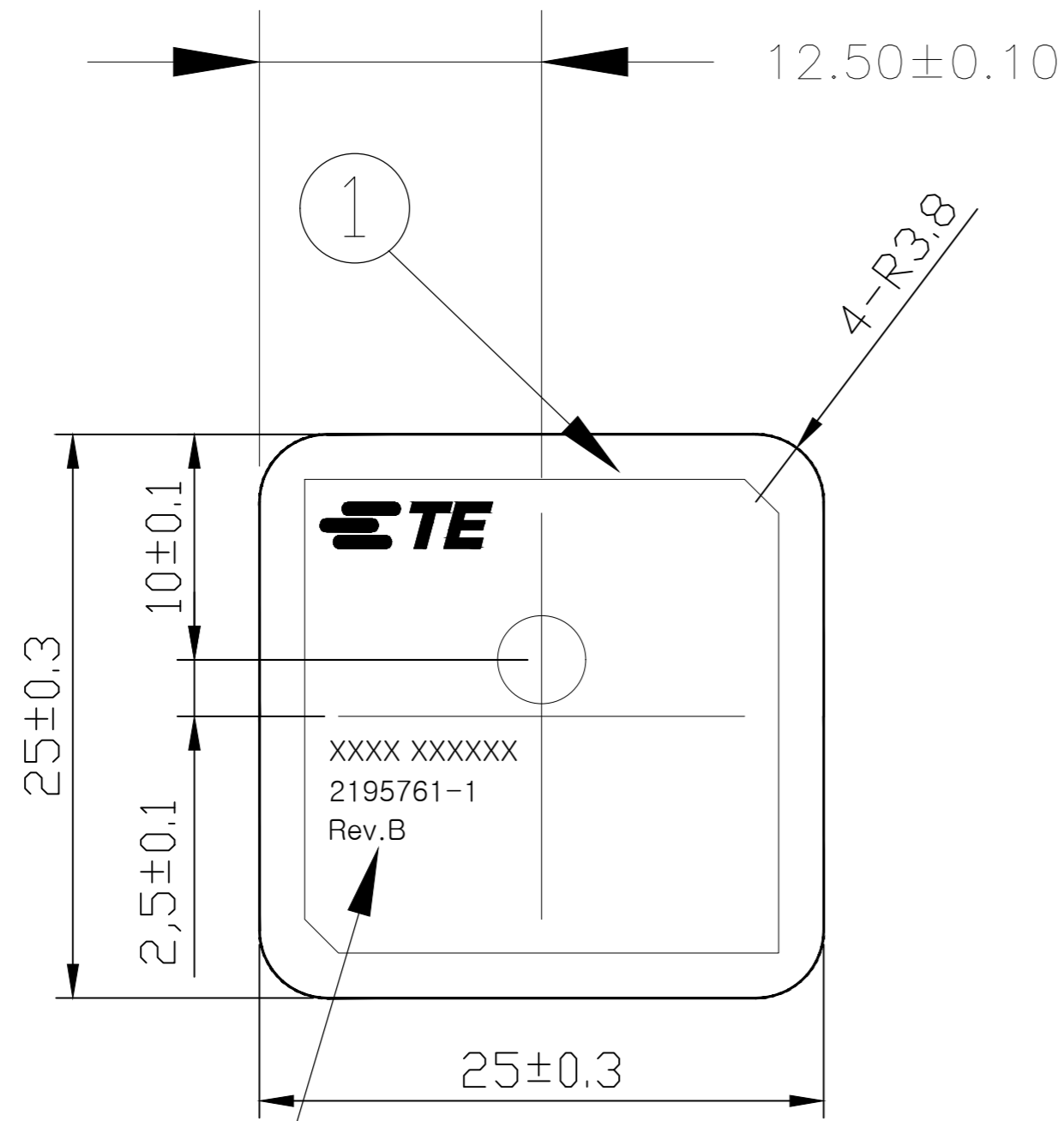


THIS DRAWING IS UNPUBLISHED. RELEASED FOR PUBLICATION
 © COPYRIGHT - TE Connectivity ALL RIGHTS RESERVED.

REVISIONS				
P	LTR	DESCRIPTION	DATE	APVD
C		UPDATE PIN LOCATION DIMENSION	06AUG2020	DC AC



TE LOGO & TE PN PRINT

2	TAPE	TWIN ADHESIVE	1
1	CERAMIC	SIZE: 25*25*4mm	1
NO.	ITEM	SPECIFICATION	QT'Y

TE PN 2195761-1

NOTES:

- MATERIALS : REFER TO TABLE.
- A: ALL MATERIALS, COMPONENTS AND PROCESSES SHALL COMPLY WITH TEC-138-702 (CONTAINS NO BANNED OR RESTRICTED SUBSTANCES)
 B: NO REACH SVHC SHALL BE CONTAINED ABOVE THE THRESHOLD AS DEFINED IN REACH SVHC
 C: LOW HALOGEN: CODE 2(Br<900PPM, Cl<900PPM, Br+Cl<1500PPM PER HOMOGENEOUS MATERIAL) COMPLIANCE DEFINITION IN ANNEX A OF TEC-138-702
- CONTACT TE CONNECTIVITY ENGINEERING PRIOR TO DESIGNING INTO AN APPLICATION

THIS DRAWING IS A CONTROLLED DOCUMENT.		DWN PAUL HUANG 20DEC2018	TE TE Connectivity	
DIMENSIONS: mm		CHK AMOS CHEAH 20DEC2018		
TOLERANCES UNLESS OTHERWISE SPECIFIED:		APVD AMOS CHEAH 20DEC2018	NAME GNS5_25x25	
0 PLC ± -		PRODUCT SPEC	SIZE A2	
1 PLC ± -		APPLICATION SPEC	CAGE CODE 00779	DRAWING NO. C=2195761
2 PLC ± -		WEIGHT -	RESTRICTED TO -	
3 PLC ± -		MATERIAL -	SCALE 1:1	SHEET 1 of 1
4 PLC ± -		FINISH -	REV C	
ANGLES ± -		CUSTOMER DRAWING		

X-ON Electronics

Largest Supplier of Electrical and Electronic Components

Click to view similar products for [Antennas](#) category:

Click to view products by [TE Connectivity](#) manufacturer:

Other Similar products are found below :

[GAN30084EU](#) [930-033-R](#) [GW17.07.0250E](#) [1513563-1](#) [EXE902SM](#) [APAMPG-117](#) [MAF94383](#) [W3908B0100](#) [W6102B0100](#) [YE572113-30RSMM](#) [108-00014-50](#) [66089-2406](#) [SPDA17RP918](#) [A09-F8NF-M](#) [A09-F5NF-M](#) [RGFRA1903041A1T](#) [W3593B0100](#) [W3921B0100](#) [SIMNA-868](#) [SIMNA-915](#) [SIMNA-433](#) [W1044](#) [W1049B090](#) [A75-001](#) [WTL2449CQ1-FRSMM](#) [CPL9C](#) [EXB148BN](#) [0600-00060](#) [TRA9020S3PBN-001](#) [GD5W-28P-NF](#) [MA9-7N](#) [GD53-25](#) [GD5W-21P-NF](#) [C37](#) [MAF94051](#) [MA9-5N](#) [EXD420PL](#) [B1322NR](#) [QWFTB120](#) [MAF94271](#) [MAF94300](#) [GPSMB301](#) [FG4403](#) [AO-AGSM-OM54](#) [5200232](#) [MIKROE-2349](#) [WCM.01.0111](#) [MIKROE-2393](#) [MIKROE-2352](#) [MIKROE-2350](#)