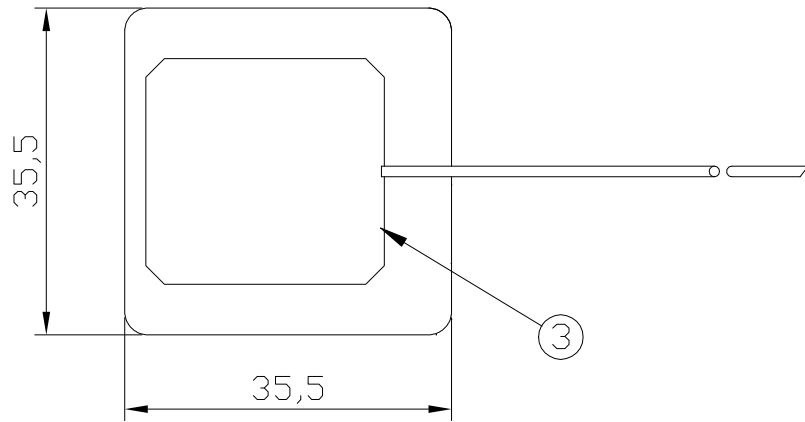


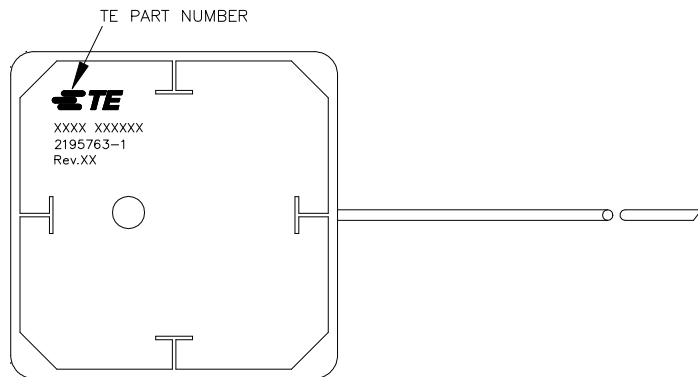
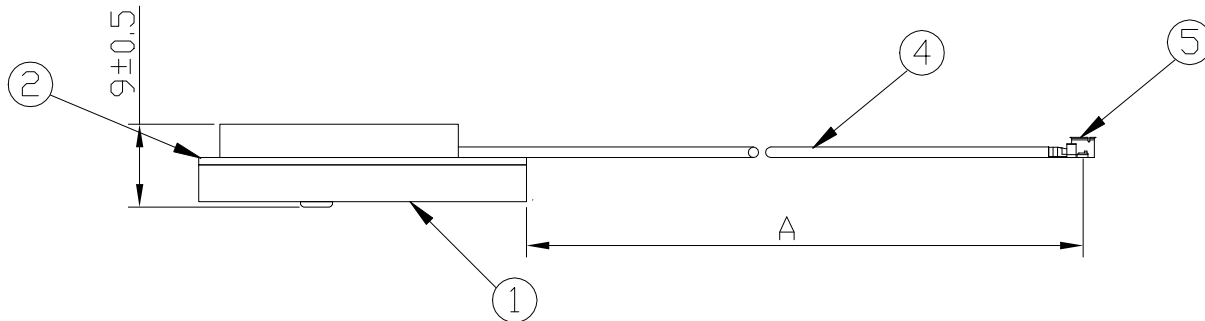
THIS DRAWING IS UNPUBLISHED. RELEASED FOR PUBLICATION  
 © COPYRIGHT - TE Connectivity ALL RIGHTS RESERVED.

REVISIONS				
P	LR	DESCRIPTION	DATE	DRN APVD
A		FIRST RELEASE	14JAN2019	PH AC



NOTES:

1. MATERIALS : REFER TO TABLE.
2. A: ALL MATERIALS, COMPONENTS AND PROCESSES SHALL COMPLY WITH TEC-138-702 (CONTAINS NO BANNED OR RESTRICTED SUBSTANCES)
3. B: NO REACH SVHC SHALL BE CONTAINED ABOVE THE THRESHOLD AS DEFINED IN REACH SVHC
4. C: LOW HALOGEN: CODE 2(Br<900PPM, Cl<900PPM, Br+Cl<1500PPM PER HOMOGENEOUS MATERIAL) COMPLIANCE DEFINITION IN ANNEX A OF TEC-138-702
5. CONTACT TE CONNECTIVITY ENGINEERING PRIOR TO DESIGNING INTO AN APPLICATION



TE PN	2195763-1
-------	-----------

NO.	ITEM	SPECIFICATION	QTY
5	CONNECTOR	I-PEX MHF-20278	1
4	CABLE	COAXIAL CABLE ,OD1.13mm,BLACK	1
3	SHIELDING COVER	SIZE: 25.8*24.4*3.6mm	1
2	PCB	FR4, 35.5x35.5x0.8mm	1
1	CERAMIC	SIZE: 35.5x35.5*4mm	1

THIS DRAWING IS A CONTROLLED DOCUMENT.

DWG: PAUL HAUNG 20DEC2018	
CHK: AMOS CHEAH 20DEC2018	
APVD: AMOS CHEAH 20DEC2018	NAME: GNS5_35x35_L70
PRODUCT SPEC: -	SIZE: A2
APPLICATION SPEC: -	CAGE CODE: 00779
WEIGHT: -	DRAWING NO: C-2195763
MATERIAL: -	FINISH: -
CUSTOMER DRAWING	
SCALE: 1:1	SHEET: 1 of 1
REV: A	

## X-ON Electronics

Largest Supplier of Electrical and Electronic Components

*Click to view similar products for [Antennas](#) category:*

*Click to view products by [TE Connectivity](#) manufacturer:*

Other Similar products are found below :

[GAN30084EU](#) [930-033-R](#) [GW17.07.0250E](#) [1513563-1](#) [EXE902SM](#) [APAMPG-117](#) [MAF94383](#) [W3908B0100](#) [W6102B0100](#) [YE572113-30RSMM](#) [108-00014-50](#) [66089-2406](#) [SPDA17RP918](#) [A09-F8NF-M](#) [A09-F5NF-M](#) [RGFRA1903041A1T](#) [W3593B0100](#) [W3921B0100](#) [SIMNA-868](#) [SIMNA-915](#) [SIMNA-433](#) [W1044](#) [W1049B090](#) [A75-001](#) [WTL2449CQ1-FRSMM](#) [CPL9C](#) [EXB148BN](#) [0600-00060](#) [TRA9020S3PBN-001](#) [Y4503](#) [GD5W-28P-NF](#) [MA9-7N](#) [GD53-25](#) [GD5W-21P-NF](#) [C37](#) [MAF94051](#) [MA9-5N](#) [EXD420PL](#) [B1322NR](#) [QWFTB120](#) [MAF94271](#) [MAF94300](#) [GPSMB301](#) [FG4403](#) [AO-AGSM-OM54](#) [5200232](#) [MIKROE-2349](#) [WCM.01.0111](#) [MIKROE-2393](#) [MIKROE-2352](#)