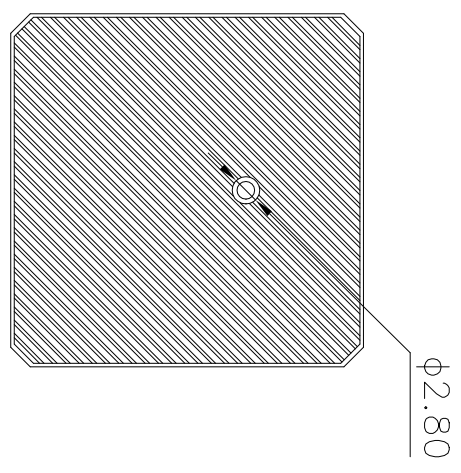
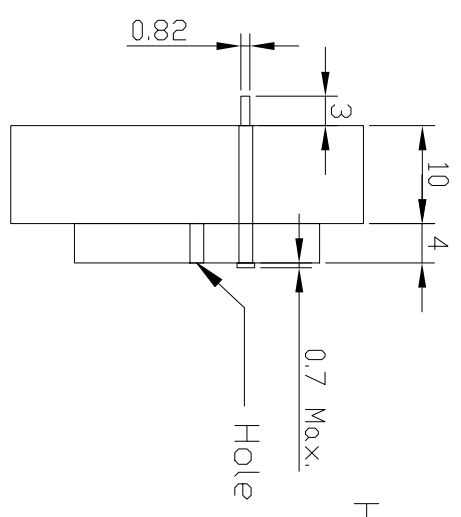


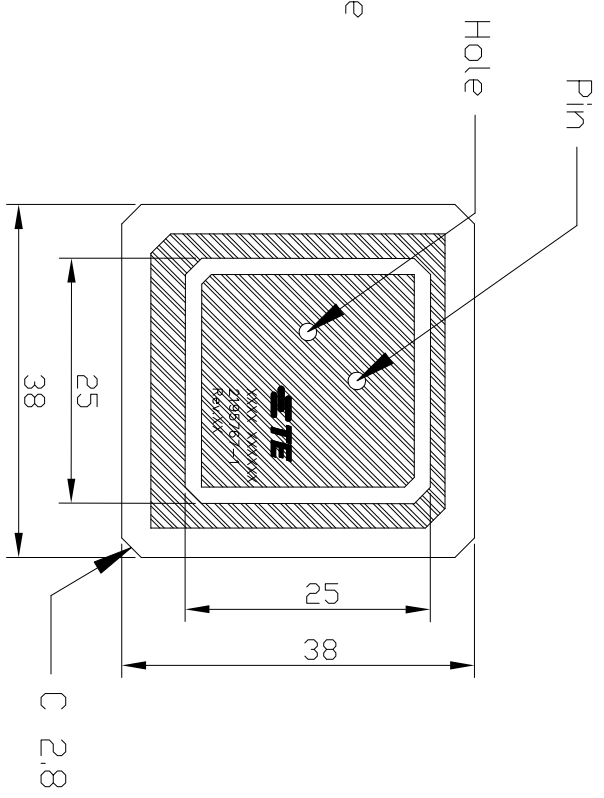
| REVISIONS | | DATE | BY | APP |
|-----------|---------------|-------------|----|-----|
| P | DATE | DESCRIPTION | | |
| 1 | FIRST RELEASE | 22082018 | PH | AC |



Bottom View



Side View



Top View

Adhesive Tape 32x32mm



- NOTES:
1. MATERIALS : REFER TO TABLE.
 2. A: ALL MATERIALS, COMPONENTS AND PROCESSES SHALL COMPLY WITH TEC-138-702 (CONTAINS NO BANNED OR RESTRICTED SUBSTANCES)
 B: NO REACH SVHC SHALL BE CONTAINED ABOVE THE THRESHOLD AS DEFINED IN REACH SVHC
 C: LOW HALOGEN: CODE 2(Br<900PPM, Cl<900PPM, Br+Cl<1500PPM PER HOMOGENEOUS MATERIAL) COMPLIANCE DEFINITION IN ANNEX A OF TEC-138-702
 3. CONTACT TE CONNECTIVITY ENGINEERING PRIOR TO DESIGNING INTO AN APPLICATION

TE PN 2195767-1

| | | | | | |
|----------------------------------------|--------------------|------|----------|----|------------|
| THIS DRAWING IS A CONTROLLED DOCUMENT. | | DATE | 20262018 | BY | AMQS CHEAH |
| DIMENSIONS: mm | | DATE | 20262018 | BY | AMQS CHEAH |
| TOLERANCES UNLESS SPECIFIED: | | DATE | 20262018 | BY | AMQS CHEAH |
| 0 | ±0.1 | DATE | 20262018 | BY | AMQS CHEAH |
| 1 | ±0.2 | DATE | 20262018 | BY | AMQS CHEAH |
| 2 | ±0.3 | DATE | 20262018 | BY | AMQS CHEAH |
| 3 | ±0.4 | DATE | 20262018 | BY | AMQS CHEAH |
| 4 | ±0.5 | DATE | 20262018 | BY | AMQS CHEAH |
| 5 | ±0.6 | DATE | 20262018 | BY | AMQS CHEAH |
| 6 | ±0.7 | DATE | 20262018 | BY | AMQS CHEAH |
| 7 | ±0.8 | DATE | 20262018 | BY | AMQS CHEAH |
| 8 | ±0.9 | DATE | 20262018 | BY | AMQS CHEAH |
| 9 | ±1.0 | DATE | 20262018 | BY | AMQS CHEAH |
| 10 | ±1.2 | DATE | 20262018 | BY | AMQS CHEAH |
| 11 | ±1.5 | DATE | 20262018 | BY | AMQS CHEAH |
| 12 | ±2.0 | DATE | 20262018 | BY | AMQS CHEAH |
| 13 | ±2.5 | DATE | 20262018 | BY | AMQS CHEAH |
| 14 | ±3.0 | DATE | 20262018 | BY | AMQS CHEAH |
| 15 | ±4.0 | DATE | 20262018 | BY | AMQS CHEAH |
| 16 | ±5.0 | DATE | 20262018 | BY | AMQS CHEAH |
| 17 | ±6.0 | DATE | 20262018 | BY | AMQS CHEAH |
| 18 | ±8.0 | DATE | 20262018 | BY | AMQS CHEAH |
| 19 | ±10.0 | DATE | 20262018 | BY | AMQS CHEAH |
| 20 | ±12.0 | DATE | 20262018 | BY | AMQS CHEAH |
| 21 | ±15.0 | DATE | 20262018 | BY | AMQS CHEAH |
| 22 | ±20.0 | DATE | 20262018 | BY | AMQS CHEAH |
| 23 | ±25.0 | DATE | 20262018 | BY | AMQS CHEAH |
| 24 | ±30.0 | DATE | 20262018 | BY | AMQS CHEAH |
| 25 | ±40.0 | DATE | 20262018 | BY | AMQS CHEAH |
| 26 | ±50.0 | DATE | 20262018 | BY | AMQS CHEAH |
| 27 | ±60.0 | DATE | 20262018 | BY | AMQS CHEAH |
| 28 | ±70.0 | DATE | 20262018 | BY | AMQS CHEAH |
| 29 | ±80.0 | DATE | 20262018 | BY | AMQS CHEAH |
| 30 | ±100.0 | DATE | 20262018 | BY | AMQS CHEAH |
| 31 | ±120.0 | DATE | 20262018 | BY | AMQS CHEAH |
| 32 | ±150.0 | DATE | 20262018 | BY | AMQS CHEAH |
| 33 | ±200.0 | DATE | 20262018 | BY | AMQS CHEAH |
| 34 | ±250.0 | DATE | 20262018 | BY | AMQS CHEAH |
| 35 | ±300.0 | DATE | 20262018 | BY | AMQS CHEAH |
| 36 | ±400.0 | DATE | 20262018 | BY | AMQS CHEAH |
| 37 | ±500.0 | DATE | 20262018 | BY | AMQS CHEAH |
| 38 | ±600.0 | DATE | 20262018 | BY | AMQS CHEAH |
| 39 | ±800.0 | DATE | 20262018 | BY | AMQS CHEAH |
| 40 | ±1000.0 | DATE | 20262018 | BY | AMQS CHEAH |
| 41 | ±1200.0 | DATE | 20262018 | BY | AMQS CHEAH |
| 42 | ±1500.0 | DATE | 20262018 | BY | AMQS CHEAH |
| 43 | ±2000.0 | DATE | 20262018 | BY | AMQS CHEAH |
| 44 | ±2500.0 | DATE | 20262018 | BY | AMQS CHEAH |
| 45 | ±3000.0 | DATE | 20262018 | BY | AMQS CHEAH |
| 46 | ±4000.0 | DATE | 20262018 | BY | AMQS CHEAH |
| 47 | ±5000.0 | DATE | 20262018 | BY | AMQS CHEAH |
| 48 | ±6000.0 | DATE | 20262018 | BY | AMQS CHEAH |
| 49 | ±8000.0 | DATE | 20262018 | BY | AMQS CHEAH |
| 50 | ±10000.0 | DATE | 20262018 | BY | AMQS CHEAH |
| 51 | ±12000.0 | DATE | 20262018 | BY | AMQS CHEAH |
| 52 | ±15000.0 | DATE | 20262018 | BY | AMQS CHEAH |
| 53 | ±20000.0 | DATE | 20262018 | BY | AMQS CHEAH |
| 54 | ±25000.0 | DATE | 20262018 | BY | AMQS CHEAH |
| 55 | ±30000.0 | DATE | 20262018 | BY | AMQS CHEAH |
| 56 | ±40000.0 | DATE | 20262018 | BY | AMQS CHEAH |
| 57 | ±50000.0 | DATE | 20262018 | BY | AMQS CHEAH |
| 58 | ±60000.0 | DATE | 20262018 | BY | AMQS CHEAH |
| 59 | ±80000.0 | DATE | 20262018 | BY | AMQS CHEAH |
| 60 | ±100000.0 | DATE | 20262018 | BY | AMQS CHEAH |
| 61 | ±120000.0 | DATE | 20262018 | BY | AMQS CHEAH |
| 62 | ±150000.0 | DATE | 20262018 | BY | AMQS CHEAH |
| 63 | ±200000.0 | DATE | 20262018 | BY | AMQS CHEAH |
| 64 | ±250000.0 | DATE | 20262018 | BY | AMQS CHEAH |
| 65 | ±300000.0 | DATE | 20262018 | BY | AMQS CHEAH |
| 66 | ±400000.0 | DATE | 20262018 | BY | AMQS CHEAH |
| 67 | ±500000.0 | DATE | 20262018 | BY | AMQS CHEAH |
| 68 | ±600000.0 | DATE | 20262018 | BY | AMQS CHEAH |
| 69 | ±800000.0 | DATE | 20262018 | BY | AMQS CHEAH |
| 70 | ±1000000.0 | DATE | 20262018 | BY | AMQS CHEAH |
| 71 | ±1200000.0 | DATE | 20262018 | BY | AMQS CHEAH |
| 72 | ±1500000.0 | DATE | 20262018 | BY | AMQS CHEAH |
| 73 | ±2000000.0 | DATE | 20262018 | BY | AMQS CHEAH |
| 74 | ±2500000.0 | DATE | 20262018 | BY | AMQS CHEAH |
| 75 | ±3000000.0 | DATE | 20262018 | BY | AMQS CHEAH |
| 76 | ±4000000.0 | DATE | 20262018 | BY | AMQS CHEAH |
| 77 | ±5000000.0 | DATE | 20262018 | BY | AMQS CHEAH |
| 78 | ±6000000.0 | DATE | 20262018 | BY | AMQS CHEAH |
| 79 | ±8000000.0 | DATE | 20262018 | BY | AMQS CHEAH |
| 80 | ±10000000.0 | DATE | 20262018 | BY | AMQS CHEAH |
| 81 | ±12000000.0 | DATE | 20262018 | BY | AMQS CHEAH |
| 82 | ±15000000.0 | DATE | 20262018 | BY | AMQS CHEAH |
| 83 | ±20000000.0 | DATE | 20262018 | BY | AMQS CHEAH |
| 84 | ±25000000.0 | DATE | 20262018 | BY | AMQS CHEAH |
| 85 | ±30000000.0 | DATE | 20262018 | BY | AMQS CHEAH |
| 86 | ±40000000.0 | DATE | 20262018 | BY | AMQS CHEAH |
| 87 | ±50000000.0 | DATE | 20262018 | BY | AMQS CHEAH |
| 88 | ±60000000.0 | DATE | 20262018 | BY | AMQS CHEAH |
| 89 | ±80000000.0 | DATE | 20262018 | BY | AMQS CHEAH |
| 90 | ±100000000.0 | DATE | 20262018 | BY | AMQS CHEAH |
| 91 | ±120000000.0 | DATE | 20262018 | BY | AMQS CHEAH |
| 92 | ±150000000.0 | DATE | 20262018 | BY | AMQS CHEAH |
| 93 | ±200000000.0 | DATE | 20262018 | BY | AMQS CHEAH |
| 94 | ±250000000.0 | DATE | 20262018 | BY | AMQS CHEAH |
| 95 | ±300000000.0 | DATE | 20262018 | BY | AMQS CHEAH |
| 96 | ±400000000.0 | DATE | 20262018 | BY | AMQS CHEAH |
| 97 | ±500000000.0 | DATE | 20262018 | BY | AMQS CHEAH |
| 98 | ±600000000.0 | DATE | 20262018 | BY | AMQS CHEAH |
| 99 | ±800000000.0 | DATE | 20262018 | BY | AMQS CHEAH |
| 100 | ±1000000000.0 | DATE | 20262018 | BY | AMQS CHEAH |
| 101 | ±1200000000.0 | DATE | 20262018 | BY | AMQS CHEAH |
| 102 | ±1500000000.0 | DATE | 20262018 | BY | AMQS CHEAH |
| 103 | ±2000000000.0 | DATE | 20262018 | BY | AMQS CHEAH |
| 104 | ±2500000000.0 | DATE | 20262018 | BY | AMQS CHEAH |
| 105 | ±3000000000.0 | DATE | 20262018 | BY | AMQS CHEAH |
| 106 | ±4000000000.0 | DATE | 20262018 | BY | AMQS CHEAH |
| 107 | ±5000000000.0 | DATE | 20262018 | BY | AMQS CHEAH |
| 108 | ±6000000000.0 | DATE | 20262018 | BY | AMQS CHEAH |
| 109 | ±8000000000.0 | DATE | 20262018 | BY | AMQS CHEAH |
| 110 | ±10000000000.0 | DATE | 20262018 | BY | AMQS CHEAH |
| 111 | ±12000000000.0 | DATE | 20262018 | BY | AMQS CHEAH |
| 112 | ±15000000000.0 | DATE | 20262018 | BY | AMQS CHEAH |
| 113 | ±20000000000.0 | DATE | 20262018 | BY | AMQS CHEAH |
| 114 | ±25000000000.0 | DATE | 20262018 | BY | AMQS CHEAH |
| 115 | ±30000000000.0 | DATE | 20262018 | BY | AMQS CHEAH |
| 116 | ±40000000000.0 | DATE | 20262018 | BY | AMQS CHEAH |
| 117 | ±50000000000.0 | DATE | 20262018 | BY | AMQS CHEAH |
| 118 | ±60000000000.0 | DATE | 20262018 | BY | AMQS CHEAH |
| 119 | ±80000000000.0 | DATE | 20262018 | BY | AMQS CHEAH |
| 120 | ±100000000000.0 | DATE | 20262018 | BY | AMQS CHEAH |
| 121 | ±120000000000.0 | DATE | 20262018 | BY | AMQS CHEAH |
| 122 | ±150000000000.0 | DATE | 20262018 | BY | AMQS CHEAH |
| 123 | ±200000000000.0 | DATE | 20262018 | BY | AMQS CHEAH |
| 124 | ±250000000000.0 | DATE | 20262018 | BY | AMQS CHEAH |
| 125 | ±300000000000.0 | DATE | 20262018 | BY | AMQS CHEAH |
| 126 | ±400000000000.0 | DATE | 20262018 | BY | AMQS CHEAH |
| 127 | ±500000000000.0 | DATE | 20262018 | BY | AMQS CHEAH |
| 128 | ±600000000000.0 | DATE | 20262018 | BY | AMQS CHEAH |
| 129 | ±800000000000.0 | DATE | 20262018 | BY | AMQS CHEAH |
| 130 | ±1000000000000.0 | DATE | 20262018 | BY | AMQS CHEAH |
| 131 | ±1200000000000.0 | DATE | 20262018 | BY | AMQS CHEAH |
| 132 | ±1500000000000.0 | DATE | 20262018 | BY | AMQS CHEAH |
| 133 | ±2000000000000.0 | DATE | 20262018 | BY | AMQS CHEAH |
| 134 | ±2500000000000.0 | DATE | 20262018 | BY | AMQS CHEAH |
| 135 | ±3000000000000.0 | DATE | 20262018 | BY | AMQS CHEAH |
| 136 | ±4000000000000.0 | DATE | 20262018 | BY | AMQS CHEAH |
| 137 | ±5000000000000.0 | DATE | 20262018 | BY | AMQS CHEAH |
| 138 | ±6000000000000.0 | DATE | 20262018 | BY | AMQS CHEAH |
| 139 | ±8000000000000.0 | DATE | 20262018 | BY | AMQS CHEAH |
| 140 | ±10000000000000.0 | DATE | 20262018 | BY | AMQS CHEAH |
| 141 | ±12000000000000.0 | DATE | 20262018 | BY | AMQS CHEAH |
| 142 | ±15000000000000.0 | DATE | 20262018 | BY | AMQS CHEAH |
| 143 | ±20000000000000.0 | DATE | 20262018 | BY | AMQS CHEAH |
| 144 | ±25000000000000.0 | DATE | 20262018 | BY | AMQS CHEAH |
| 145 | ±30000000000000.0 | DATE | 20262018 | BY | AMQS CHEAH |
| 146 | ±40000000000000.0 | DATE | 20262018 | BY | AMQS CHEAH |
| 147 | ±50000000000000.0 | DATE | 20262018 | BY | AMQS CHEAH |
| 148 | ±60000000000000.0 | DATE | 20262018 | BY | AMQS CHEAH |
| 149 | ±80000000000000.0 | DATE | 20262018 | BY | AMQS CHEAH |
| 150 | ±100000000000000.0 | DATE | 20262018 | BY | AMQS CHEAH |
| 151 | ±120000000000000.0 | DATE | 20262018 | BY | AMQS CHEAH |
| 152 | ±150000000000000.0 | DATE | 20262018 | BY | AMQS CHEAH |
| 153 | ±200000000000000.0 | DATE | 20262018 | BY | AMQS CHEAH |
| 154 | ±250000000000000.0 | DATE | 20262018 | BY | AMQS CHEAH |
| 155 | ±300000000000000.0 | DATE | 20262018 | BY | AMQS CHEAH |
| 156 | ±400000000000000.0 | DATE | 20262018 | BY | AMQS CHEAH |

X-ON Electronics

Largest Supplier of Electrical and Electronic Components

Click to view similar products for [Antennas](#) category:

Click to view products by [TE Connectivity](#) manufacturer:

Other Similar products are found below :

[GAN30084EU](#) [930-033-R](#) [GW17.07.0250E](#) [1513563-1](#) [EXE902SM](#) [APAMPG-117](#) [MAF94383](#) [W3908B0100](#) [W6102B0100](#) [YE572113-30RSMM](#) [108-00014-50](#) [66089-2406](#) [SPDA17RP918](#) [A09-F8NF-M](#) [A09-F5NF-M](#) [RGFRA1903041A1T](#) [W3593B0100](#) [W3921B0100](#) [SIMNA-868](#) [SIMNA-915](#) [SIMNA-433](#) [W1044](#) [W1049B090](#) [A75-001](#) [WTL2449CQ1-FRSMM](#) [CPL9C](#) [EXB148BN](#) [0600-00060](#) [TRA9020S3PBN-001](#) [Y4503](#) [GD5W-28P-NF](#) [MA9-7N](#) [GD53-25](#) [GD5W-21P-NF](#) [C37](#) [MAF94051](#) [MA9-5N](#) [EXD420PL](#) [B1322NR](#) [QWFTB120](#) [MAF94271](#) [MAF94300](#) [GPSMB301](#) [FG4403](#) [AO-AGSM-OM54](#) [5200232](#) [MIKROE-2349](#) [WCM.01.0111](#) [MIKROE-2393](#) [MIKROE-2352](#)