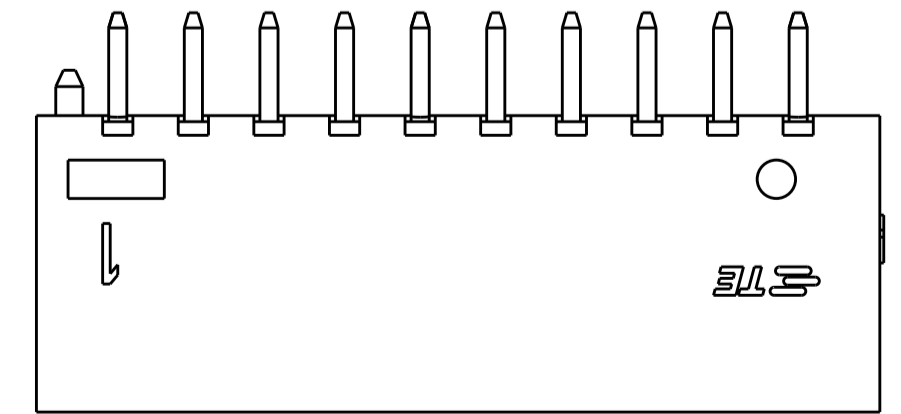
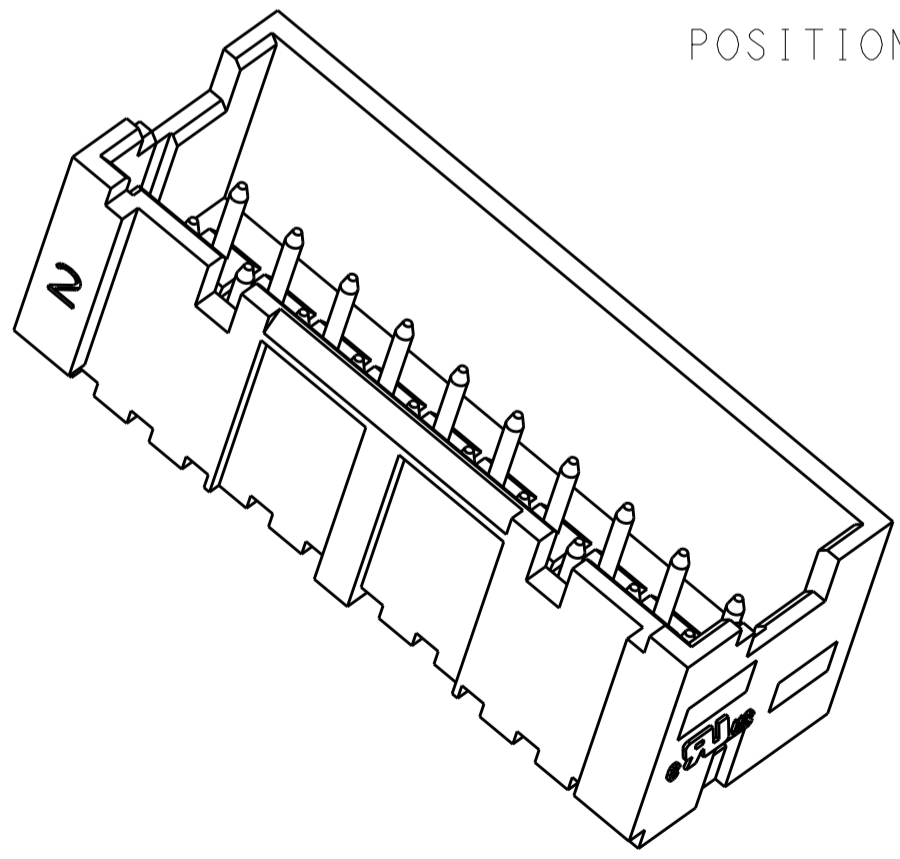
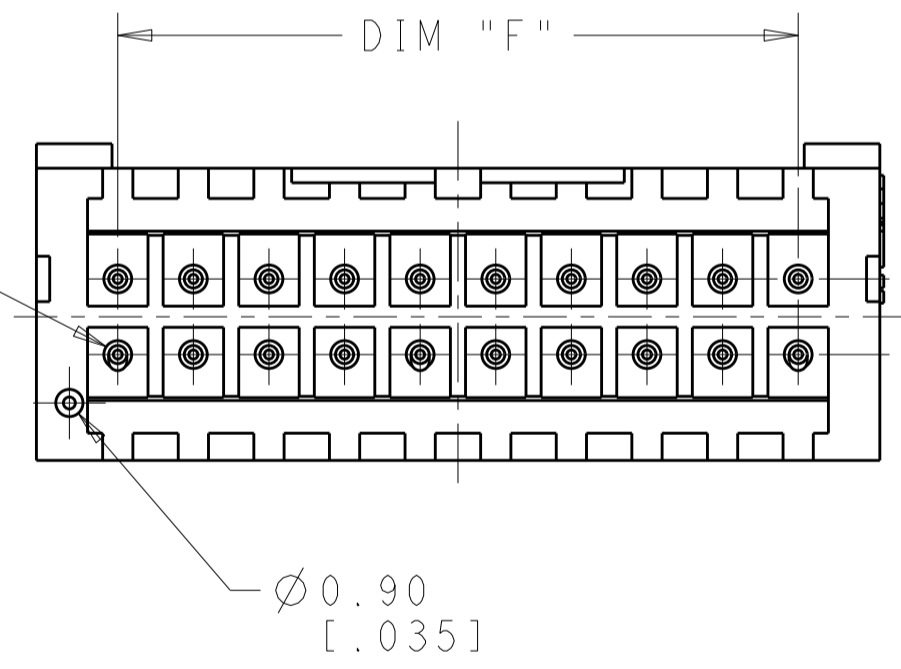
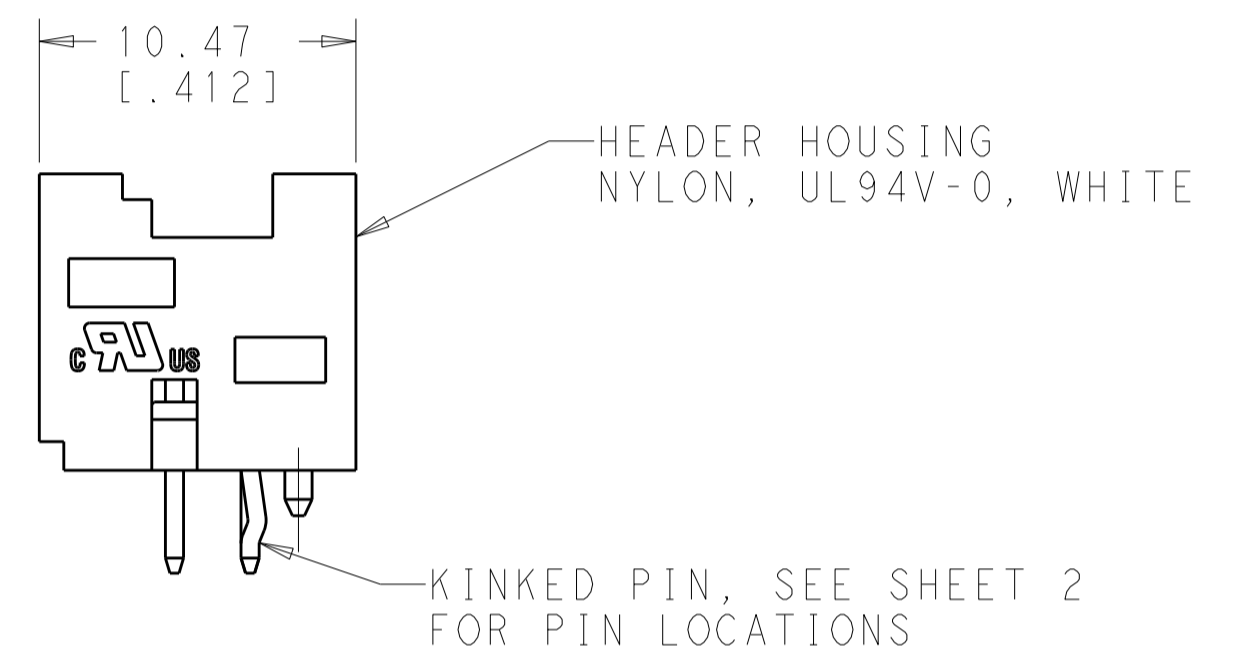
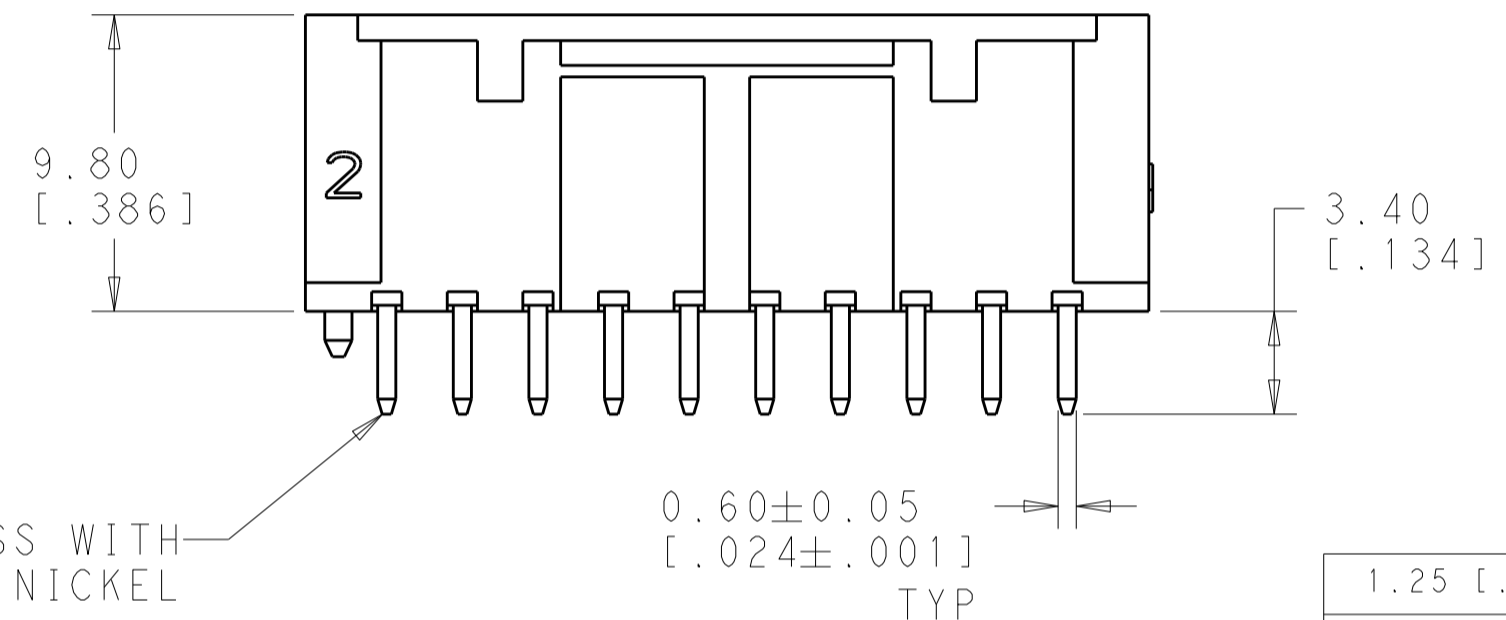
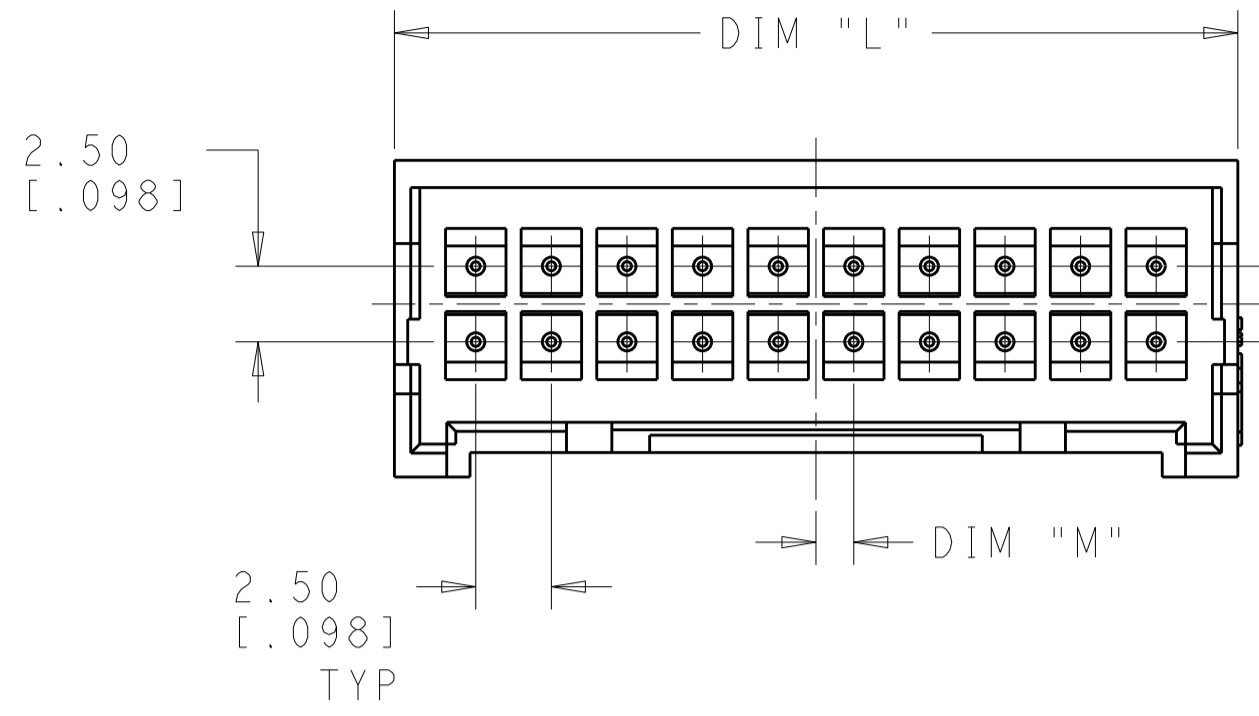


THIS DRAWING IS UNPUBLISHED. RELEASED FOR PUBLICATION 20  
 © COPYRIGHT 20 BY - ALL RIGHTS RESERVED.

| REVISIONS |     |                           |           |     |      |
|-----------|-----|---------------------------|-----------|-----|------|
| P         | LTR | DESCRIPTION               | DATE      | DWN | APVD |
| B         |     | REVISED PER ECR-16-008945 | 21NOV2016 | BW  | RS   |



- PARTS TESTED TO IEC 60695-2-11 AND COMPLIANT TO IEC 60335-1
- HOUSING MATERIAL MEETS MINIMUM GLOW WIRE FLAMMABILITY INDEX OF 850°C PER IEC 60695-2-12 AND MINIMUM GLOW WIRE IGNITION TEMP OF 775°C PER IEC 60695-2-13.

|             |                       |               |               |                  |             |
|-------------|-----------------------|---------------|---------------|------------------|-------------|
| 1.25 [.049] | 2                     | 47.50 [1.870] | 52.89 [2.083] | 40               | 4-1969570-0 |
| 0.00        | 2                     | 45.00 [1.772] | 50.39 [1.985] | 38               | 3-1969570-8 |
| 1.25 [.049] | 2                     | 42.50 [1.673] | 47.89 [1.886] | 36               | 3-1969570-6 |
| 0.00        | 2                     | 40.00 [1.575] | 45.39 [1.788] | 34               | 3-1969570-4 |
| 1.25 [.049] | 2                     | 37.50 [1.477] | 42.89 [1.689] | 32               | 3-1969570-2 |
| 0.00        | 2                     | 35.00 [1.378] | 40.39 [1.591] | 30               | 3-1969570-0 |
| 1.25 [.049] | 2                     | 32.50 [1.280] | 37.89 [1.492] | 28               | 2-1969570-8 |
| 0.00        | 2                     | 30.00 [1.181] | 35.39 [1.394] | 26               | 2-1969570-6 |
| 1.25 [.049] | 2                     | 27.50 [1.083] | 32.89 [1.295] | 24               | 2-1969570-4 |
| 0.00        | 2                     | 25.00 [.984]  | 30.39 [1.197] | 22               | 2-1969570-2 |
| 1.25 [.049] | 2                     | 22.50 [.886]  | 27.89 [1.098] | 20               | 2-1969570-0 |
| 0.00        | 2                     | 20.00 [.787]  | 25.39 [1.000] | 18               | 1-1969570-8 |
| 1.25 [.049] | 1                     | 17.50 [.689]  | 22.89 [.901]  | 16               | 1-1969570-6 |
| 0.00        | 1                     | 15.00 [.590]  | 20.39 [.803]  | 14               | 1-1969570-4 |
| 1.25 [.049] | 1                     | 12.50 [.492]  | 17.89 [.704]  | 12               | 1-1969570-2 |
| 0.00        | 1                     | 10.00 [.394]  | 15.39 [.606]  | 10               | 1-1969570-0 |
| 1.25 [.049] | 1                     | 7.50 [.295]   | 12.89 [.507]  | 8                | 1969570-8   |
| DIM "M"     | NO. OF LATCH CUT-OUTS | DIM "F"       | DIM "L"       | NO. OF POSITIONS | PART NO.    |

THIS DRAWING IS A CONTROLLED DOCUMENT.

DWN: JR RUTH 02OCT12  
 CHK: KURT RANDOLPH 02OCT12  
 APVD: SAM MACF 02OCT12

**STE** TE Connectivity

NAME: ASSEMBLY, PIN HEADER, EP 2.5, DUAL ROW, GLOW WIRE

PRODUCT SPEC: 108-2418  
 APPLICATION SPEC: 114-13315

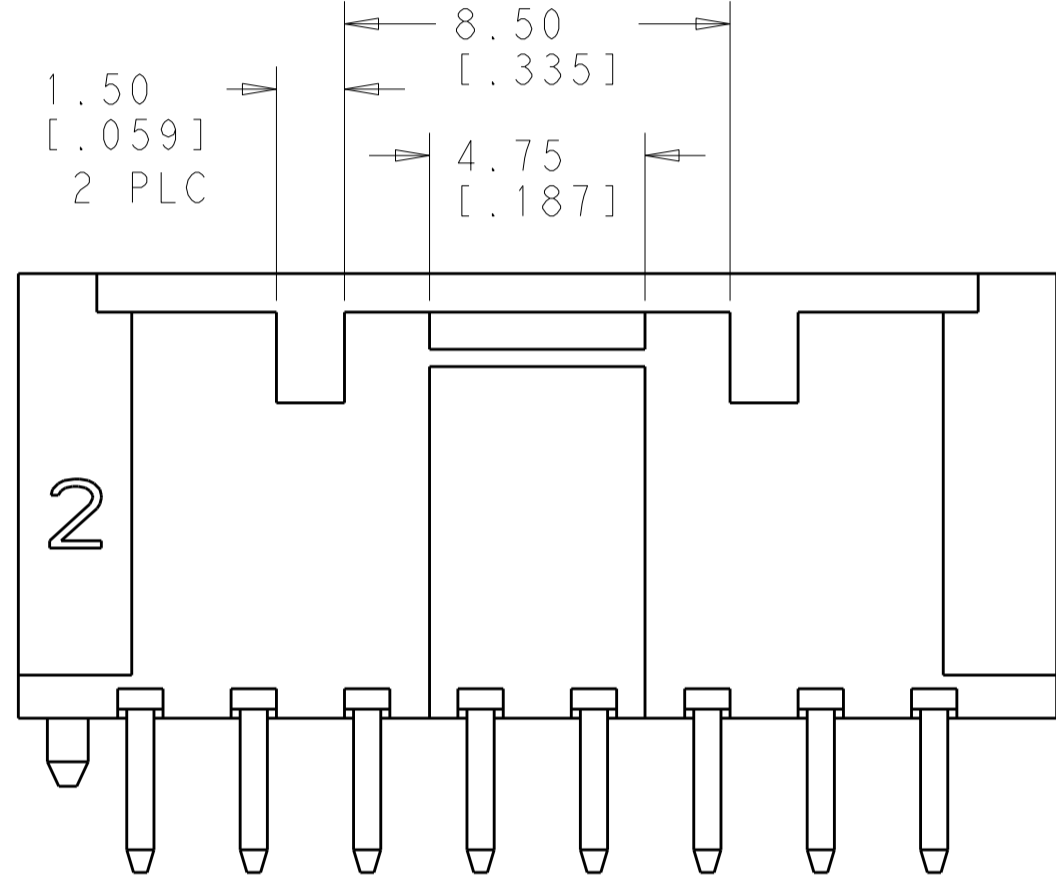
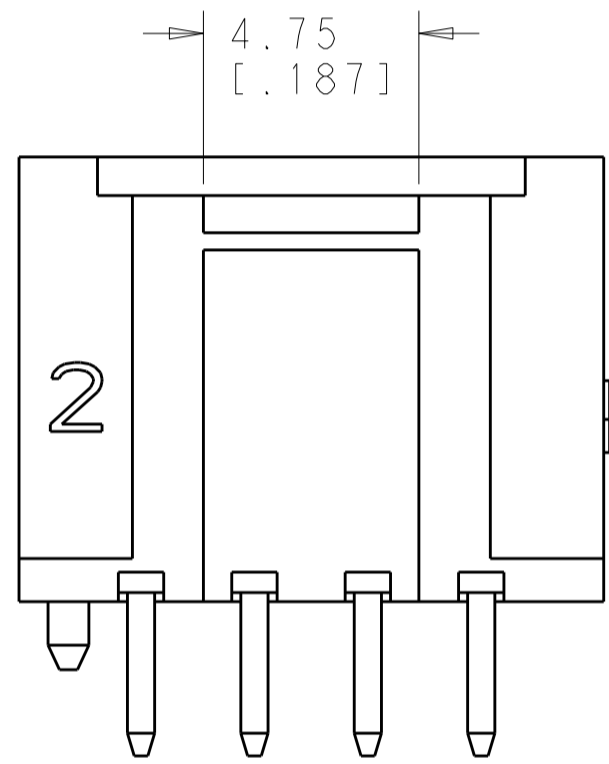
SIZE: A2 CAGE CODE: 00779 DRAWING NO: 1969570 RESTRICTED TO: -

MATERIAL: SEE NOTES TOLERANCES UNLESS OTHERWISE SPECIFIED: SEE NOTES

Customer Drawing SCALE: 4:1 SHEET 1 OF 2 REV B

THIS DRAWING IS UNPUBLISHED. RELEASED FOR PUBLICATION 20  
 © COPYRIGHT 20 BY - ALL RIGHTS RESERVED.

| LOC | DIST | REVISIONS   |             |     |      |  |
|-----|------|-------------|-------------|-----|------|--|
| P   | LTR  | DESCRIPTION | DATE        | DWN | APVD |  |
| AF  | 50   | -           | SEE SHEET 1 | -   | -    |  |
|     |      |             |             |     |      |  |
|     |      |             |             |     |      |  |

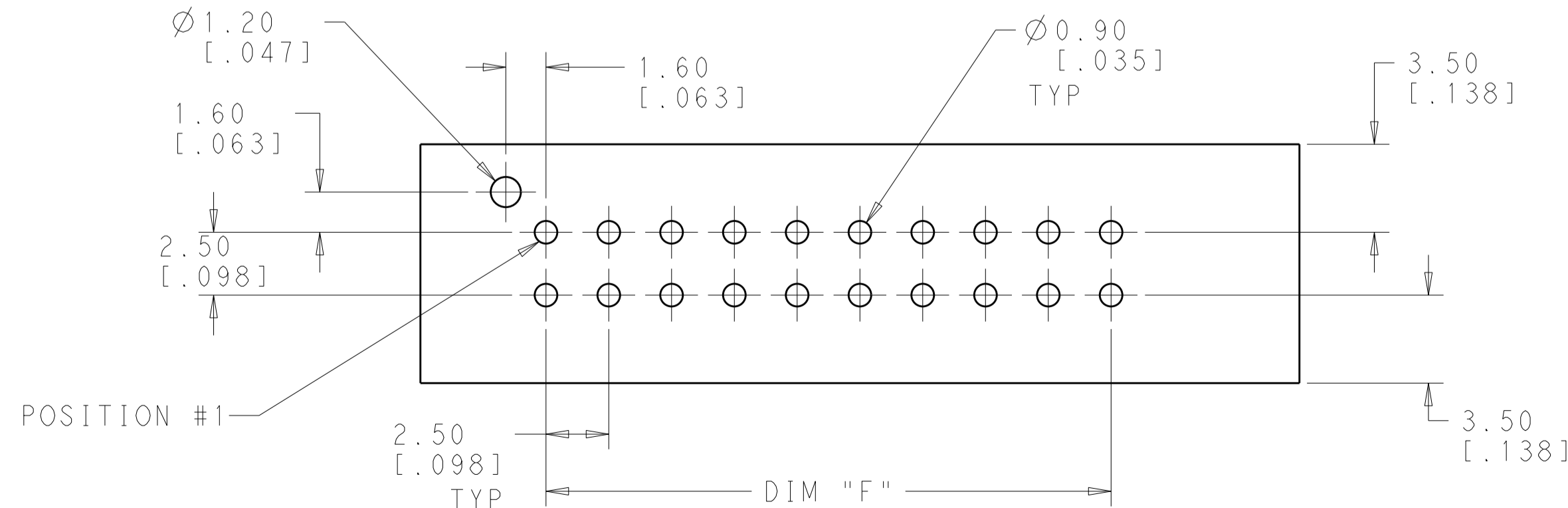


SINGLE LATCH DETAIL  
 1969570-8 SHOWN HERE  
 THESE DIM'S ARE FOR THE  
 1969570-8 AND 1-1969570-0

SINGLE LATCH DETAIL  
 1-1969570-6 SHOWN ON HERE  
 THESE DIM'S ARE FOR THE  
 1-1969570-2 THRU -16



KINKED PIN CHART



RECOMMENDED PCB LAYOUT

|  |          |                            |  |  |
|--|----------|----------------------------|--|--|
| THIS DRAWING IS A CONTROLLED DOCUMENT. |          | DWN JR RUTH 02OCT12        | TE Connectivity  |  |
| DIMENSIONS: mm [INCHES]                |          | CHK KURT RANDOLPH 02OCT12  |  |  |
| TOLERANCES UNLESS OTHERWISE SPECIFIED: |          | APVD SAM MACF 02OCT12      | NAME ASSEMBLY, PIN HEADER, EP 2.5, DUAL ROW, GLOW WIRE |  |
| 0 PLC ±                                | 1 PLC ±  | PRODUCT SPEC 108-2418      | SIZE CAGE CODE DRAWING NO                              |  |
| 2 PLC ±0.25 [.010]                     | 3 PLC ±  | APPLICATION SPEC 114-13315 | RESTRICTED TO  |  |
| 4 PLC ±                                | ANGLES ± | WEIGHT -                   | A200779 ©-1969570                                      |  |
| MATERIAL SEE NOTES                     |          | FINISH SEE NOTES           | SCALE 4:1 SHEET 2 OF 2 REV B                           |  |
| SEE NOTES                              |          | Customer Drawing           |  |  |

## X-ON Electronics

Largest Supplier of Electrical and Electronic Components

*Click to view similar products for [Headers & Wire Housings](#) category:*

*Click to view products by [TE Connectivity](#) manufacturer:*

Other Similar products are found below :

[892-18-020-10-001101](#) [58102-G61-06LF](#) [582553-1](#) [0009485154](#) [009176003701906](#) [0050291907](#) [LY20-4P-DT1-P1E-BR](#) [02.125.8002.8](#)  
[609-3404](#) [61062-3](#) [61082-181009](#) [622-3653LF](#) [63453-116](#) [636-1030](#) [636-1427](#) [636-3427](#) [636-4007](#) [641938-9](#) [641991-4](#) [644827-2](#) [65817-](#)  
[010LF](#) [65817-015LF](#) [65863-015LF](#) [66207-023LF](#) [67095-007LF](#) [67601157](#) [68645-018](#) [68648-049](#) [70.362.1628.0](#) [70-4210](#) [70-4226B](#) [70-](#)  
[4853B](#) [707-5020](#) [707-5028](#) [71.350.2428.0](#) [71918-208LF](#) [71961-016LF](#) [733-134](#) [733-162](#) [754199-000](#) [760-3052](#) [79531-3000](#) [FCN-](#)  
[360C032-B](#) [FCN-367T-T012/H](#) [FCN-723D010/2](#) [80.063.4001.1](#) [800-90-001-10-001000](#) [800-90-010-10-002000](#) [801-43-002-10-013000](#)  
[801-43-006-10-002000](#)