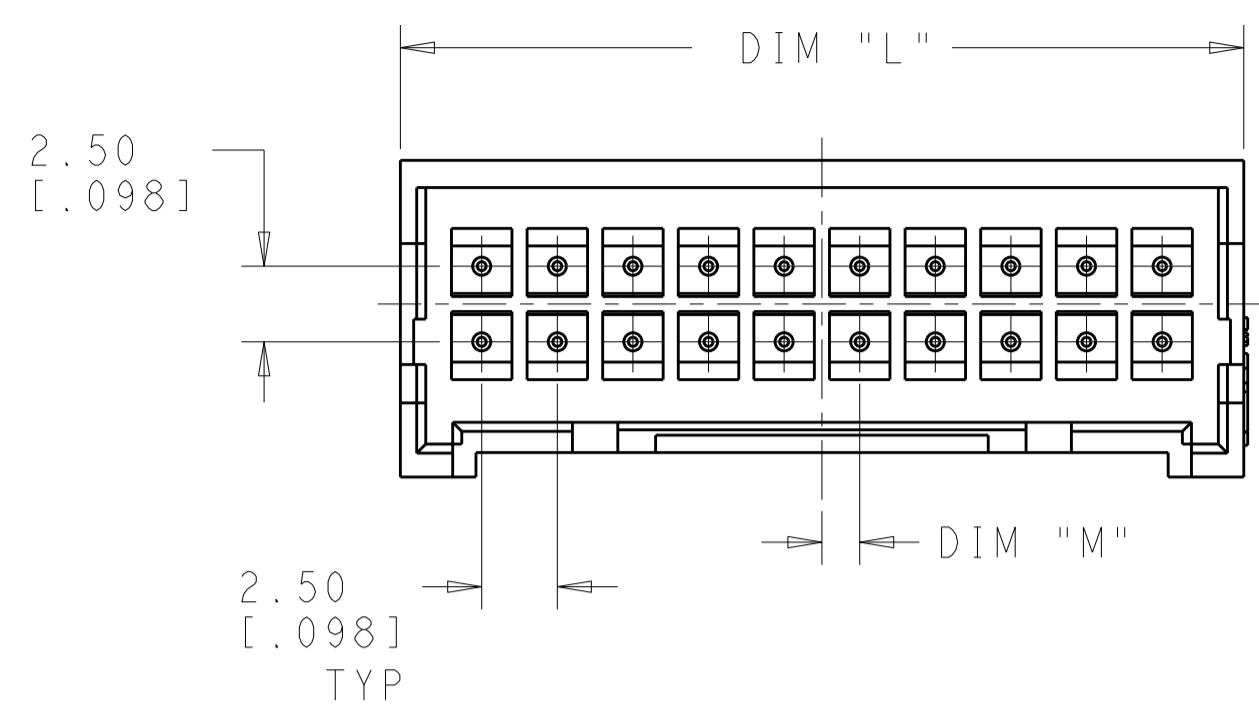
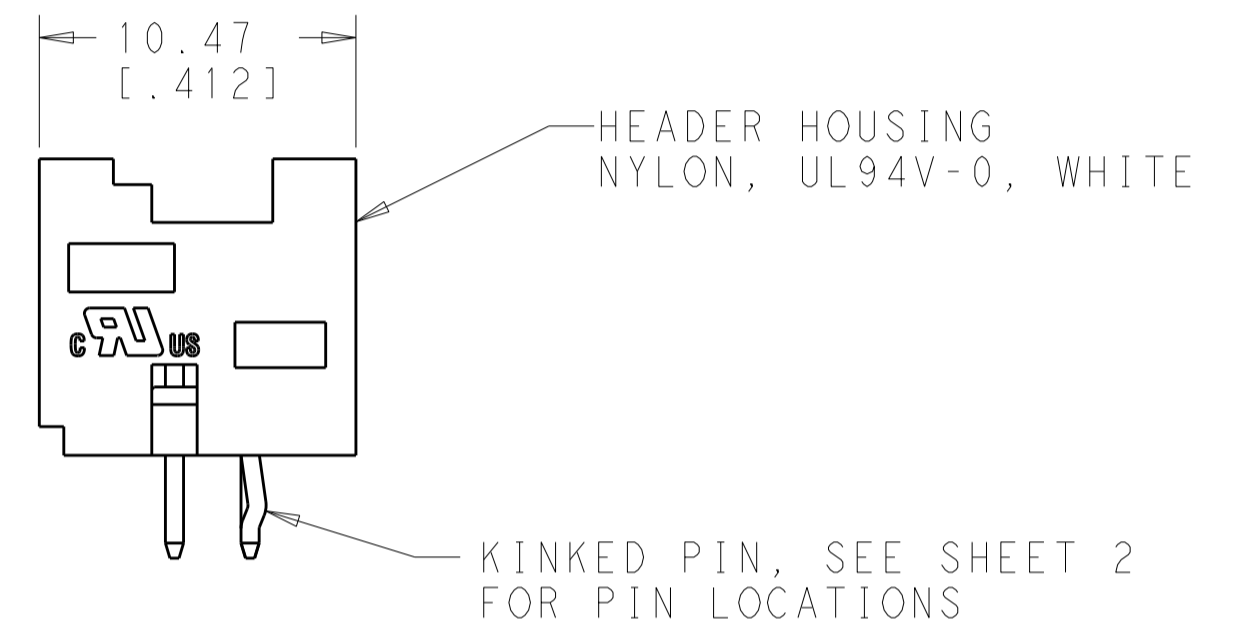
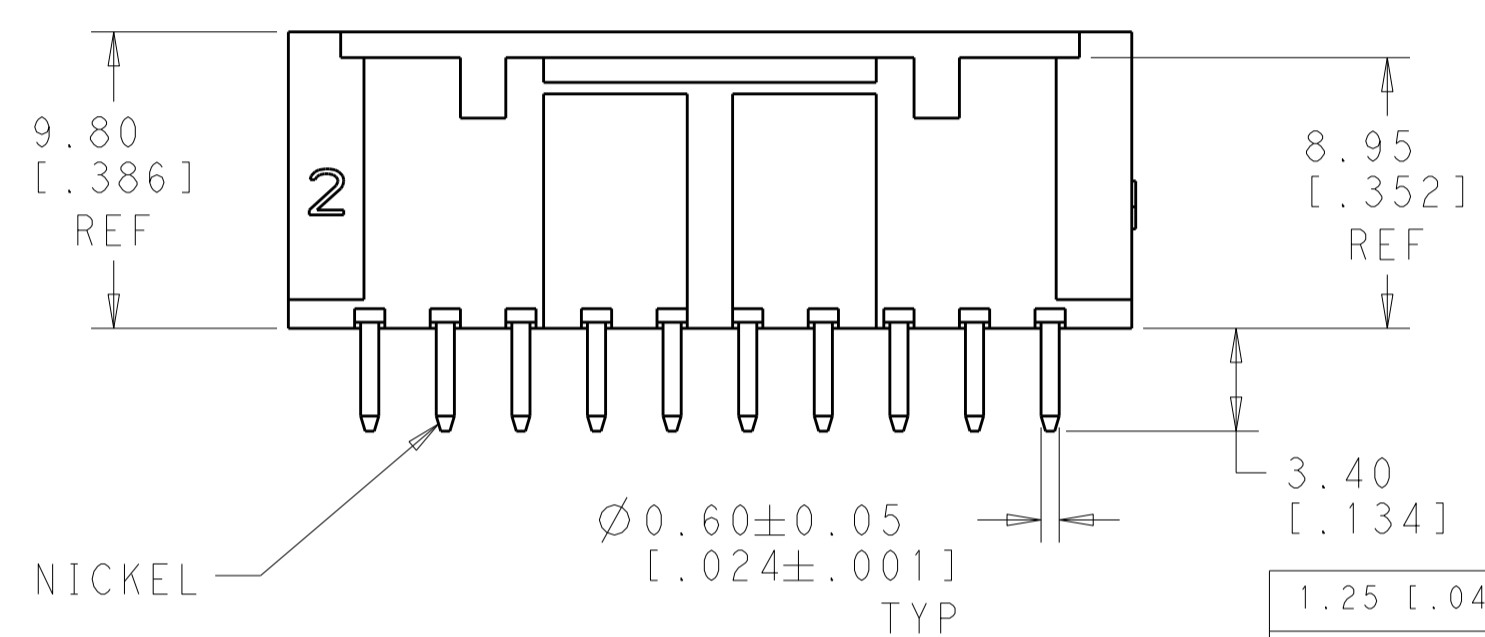


THIS DRAWING IS UNPUBLISHED. RELEASED FOR PUBLICATION 20
 © COPYRIGHT 20 BY - ALL RIGHTS RESERVED.

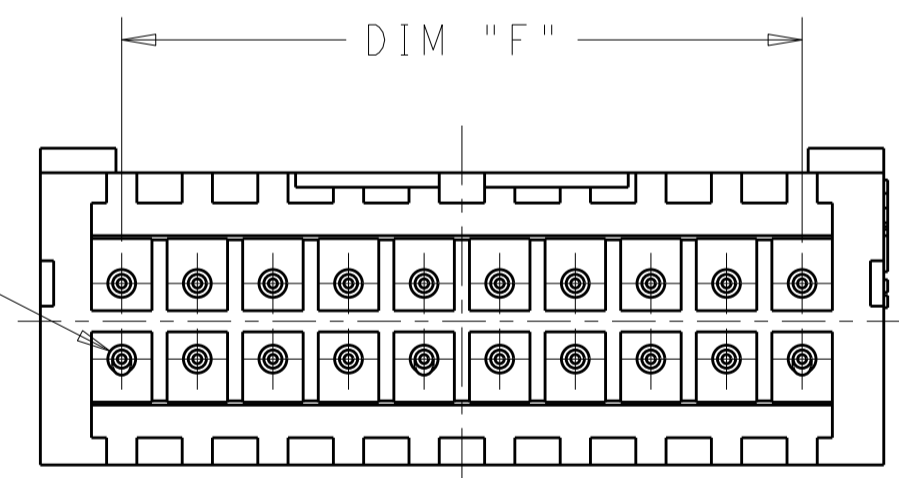
| LOC | | DIST | | REVISIONS | | | | |
|-----|-----|-------------|---------------------------|-----------|------|----|--|--|
| P | LTR | DESCRIPTION | DATE | DWN | APVD | | | |
| AF | 50 | B | REVISED PER ECR-16-008945 | 21NOV2016 | BW | RS | | |



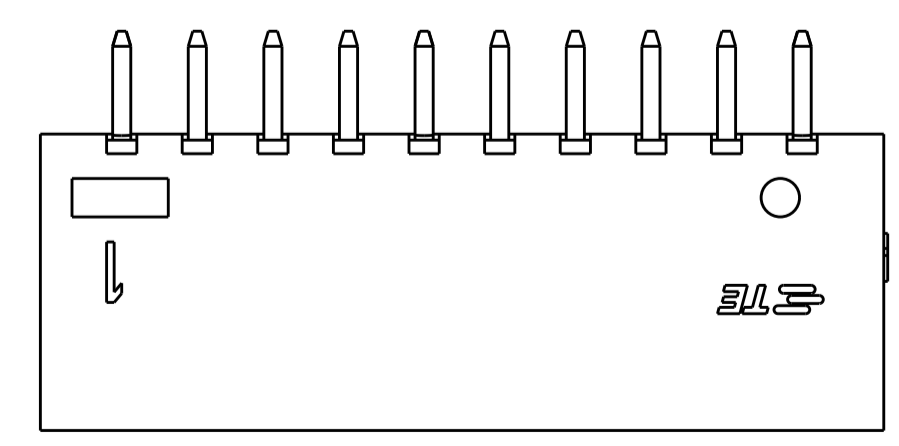
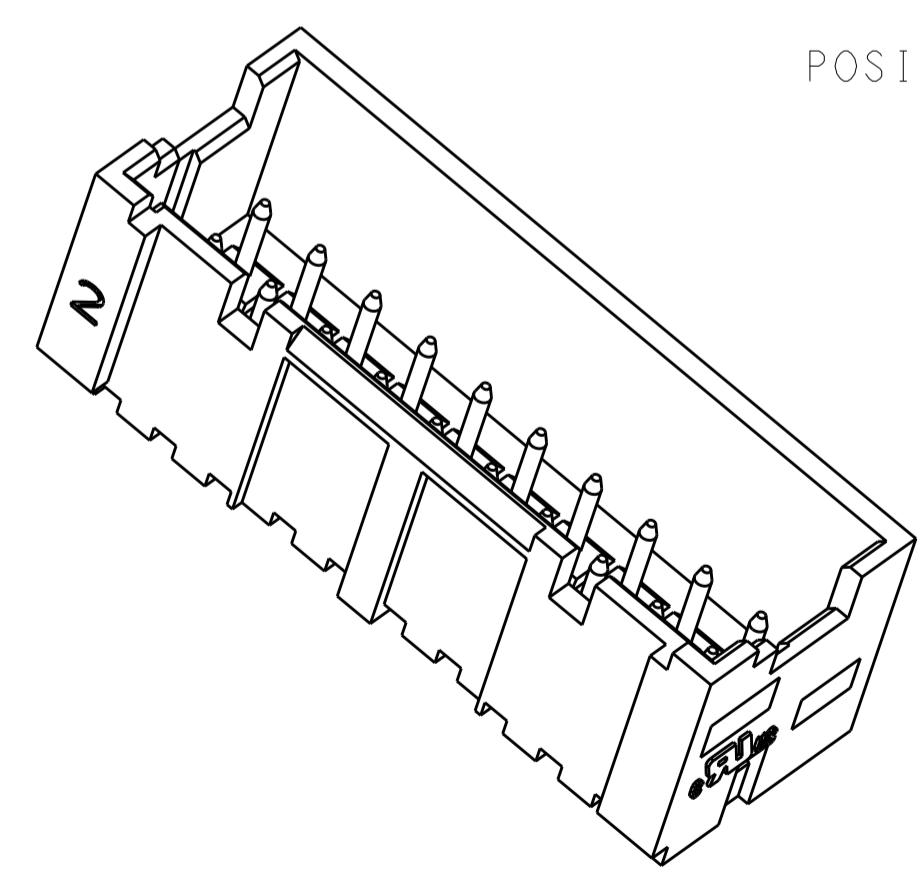
- 1 PARTS TESTED TO IEC 60695-2-11 AND COMPLIANT TO IEC 60335-1
- 2 HOUSING MATERIAL MEETS MINIMUM GLOW WIRE FLAMMIBILITY INDEX OF 850°C PER IEC 60695-2-12 AND MINIMUM GLOW WIRE IGNITION TEMP OF 775°C PER IEC 60695-2-13.



PIN, BRASS WITH TIN PLATING OVER NICKEL



| 1.25 [.049] | 2 | 47.50 [1.870] | 52.89 [2.083] | 40 | 4-1969584-0 |
|-------------|-----------------------|---------------|---------------|------------------|-------------|
| 0.00 | 2 | 45.00 [1.772] | 50.39 [1.985] | 38 | 3-1969584-8 |
| 1.25 [.049] | 2 | 42.50 [1.673] | 47.89 [1.886] | 36 | 3-1969584-6 |
| 0.00 | 2 | 40.00 [1.575] | 45.39 [1.788] | 34 | 3-1969584-4 |
| 1.25 [.049] | 2 | 37.50 [1.477] | 42.89 [1.689] | 32 | 3-1969584-2 |
| 0.00 | 2 | 35.00 [1.378] | 40.39 [1.591] | 30 | 3-1969584-0 |
| 1.25 [.049] | 2 | 32.50 [1.280] | 37.89 [1.492] | 28 | 2-1969584-8 |
| 0.00 | 2 | 30.00 [1.181] | 35.39 [1.394] | 26 | 2-1969584-6 |
| 1.25 [.049] | 2 | 27.50 [1.083] | 32.89 [1.295] | 24 | 2-1969584-4 |
| 0.00 | 2 | 25.00 [.984] | 30.39 [1.197] | 22 | 2-1969584-2 |
| 1.25 [.049] | 2 | 22.50 [.886] | 27.89 [1.098] | 20 | 2-1969584-0 |
| 0.00 | 2 | 20.00 [.787] | 25.39 [1.000] | 18 | 1-1969584-8 |
| 1.25 [.049] | 1 | 17.50 [.689] | 22.89 [.901] | 16 | 1-1969584-6 |
| 0.00 | 1 | 15.00 [.590] | 20.39 [.803] | 14 | 1-1969584-4 |
| 1.25 [.049] | 1 | 12.50 [.492] | 17.89 [.704] | 12 | 1-1969584-2 |
| 0.00 | 1 | 10.00 [.394] | 15.39 [.606] | 10 | 1-1969584-0 |
| 1.25 [.049] | 1 | 7.50 [.295] | 12.89 [.507] | 8 | 1969584-8 |
| DIM "M" | NO. OF LATCH CUT-OUTS | DIM "F" | DIM "L" | NO. OF POSITIONS | PART NO. |



THIS DRAWING IS A CONTROLLED DOCUMENT.

DWN: JR RUTH 07NOV12
 CHK: KURT RANDOLPH 07NOV12
 APVD: SAM MACE 07NOV12

STE TE Connectivity

NAME: ASSEMBLY, PIN HEADER, EP 2.5, DUAL ROW, GLOW WIRE

PRODUCT SPEC: 108-2418
 APPLICATION SPEC: 114-13315

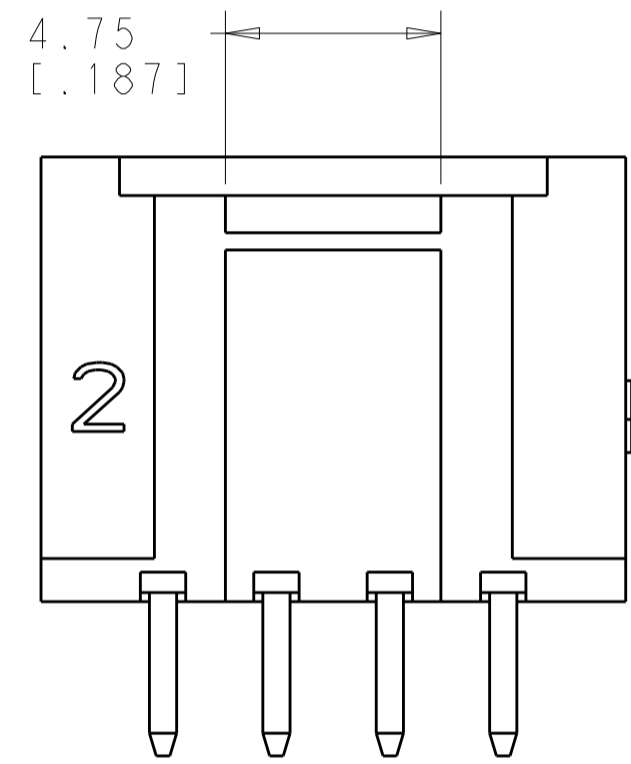
SIZE: A2 CAGE CODE: 00779 DRAWING NO: 1969584 RESTRICTED TO: -

MATERIAL: SEE NOTES TOLERANCES UNLESS OTHERWISE SPECIFIED: SEE NOTES

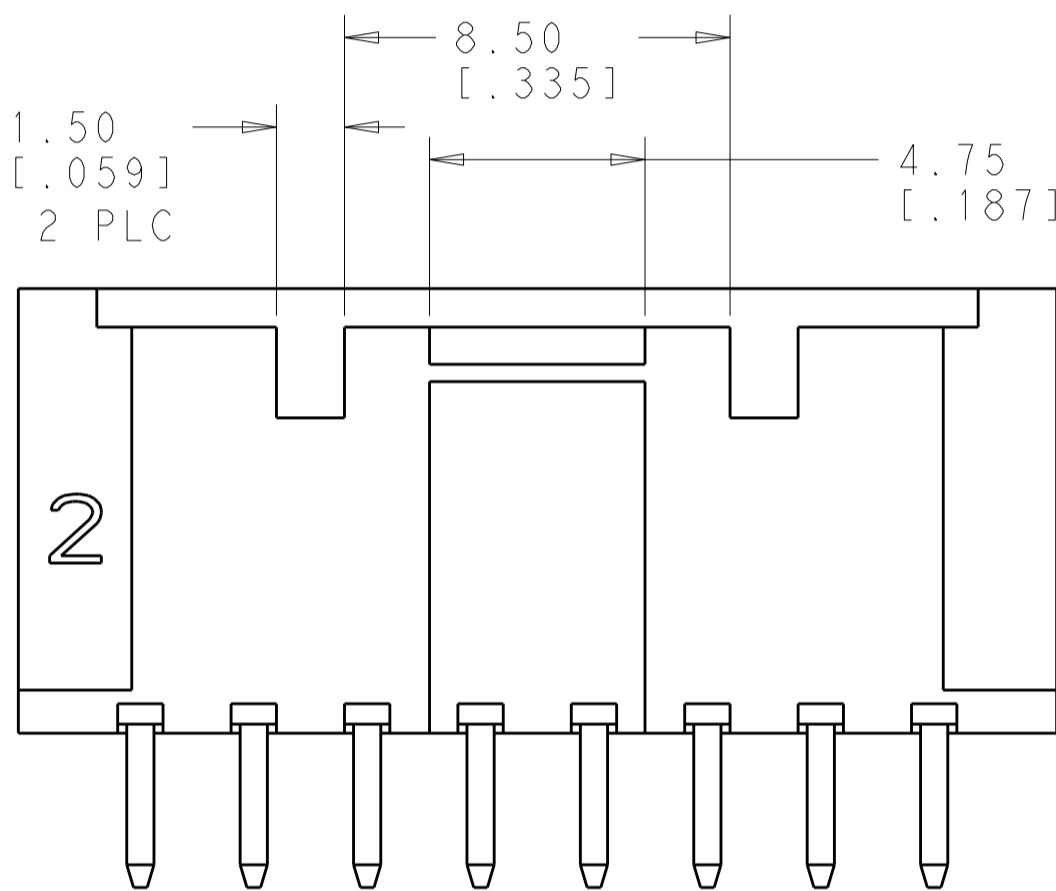
Customer Drawing SCALE: 4:1 SHEET 1 OF 2 REV B

THIS DRAWING IS UNPUBLISHED. RELEASED FOR PUBLICATION 20
 © COPYRIGHT 20 BY - ALL RIGHTS RESERVED.

| LOC | DIST | REVISIONS | | | |
|-----|------|-------------|-------------|-----|------|
| P | LTR | DESCRIPTION | DATE | DWN | APVD |
| AF | 50 | - | SEE SHEET 1 | - | - |
| | | | | | |
| | | | | | |



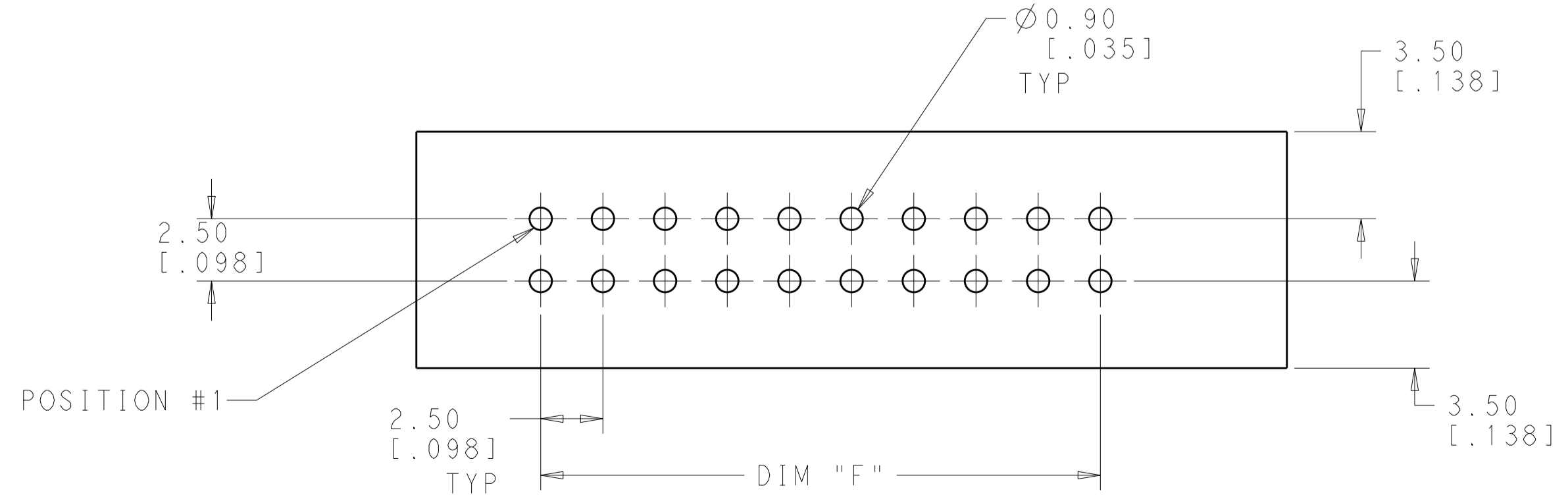
SINGLE LATCH DETAIL
 1969584-8 SHOWN HERE
 THESE DIM'S ARE FOR THE
 1969584-8 AND 1-1969584-0



SINGLE LATCH DETAIL
 1-1969584-6 SHOWN ON HERE
 THESE DIM'S ARE FOR THE
 1-1969584-2 THRU -16



KINKED PIN CHART



RECOMMENDED PCB LAYOUT

| | | | | |
|--|-----------|----------------------------|--|--|
| THIS DRAWING IS A CONTROLLED DOCUMENT. | | DWN JR RUTH 07NOV12 | TE Connectivity | |
| DIMENSIONS: mm [INCHES] | | CHK KURT RANDOLPH 07NOV12 | | |
| TOLERANCES UNLESS OTHERWISE SPECIFIED: | | APVD SAM MACF 07NOV12 | NAME ASSEMBLY, PIN HEADER, EP 2.5, DUAL ROW, GLOW WIRE | |
| 0 PLC ± | 1 PLC ± | PRODUCT SPEC 108-2418 | SIZE CAGE CODE DRAWING NO RESTRICTED TO | |
| 2 PLC ±0.25 [.010] | 3 PLC ± | APPLICATION SPEC 114-13315 | A200779C-1969584 | |
| 4 PLC ± | ANGLES ± | WEIGHT - | SCALE 4:1 SHEET 2 OF 2 REV B | |
| FINISH ± | SEE NOTES | Customer Drawing | | |

X-ON Electronics

Largest Supplier of Electrical and Electronic Components

Click to view similar products for [Headers & Wire Housings](#) category:

Click to view products by [TE Connectivity](#) manufacturer:

Other Similar products are found below :

[892-18-020-10-001101](#) [58102-G61-06LF](#) [582553-1](#) [0009485154](#) [009176003701906](#) [0050291907](#) [LY20-4P-DT1-P1E-BR](#) [02.125.8002.8](#)
[609-3404](#) [61062-3](#) [61082-181009](#) [622-3653LF](#) [63453-116](#) [636-1030](#) [636-1427](#) [636-3427](#) [636-4007](#) [641938-9](#) [641991-4](#) [644827-2](#) [65817-](#)
[010LF](#) [65817-015LF](#) [65863-015LF](#) [66207-023LF](#) [67095-007LF](#) [67601157](#) [68645-018](#) [68648-049](#) [70.362.1628.0](#) [70-4210](#) [70-4226B](#) [70-](#)
[4853B](#) [707-5020](#) [707-5028](#) [71.350.2428.0](#) [71918-208LF](#) [71961-016LF](#) [733-134](#) [733-162](#) [754199-000](#) [760-3052](#) [787-8014-00](#) [79531-3000](#)
[FCN-360C032-B](#) [FCN-367T-T012/H](#) [FCN-723D010/2](#) [80.063.4001.1](#) [800-90-001-10-001000](#) [800-90-010-10-002000](#) [801-43-002-10-013000](#)