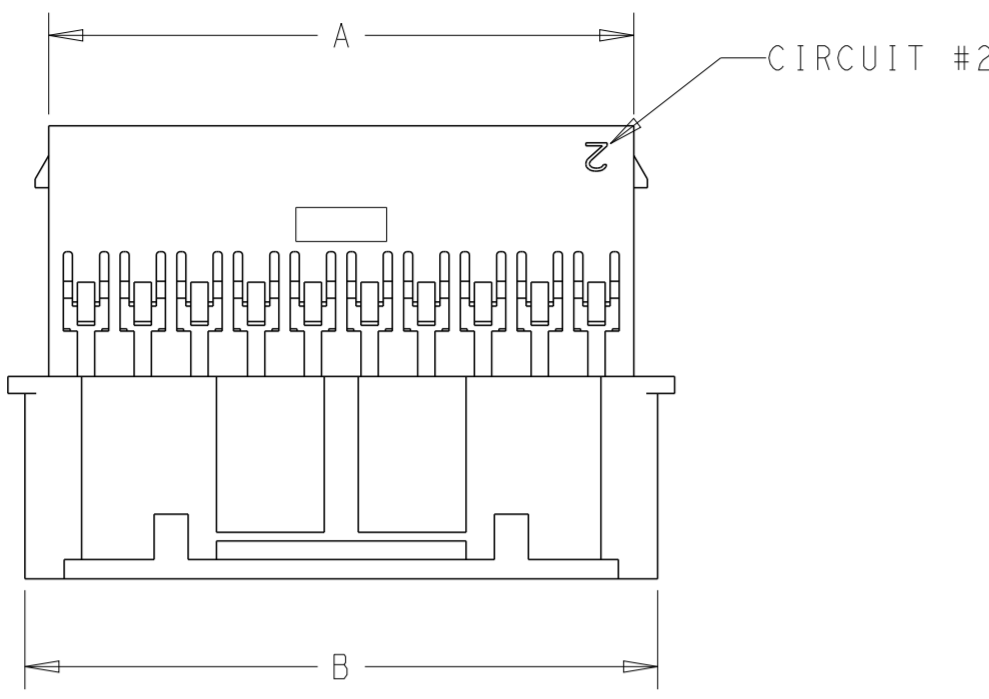
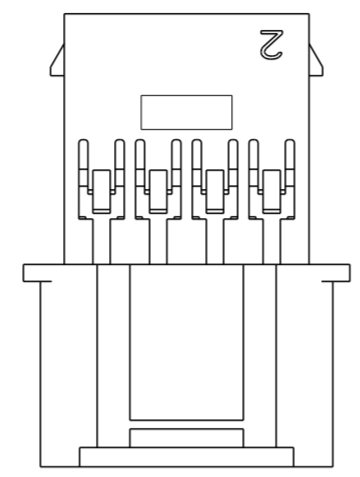


THIS DRAWING IS UNPUBLISHED. RELEASED FOR PUBLICATION 20
 © COPYRIGHT 20 BY - ALL RIGHTS RESERVED.

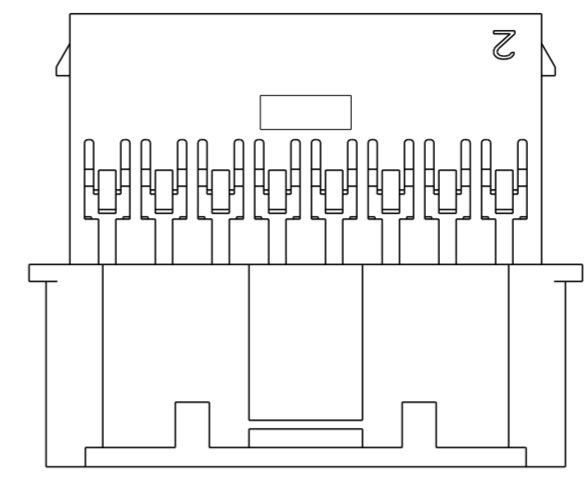
LOC		DIST		REVISIONS			
P	LTR	DESCRIPTION	DATE	DWN	APVD		
B		REVISED PER ECR-15-006219	29APR2015	NK	JR		



1-1969592-8 THROUGH 4-1969592-0
DOUBLE LATCH

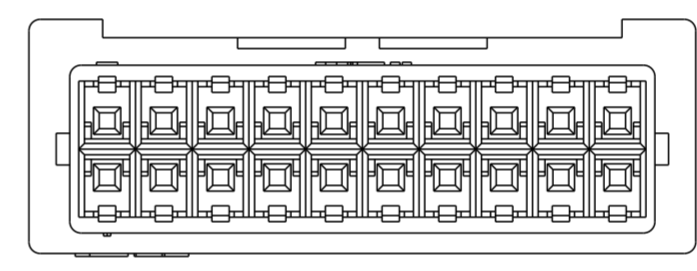
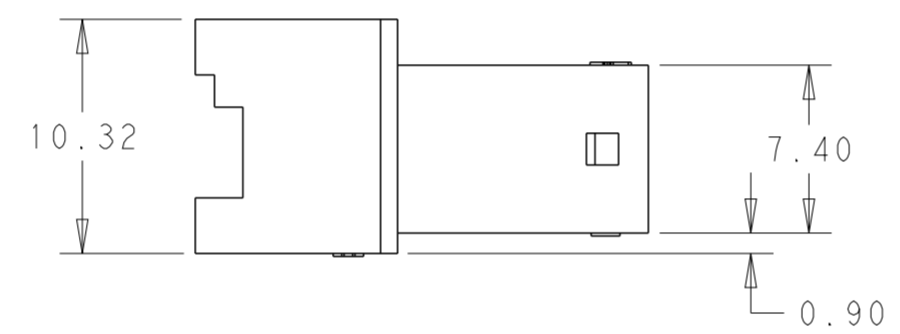
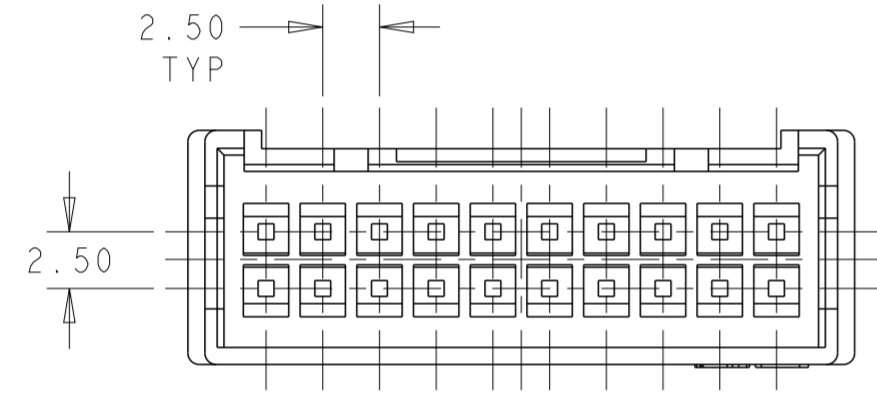


1969592-8 & 1-1969592-0
SINGLE LATCH W/O CUTOUTS

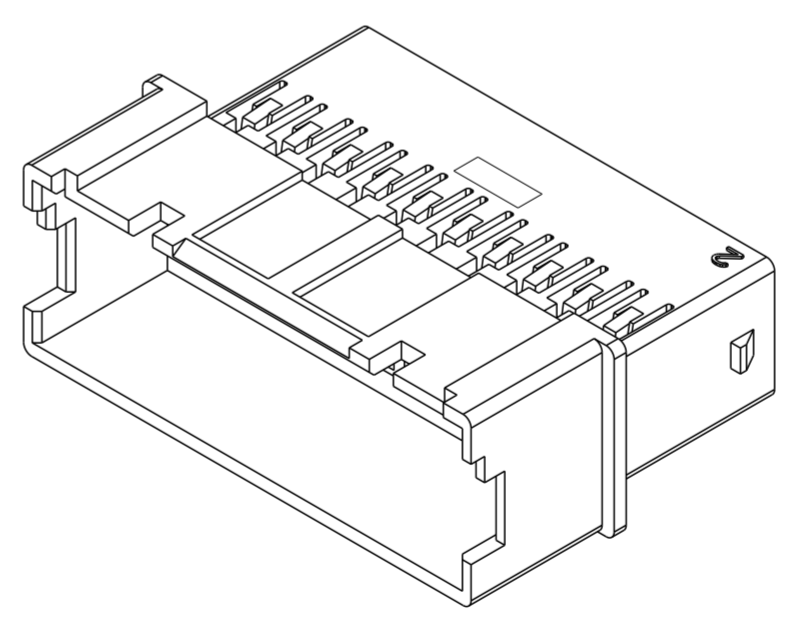
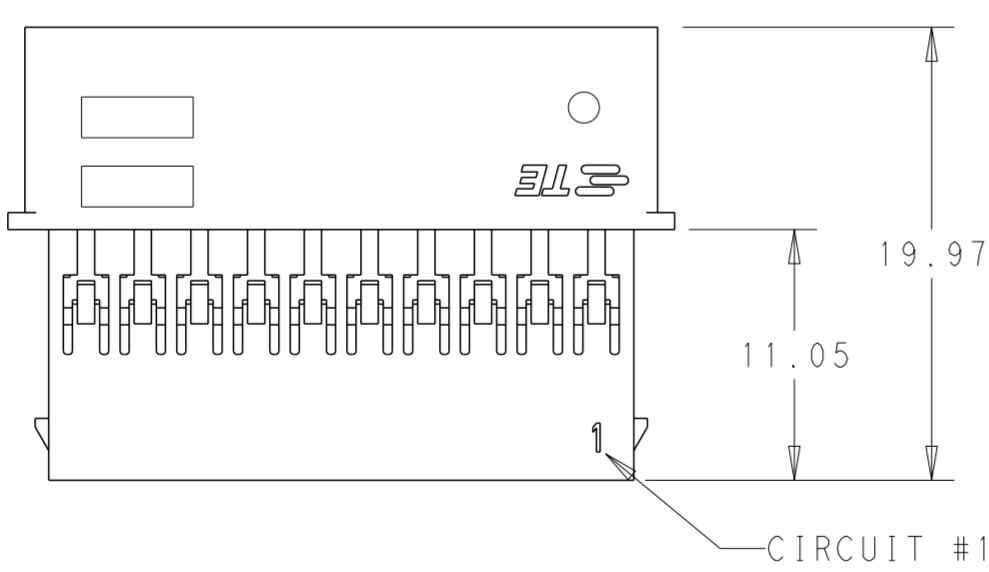


1-1969592-2, 1-1969592-4 & 1-1969592-6
SINGLE LATCH W/ CUTOUTS

1. MATERIAL: NYLON UL94 - V0
COLOR: WHITE
2. ACCEPTS TE PIN CONTACTS
P/N'S 2238007 - ()
3. HOUSING ACCEPTS OPTIONAL TPA
P/N'S 1969541 - ()
4. MATES WITH TE PLUG HOUSINGS
P/N'S 1969540 - ()



40	52.89	50.79	4-1969592-0
38	50.39	48.29	3-1969592-8
36	47.89	45.79	3-1969592-6
34	45.39	43.29	3-1969592-4
32	42.89	40.79	3-1969592-2
30	40.39	38.29	3-1969592-0
28	37.89	35.79	2-1969592-8
26	35.39	33.29	2-1969592-6
24	32.89	30.79	2-1969592-4
22	30.39	28.29	2-1969592-2
20	27.89	25.79	2-1969592-0
18	25.39	23.29	1-1969592-8
16	22.89	20.79	1-1969592-6
14	20.39	18.29	1-1969592-4
12	17.89	15.79	1-1969592-2
10	15.39	13.29	1-1969592-0
8	12.89	10.79	1969592-8
POS	DIM.B	DIM.A	PART NO.



THIS DRAWING IS A CONTROLLED DOCUMENT.

DIMENSIONS: mm	TOLERANCES UNLESS OTHERWISE SPECIFIED:	DWN A NOEL 27SEP2012	 TE Connectivity EP 2.5 DUAL ROW, RECEPTACLE HSG WIRE TO WIRE
	0 PLC ±	CHK K RANDOLPH 01OCT2012	
	1 PLC ±	APVD K RANDOLPH 01OCT2012	
	2 PLC ±0.25	PRODUCT SPEC 108-2418	
	3 PLC ±	APPLICATION SPEC 114-13315	SIZE A2
	4 PLC ±	WEIGHT -	CAGE CODE C-1969592
MATERIAL SEE NOTES	FINISH SEE NOTES	Customer Drawing	RESTRICTED TO -
		SCALE 3:1	SHEET 1 OF 1
			REV B

X-ON Electronics

Largest Supplier of Electrical and Electronic Components

Click to view similar products for [Headers & Wire Housings](#) category:

Click to view products by [TE Connectivity](#) manufacturer:

Other Similar products are found below :

[892-18-020-10-001101](#) [58102-G61-06LF](#) [582553-1](#) [0009485154](#) [009176003701906](#) [0050291907](#) [LY20-4P-DT1-P1E-BR](#) [02.125.8002.8](#)
[609-3404](#) [61062-3](#) [61082-181009](#) [622-3653LF](#) [63453-116](#) [636-1030](#) [636-1427](#) [636-3427](#) [636-4007](#) [641938-9](#) [641991-4](#) [644827-2](#) [65817-](#)
[010LF](#) [65817-015LF](#) [65863-015LF](#) [66207-023LF](#) [67095-007LF](#) [67601157](#) [68645-018](#) [68648-049](#) [70.362.1628.0](#) [70-4210](#) [70-4226B](#) [70-](#)
[4853B](#) [707-5020](#) [707-5028](#) [71.350.2428.0](#) [71918-208LF](#) [71961-016LF](#) [733-134](#) [733-162](#) [754199-000](#) [760-3052](#) [787-8014-00](#) [79531-3000](#)
[FCN-360C032-B](#) [FCN-367T-T012/H](#) [FCN-723D010/2](#) [80.063.4001.1](#) [800-90-001-10-001000](#) [800-90-010-10-002000](#) [801-43-002-10-013000](#)