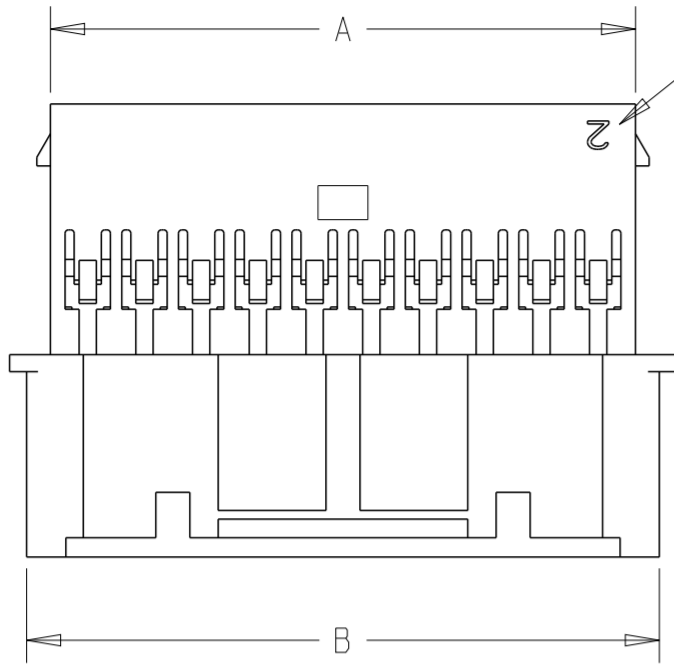


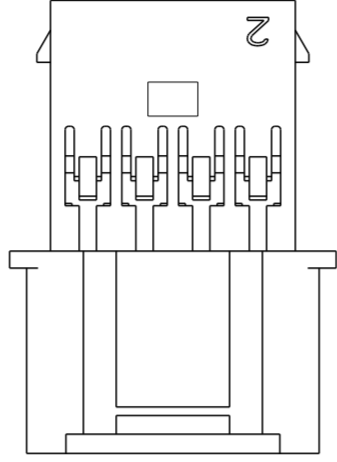
THIS DRAWING IS UNPUBLISHED. RELEASED FOR PUBLICATION 20  
 © COPYRIGHT 20 BY - ALL RIGHTS RESERVED.

LOC		DIST		REVISIONS			
P	LTR	DESCRIPTION		DATE	DWN	APVD	
	B	REVISED PER ECR-15-006219		30APR2015	NK	JR	

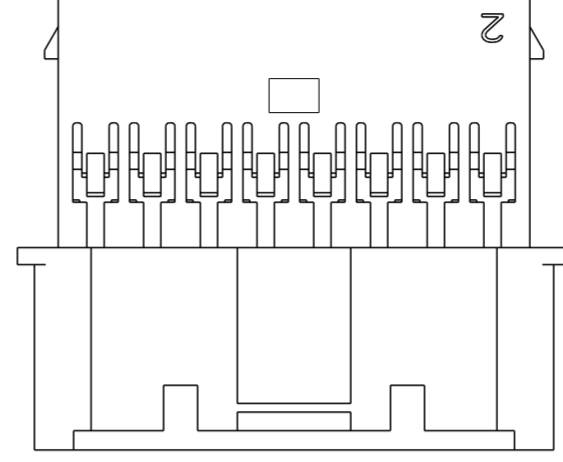


1-1969593-8 THROUGH 4-1969593-0  
DOUBLE LATCH

CIRCUIT #2

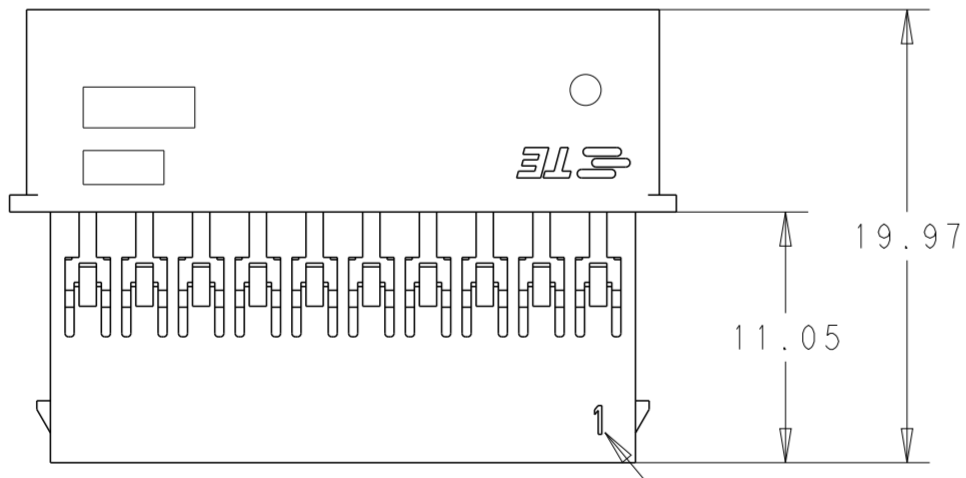
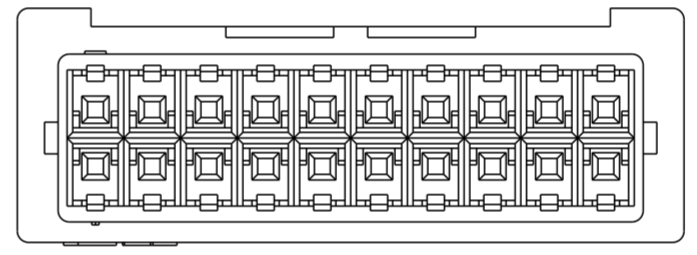
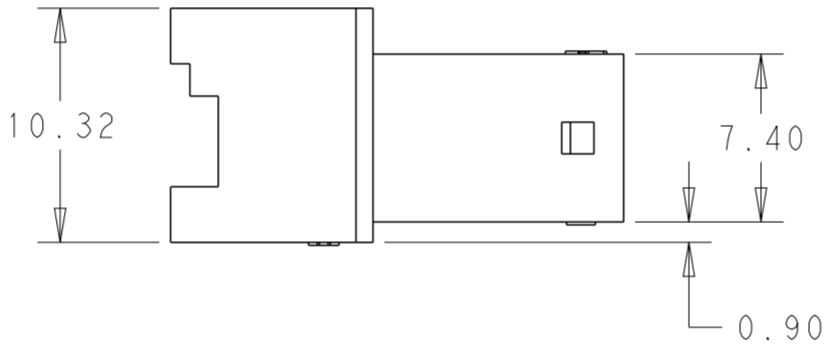
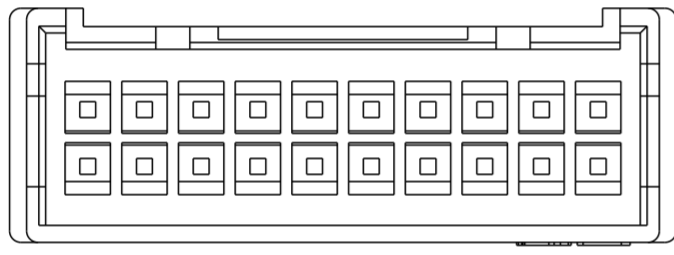


1969593-8 & 1-1969593-0  
SINGLE LATCH W/O CUTOUTS

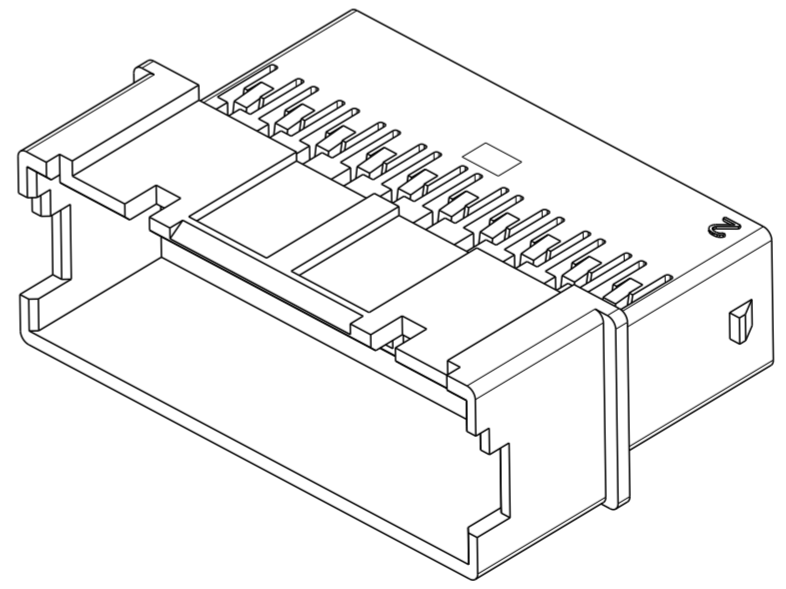


1-1969593-2, 1-1969593-4 & 1-1969593-6  
SINGLE LATCH W/ CUTOUTS

1. MATERIAL: NYLON UL94V-0, FLAME RETARDANT, COLOR: NATURAL
2. PARTS TESTED TO IEC 60695-2-11 AND IS COMPLIANT TO IEC 60335-1.
3. HOUSING, MATERIAL MEETS MINIMUM GLOW WIRE FLAMMABILITY INDEX OF 850°C PER IEC 60695-2-12 AND MINIMUM GLOW WIRE IGNITION TEMP OF 775°C PER IEC 60695-2-13.
4. ACCEPTS TE PIN CONTACTS P/N'S 2238007-( ) & 2238008-( )
5. HOUSING ACCEPTS OPTIONAL TPA P/N'S 1969541-( )
6. MATES WITH TE PLUG HOUSINGS P/N'S 1969567-( )



CIRCUIT #1



40	52.89	50.79	4-1969593-0
38	50.39	48.29	3-1969593-8
36	47.89	45.79	3-1969593-6
34	45.39	43.29	3-1969593-4
32	42.89	40.79	3-1969593-2
30	40.39	38.29	3-1969593-0
28	37.89	35.79	2-1969593-8
26	35.39	33.29	2-1969593-6
24	32.89	30.79	2-1969593-4
22	30.39	28.29	2-1969593-2
20	27.89	25.79	2-1969593-0
18	25.39	23.29	1-1969593-8
16	22.89	20.79	1-1969593-6
14	20.39	18.29	1-1969593-4
12	17.89	15.79	1-1969593-2
10	15.39	13.29	1-1969593-0
8	12.89	10.79	1969593-8
POS	DIM.B	DIM.A	PART NO.

THIS DRAWING IS A CONTROLLED DOCUMENT.

DWN: A, NOEL, 03OCT2012  
 CHK: -  
 APVD: -

TE Connectivity

NAME: EP 2.5 DUAL ROW, RECEPTACLE HSG WIRE TO WIRE, GLOW WIRE

PRODUCT SPEC: 108-2418  
 APPLICATION SPEC: 114-13315

SIZE: A2, CAGE CODE: 00779, DRAWING NO: C-1969593, RESTRICTED TO: -

MATERIAL: SEE NOTES, TOLERANCES UNLESS OTHERWISE SPECIFIED: SEE NOTES

Customer Drawing, SCALE: 3:1, SHEET 1 OF 1, REV B

## X-ON Electronics

Largest Supplier of Electrical and Electronic Components

*Click to view similar products for [Headers & Wire Housings](#) category:*

*Click to view products by [TE Connectivity](#) manufacturer:*

Other Similar products are found below :

[892-18-020-10-001101](#) [58102-G61-06LF](#) [582553-1](#) [0009485154](#) [009176003701906](#) [0050291907](#) [LY20-4P-DT1-P1E-BR](#) [02.125.8002.8](#)  
[609-3404](#) [61062-3](#) [61082-181009](#) [622-3653LF](#) [63453-116](#) [636-1030](#) [636-1427](#) [636-3427](#) [636-4007](#) [641938-9](#) [641991-4](#) [644827-2](#) [65817-010LF](#) [65817-015LF](#) [65863-015LF](#) [66207-023LF](#) [67095-007LF](#) [67601157](#) [68645-018](#) [68648-049](#) [70.362.1628.0](#) [70-4210](#) [70-4226B](#) [70-4853B](#) [707-5020](#) [707-5028](#) [71.350.2428.0](#) [71918-208LF](#) [71961-016LF](#) [733-134](#) [733-162](#) [754199-000](#) [760-3052](#) [787-8014-00](#) [79531-3000](#)  
[FCN-360C032-B](#) [FCN-367T-T012/H](#) [FCN-723D010/2](#) [80.063.4001.1](#) [800-90-001-10-001000](#) [800-90-010-10-002000](#) [801-43-002-10-013000](#)