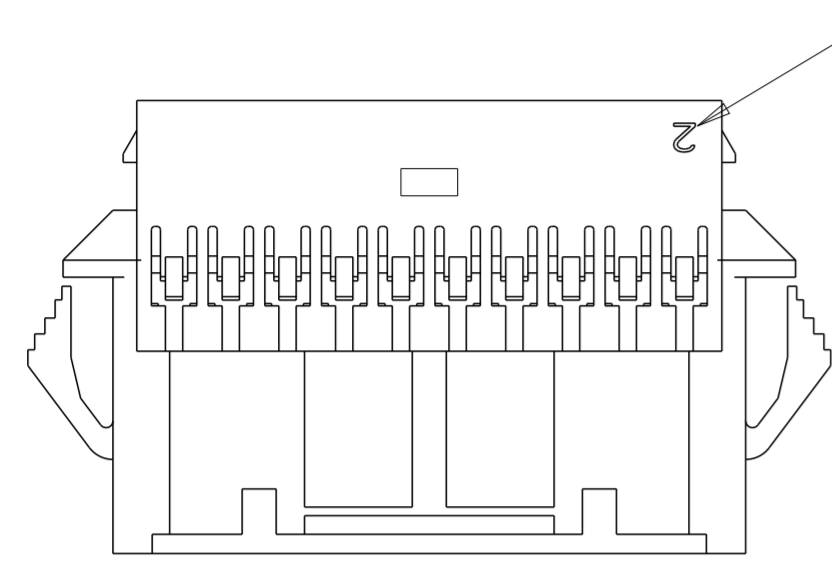


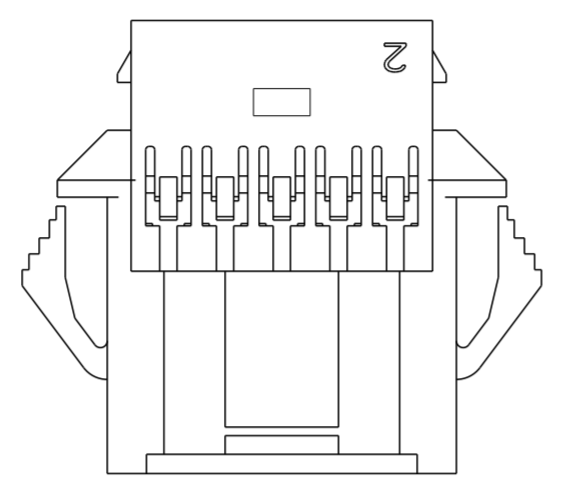
THIS DRAWING IS UNPUBLISHED. RELEASED FOR PUBLICATION 20
 © COPYRIGHT 20 BY - ALL RIGHTS RESERVED.

LOC		DIST		REVISIONS			
P	LTR	DESCRIPTION		DATE	DWN	APVD	
	B	REVISED PER ECR-15-006219		30APR2015	NK	JR	

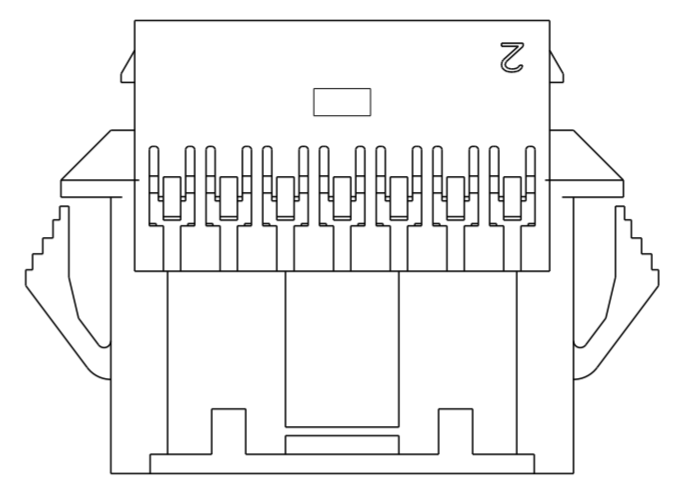
1. MATERIAL: NYLON UL94V-0, FLAME RETARDANT, COLOR: NATURAL
2. PARTS TESTED TO IEC 60695-2-11 AND IS COMPLIANT TO IEC 60335-1.
3. HOUSING, MATERIAL MEETS MINIMUM GLOW WIRE FLAMMABILITY INDEX OF 850°C PER IEC 60695-2-12 AND MINIMUM GLOW WIRE IGNITION TEMP OF 775°C PER IEC 60695-2-13.
4. ACCEPTS TE PIN CONTACTS P/N'S 2238007-()
5. HOUSING ACCEPTS OPTIONAL TPA P/N'S 1969541-()
6. MATES WITH TE PLUG HOUSINGS P/N'S 1969567-()



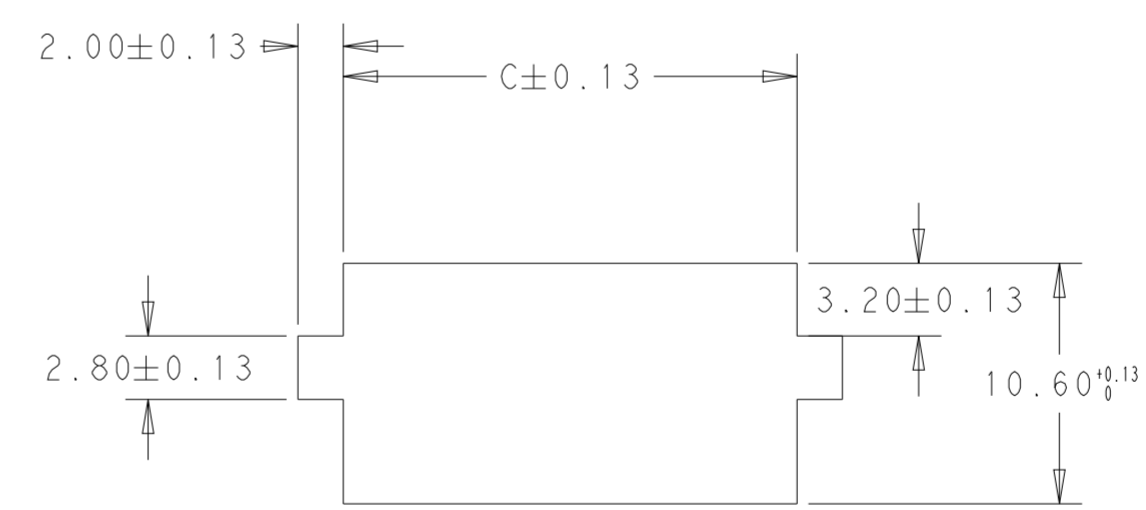
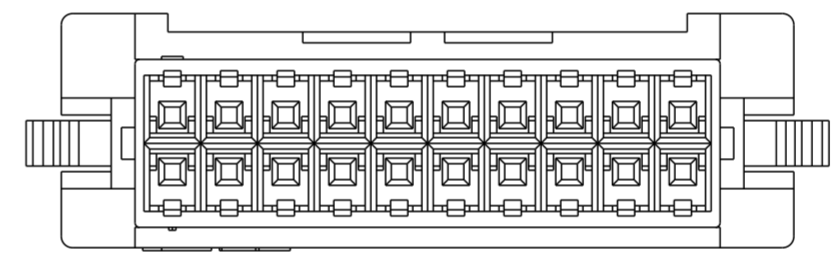
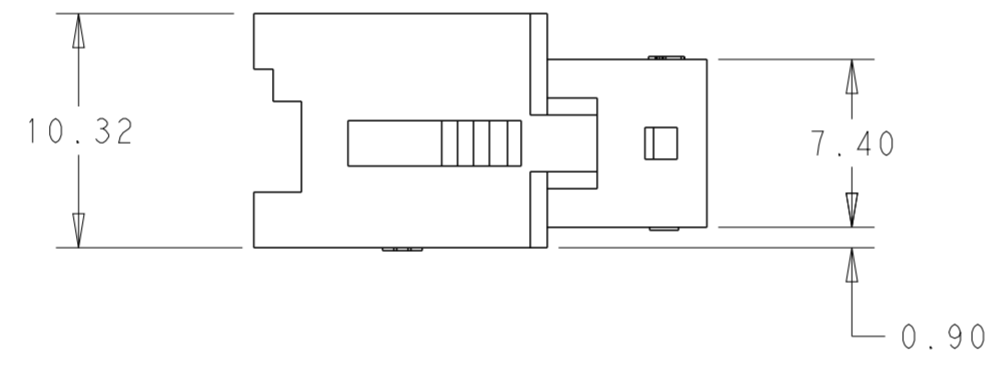
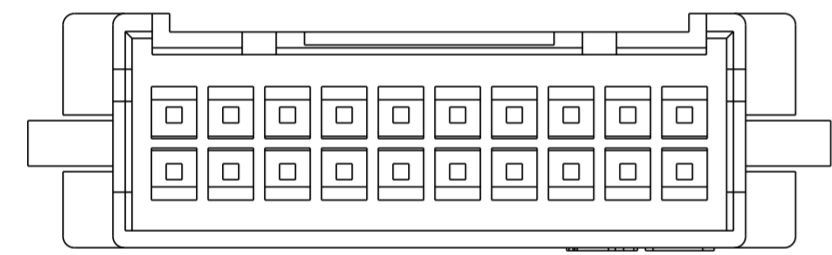
1-1969595-8 THROUGH 4-1969595-0
DOUBLE LATCH



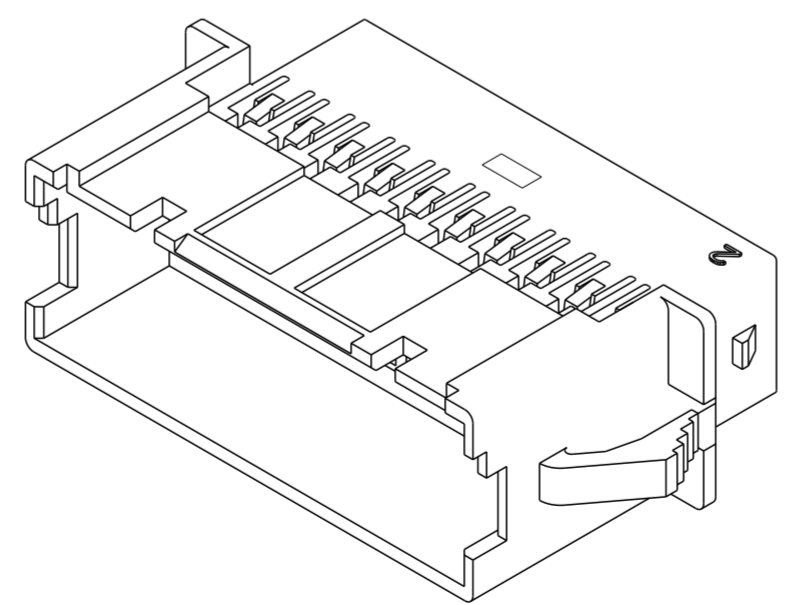
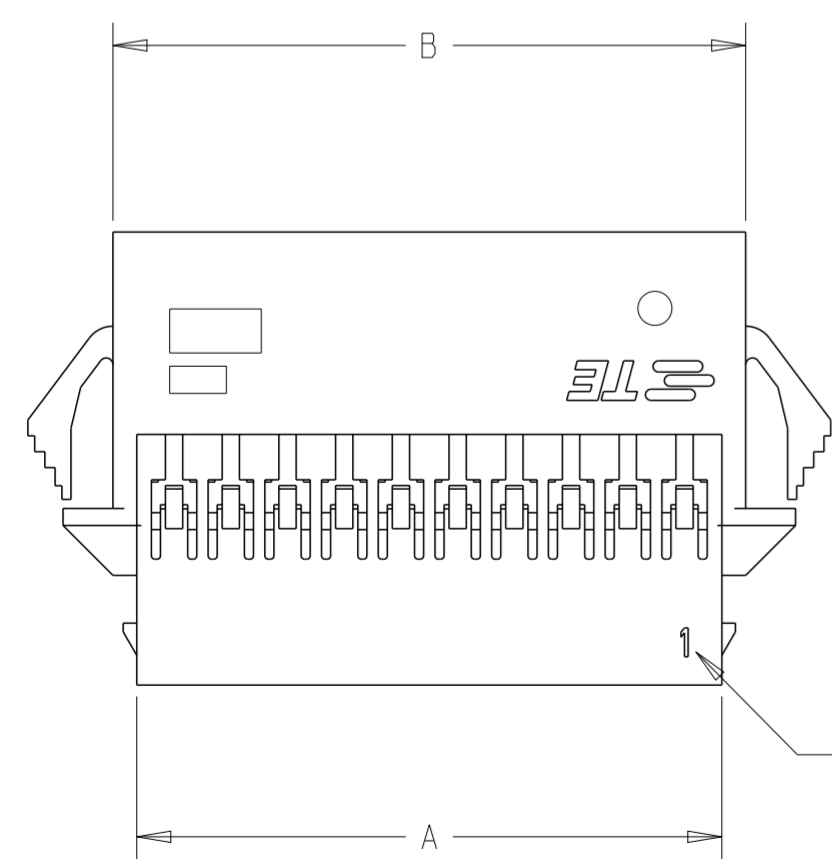
1969595-8 & 1-1969595-0
SINGLE LATCH W/O CUTOUTS



1-1969595-2, 1-1969595-4 & 1-1969595-6
SINGLE LATCH W/ CUTOUTS



RECOMMENDED PANEL CUTOUT DIMENSIONS



POS	DIM.C	DIM.B	DIM.A	PART NO.
40	54.50	52.89	50.79	4-1969595-0
38	52.00	50.39	48.29	3-1969595-8
36	49.50	47.89	45.79	3-1969595-6
34	47.00	45.39	43.29	3-1969595-4
32	44.50	42.89	40.79	3-1969595-2
30	42.00	40.39	38.29	3-1969595-0
28	39.50	37.89	35.79	2-1969595-8
26	37.00	35.39	33.29	2-1969595-6
24	34.50	32.89	30.79	2-1969595-4
22	32.00	30.39	28.29	2-1969595-2
20	29.50	27.89	25.79	2-1969595-0
18	27.00	25.39	23.29	1-1969595-8
16	24.50	22.89	20.79	1-1969595-6
14	22.00	20.39	18.29	1-1969595-4
12	19.50	17.89	15.79	1-1969595-2
10	17.00	15.39	13.29	1-1969595-0
8	14.50	12.89	10.79	1969595-8

THIS DRAWING IS A CONTROLLED DOCUMENT. DWN: A, NOEL, 03OCT2012
 CHK: -
 APVD: -

DIMENSIONS: mm. TOLERANCES UNLESS OTHERWISE SPECIFIED:
 0 PLC ±
 1 PLC ±
 2 PLC ±0.20
 3 PLC ±
 4 PLC ±
 ANGLES ±
 FINISH

MATERIAL: SEE NOTES. PRODUCT SPEC: 108-2418. APPLICATION SPEC: 114-13315. WEIGHT: -

Customer Drawing. SCALE: 3:1. SHEET 1 OF 1. REV B

TE Connectivity
 EP 2.5 DUAL ROW, RECEPTACLE HSG
 WIRE TO WIRE, PANEL MOUNT
 GLOW WIRE

SIZE: A2. CAGE CODE: 00779. DRAWING NO: C-1969595. RESTRICTED TO: -

X-ON Electronics

Largest Supplier of Electrical and Electronic Components

Click to view similar products for [Headers & Wire Housings](#) category:

Click to view products by [TE Connectivity](#) manufacturer:

Other Similar products are found below :

[892-18-020-10-001101](#) [58102-G61-06LF](#) [582553-1](#) [0009485154](#) [009176003701906](#) [0050291907](#) [LY20-4P-DT1-P1E-BR](#) [02.125.8002.8](#)
[609-3404](#) [61062-3](#) [61082-181009](#) [622-3653LF](#) [63453-116](#) [636-1030](#) [636-1427](#) [636-3427](#) [636-4007](#) [641938-9](#) [641991-4](#) [644827-2](#) [65817-010LF](#) [65817-015LF](#) [65863-015LF](#) [66207-023LF](#) [67095-007LF](#) [67601157](#) [68645-018](#) [68648-049](#) [70.362.1628.0](#) [70-4210](#) [70-4226B](#) [70-4853B](#) [707-5020](#) [707-5028](#) [71.350.2428.0](#) [71918-208LF](#) [71961-016LF](#) [733-134](#) [733-162](#) [754199-000](#) [760-3052](#) [787-8014-00](#) [79531-3000](#)
[FCN-360C032-B](#) [FCN-367T-T012/H](#) [FCN-723D010/2](#) [80.063.4001.1](#) [800-90-001-10-001000](#) [800-90-010-10-002000](#) [801-43-002-10-013000](#)