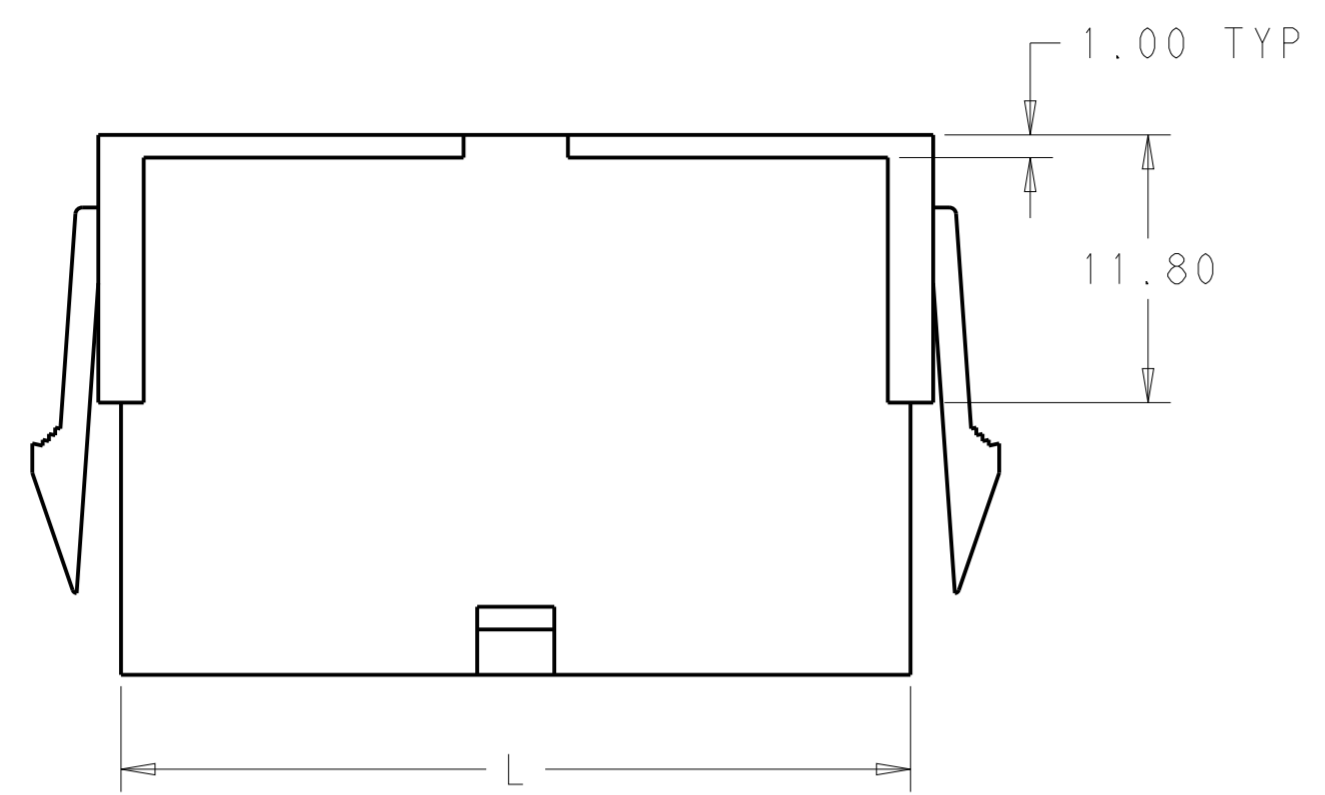
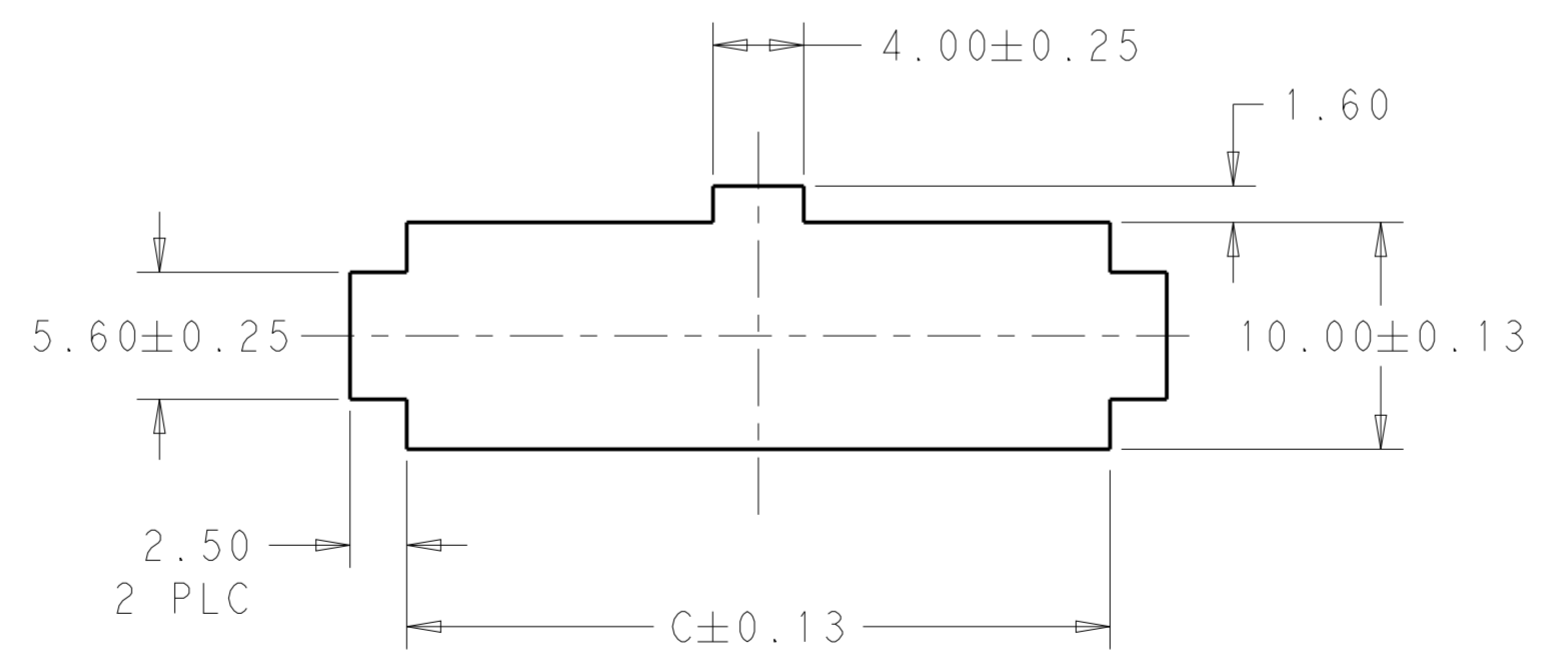
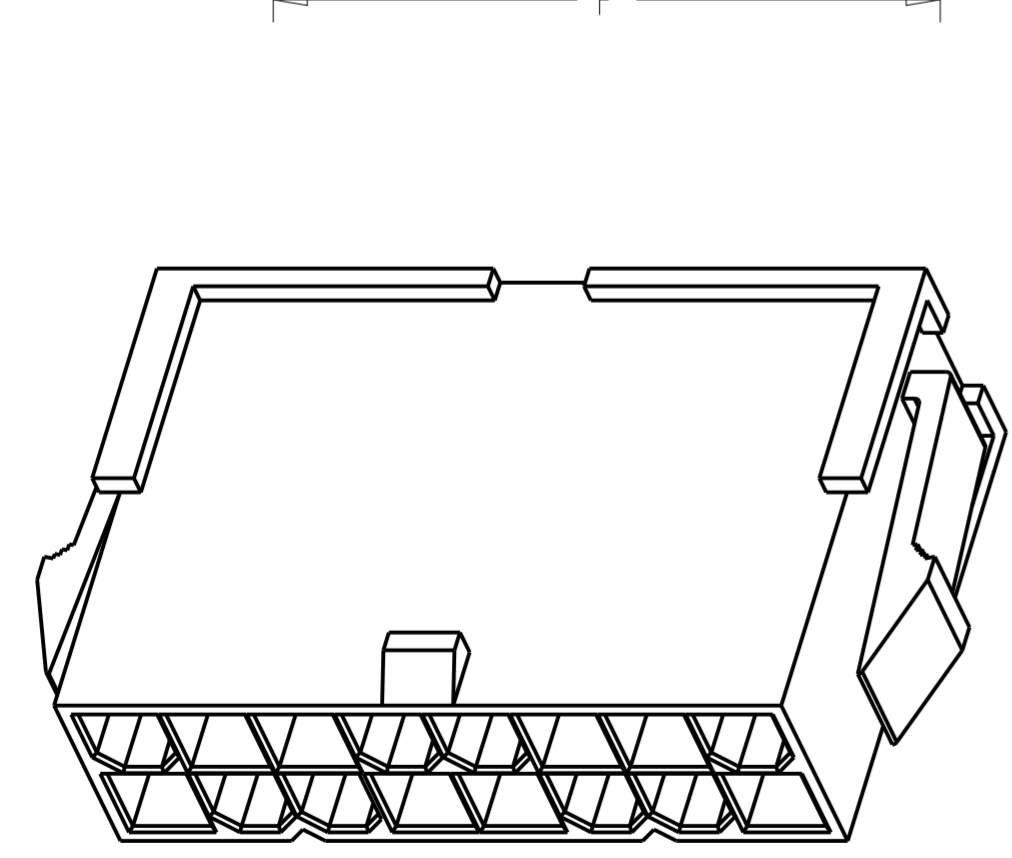
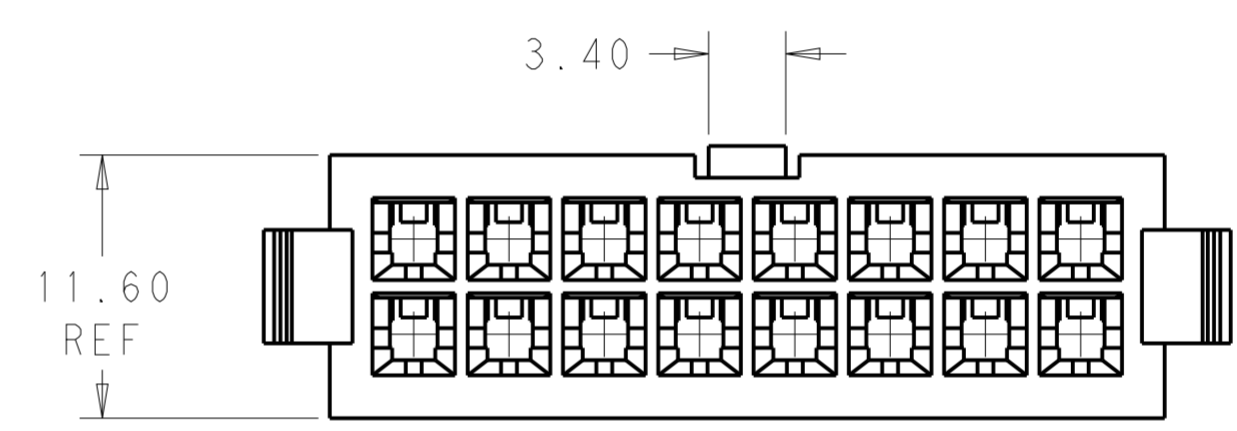
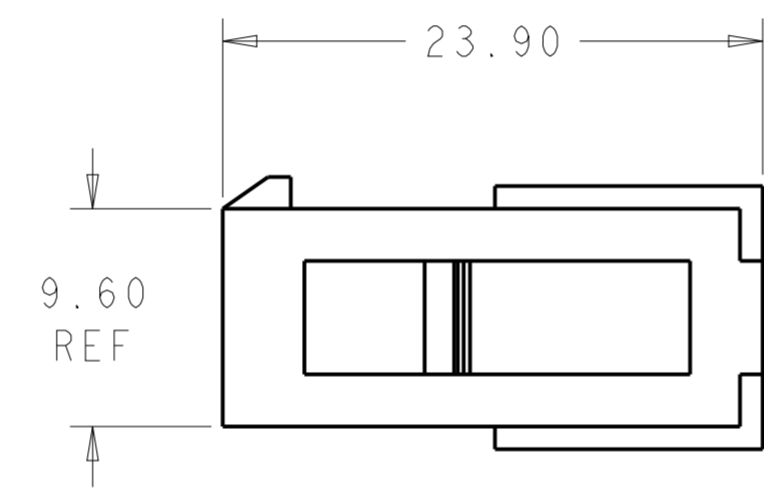
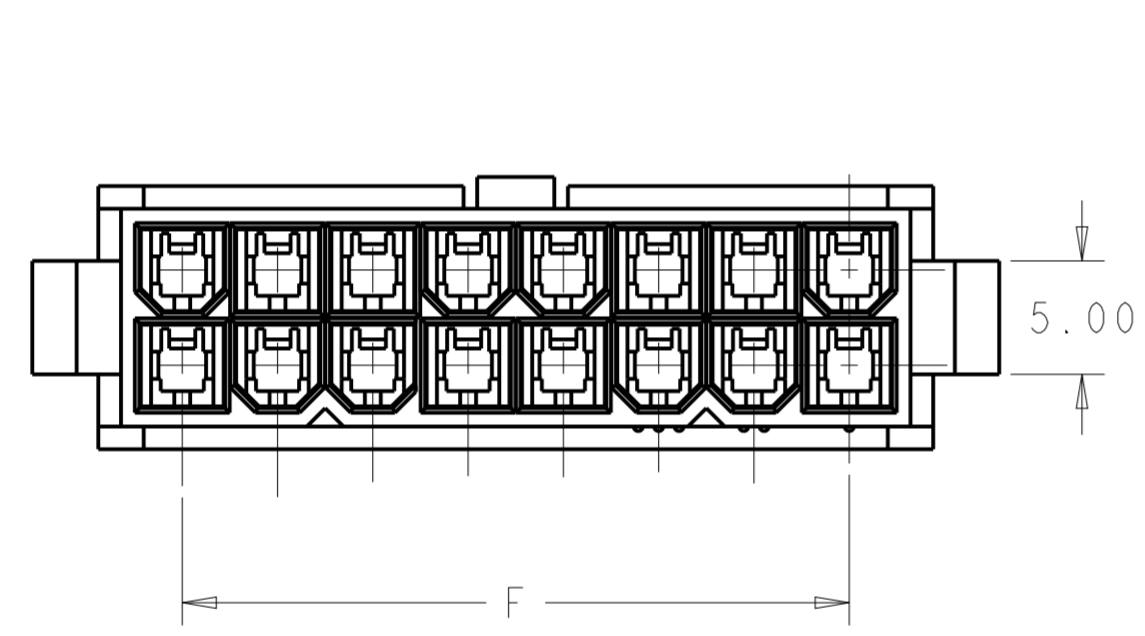


THIS DRAWING IS UNPUBLISHED. RELEASED FOR PUBLICATION 20
 © COPYRIGHT 20 BY - ALL RIGHTS RESERVED.

| LOC | | DIST | | REVISIONS | | | |
|-----|-----|-------------|---------------------------|-----------|------|----|--|
| P | LTR | DESCRIPTION | DATE | DWN | APVD | | |
| AF | - | A1 | REVISED PER ECR-14-004708 | 28MAR14 | JR | KR | |



- 1 POLYAMIDE, UL94V-2, COLOR- WHITE
- 2 FLAMMABILITY V2 FOR THICKNESS 0.38mm, 1.5mm NAD 3.0mm PER IEC 60695-11-10.
- 3 GLOW-WIRE FLAMMABILITY (GWFI) 800°C FOR THICKNESS 0.38mm AND 0.75mm PER IEC 60695-2-12.
- 4 GLOW-WIRE FLAMMABILITY (GWFI) 960°C FOR THICKNESS 1.5mm AND 3.0mm PER IEC 60695-2-12.
- 5 GLOW-WIRE IGNITION (GWIT) 825°C FOR THICKNESS 0.38mm, 0.75mm, 1.5mm AND 3.0mm PER IEC 60695-2-13.
- 6 COMPLY WITH GLOW WIRE REQUIREMENTS FOR PARTS OF NON-METALLIC MATERIAL SUPPORTING A CURRENT-CARRYING CONNECTION DETAILED IN IEC 60335-1, SECTION 30(GWT).



| | | | | |
|-------|-------|-------|------------|-------------|
| 52.00 | 46.2 | 51.60 | 24 | 2-1969605-4 |
| 47.80 | 42.0 | 47.40 | 22 | 2-1969605-2 |
| 43.60 | 37.8 | 43.20 | 20 | 2-1969605-0 |
| 39.40 | 33.6 | 39.00 | 18 | 1-1969605-8 |
| 35.20 | 29.4 | 34.80 | 16 | 1-1969605-6 |
| 31.00 | 25.2 | 30.60 | 14 | 1-1969605-4 |
| 26.80 | 21.0 | 26.40 | 12 | 1-1969605-2 |
| 22.60 | 16.8 | 22.20 | 10 | 1-1969605-0 |
| 18.40 | 12.6 | 18.00 | 8 | 1969605-8 |
| 14.20 | 8.4 | 13.80 | 6 | 1969605-6 |
| 10.00 | 4.2 | 9.60 | 4 | 1969605-4 |
| 5.80 | -- | 5.40 | 2 | 1969605-2 |
| DIM C | DIM F | DIM L | NO. OF POS | PART NO. |

RECOMMENDED CUT-OUT FOR 2.00 MAX THICK PANEL

PANEL MUST BE PUNCHED OUT SO THAT THE HOUSING ENTERS THE PANEL IN THE SAME DIRECTION AS THE PUNCH.

THIS DRAWING IS A CONTROLLED DOCUMENT.

| | | | |
|----------------|--|------------------------------|---|
| DIMENSIONS: mm | TOLERANCES UNLESS OTHERWISE SPECIFIED: | DWN: JR RUTH 26SEPT13 | TE Connectivity |
| | | CHK: KURT RANDOLPH 26SEPT13 | |
| | | APVD: KURT RANDOLPH 26SEPT13 | |
| | | NAME: KURT RANDOLPH | |
| | | PRODUCT SPEC: - | NAME: PANEL MOUNT PLUG HOUSING VAL-U-LOK, GLOW WIRE |
| MATERIAL: | FINISH: - | APPLICATION SPEC: - | SIZE: A200779 |
| | | WEIGHT: - | DRAWING NO: C-1969605 |
| | | Customer Drawing | RESTRICTED TO: - |
| | | SCALE: 3:1 | SHEET 1 OF 1 |
| | | | REV: A1 |

X-ON Electronics

Largest Supplier of Electrical and Electronic Components

Click to view similar products for [Headers & Wire Housings](#) category:

Click to view products by [TE Connectivity](#) manufacturer:

Other Similar products are found below :

[892-18-020-10-001101](#) [58102-G61-06LF](#) [582553-1](#) [0009485154](#) [009176003701906](#) [0050291907](#) [LY20-4P-DT1-P1E-BR](#) [02.125.8002.8](#)
[609-3404](#) [61062-3](#) [61082-181009](#) [622-3653LF](#) [63453-116](#) [636-1030](#) [636-1427](#) [636-3427](#) [636-4007](#) [641938-9](#) [641991-4](#) [644827-2](#) [65817-](#)
[010LF](#) [65817-015LF](#) [65863-015LF](#) [66207-023LF](#) [67095-007LF](#) [67601157](#) [68645-018](#) [68648-049](#) [70.362.1628.0](#) [70-4210](#) [70-4226B](#) [70-](#)
[4853B](#) [707-5020](#) [707-5028](#) [71.350.2428.0](#) [71918-208LF](#) [71961-016LF](#) [733-134](#) [733-162](#) [754199-000](#) [760-3052](#) [787-8014-00](#) [79531-3000](#)
[FCN-360C032-B](#) [FCN-367T-T012/H](#) [FCN-723D010/2](#) [80.063.4001.1](#) [800-90-001-10-001000](#) [800-90-010-10-002000](#) [801-43-002-10-013000](#)