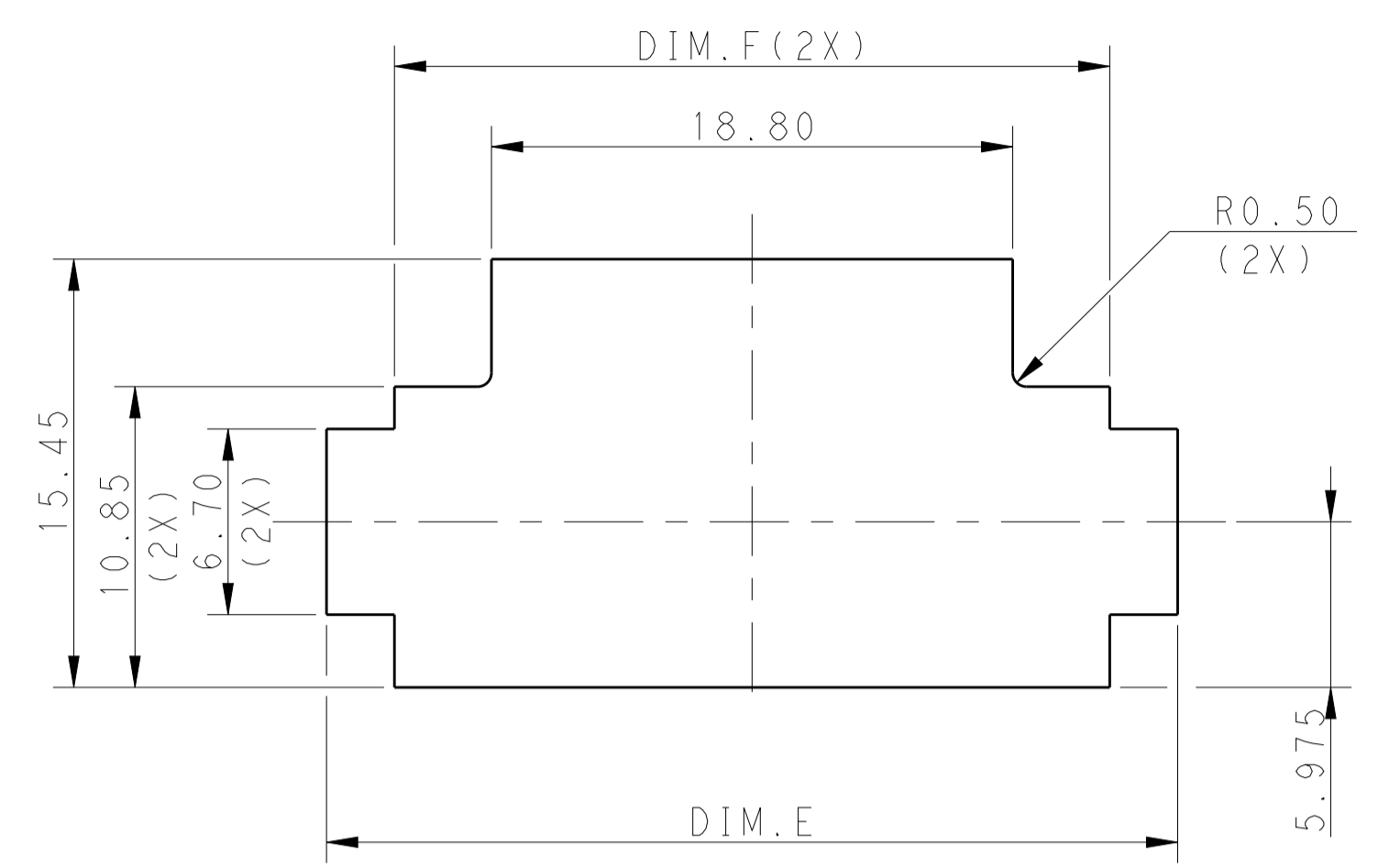
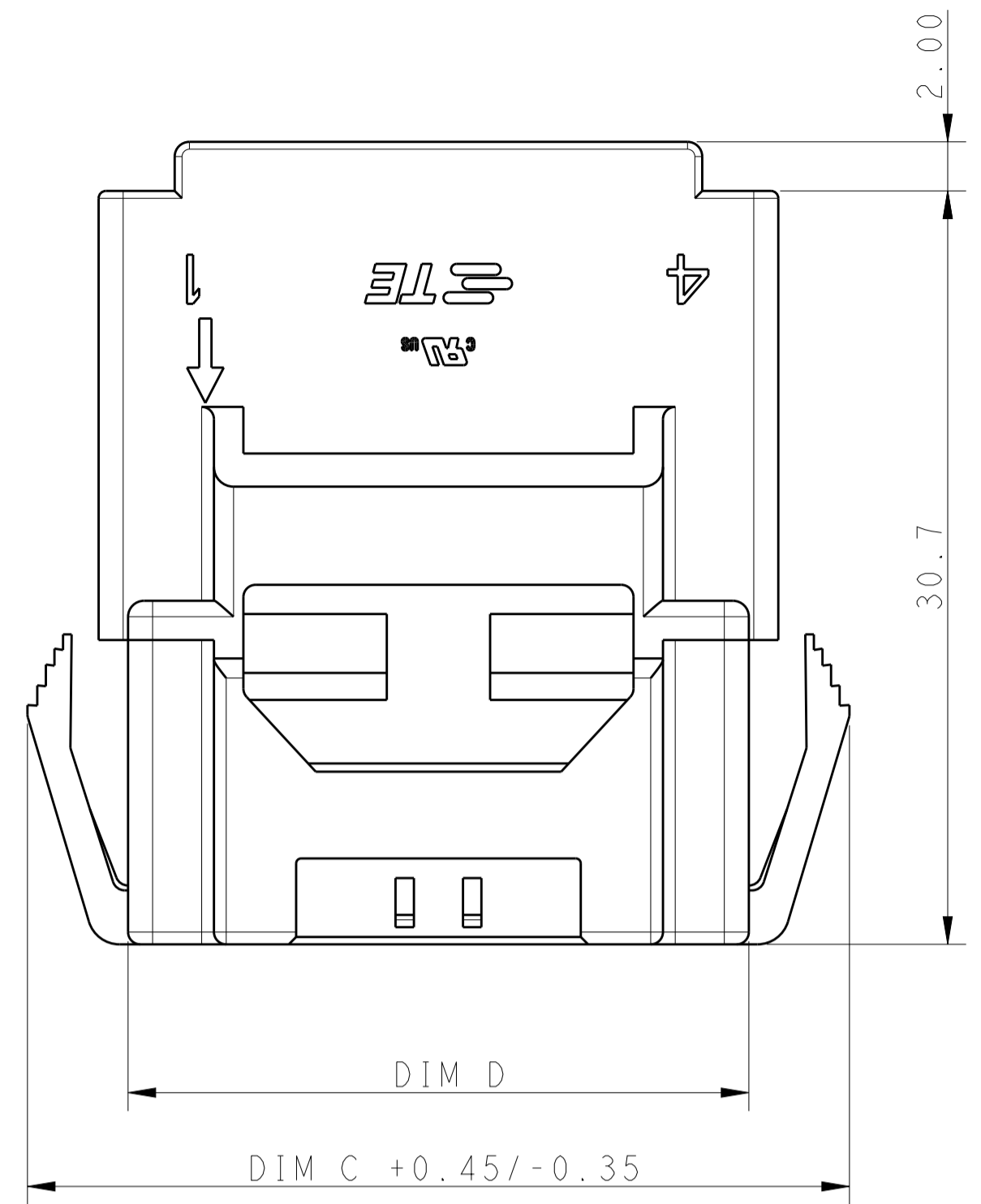
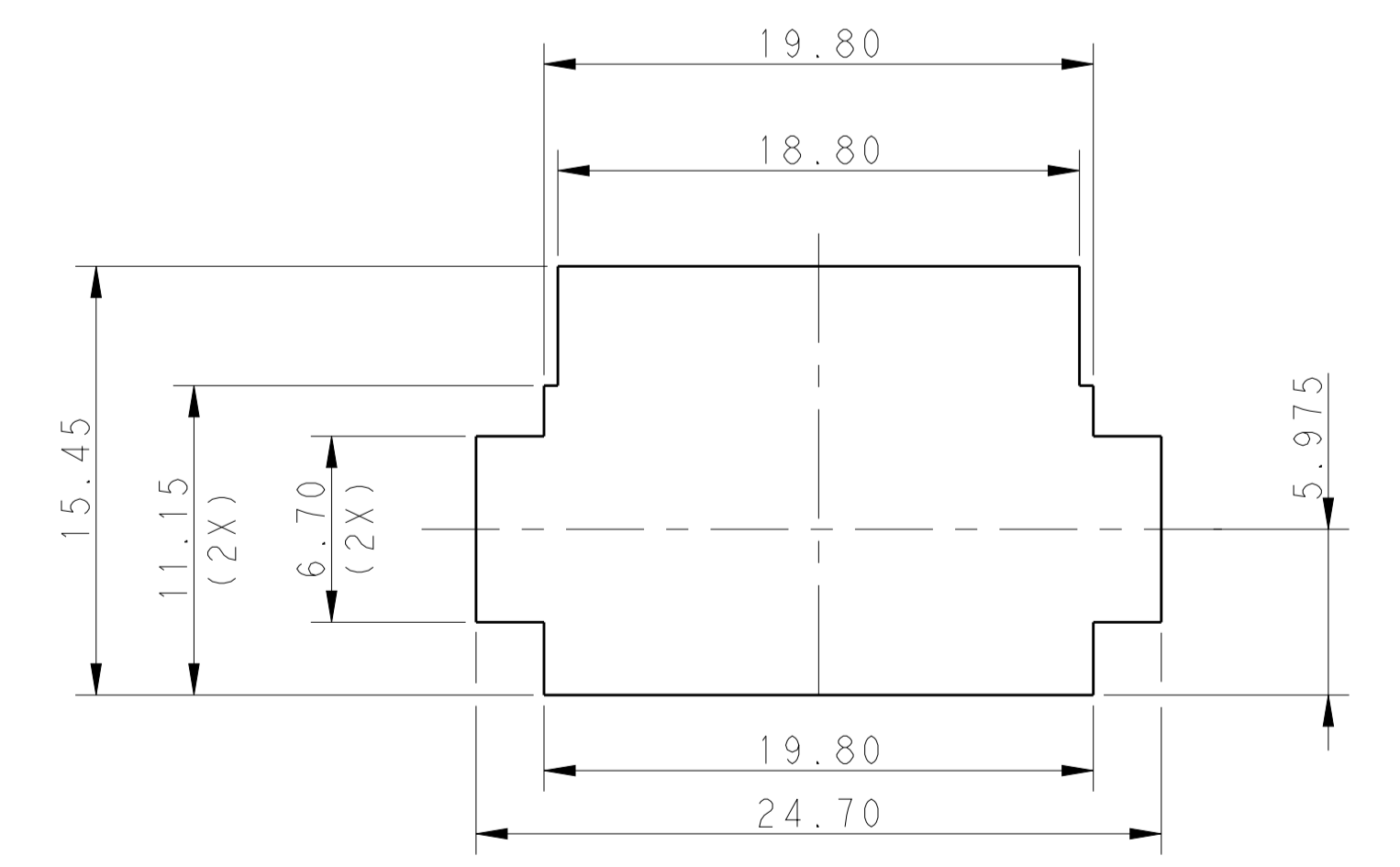
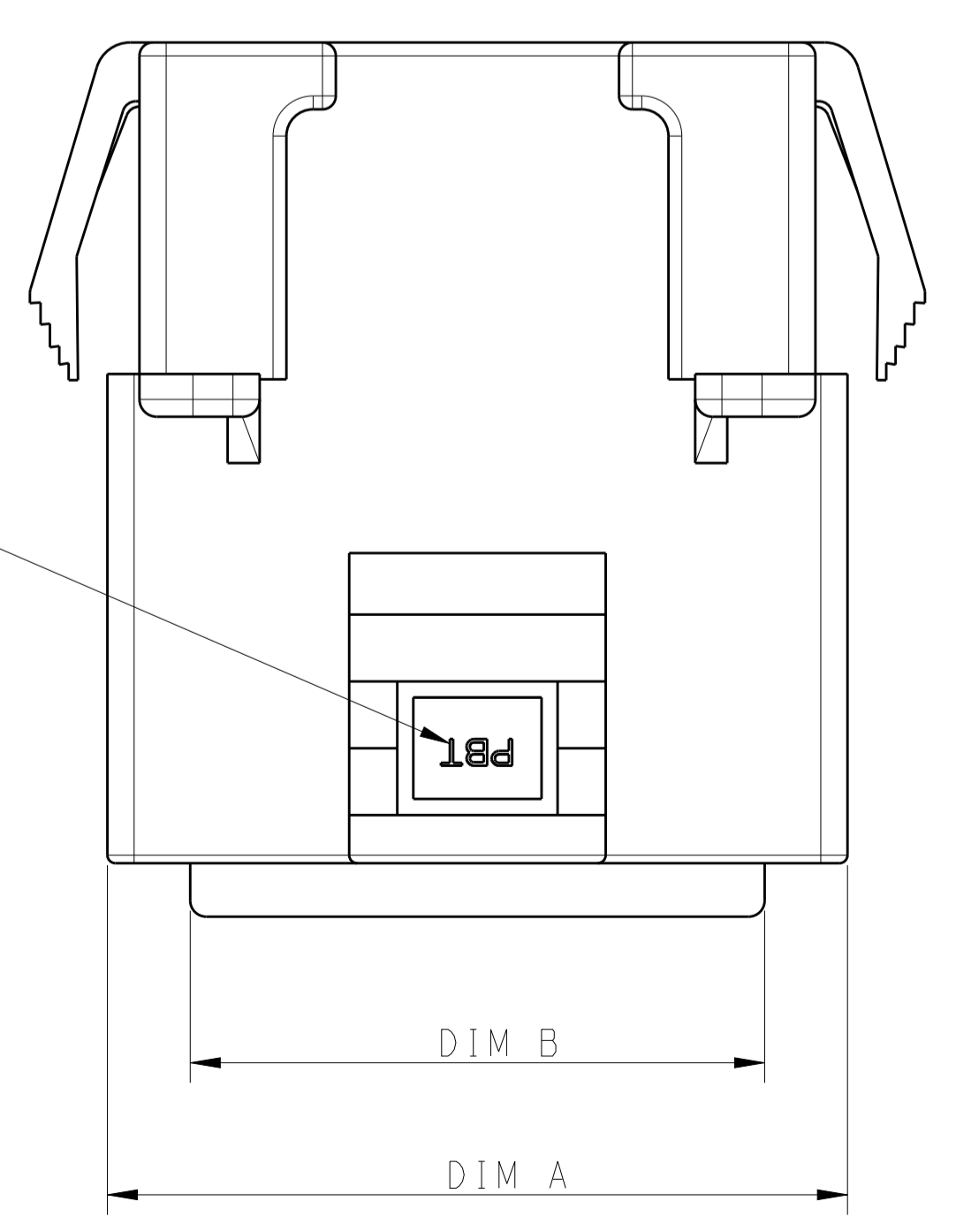
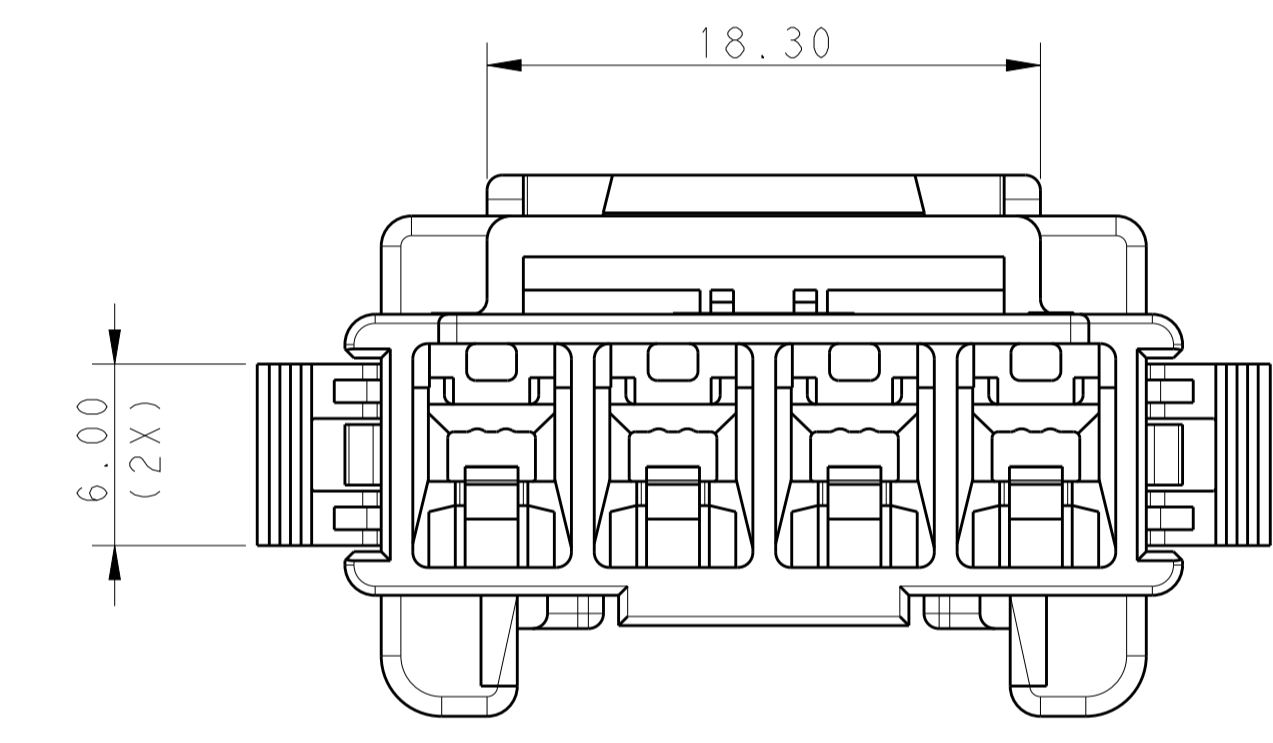
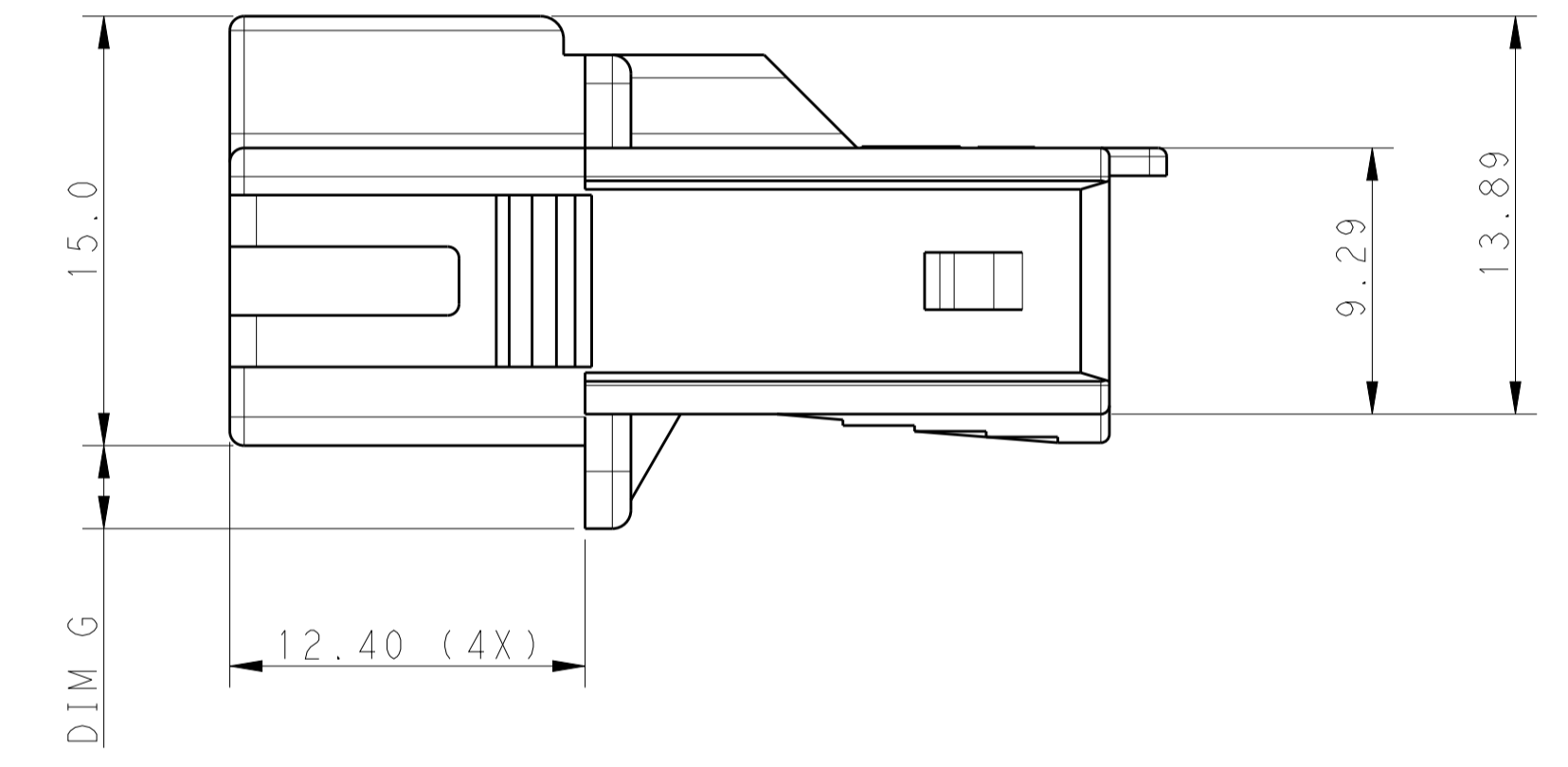
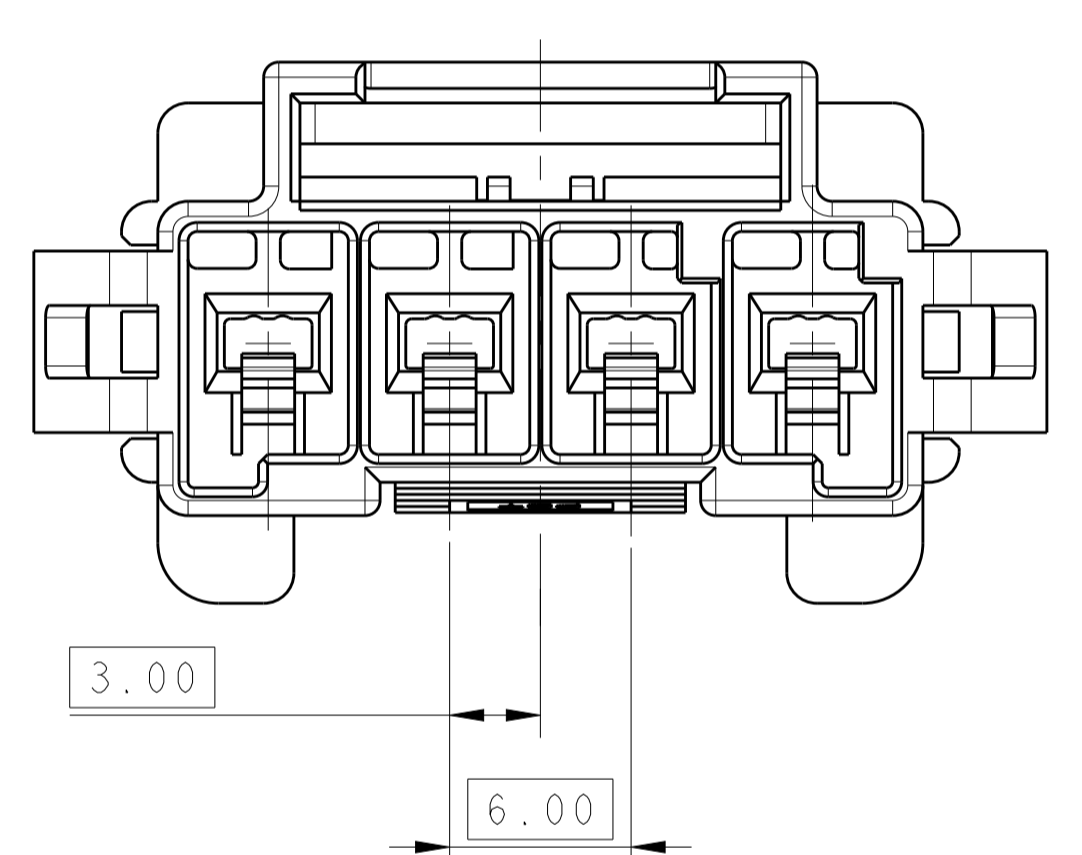


LOC		DIST		REVISIONS			
P	LTN	DESCRIPTION	DATE	DMN	APVD		
D1		REVISED PER ECO-19-011745	30JUL2019	RS	DS		

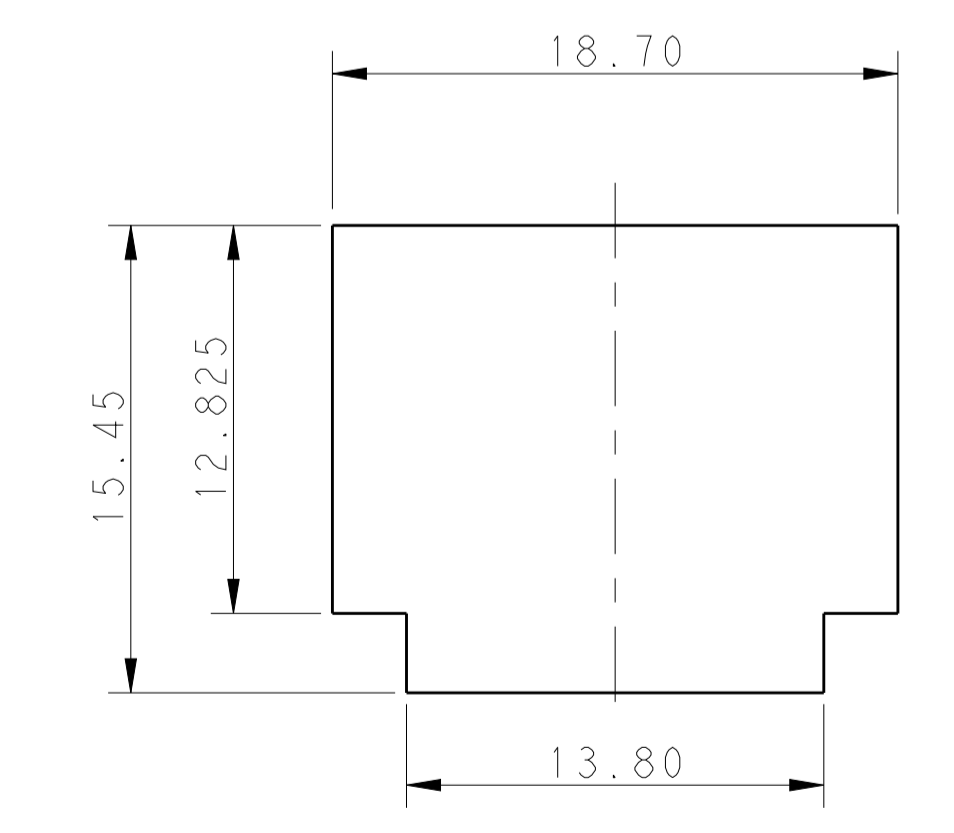


RECOMMENDED PANEL OPENING DIMENSIONS FOR CAP HOUSING 1\*5 AND 1\*4 POSITIONS (TOLERANCE: ±0.15mm)

- 1 MATERIAL:  
LEVEL 1:PBT GLASS FILLED, STANDARD TEMPERATURE 105°C  
KEY A:NATURAL; KEY B:PURPLE; KEY C:BLUE; KEY D:YELLOW  
LEVEL 2:NYLON, HIGH TEMPERATURE 150°C  
KEY A:LIGHT GREY; KEY B:RED; KEY C:BLACK; KEY D:NATURAL
- 2 MATERIAL MARK:  
LEVEL 1:PBT, LEVEL 2:HDT
- 3 APPLICABLE CONTACT P/N  
TAB CONTACT:1971238/1971780/82/84/86/88-\*,2238067-\*
- 4 MATING CONN, P/N  
PLUG HSG:\*-1971773-  
TPA (LOCK PLATE):\*-1971777-\*
- 5 RECOMMENDED PANEL THICKNESS:1.0-2.0mm
- 6 FLAMMABILITY RATING: UL 94 V-0
- 7 GLOW WIRE COMPLIANT IN ACCORDANCE WITH IEC 60335-1. THIS IS BASED ON THE PRODUCT MEETING A GWEPT 850°C TEST AND A RESIN GWIT >=775°C
- 8 THIS PRODUCT HAS NOT COMPLETED VALIDATION TESTING



RECOMMENDED PANEL OPENING DIMENSIONS FOR CAP HOUSING 1\*3 POSITION (TOLERANCE: ±0.15mm)



RECOMMENDED PANEL OPENING DIMENSIONS FOR CAP HOUSING 1\*2 POSITION (TOLERANCE: ±0.15mm)

POS	A	B	C	D	E	F	G
1*5	33.7	27.5	39.5	31.3	36.7	31.8	2.9
1*4	27.7	21.5	33.5	25.3	30.7	25.8	2.9
1*3	21.7	15.5	27.5	19.3			2.5
1*2	15.7	9.5	21.5	13.3			1.1

THIS DRAWING IS A CONTROLLED DOCUMENT.

DMN: TOMMY WU 06JUL2012  
CHK: HAPYE WU 06JUL2012  
APVD: YUHONG MAO 06JUL2012

DIMENSIONS: mm  
TOLERANCES UNLESS OTHERWISE SPECIFIED:  
0 PLC ±0.35  
1 PLC ±0.25  
2 PLC ±0.25  
3 PLC ±0.25  
4 PLC ±0.25  
ANGLES ±0.5

MATERIAL: PBT  
FINISH: -

Customer Drawing

TE Connectivity

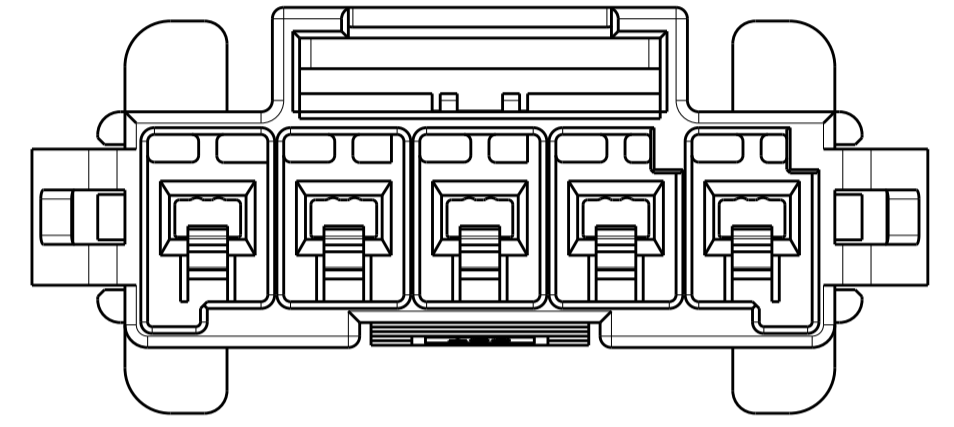
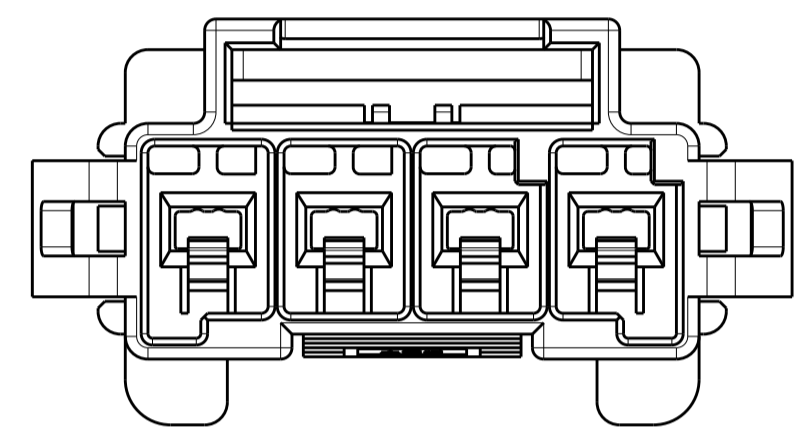
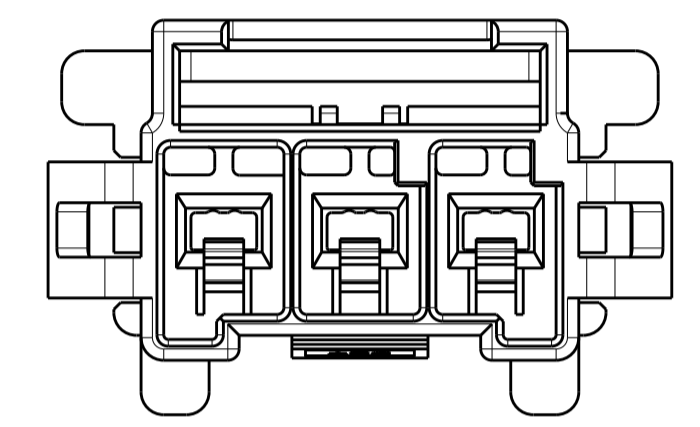
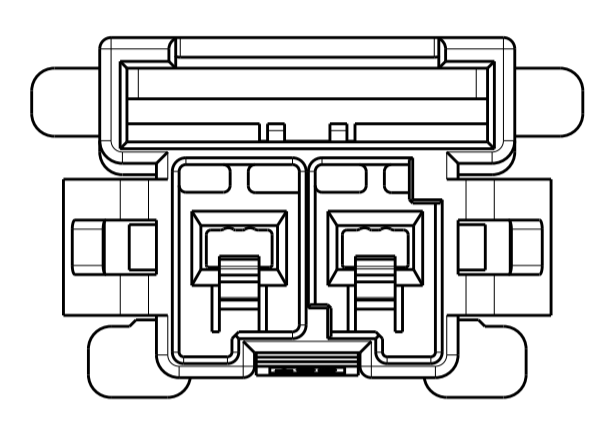
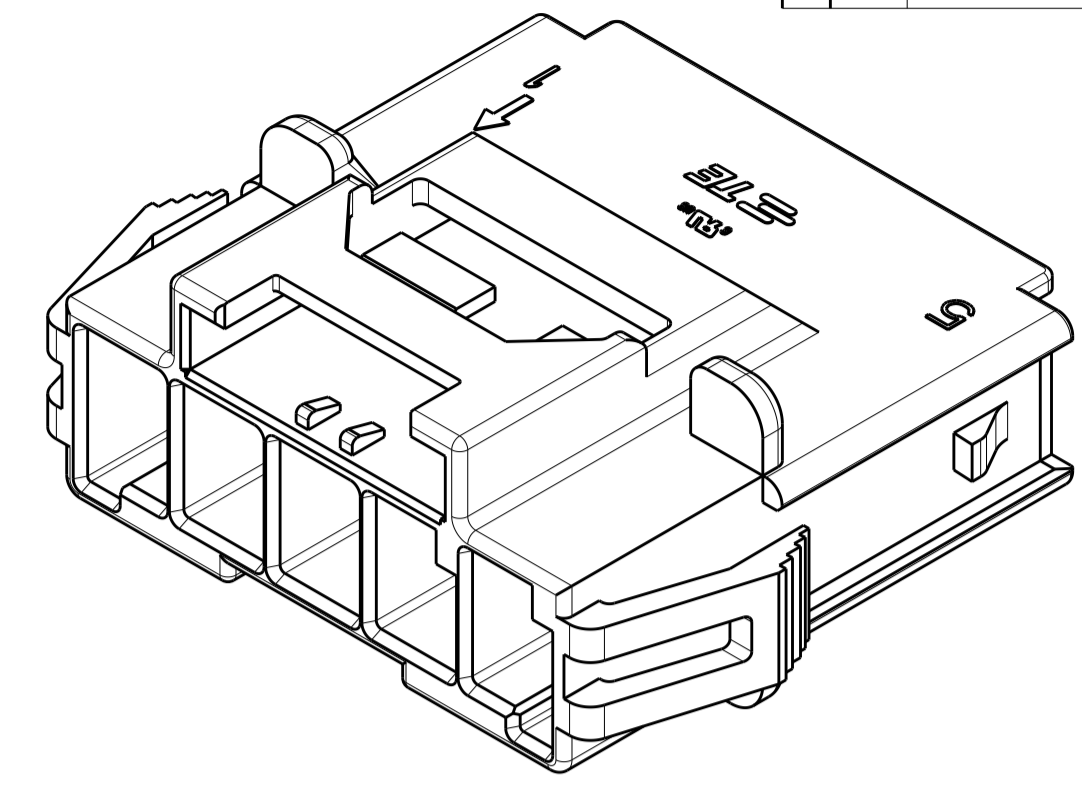
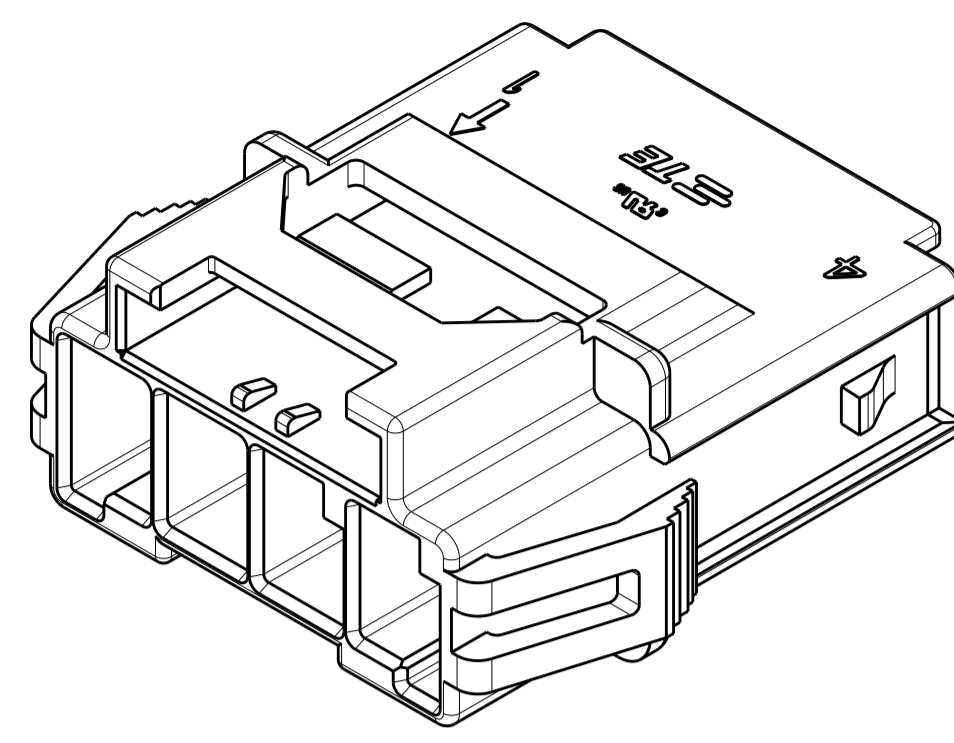
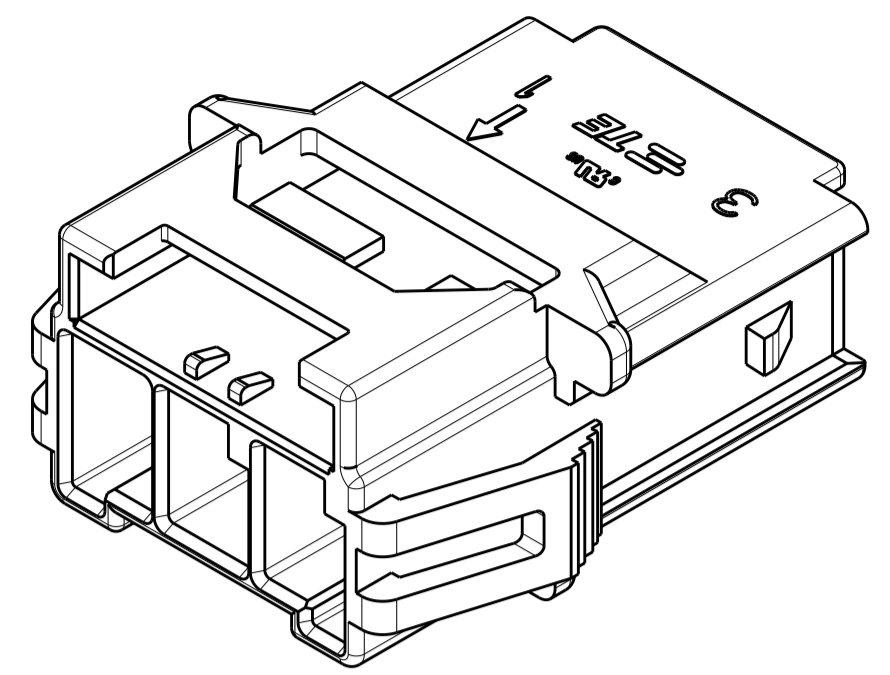
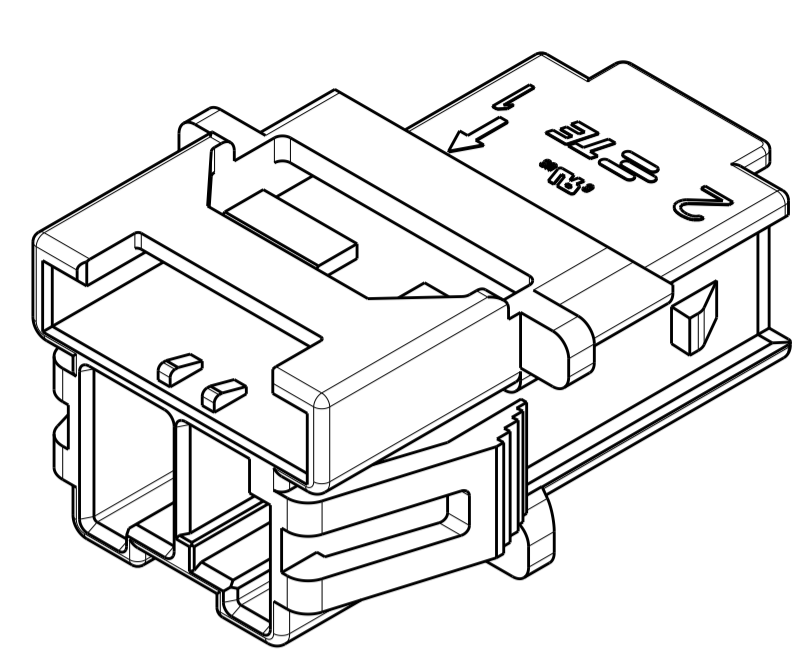
NAME: CAP HOUSING, PANEL MOUNT, SINGLE ROW POWER TRIPLE LOCK

SIZE: A1  
CAGE CODE: 100779  
DRAWING NO: C=1971772

RESTRICTED TO: -

SCALE: 1:1  
SHEET: 1 OF 2  
REV: D1

LOC		DIST		REVISIONS			
				REV	DESCRIPTION	DATE	BY
-	-	-	-	-	SEE SHEET 1	-	-

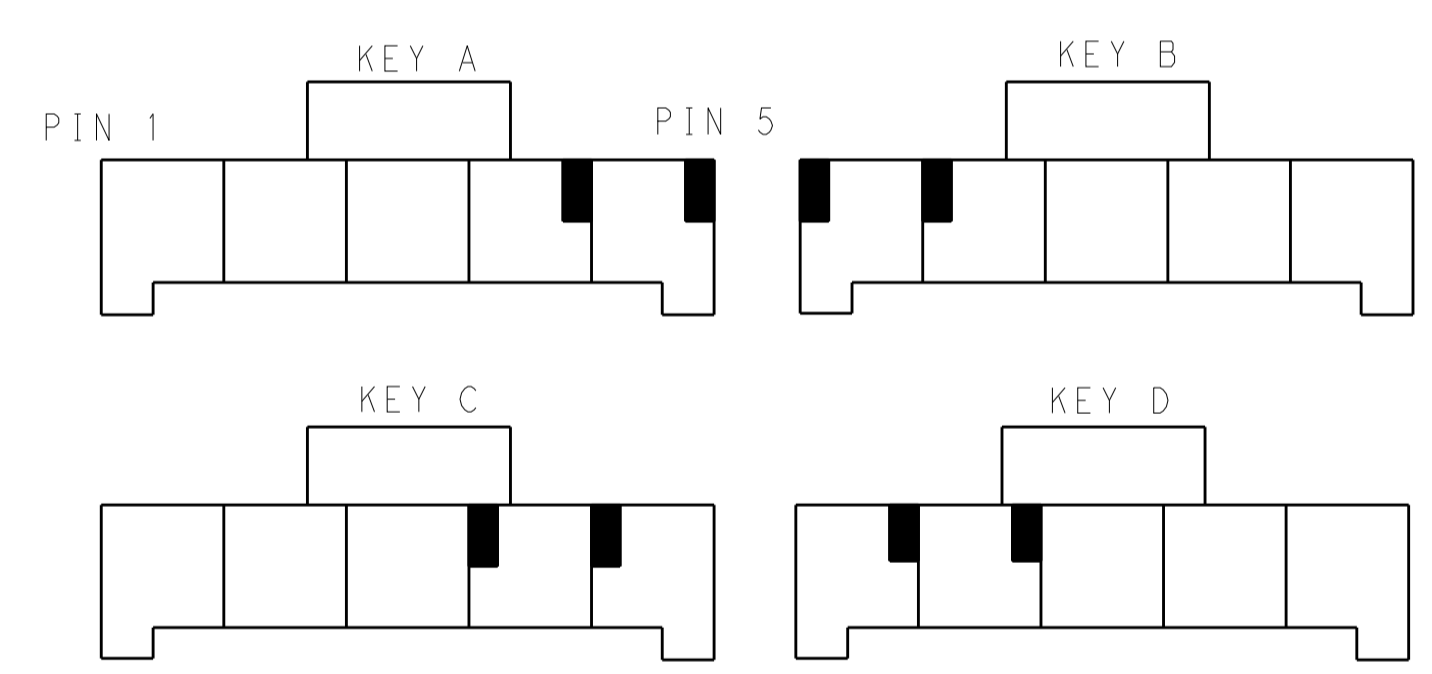
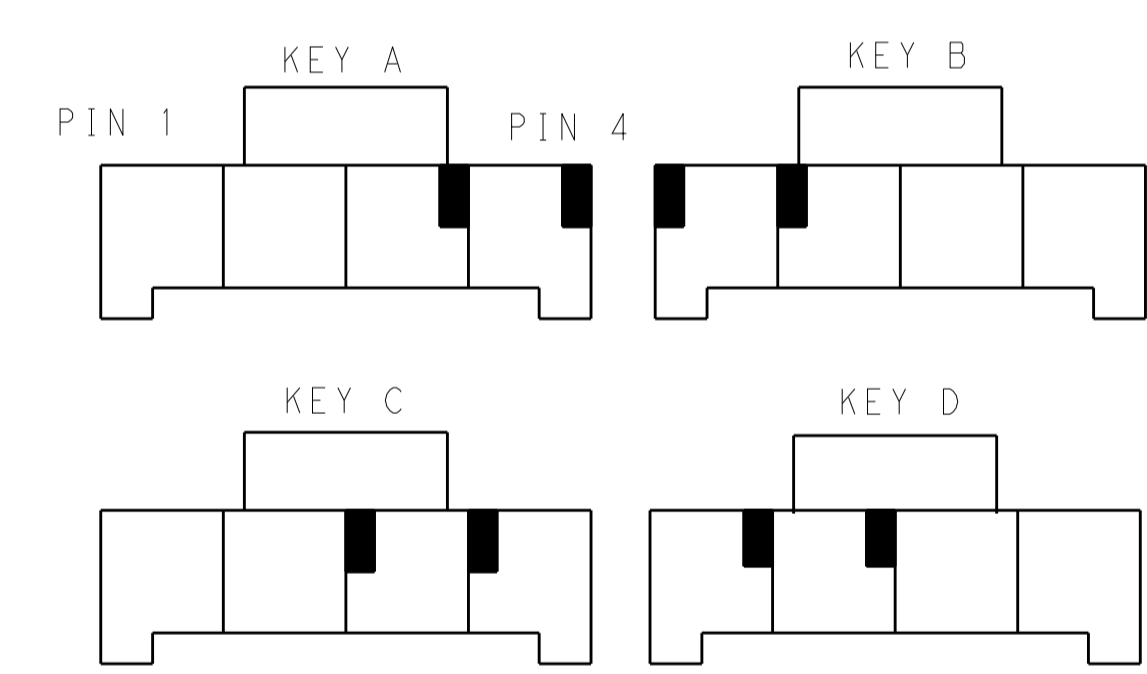
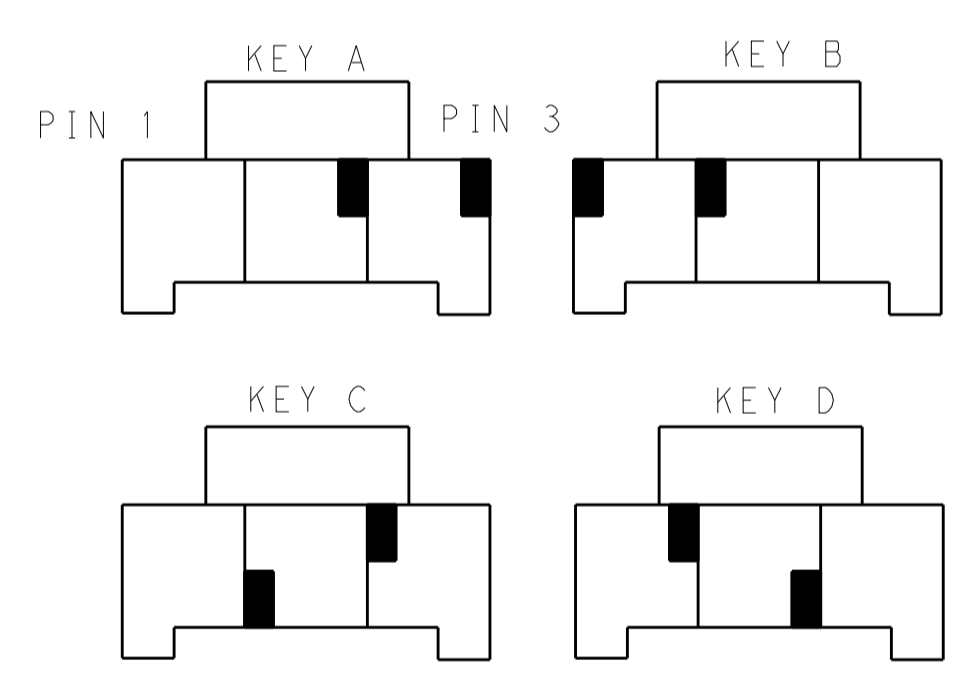
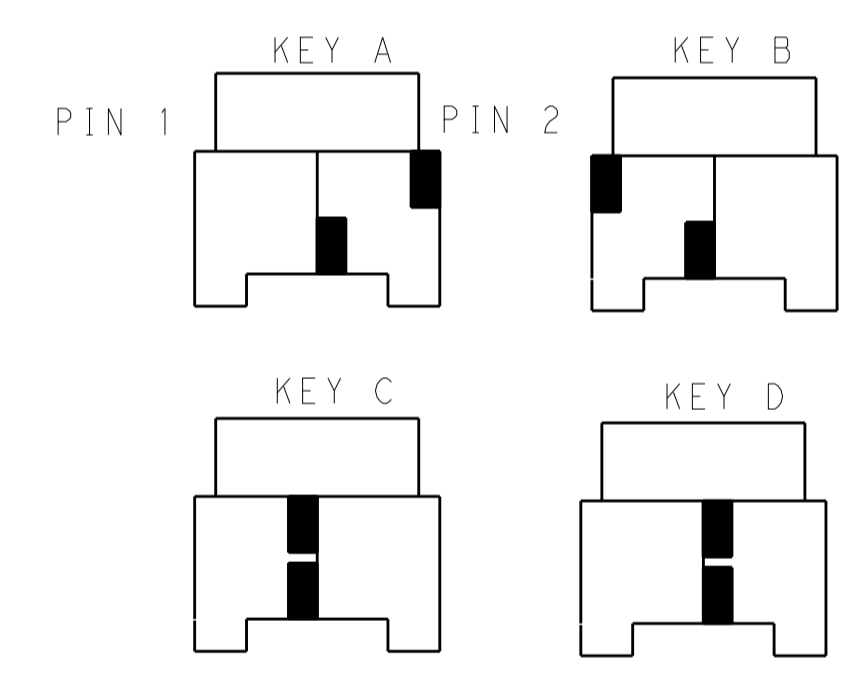


1\*2 POSITIONS

1\*3 POSITIONS

1\*4 POSITIONS

1\*5 POSITIONS



KEYING FOR 1\*2 POS.

KEYING FOR 1\*3 POS.

KEYING FOR 1\*4 POS.

KEYING FOR 1\*5 POS.

POS.	MATERIAL	KEY	P/N
1*3	LEVEL 1	KEY A	1-1971772-3
		KEY B	2-1971772-3
		KEY C	3-1971772-3
		KEY D	4-1971772-3
	LEVEL 2	KEY A	5-1971772-3
		KEY B	6-1971772-3
		KEY C	7-1971772-3
		KEY D	8-1971772-3
1*2	LEVEL 1	KEY A	1-1971772-2
		KEY B	2-1971772-2
		KEY C	3-1971772-2
		KEY D	4-1971772-2
	LEVEL 2	KEY A	5-1971772-2
		KEY B	6-1971772-2
		KEY C	7-1971772-2
		KEY D	8-1971772-2

POS.	MATERIAL	KEY	P/N
1*4	LEVEL 1	KEY A	1-1971772-4
		KEY B	2-1971772-4
		KEY C	3-1971772-4
		KEY D	4-1971772-4
	LEVEL 2	KEY A	5-1971772-4
		KEY B	6-1971772-4
		KEY C	7-1971772-4
		KEY D	8-1971772-4
1*5	LEVEL 1	KEY A	1-1971772-7
		KEY B	2-1971772-7
		KEY C	3-1971772-7
		KEY D	4-1971772-7
	LEVEL 2	KEY A	5-1971772-7
		KEY B	6-1971772-7
		KEY C	7-1971772-7
		KEY D	8-1971772-7

THIS DRAWING IS A CONTROLLED DOCUMENT.

OWN: TOMMY WU 06JUL2012  
 CHG: HAPYE WU 06JUL2012  
 APVD: YUHONG MAO 06JUL2012

TE Connectivity

NAME: CAP HOUSING, PANEL MOUNT, SINGLE ROW POWER TRIPLE LOCK

PRODUCT SPEC: 108-106118  
 APPLICATION SPEC: 114-106118

SIZE: A100779  
 CAGE CODE: C=1971772  
 DRAWING NO: 108-106118

SCALE: 1:1 SHEET 2 OF 2 REV D1

## X-ON Electronics

Largest Supplier of Electrical and Electronic Components

*Click to view similar products for [Headers & Wire Housings](#) category:*

*Click to view products by [TE Connectivity](#) manufacturer:*

Other Similar products are found below :

[95000-104TRLF](#) [10135584-644402LF](#) [DF62W-EP2022PCA](#) [95000-106TRLF](#) [DF62W-2022SCA](#) [DF62W-EP2022PC](#) [2203348](#) [DF62W-2022SC](#) [1084018](#) [1029039](#) [1084017](#) [802-10-012-10-002000](#) [1112640](#) [1112639](#) [891-007-9SS-BST1T](#) [000-34000](#) [0008550134](#) [0009482033](#) [0009507031](#) [57102-F02-18ULF](#) [57102-S06-03LF](#) [57202-S52-04LF](#) [PCN6-15S-2.5E](#) [0039019024](#) [58102-G61-06LF](#) [582553-1](#) [0009485154](#) [0009508121](#) [0022285053](#) [0050291907](#) [018731A](#) [LY20-4P-DT1-P1E-BR](#) [02.125.8002.8](#) [60101931](#) [60598-1 \(Cut Strip\)](#) [M1625-3R/100](#) [61062-3](#) [61082-181009](#) [CSU011177004](#) [636-1427](#) [638009-1](#) [641938-9](#) [641991-4](#) [644168-1](#) [644827-2](#) [647662-1](#) [65039-019ELF](#) [65692-001LF](#) [65781-018](#) [65781-047](#)