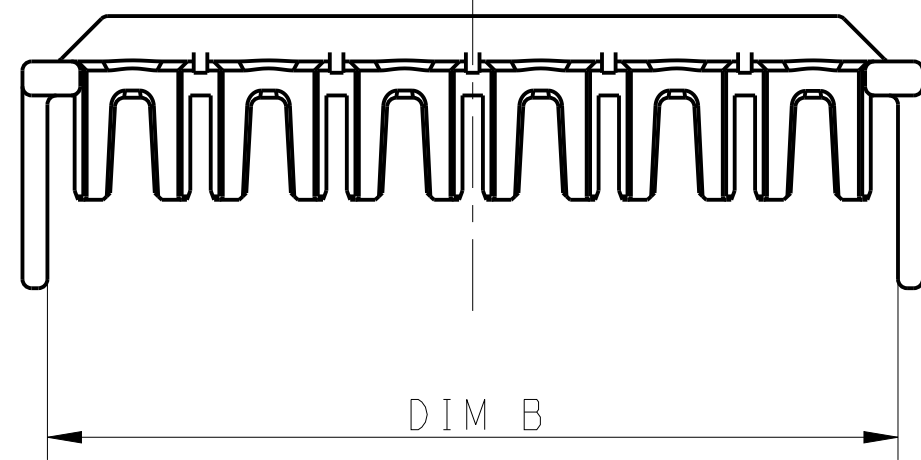
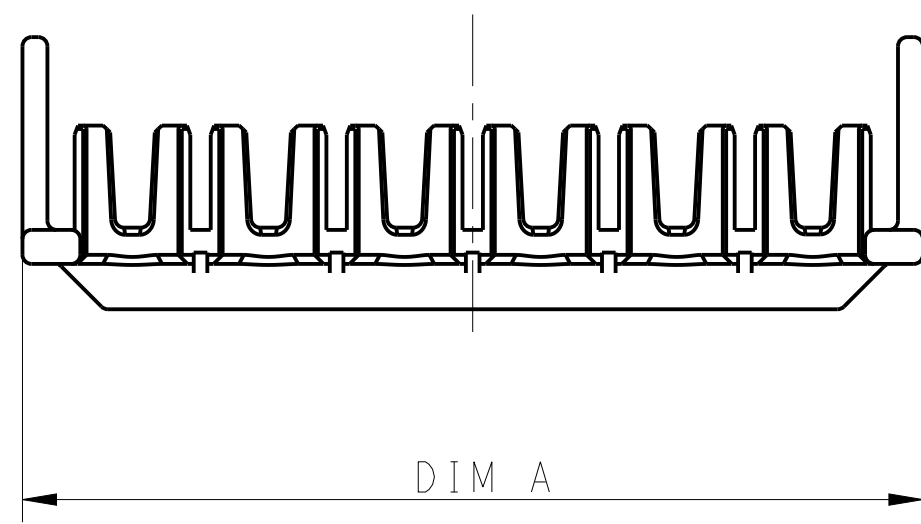
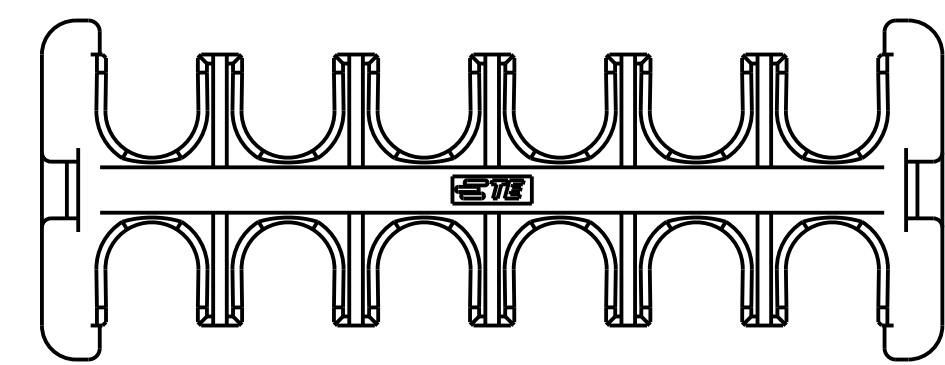
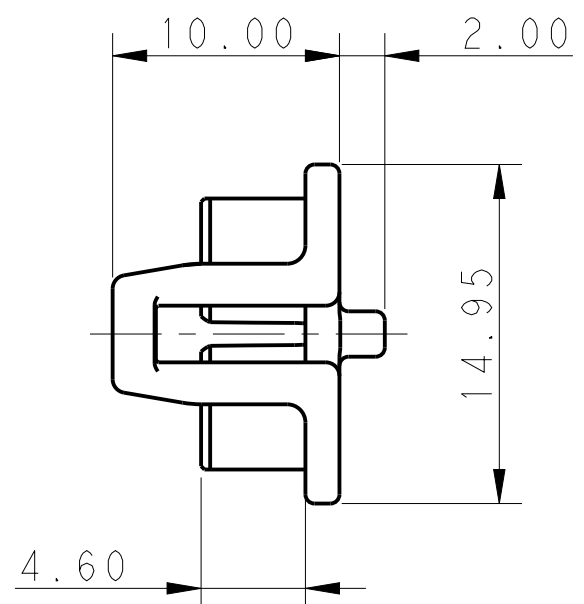
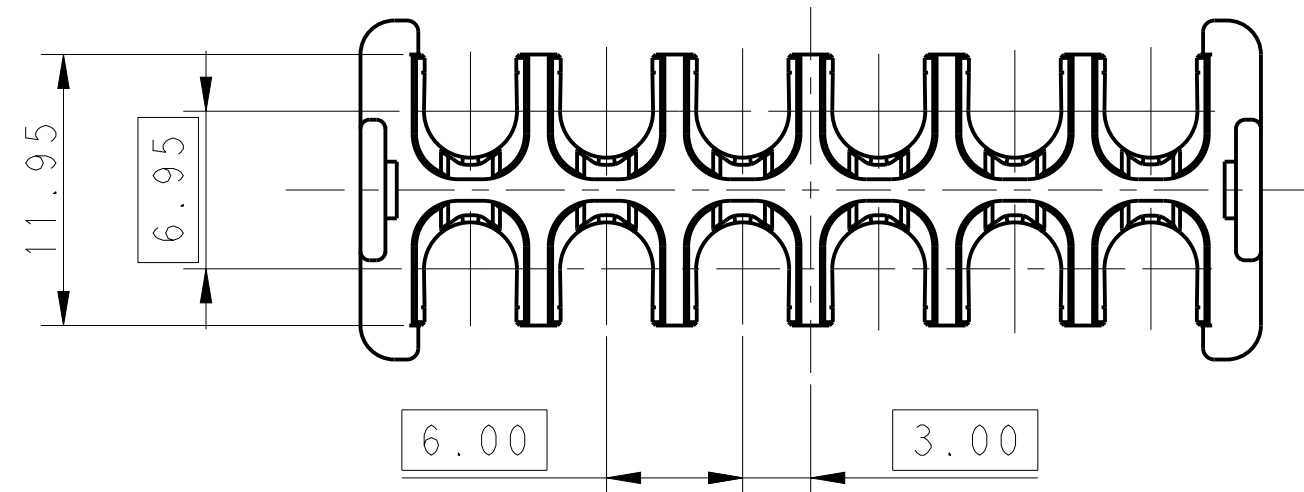


THIS DRAWING IS UNPUBLISHED. RELEASED FOR PUBLICATION 20
 © COPYRIGHT 20 BY - ALL RIGHTS RESERVED.

| LOC | | DIST | | REVISIONS | | | |
|-----|-----|-------------|---------------------------|-----------|------|----|--|
| P | LTR | DESCRIPTION | DATE | DWN | APVD | | |
| - | - | C | REVISED PER ECR-21-100678 | 08APR2021 | SS | VS | |



| POS. | DIM.A | DIM.B |
|------|-------|-------|
| 2*6 | 39.70 | 37.5 |
| 2*5 | 33.70 | 31.5 |
| 2*4 | 27.70 | 25.5 |
| 2*3 | 21.70 | 19.5 |



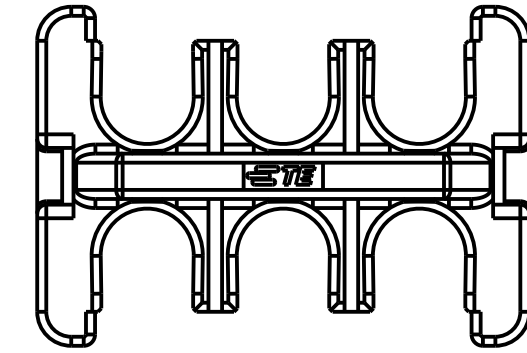
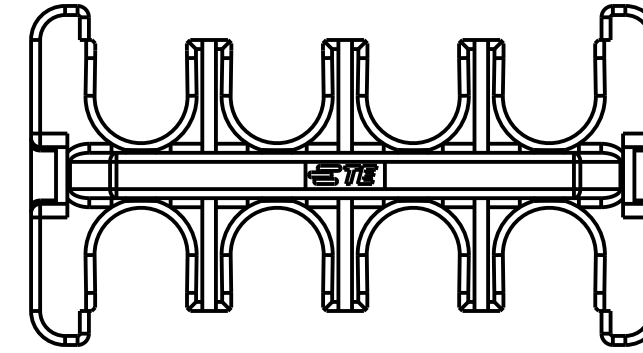
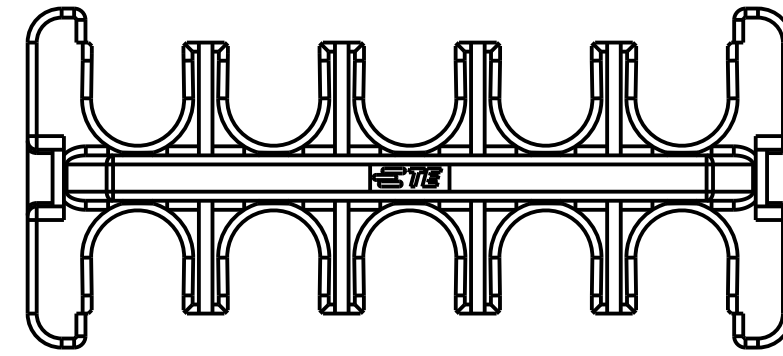
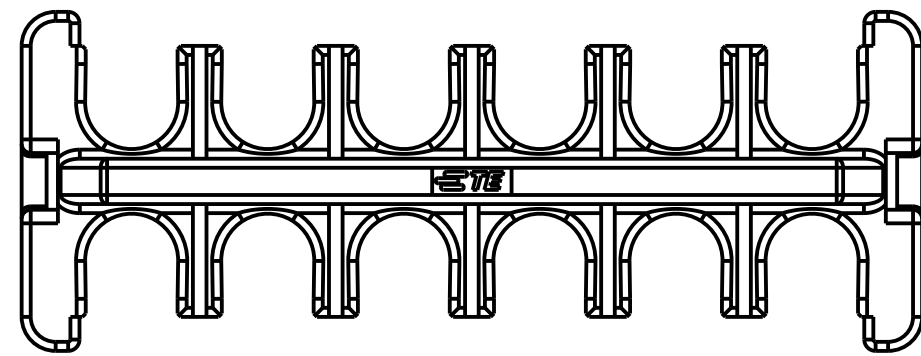
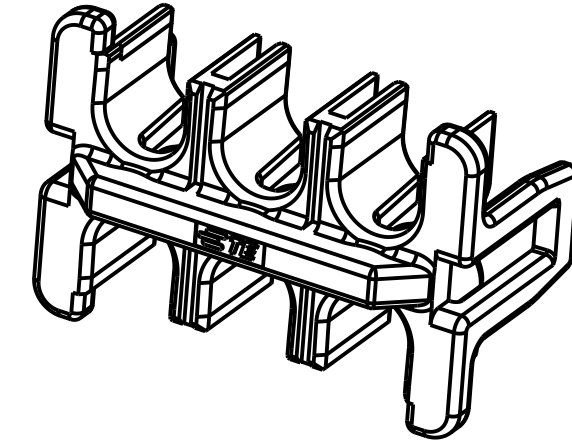
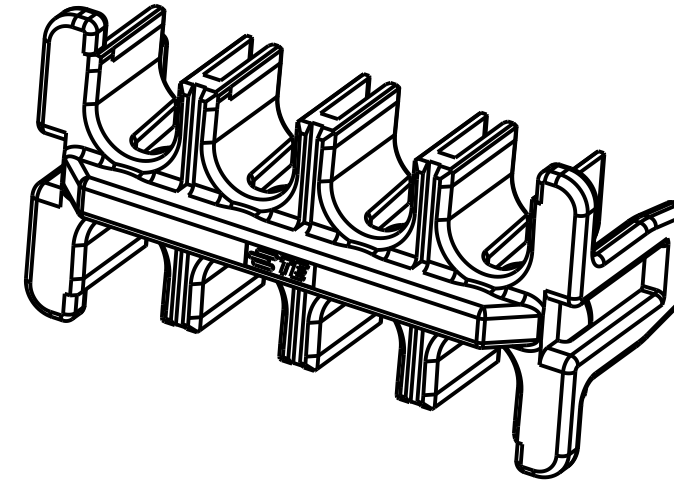
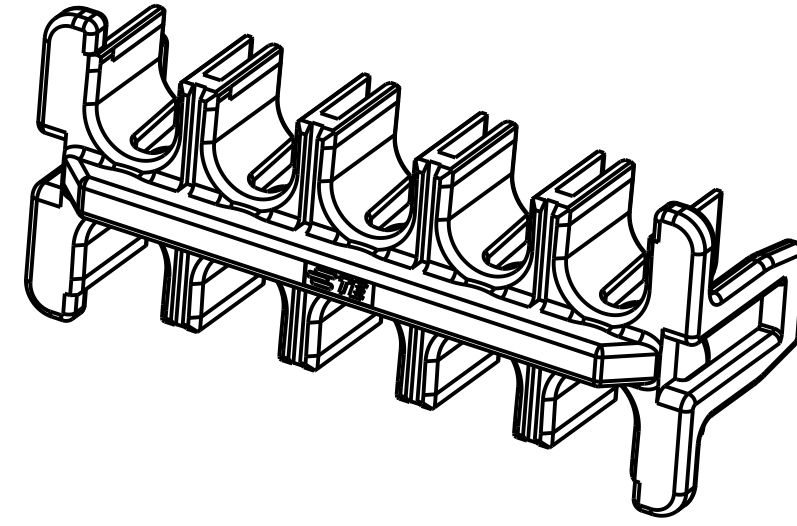
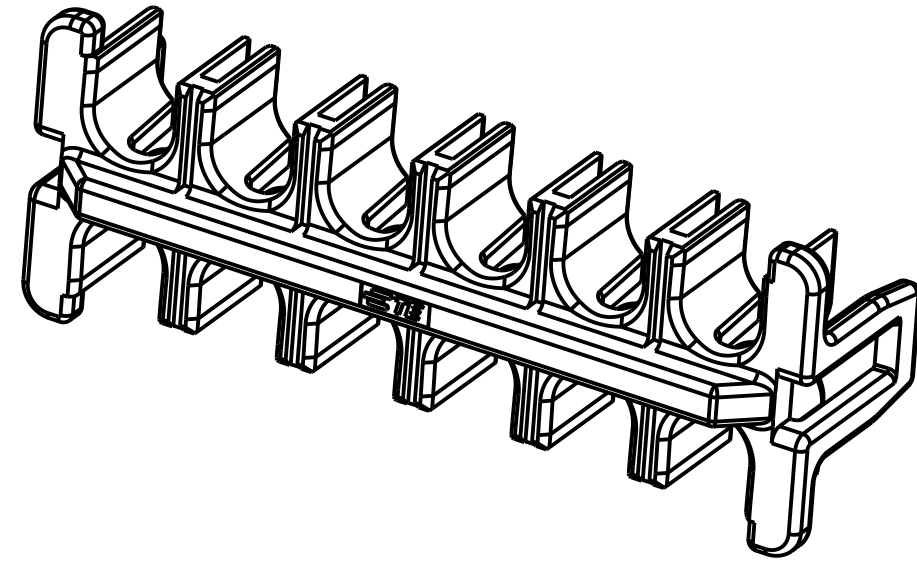
NOTE

- ① HIGH TEMP VERSIONS ARE RATED 150°C MAX AND ARE RECOMMENDED FOR USE WITH HIGH TEMP AND GLOW WIRE RATED HOUSINGS.
- ② HOT WIRE IGNITION (HWI) VERSIONS ARE MOLDED IN A RESIN THAT COMPLIES WITH TE PENDING HOT WIRE IGNITION TEST AND ARE RECOMMENDED FOR USE WITH HWI HOUSINGS THAT ALSO COMPLY.
- ③ STANDARD TEMPERATURE VERSIONS, RATED 140°C MAX ARE RECOMMENDED FOR USE WITH STANDARD TEMP AND GLOW WIRE RATED HOUSINGS.
- 4. MATING CONN, P/N
 CAP HSG: *-1971*7*-*/*-22322***-*/*-22323***-
 PLUG HSG: *-1971*7*-*/*-22322***-*/*-22323***-
- 5. FLAMMABILITY RATING: UL94 V-0

| | | | | |
|---|--|-----------------------------|---|--|
| THIS DRAWING IS A CONTROLLED DOCUMENT. | | DWN TOMMY WU 09JUL2012 | TE Connectivity | |
| | | CHK HAPYE WU 09JUL2012 | | |
| | | APVD YUHONG MAO 09JUL2012 | NAME TPA, DOUBLE ROW POWER TRIPLE LOCK | |
| DIMENSIONS: mm | | PRODUCT SPEC 108-106118 | SIZE CAGE CODE DRAWING NO RESTRICTED TO | |
| TOLERANCES UNLESS OTHERWISE SPECIFIED: | | APPLICATION SPEC 114-106118 | A2 00779 C-1971778 | |
| 0 PLC ± - 1 PLC ±0.35 2 PLC ±0.25 3 PLC ± - 4 PLC ± - ANGLES ± - FINISH ± - | | WEIGHT - | SCALE - SHEET 1 OF 2 REV C | |
| MATERIAL 1 | | Customer Drawing | | |

THIS DRAWING IS UNPUBLISHED. RELEASED FOR PUBLICATION 20
 © COPYRIGHT 20 BY - ALL RIGHTS RESERVED.

| LOC | DIST | REVISIONS | | | |
|-----|------|-------------|------|-----|------|
| P | LTR | DESCRIPTION | DATE | DWN | APVD |
| - | - | SEE SHEET 1 | - | - | - |
| | | | | | |
| | | | | | |



2*6 POSITIONS

2*5 POSITIONS

2*4 POSITIONS

2*3 POSITIONS

| COLOR | MATERIAL | TYPE | POSITIONS | P/N |
|---------|------------|---------------------|-----------|----------------|
| RED | PBT GF | STANDARD TEMP △3 | 2*6 | △6 4-1971778-6 |
| | | | 2*5 | △6 4-1971778-5 |
| | | | 2*4 | △6 4-1971778-4 |
| | | | 2*3 | △6 4-1971778-3 |
| NATURAL | PBT GF | HWI △2 | 2*6 | 2-1971778-6 |
| | | | 2*5 | 2-1971778-5 |
| | | | 2*4 | 2-1971778-4 |
| BLACK | NYLON PA66 | HIGH TEMP △1 | 2*6 | 1971778-6 |
| | | | 2*5 | 1971778-5 |
| | | | 2*4 | 1971778-4 |
| 2*3 | 1971778-3 | | | |

THIS DRAWING IS A CONTROLLED DOCUMENT.

| | | | | |
|-------------------|---|---|---|--------------------|
| DIMENSIONS: mm | TOLERANCES UNLESS OTHERWISE SPECIFIED: 0 PLC ± - 1 PLC ± 0.35 2 PLC ± 0.25 3 PLC ± - 4 PLC ± - ANGLES ± - FINISH | DWN TOMMY WU 09JUL2012 CHK HAPYE WU 09JUL2012 APVD YUHONG MAO 09JUL2012 | TE Connectivity | |
| MATERIAL | | PRODUCT SPEC 108-106118 APPLICATION SPEC 114-106118 WEIGHT - | NAME TPA, DOUBLE ROW POWER TRIPLE LOCK SIZE CAGE CODE DRAWING NO RESTRICTED TO A2 00779 C-1971778 - | |
| Customer Drawing | | | SCALE - | SHEET 2 OF 2 REV C |

X-ON Electronics

Largest Supplier of Electrical and Electronic Components

Click to view similar products for [Headers & Wire Housings](#) category:

Click to view products by [TE Connectivity](#) manufacturer:

Other Similar products are found below :

[892-18-020-10-001101](#) [58102-G61-06LF](#) [582553-1](#) [0009485154](#) [009176003701906](#) [0050291907](#) [LY20-4P-DT1-P1E-BR](#) [02.125.8002.8](#)
[609-3404](#) [61062-3](#) [61082-181009](#) [622-3653LF](#) [63453-116](#) [636-1030](#) [636-1427](#) [636-3427](#) [636-4007](#) [641938-9](#) [641991-4](#) [644827-2](#) [65817-010LF](#) [65817-015LF](#) [65863-015LF](#) [66207-023LF](#) [67095-007LF](#) [67601157](#) [68645-018](#) [68648-049](#) [70.362.1628.0](#) [70-4210](#) [70-4226B](#) [70-4853B](#) [707-5020](#) [707-5028](#) [71.350.2428.0](#) [71918-208LF](#) [71961-016LF](#) [733-134](#) [733-162](#) [754199-000](#) [760-3052](#) [787-8014-00](#) [79531-3000](#)
[FCN-360C032-B](#) [FCN-367T-T012/H](#) [FCN-723D010/2](#) [80.063.4001.1](#) [800-90-001-10-001000](#) [800-90-010-10-002000](#) [801-43-002-10-013000](#)