

LOC	DIST	REVISIONS					
		P	LTR	DESCRIPTION	DATE	DWN	APVD
-	-	A8		ADDED THE TORQUE GAP RANGE	30APR2015	LW	PY
		B		ECR-17-016898	11JAN2018	FF	MS

1 SPECIFICATION

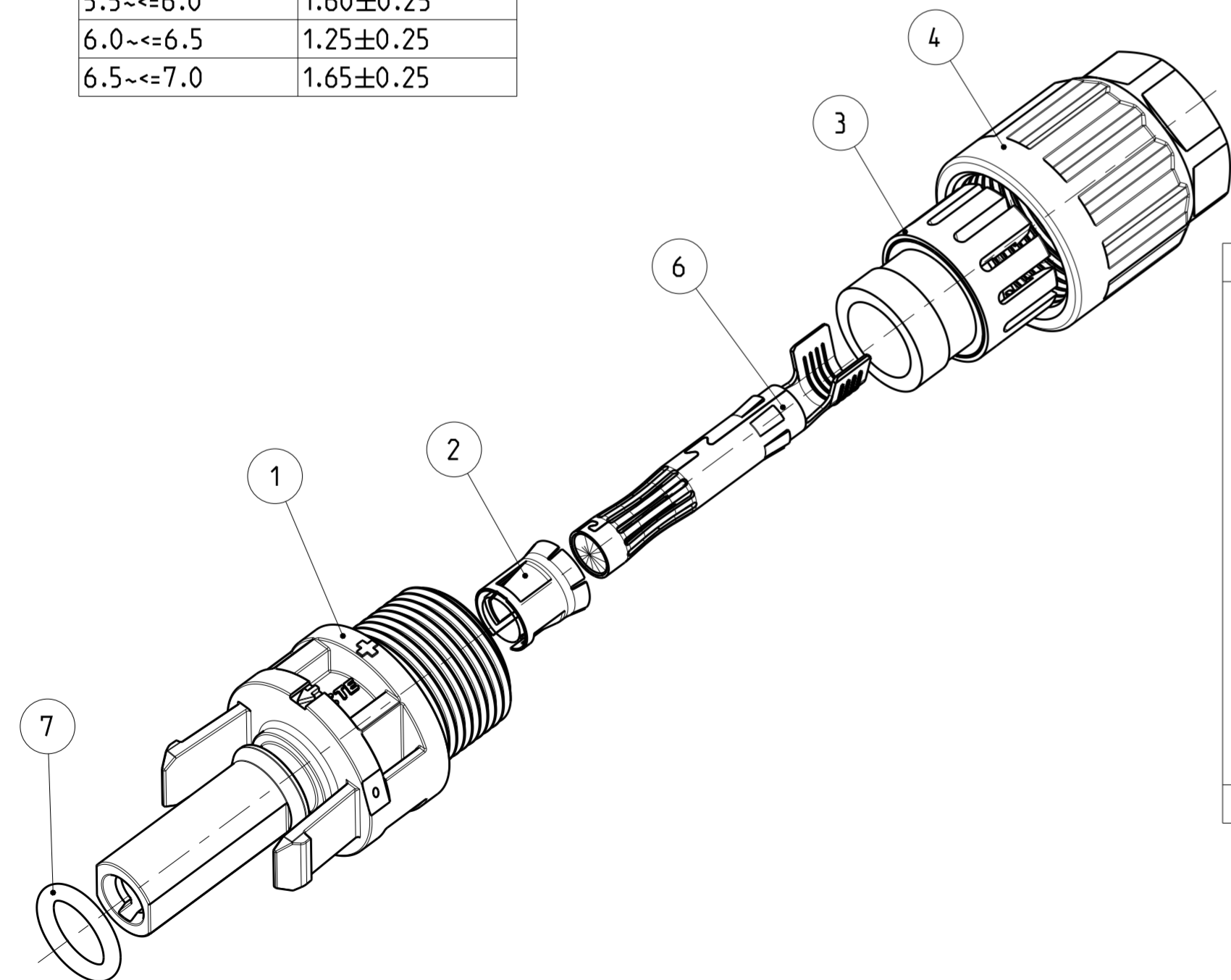
CABLE CONDUCTOR SIZE	4.0MM2/AWG12	6.0MM2/AWG10
RATED CURRENT (AT 85°C AMBIENT)	UL 20A DC TUV 35A DC	UL 30A DC TUV 40A DC
RATED VOLTAGE	1000V DC / TUV 1000V DC	
DEGREE OF PROTECTION,MATED	IP 68 (1m,24h)	
AMBIENT TEMPERATURE RANGE	-40°C ~+85°C	
OVERVOLTAGE CATEGORY	III	
POLLUTION DEGREE	2	
CONTACT RESISTANCE	0.5mΩ	
CONTACT MATERIAL	COPPER,TIN PLATED	
INSULATION MATERIAL	THERMOPLASTIC, UL94-V0	
SAFETY CLASS	II	
STRIP LENGTH	6.5mm	
CABLE JACKET DIAMETER	5.5~7.8mm	

2 CONTACT SHOWN UNINSTALLED, FOR REFERENCE ONLY

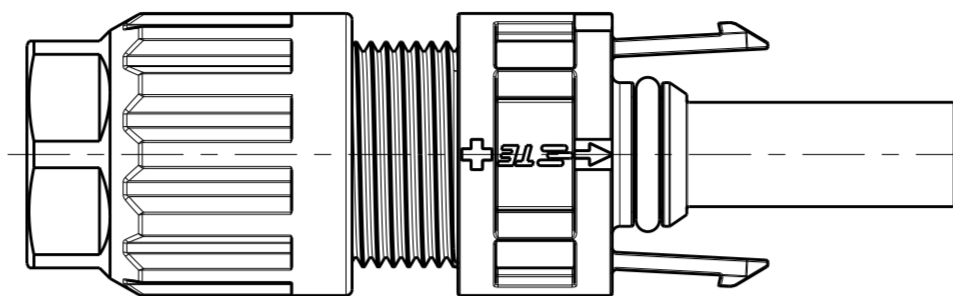
3 USE ONLY CRIMP TOOL OF TE CONNECTIVITY TO CRIMP CONTACT.
CRIMP TOOL P/N 6-1579014-8

4 THE CABLE SCREW JOINT TORQUE GAP:

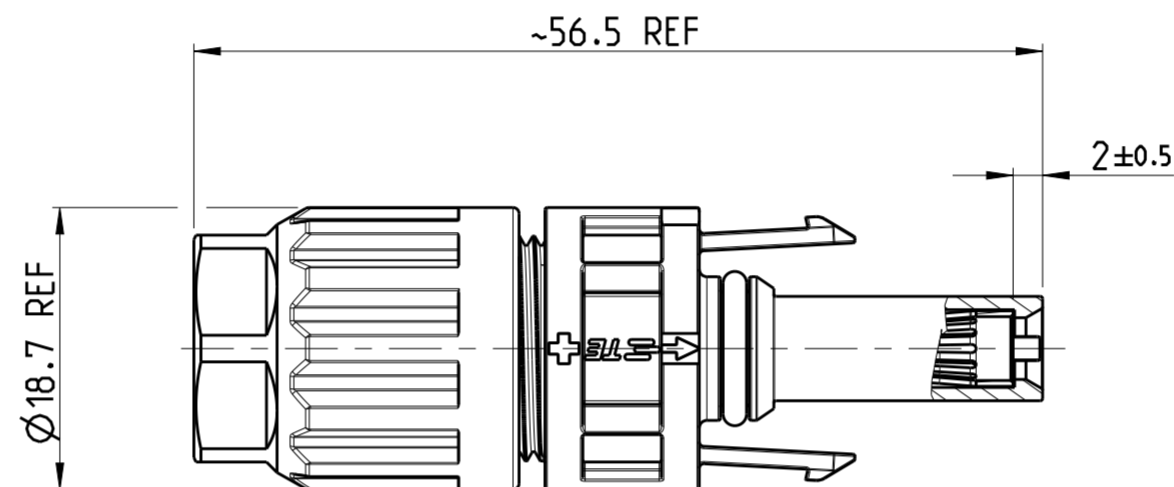
CABLE OD(mm)	TORQUE GAP(mm)
5.5~<=6.0	1.60±0.25
6.0~<=6.5	1.25±0.25
6.5~<=7.0	1.65±0.25



CONNECTOR ASSEMBLY SHOWN EXPLODED VIEW FOR REFERENCE ONLY

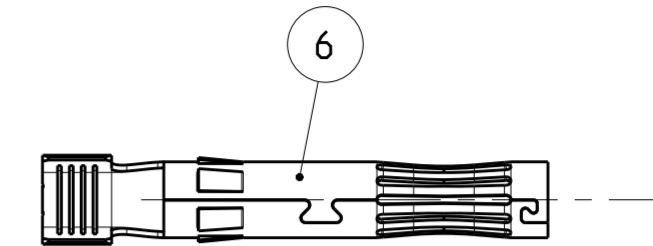


PREASSEMBLED VIEW AS SHOWN

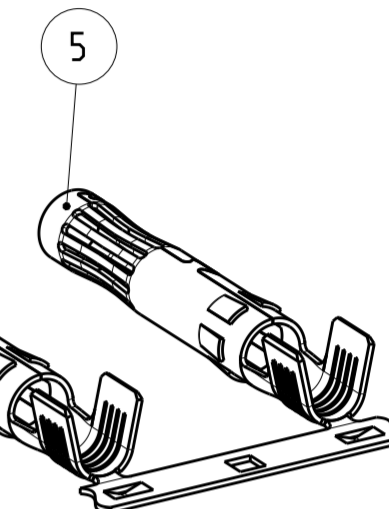


4 TORQUE GAP

ASSEMBLED VIEW AS SHOWN AND VIEW SHOWS THE TORQUE GAP FOR REFERENCE ONLY



SOCKET CONTACT (LOOSE PIECE)



STRIP CONTACT COME OFF TO ASSEMBLY
2000 PCS CONTACTS MOUNTED REEL
REEL TYPE SUBJECT TO ALTERNATION

-1 AS SHOWN

(B) (B)

										PART NUMBER		
4- -2	4- -1	3- -2	3- -1	2- -2	2- -1	1- -2	1- -1	-2	-1			
										PACKAGING QTY.		
										CABLE JACKET DIAMETER in mm		
1	10	100	2000	1000								
5.5~6.0	6.0~7.8	5.5~6.0	6.0~7.8	5.5~6.0	6.0~7.8	5.5~6.0	6.0~7.8	5.5~6.0	6.0~7.8			
1	1	1	1	1	1	1	1	1	1	O-RING, 7.1X1.55 (RED)		7
1	1	1	1	1	1	-	-	-	-	SOCKET CONTACT, 4~6mm ² /10~12AWG, LOOSE PIECE		6
-	-	-	-	-	-	1	1	-	-	SOCKET CONTACT, 4~6mm ² /10~12AWG, STRIP		5
1	1	1	1	1	1	1	1	-	-	CABLE SCREW JOINT		4
1	1	1	1	1	1	1	1	-	-	PINCH RING SEAL INMOLDED, ASSY		3
1	1	1	1	1	1	1	1	-	-	METAL CLIP		2
1	1	1	1	1	1	1	1	-	-	PV4 SOCKET CONNECTOR, PLUS CODED		1
QUANTITY PER ASSEMBLY										DESCRIPTION		ITEM No

THIS DRAWING IS A CONTROLLED DOCUMENT.

DIMENSIONS: mm	TOLERANCES UNLESS OTHERWISE SPECIFIED:	DWN FRANK FAN 11JAN2018	 TE Connectivity
		CHK ALEX CHEN 11JAN2018	
		APVD MING SHI 11JAN2018	
		PRODUCT SPEC 108-106078	
MATERIAL	FINISH	APPLICATION SPEC 114-106078	NAME SOCKET CONNECTOR KITS (FEMALE) (PV4-B*) SOLARLOK PV4 CONNECTOR
		WEIGHT -	SIZE A2 CAGE CODE 00779 DRAWING NO C-1971862 RESTRICTED TO -
		Customer Drawing	SCALE 2:1 SHEET 1 OF 1 REV B

X-ON Electronics

Largest Supplier of Electrical and Electronic Components

Click to view similar products for [Solar Connectors / Photovoltaic Connectors](#) category:

Click to view products by [TE Connectivity](#) manufacturer:

Other Similar products are found below :

[1740699-7](#) [1971861-4](#) [1971131-4](#) [1971858-3](#) [1971861-3](#) [PV-090508-M10](#) [PV-CM-S 2 5-6 \(-\)](#) [2270184-3](#) [2270154-2](#) [2270226-4](#) [PV-090508-M06-N](#) [1987558-2](#) [PV-090506-F03](#) [UTXPM](#) [UTXPF](#) [UTXCMB6AM](#) [1627092](#) [1017635](#) [1017636](#) [1-2306314-1](#) [1-2306314-2](#) [1302440201](#) [2-1971862-2](#) [H4CMC6DM](#) [1705996](#) [1705995](#) [1971858-2](#) [5-2306317-2](#) [1704926](#) [H4CFC4DIS](#) [H4CMC4DC](#) [H4CFC4DC](#) [H4CMC4DM](#) [H4CFC4DM](#) [H4CFC6DM](#) [H4CFM2DI](#) [H4CFM6DI](#) [H4CMC2DI](#) [H4CMC8DM](#) [H4CMM6DI](#) [H4CMC4DMS](#) [H4CMC4DIS](#) [H4PF](#) [H4PM](#) [HGLUI](#) [PWJ-03BMMB-LL8001](#) [UTXCFA0AM](#) [UTXCFA4BMH](#) [UTXCMA0AM](#) [UTXCMA4AM](#)