

THIS DRAWING IS UNPUBLISHED.

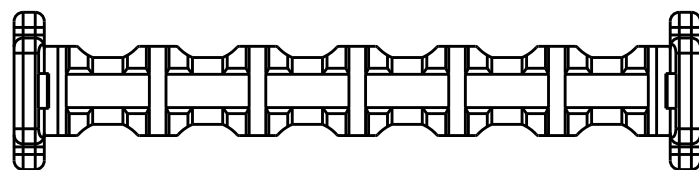
RELEASED FOR PUBLICATION

20

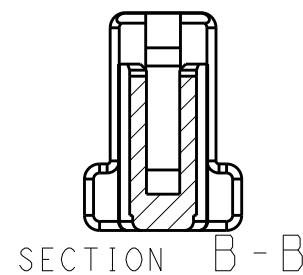
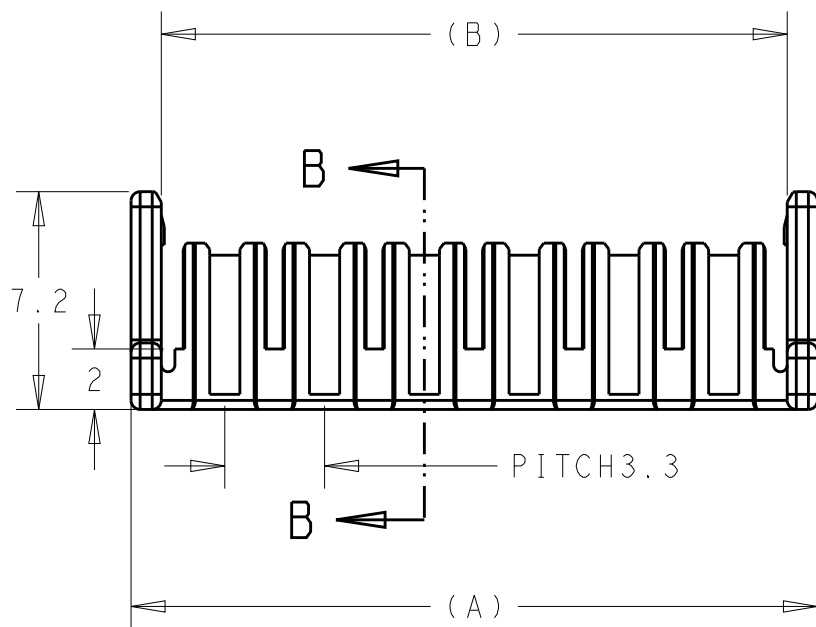
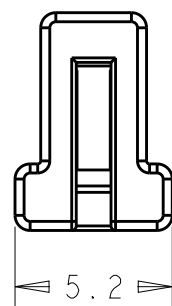
© COPYRIGHT 20 BY -

ALL RIGHTS RESERVED.

LOC	DIST	REVISIONS					
		P	LTR	DESCRIPTION	DATE	DWN	APVD
-	-		A	INITIAL RELEASE	1/8/2013	LZH	MYH
			A1	ADD P/Ns AND DIMENSIONS FOR 14P	07MAR2013	WYP	MYH
			B	ECR-13-011563	15Aug. 2013	WRP	ZHB
			B2	ECR-15-010308	11JULY2015	A.Q	D.Z

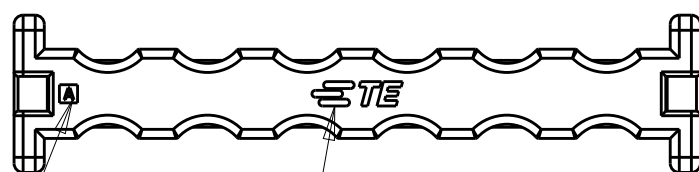


NOTE:  
 1. APPLICABLE P/N PLUG HOUSING: \*-1971905-\*  
 APPLICABLE P/N CONTACT: 1983780-1.  
 2. APPLICABLE WIRE RANGE: AWG24~AWG20  
 INSULATION DIA:  $\phi$ 1.5- $\phi$ 2.5MM  
 3. MATERIAL:  
 THERMAL PLASTIC MATERIAL, (UL94 V-0)




P/N	Pos.	DIM.A	DIM.B	COLOR
2-1971904-2	4	9.5	7.5	BLUE
2-1971904-3	6	12.8	10.8	
2-1971904-4	8	16.1	14.1	
2-1971904-5	10	19.4	17.4	
2-1971904-6	12	22.7	20.7	
2-1971904-7	14	26.0	24.0	

	P/N	Pos.	A	B	COLOR
OBSOLETE	<del>1971904-2</del>	4	9.5	7.5	BLACK
OBSOLETE	<del>1971904-3</del>	6	12.8	10.8	
OBSOLETE	<del>1971904-4</del>	8	16.1	14.1	
OBSOLETE	<del>1971904-5</del>	10	19.4	17.4	
OBSOLETE	<del>1971904-6</del>	12	22.7	20.7	
OBSOLETE	<del>1971904-7</del>	14	26.0	24.0	



CAVITY MARK — TRADE MARK

THIS DRAWING IS A CONTROLLED DOCUMENT.		DWN LZH 01Aug2013	 TE Connectivity		
DIMENSIONS: mm		CHK HAPYE.WU 01Aug2013			NAME NEXT GENERATION GI 3.3 TERMINAL POSITION ASSURENCE
TOLERANCES UNLESS OTHERWISE SPECIFIED: 0 PLC ±- 1 PLC ±0.5 2 PLC ±0.20 3 PLC ±- 4 PLC ±- ANGLES ±-		APVD YH.MAO 01Aug2013			
MATERIAL SEE NOTE		FINISH -			PRODUCT SPEC 108-106094
		WEIGHT -	APPLICATION SPEC -	SIZE A300779	
		Customer Drawing	SCALE N/A	DRAWING NO C-1971904	
				RESTRICTED TO -	
				SHEET 1 OF 3	
				REV B2	

THIS DRAWING IS UNPUBLISHED.

RELEASED FOR PUBLICATION

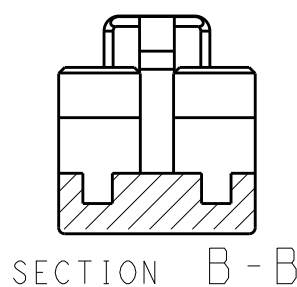
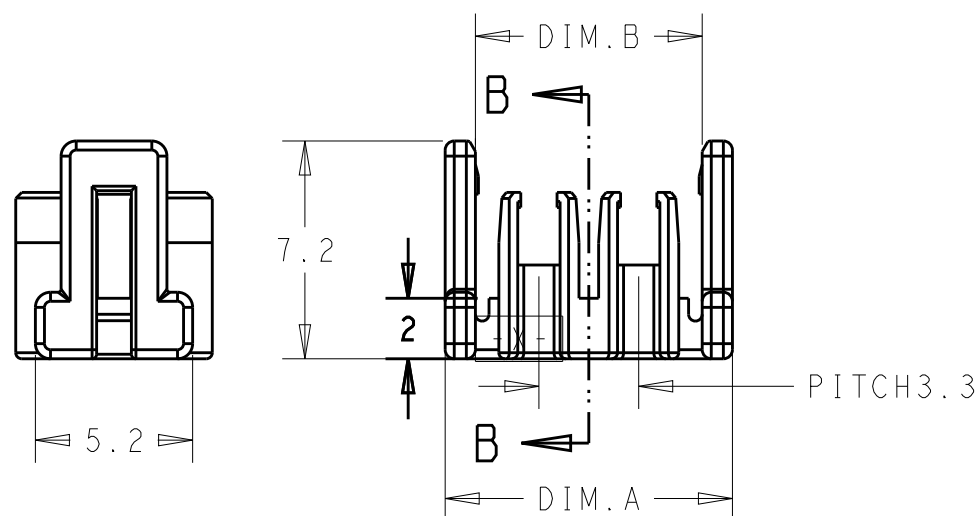
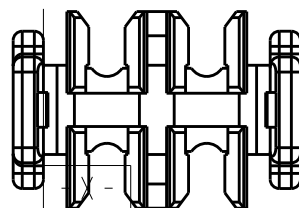
20

© COPYRIGHT 20 BY -

ALL RIGHTS RESERVED.

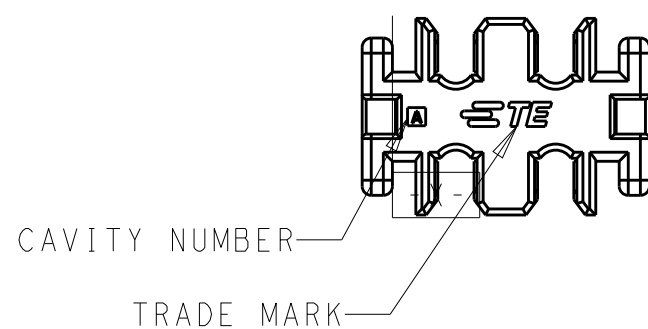
LOC	DIST	REVISIONS					
		P	LTR	DESCRIPTION	DATE	DWN	APVD
-	-	-	-	SEE SHEET 1	-	-	-


4-1971904-2 AS SHOWN



NOTE:  
 1. APPLICABLE P/N PLUG HOUSING: \*-1971905-\*  
 APPLICABLE P/N CONTACT: 1971795-1.  
 2. APPLICABLE WIRE RANGE: AWG28~AWG26  
 INSULATION DIA:  $\varnothing$ 0.8- $\varnothing$ 1.2MM  
 3. MATERIAL:  
 THERMAL PLASTIC MATERIAL, (UL94 V-0)

P/N	Pos.	DIM.A	DIM.B	COLOR
4-1971904-2	4	9.5	7.5	YELLOW
4-1971904-3	6	12.8	10.8	



THIS DRAWING IS A CONTROLLED DOCUMENT.		DWN ANNIE QIAN 01APR2015	 TE Connectivity	
DIMENSIONS: mm		CHK ANNIE QIAN 01APR2015		
TOLERANCES UNLESS OTHERWISE SPECIFIED:		APVD DANIEL ZHANG 01APR2015	NAME NEXT GENERATION GI3.3	
0 PLC $\pm$ - 1 PLC $\pm$ - 2 PLC $\pm$ 0.20 3 PLC $\pm$ - 4 PLC $\pm$ - ANGLES $\pm$ 1		PRODUCT SPEC 108-106094	RESTRICTED TO	
MATERIAL -		APPLICATION SPEC 114-106094	SIZE A3	CAGE CODE -
FINISH -		WEIGHT -	DRAWING NO C-1971904	SCALE N/A
		CUSTOMER DRAWING	SHEET 2	OF 3
			REV B2	

THIS DRAWING IS UNPUBLISHED.

RELEASED FOR PUBLICATION

20

© COPYRIGHT 20 BY -

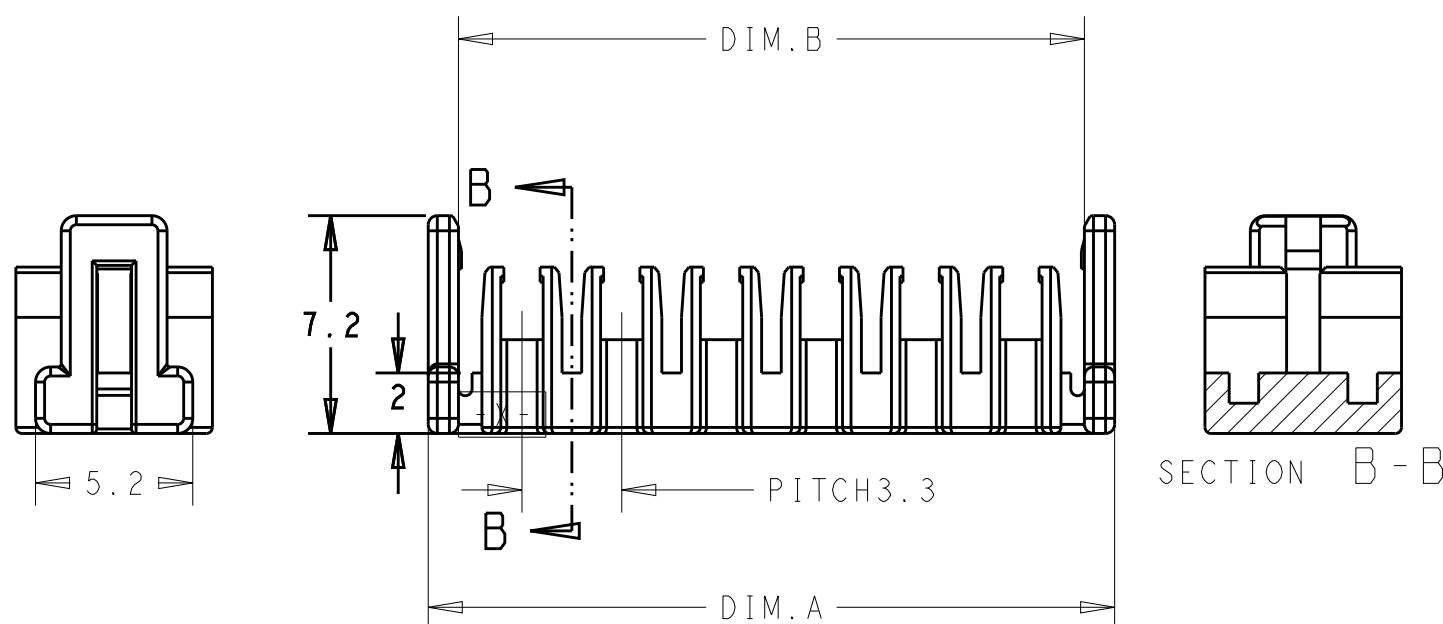
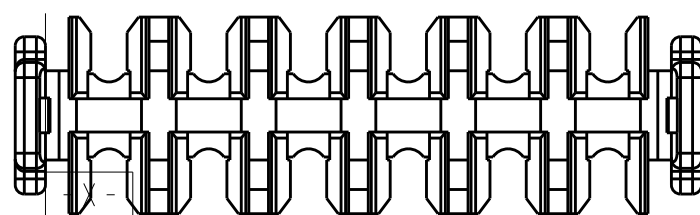
ALL RIGHTS RESERVED.

LOC - DIST -

REVISIONS

P	LTR	DESCRIPTION	DATE	DWN	APVD
-	-	SEE SHEET 1	-	-	-

4-1971904-6 AS SHOWN



NOTE:  
 1. APPLICABLE P/N PLUG HOUSING: \*-1971905-\*  
 APPLICABLE P/N CONTACT: 1971795-1.  
 2. APPLICABLE WIRE RANGE: AWG28~AWG26  
 INSULATION DIA:  $\varnothing 0.8$ - $\varnothing 1.2$ MM  
 3. MATERIAL:  
 THERMAL PLASTIC MATERIAL, (UL94 V-0)

P/N	Pos.	DIM.A	DIM.B	COLOR
4-1971904-4	8	16.1	14.1	YELLOW
4-1971904-5	10	19.4	17.4	
4-1971904-6	12	22.7	20.7	
4-1971904-7	14	26.0	24.0	

CAVITY NUMBER

TRADE MARK

THIS DRAWING IS A CONTROLLED DOCUMENT.

DIMENSIONS: mm	TOLERANCES UNLESS OTHERWISE SPECIFIED: 0 PLC ±- 1 PLC ±- 2 PLC ±0.20 3 PLC ±- 4 PLC ±- ANGLES ±1
MATERIAL -	FINISH -

DWN	09MAR2015
CHK	ANNIE QIAN
APVD	09MAR2015
ANNIE QIAN	DANIEL ZHANG
PRODUCT SPEC	108-106094
APPLICATION SPEC	114-106094
WEIGHT	-
CUSTOMER DRAWING	

**STE** TE Connectivity

NAME NEXT GENERATION GI3.3 TERMINAL POSITION ASSURENCE			
SIZE A3	CAGE CODE -	DRAWING NO C-1971904	RESTRICTED TO -
SCALE N/A		SHEET 3 OF 3	REV B2

## X-ON Electronics

Largest Supplier of Electrical and Electronic Components

*Click to view similar products for [Automotive Connectors](#) category:*

*Click to view products by [TE Connectivity](#) manufacturer:*

Other Similar products are found below :

[003-018-000](#) [60403001](#) [60993906-B](#) [M902-2131](#) [M902-2161](#) [M902-2344](#) [72.330.1035.1](#) [73.353.4028.0](#) [F119300-B](#) [F166900](#) [F258300-B](#)  
[F358300-B](#) [F407400](#) [F444110](#) [F487000](#) [F509500B-B](#) [827153-1](#) [8N1515-32-24P](#) [9-1326729-8](#) [925474-1](#) [928905-1](#) [964562-4](#) [968782-1](#)  
[GT17SA-8DS-HU](#) [98891-1012](#) [98947-1016](#) [12004147](#) [12004475-L](#) [12010290](#) [12010309-B](#) [12015454](#) [12020219-B](#) [12041318-B](#) [12052225-](#)  
[L](#) [12052466](#) [12064869](#) [12004327-B](#) [12015308](#) [12015384](#) [12015909](#) [1-21030-1](#) [12041254](#) [12041318](#) [12047946-B](#) [12047957](#) [12047957-L](#)  
[12059473](#) [12066261](#) [12110546](#) [12110546-B](#)