

4

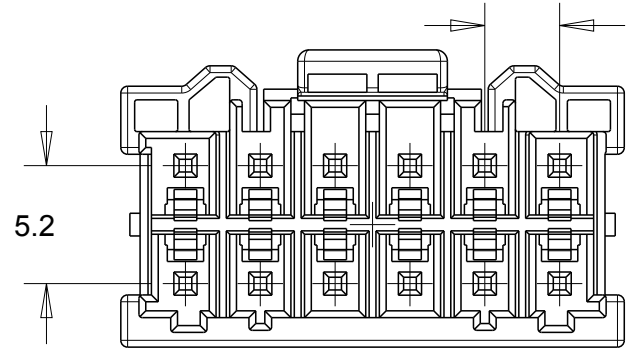
3

2

1

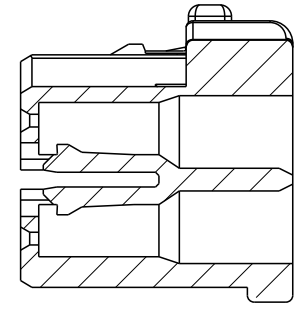
THIS DRAWING IS UNPUBLISHED. RELEASED FOR PUBLICATION 20
 © COPYRIGHT 20 BY - ALL RIGHTS RESERVED.

| LOC | DIST | REVISIONS | | | | | |
|-----|------|-----------|-----|---------------|-----------|-----|------|
| | | P | LTR | DESCRIPTION | DATE | DWN | APVD |
| - | - | C1 | | ECR-15-006845 | 04MAY2015 | A.Q | D.Z |
| | | | | | | | |
| | | | | | | | |

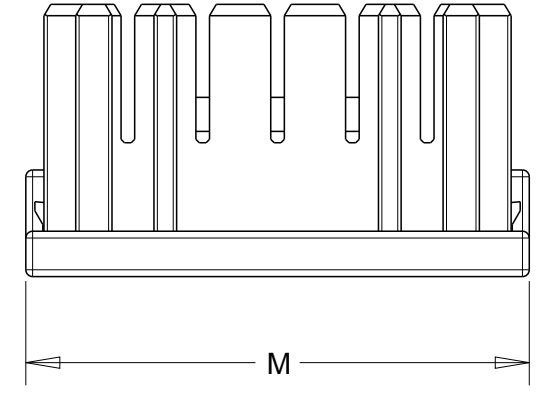


PITCH 3.3

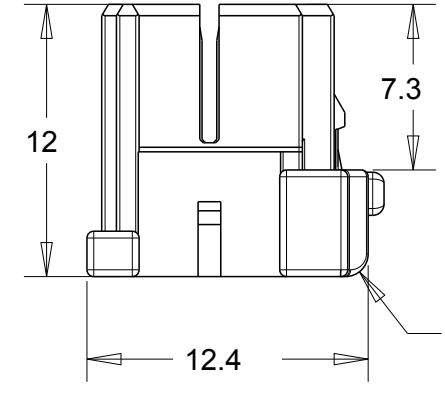
5.2



SECTION A-A

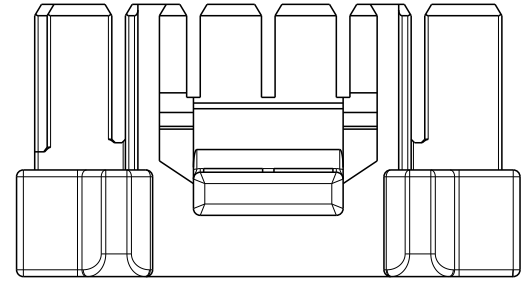


M



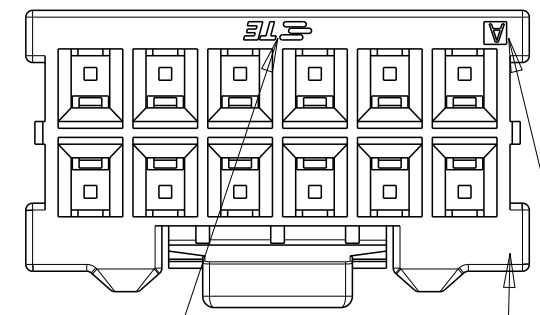
7.3

R1



NOTES:


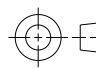
- 1 MATERIAL: PA 66 GLASS FILLED UL94 V-0
- 2 MATING HEADER ASSEMBLY SEE TABLE
- 3. MATING REC CONTACT 1983780-1



TRADE MARK

CIRCUIT NO.

CAVITY MARK

| | | | | | | | |
|---|--|--------------------------------|---|--------------------|-------------------------|--------------------|-----------|
| THIS DRAWING IS A CONTROLLED DOCUMENT. | | DWN HJ.Z 08NOV2013 |  TE Connectivity NAME NEXT GENERATION G13.3 PLUG HOUSING 2ROW - | | | | |
| DIMENSIONS: mm | | CHK TIM.D 08NOV2013 | | | | | |
|  | | APVD YH.MAO 08NOV2013 | | | | | |
| TOLERANCES UNLESS OTHERWISE SPECIFIED: 0 PLC ±- 1 PLC ±0.5 2 PLC ±0.13 3 PLC ±- 4 PLC ±- ANGLES ±- MATERIAL 1 FINISH - | | PRODUCT SPEC 108-106094 | | | | | |
| | | APPLICATION SPEC 114-106094 | SIZE A3 | CAGE CODE 00779 | DRAWING NO C-1971905 | RESTRICTED TO - | |
| | | WEIGHT - | Customer Drawing | | SCALE - | SHEET 1 OF 3 | REV C1 |

| P/N | COLOR | KEYING | M | POS | P/N |
|----------------------------|---------|--------|------|-----|-------------|
| 4-1971906-7 | YELLOW | D | 25.5 | 14 | 4-1971905-7 |
| 3-1971906-7 | RED | C | | | 3-1971905-7 |
| 2-1971906-7 6-1971906-7 | BLUE | B | | | 2-1971905-7 |
| 1-1971906-7 5-1971906-7 | NATURAL | A | 22.2 | 12 | 1-1971905-7 |
| 4-1971906-6 | YELLOW | D | | | 4-1971905-6 |
| 3-1971906-6 | RED | C | | | 3-1971905-6 |
| 2-1971906-6 | BLUE | B | 18.9 | 10 | 2-1971905-6 |
| 1-1971906-6 | NATURAL | A | | | 1-1971905-6 |
| 4-1971906-5 | YELLOW | D | | | 4-1971905-5 |
| 3-1971906-5 | RED | C | 15.6 | 8 | 3-1971905-5 |
| 2-1971906-5 | BLUE | B | | | 2-1971905-5 |
| 1-1971906-5 | NATURAL | A | | | 1-1971905-5 |
| 4-1971906-4 | YELLOW | D | 12.3 | 6 | 4-1971905-4 |
| 3-1971906-4 | RED | C | | | 3-1971905-4 |
| 2-1971906-4 | BLUE | B | | | 2-1971905-4 |
| 1-1971906-4 | NATURAL | A | 9 | 4 | 1-1971905-4 |
| 4-1971906-3 | YELLOW | D | | | 4-1971905-3 |
| 3-1971906-3 | RED | C | | | 3-1971905-3 |
| 2-1971906-3 | BLUE | B | 9 | 4 | 2-1971905-3 |
| 1-1971906-3 | NATURAL | A | | | 1-1971905-3 |
| 4-1971906-2 | YELLOW | D | | | 4-1971905-2 |
| 3-1971906-2 | RED | C | 9 | 4 | 3-1971905-2 |
| 2-1971906-2 | BLUE | B | | | 2-1971905-2 |
| 1-1971906-2 | NATURAL | A | | | 1-1971905-2 |
| MATING CONN P/N | COLOR | KEYING | M | POS | P/N |

THIS DRAWING IS UNPUBLISHED.

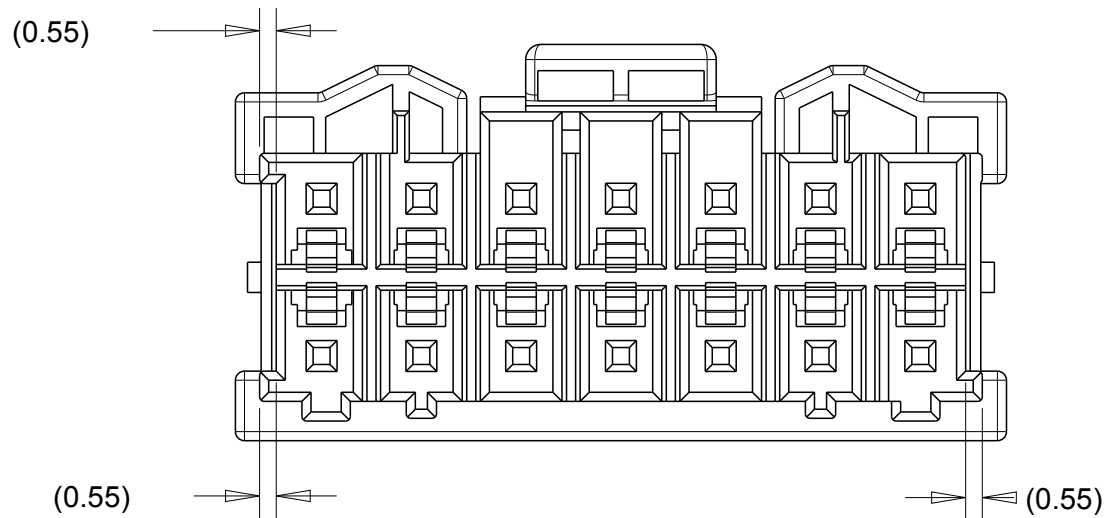
RELEASED FOR PUBLICATION

20

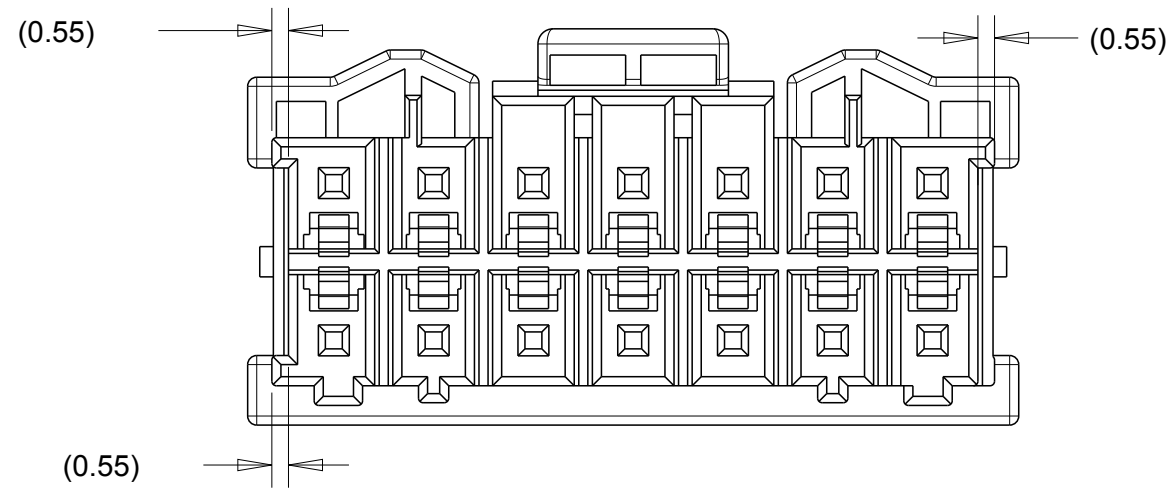
© COPYRIGHT 20 BY - ALL RIGHTS RESERVED.

| LOC | DIST | REVISIONS | | | | | |
|-----|------|-----------|-----|-------------|------|-----|------|
| | | P | LTR | DESCRIPTION | DATE | DWN | APVD |
| - | - | - | - | SEE SHEET 1 | - | - | - |
| | | | | | | | |
| | | | | | | | |

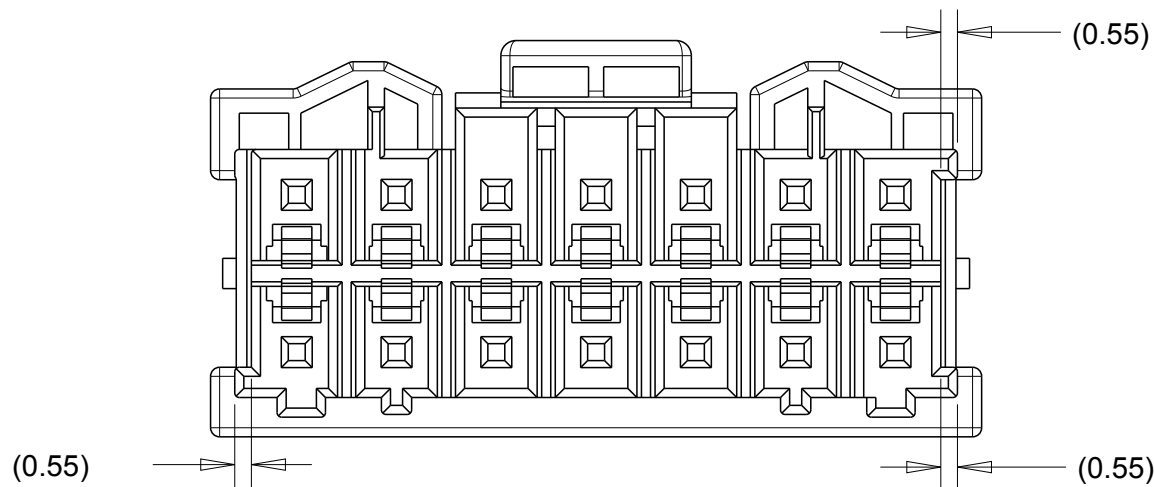
KEYING FEATURE SHOWN BY *-1971905-7



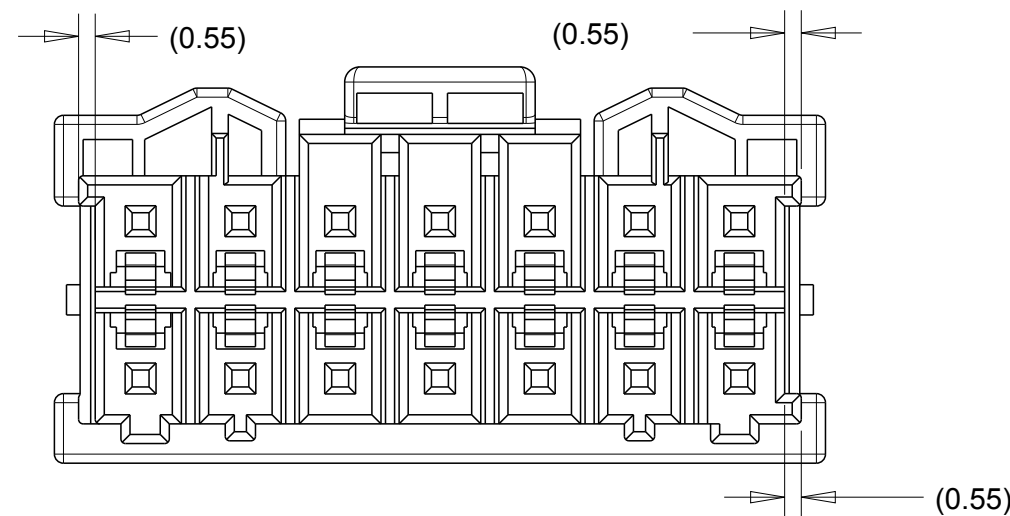
KEYING A




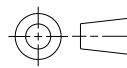
KEYING B



KEYING C



KEYING D

| | | | | | |
|---|--|--------------------------------|-----------|--|---|
| THIS DRAWING IS A CONTROLLED DOCUMENT. | | DWN HJ.Z | 08NOV2013 |  TE Connectivity | NAME NEXT GENERATION G13.3 PLUG HOUSING 2ROW |
| DIMENSIONS: mm | | CHK TIM.D | 08NOV2013 | | |
|  | | APVD YH.MAO | 08NOV2013 | | |
| TOLERANCES UNLESS OTHERWISE SPECIFIED: | | PRODUCT SPEC 108-106094 | | | |
| MATERIAL - | | APPLICATION SPEC 114-106094 | | SIZE A3 | CAGE CODE 00779 |
| FINISH - | | WEIGHT - | | DRAWING NO C-1971905 | RESTRICTED TO - |
| Customer Drawing | | | SCALE - | SHEET 2 OF 3 | REV C1 |

THIS DRAWING IS UNPUBLISHED.

RELEASED FOR PUBLICATION

20

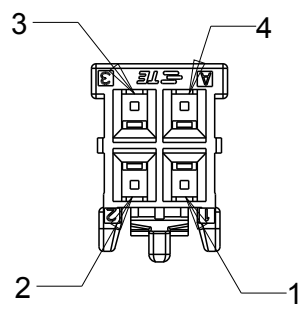
© COPYRIGHT 20 BY -

ALL RIGHTS RESERVED.

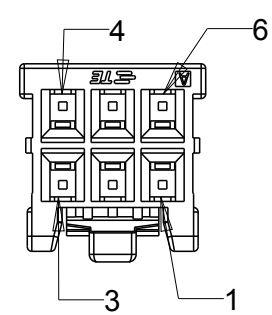
| LOC | DIST | REVISIONS | | | | | |
|-----|------|-----------|-----|-------------|------|-----|------|
| | | P | LTR | DESCRIPTION | DATE | DWN | APVD |
| - | - | - | - | SEE SHEET 1 | - | - | - |
| | | | | | | | |
| | | | | | | | |

CIRCUIT NUMBER SHOWN FOR ALL P/N

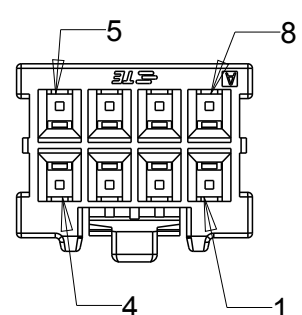
1-1971905-2 SHOWN



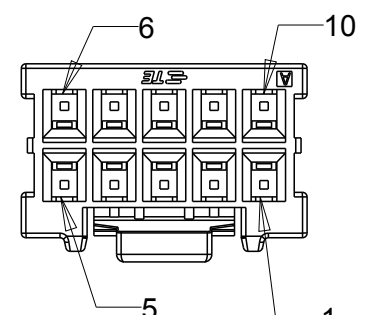
1-1971905-3 SHOWN



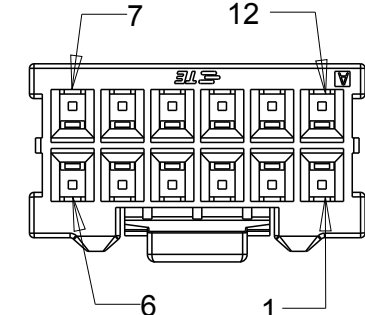
1-1971905-4 SHOWN



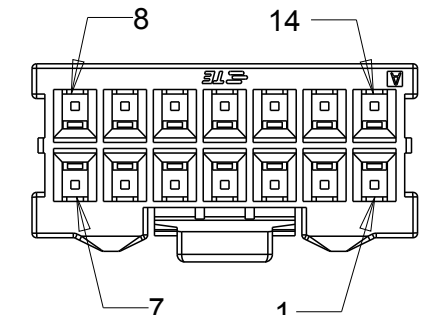
1-1971905-5 SHOWN



1-1971905-6 SHOWN



1-1971905-7 SHOWN



| | | | | |
|--|--|--|--|----------------|
| THIS DRAWING IS A CONTROLLED DOCUMENT. | | DWN ANNIE QIAN 04MAY2015 | | |
| DIMENSIONS: mm | | CHK ANNIE QIAN 04MAY2015 | | |
| TOLERANCES UNLESS OTHERWISE SPECIFIED: | | APVD DANIEL ZHANG 04MAY2015 | NAME NEXT GENERATION G13.3 PLUG HOUSING 2ROW | |
| | | PRODUCT SPEC 108-106094 | RESTRICTED TO | |
| MATERIAL - | | APPLICATION SPEC 114-106094 | SIZE A3 | CAGE CODE - |
| FINISH - | | WEIGHT - | DRAWING NO 1971905 | SCALE - |
| | | CUSTOMER DRAWING | SHEET 3 | OF 3 |
| | | | REV C1 | |

X-ON Electronics

Largest Supplier of Electrical and Electronic Components

Click to view similar products for [Headers & Wire Housings](#) category:

Click to view products by [TE Connectivity](#) manufacturer:

Other Similar products are found below :

[892-18-020-10-001101](#) [58102-G61-06LF](#) [582553-1](#) [0009485154](#) [009176003701906](#) [0050291907](#) [LY20-4P-DT1-P1E-BR](#) [02.125.8002.8](#)
[609-3404](#) [61062-3](#) [61082-181009](#) [622-3653LF](#) [63453-116](#) [636-1030](#) [636-1427](#) [636-3427](#) [636-4007](#) [641938-9](#) [641991-4](#) [644827-2](#) [65817-010LF](#) [65817-015LF](#) [65863-015LF](#) [66207-023LF](#) [67095-007LF](#) [67601157](#) [68645-018](#) [68648-049](#) [70.362.1628.0](#) [70-4210](#) [70-4226B](#) [70-4853B](#) [707-5020](#) [707-5028](#) [71.350.2428.0](#) [71918-208LF](#) [71961-016LF](#) [733-134](#) [733-162](#) [754199-000](#) [760-3052](#) [787-8014-00](#) [79531-3000](#)
[FCN-360C032-B](#) [FCN-367T-T012/H](#) [FCN-723D010/2](#) [80.063.4001.1](#) [800-90-001-10-001000](#) [800-90-010-10-002000](#) [801-43-002-10-013000](#)