

REVISIONS					
P	LTR	DESCRIPTION	DATE	DWN	APVD
B		REVISED PER ECO-18-014614	18SEP2018	SR	PO

SPECIFICATIONS:

MATERIALS:

CASE, PPS, UL94 V-0, BROWN  
 ACTUATOR, NYLON, UL94V-0, SEE P/N TABLE FOR FINISH  
 COVER, STEEL, TIN FINISH  
 TERMINAL/FIXED CONTACT, COPPER ALLOY-SILVER FINISH  
 MOVING CONTACT, STAINLESS STEEL-SILVER FINISH

ELECTRICAL:

MAX CONTACT RATING, 50MILLIAMPS@24V DC  
 MIN CONTACT RATING, 1MICROAMP@1V DC  
 CONTACT RESISTANCE, 100 MILLIOHMS MAX  
 INSULATION RESISTANCE, 100 MEGOHM MIN.  
 DIELECTRIC STRENGTH, 500 V AC FOR 1 MINUTE  
 LIFE EXPECTANCY, 1,000,000 CYCLES

MECHANICAL:

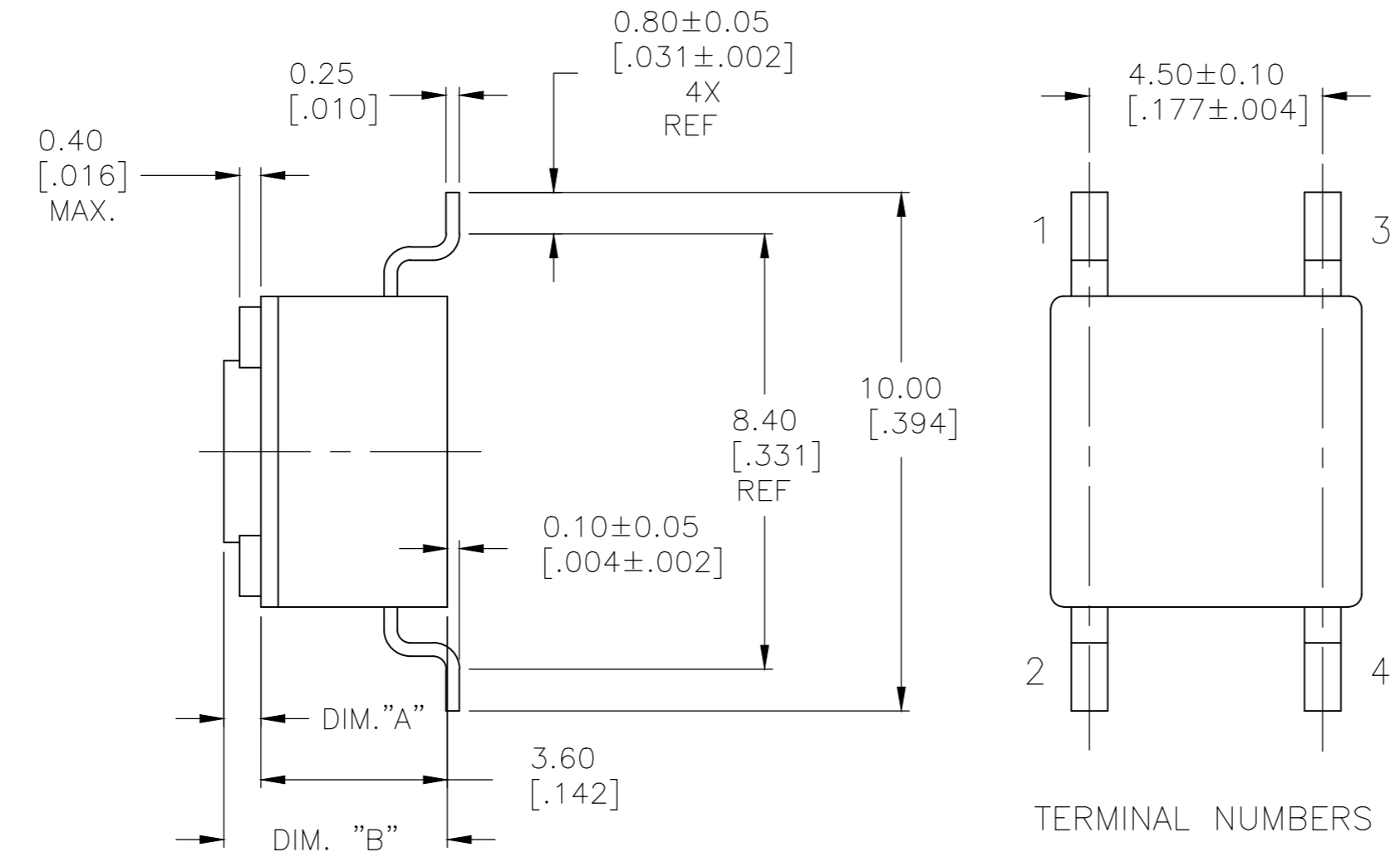
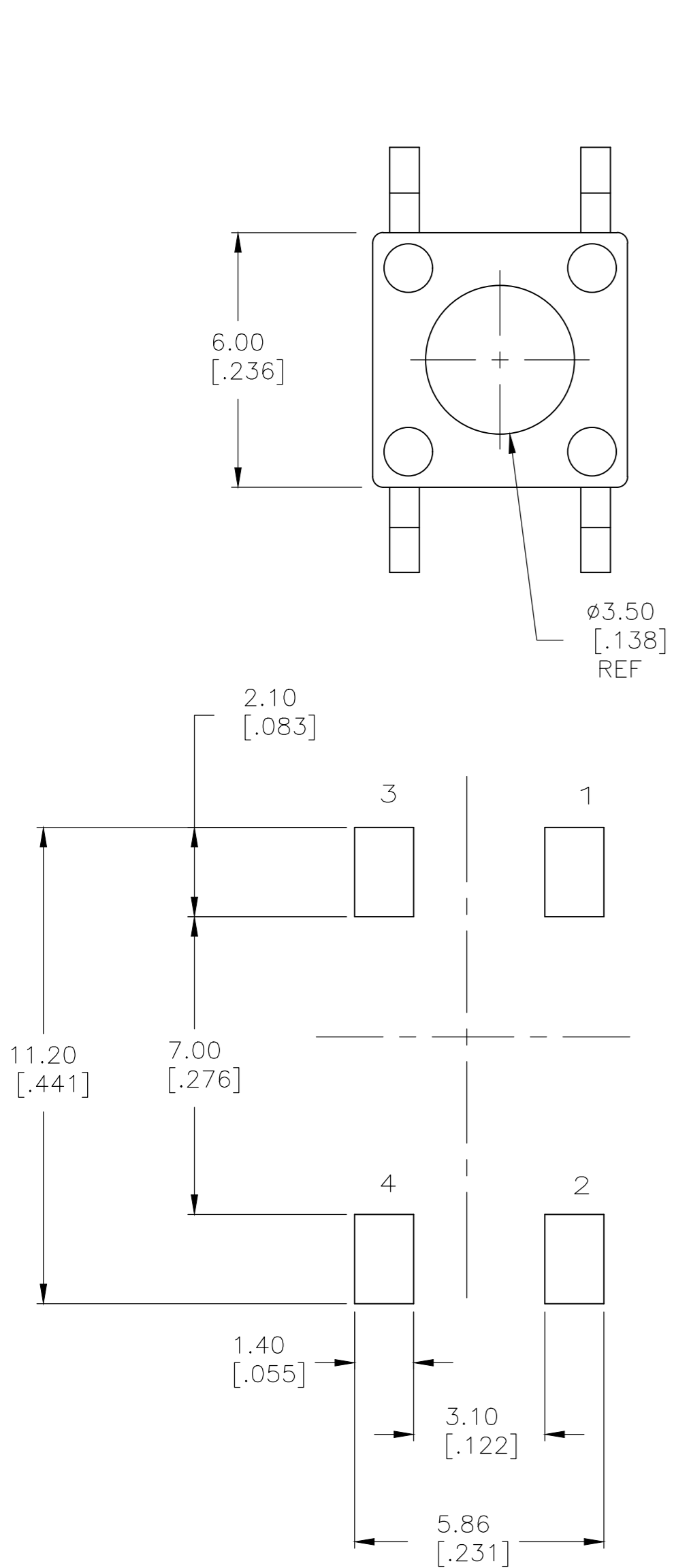
ACTUATION FORCE, SEE P/N TABLE  
 ACTUATION TRAVEL, 0.25 +0.20/-0.10  
 LIFE EXPECTANCY, 1,000,000,  
 (2 CYCLES PER SECOND AND 150% ACTUATION FORCE)

ENVIRONMENTAL:

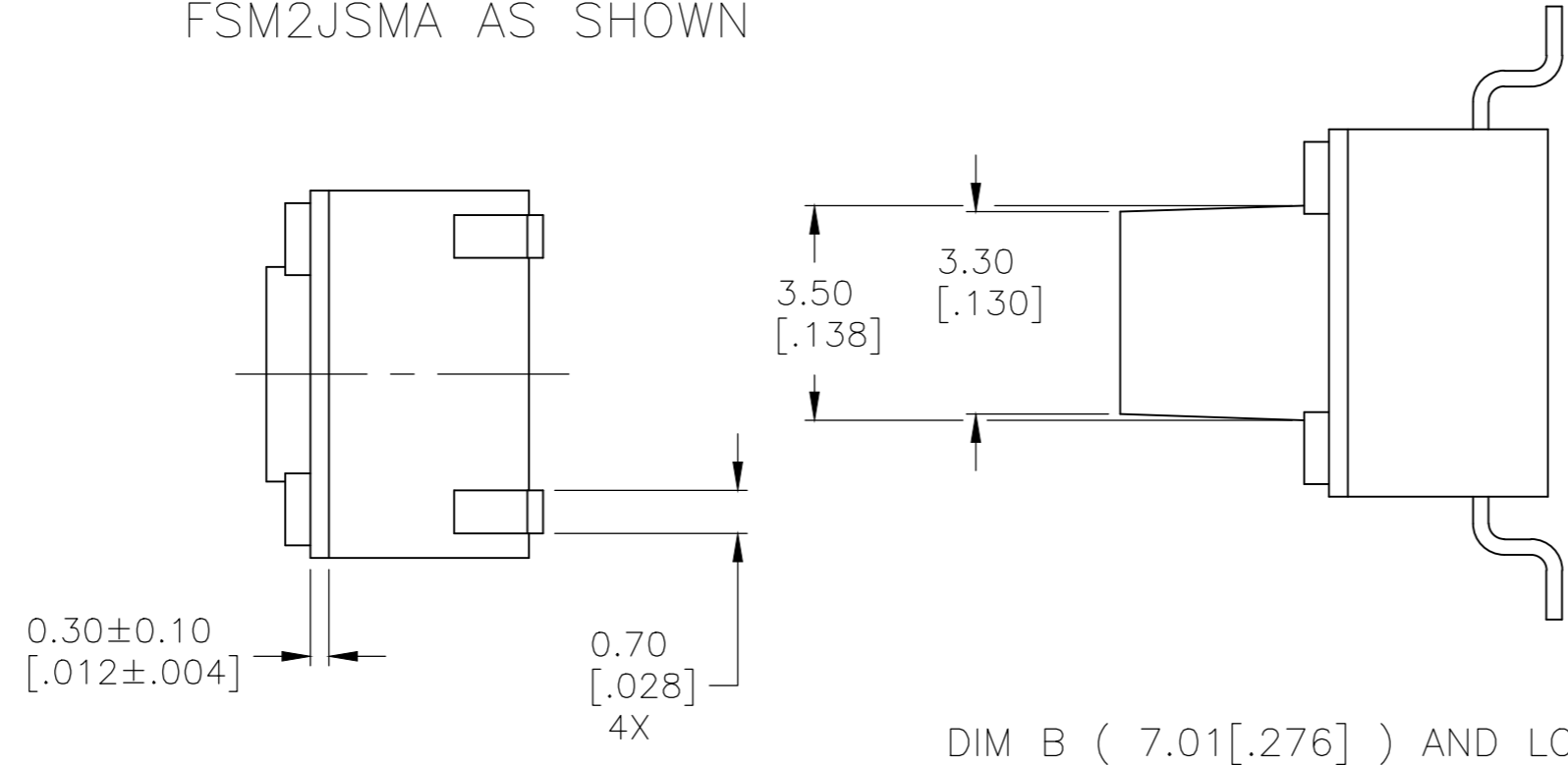
OPERATING TEMPERATURE, -40 TO +105° C  
 STORAGE TEMPERATURE, -40 TO +105° C  
 SOLDERABILITY, EIA-RS-186-9E, OR MIL-STD-202F  
 RESISTANCE TO SOLDER HEAT, 260° C FOR 10SEC-PER 109-201, COND B  
 1. NO CHANGE IN INITIAL ELECTRICAL AND MECHANICAL CHARACTERISTICS

NOTES:

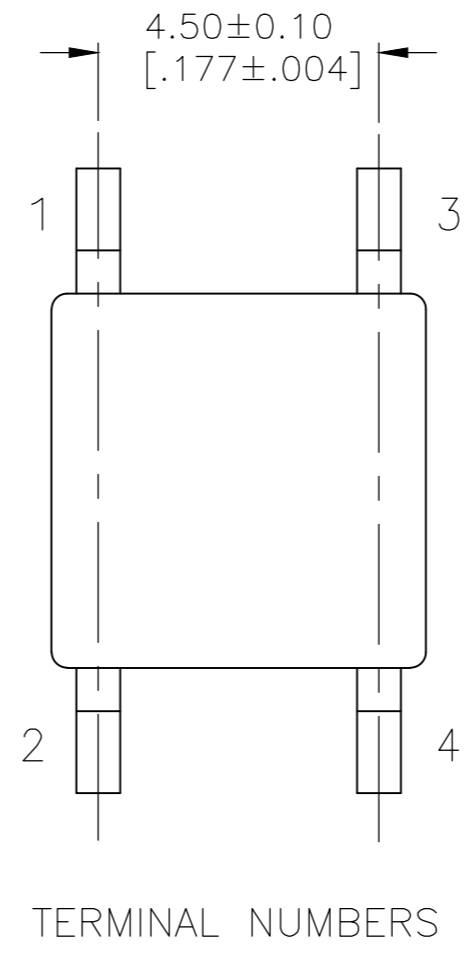
- TAPE AND REEL PACKAGING PER EIA 481.
- ALL MATERIALS AND FINISHES SHALL COMPLY WITH EU DIRECTIVE 2002/95/EC OF 27JAN2003 (ROHS)



FSM2JSMA AS SHOWN



DIM B ( 7.01 [.276] ) AND LONGER MODELS



TERMINAL NUMBERS

( )-INDICATES MOMENTARY POSITION		
CIRCUIT CHARACTERISTICS		
CONTACT POSITION		CIRCUIT DIAGRAM
OFF	(ON)	
	1 - 3 2 - 4	


THIS DRAWING IS A CONTROLLED DOCUMENT.		DWN M.BINNER 07NOV2007	TE Connectivity	
DIMENSIONS: mm [INCHES]		CHK M.SARVER 07NOV07		
TOLERANCES UNLESS OTHERWISE SPECIFIED:		APVD M.SARVER 07NOV07	NAME MICRO MINIATURE PUSHBUTTON SWITCH FSM JSM	
0 PLC ± - 1 PLC ± - 2 PLC ± 0.30 [.012] 3 PLC ± - 4 PLC ± - ANGLES ± 1°		PRODUCT SPEC	SIZE A2	
MATERIAL		APPLICATION SPEC	CAGE CODE 00779	DRAWING NO C=1977223
FINISH		WEIGHT	RESTRICTED TO	
		CUSTOMER DRAWING	SCALE 8:1	SHEET 1 OF 2
			REV B	

THIS DRAWING IS UNPUBLISHED. RELEASED FOR PUBLICATION 2-1437565-7, 2-1437565-7  
 © COPYRIGHT 2-1437565-7 ALL RIGHTS RESERVED.

REVISIONS					
P	LTR	DESCRIPTION	DATE	DWN	APVD
-	-	SEE SHEET 1	-	-	-

Life Cycle	Actuator Color	Actuator Material	Actuation Force	PITCH	TAPE WIDTH	DIM B	DIM A	T&B P/N	P/N
1,000,000	GREEN	Nylon	160±50g			13.00±0.20[.512±.008]	9.40±0.10[.370±.004]	FSM14JSMASSTR	3-1977223-2
1,000,000	DEEP PINK	Nylon	260±50g			13.00±0.20[.512±.008]	9.40±0.10[.370±.004]	FSM14JSMAS	2-1977223-9
1,000,000	GREEN	Nylon	160±50g			13.00±0.20[.512±.008]	9.40±0.10[.370±.004]	FSM14JSMAS	2-1977223-8
1,000,000	BLUE	Nylon	100±30g			13.00±0.20[.512±.008]	9.40±0.10[.370±.004]	FSM14JSMALS	2-1977223-7
1,000,000	DEEP PINK	Nylon	260±50g	12 MM	24 MM	9.50±0.20[.374±.008]	5.89±0.10[.232±.004]	FSM8JSMASSTR	2-1977223-6
OBSOLETE	DEEP PINK	Nylon	260±50g			9.50±0.20[.374±.008]	5.89±0.10[.232±.004]	FSM8JSMAS	2-1977223-5
1,000,000	GREEN	Nylon	160±50g	12 MM	24 MM	9.50±0.20[.374±.008]	5.89±0.10[.232±.004]	FSM8JSMASSTR	2-1977223-4
OBSOLETE	GREEN	Nylon	160±50g			9.50±0.20[.374±.008]	5.89±0.10[.232±.004]	FSM8JSMAS	2-1977223-3
1,000,000	BLUE	Nylon	100±30g	12 MM	24 MM	9.50±0.20[.374±.008]	5.89±0.10[.232±.004]	FSM8JSMALSSTR	2-1977223-2
OBSOLETE	BLUE	Nylon	100±30g			9.50±0.20[.374±.008]	5.89±0.10[.232±.004]	FSM8JSMALS	2-1977223-1
1,000,000	DEEP PINK	Nylon	260±50g	12 MM	24 MM	7.01±0.20[.276±.008]	3.40±0.10[.134±.004]	FSM6JSMASSTR	2-1977223-0
1,000,000	DEEP PINK	Nylon	260±50g			7.01±0.20[.276±.008]	3.40±0.10[.134±.004]	FSM6JSMAS	1-1977223-9
OBSOLETE	GREEN	Nylon	160±50g	12 MM	24 MM	7.01±0.20[.276±.008]	3.40±0.10[.134±.004]	FSM6JSMASSTR	1-1977223-8
OBSOLETE	GREEN	Nylon	160±50g			7.01±0.20[.276±.008]	3.40±0.10[.134±.004]	FSM6JSMAS	1-1977223-7
1,000,000	BLUE	Nylon	100±30g	12 MM	24 MM	7.01±0.20[.276±.008]	3.40±0.10[.134±.004]	FSM6JSMALSSTR	1-1977223-6
1,000,000	BLUE	Nylon	100±30g			7.01±0.20[.276±.008]	3.40±0.10[.134±.004]	FSM6JSMALS	1-1977223-5
OBSOLETE	VIOLET	Nylon	70±30g	12 MM	16 MM	4.98±0.25[.196±.010]	1.40±0.10[.055±.004]	FSM4JSMXLSTR	1-1977223-4
OBSOLETE	VIOLET	Nylon	70±30g			4.98±0.25[.196±.010]	1.40±0.10[.055±.004]	FSM4JSMXLS	1-1977223-3
OBSOLETE	DEEP PINK	Nylon	260±50g	12 MM	16 MM	4.98±0.25[.196±.010]	1.40±0.10[.055±.004]	FSM4JSMASSTR	1-1977223-2
OBSOLETE	DEEP PINK	Nylon	260±50g			4.98±0.25[.196±.010]	1.40±0.10[.055±.004]	FSM4JSMAS	1-1977223-1
1,000,000	GREEN	Nylon	160±50g	12 MM	16 MM	4.98±0.25[.196±.010]	1.40±0.10[.055±.004]	FSM4JSMASSTR	1-1977223-0
1,000,000	GREEN	Nylon	160±50g			4.98±0.25[.196±.010]	1.40±0.10[.055±.004]	FSM4JSMAS	1977223-9
SUPERCEDED BY 1571563-8	BLUE	Nylon	100±30g	12 MM	16 MM	4.98±0.25[.196±.010]	1.40±0.10[.055±.004]	FSM4JSMALSSTR	1977223-8
SUPERCEDED BY 1571563-7	BLUE	Nylon	100±30g			4.98±0.25[.196±.010]	1.40±0.10[.055±.004]	FSM4JSMALS	1977223-7
1,000,000	DEEP PINK	Nylon	260±50g	12 MM	16 MM	4.29±0.20[.169±.008]	0.71±0.10[.028±.004]	FSM2JSMASSTR	1977223-6
1,000,000	DEEP PINK	Nylon	260±50g			4.29±0.20[.169±.008]	0.71±0.10[.028±.004]	FSM2JSMAS	1977223-5
1,000,000	GREEN	Nylon	160±50g	12 MM	16 MM	4.29±0.20[.169±.008]	0.71±0.10[.028±.004]	FSM2JSMASSTR	1977223-4
1,000,000	GREEN	Nylon	160±50g			4.29±0.20[.169±.008]	0.71±0.10[.028±.004]	FSM2JSMAS	1977223-3
1,000,000	BLUE	Nylon	100±30g	12 MM	16 MM	4.29±0.20[.169±.008]	0.71±0.10[.028±.004]	FSM2JSMALSSTR	1977223-2
1,000,000	BLUE	Nylon	100±30g			4.29±0.20[.169±.008]	0.71±0.10[.028±.004]	FSM2JSMALS	1977223-1

SUPERCEDED BY 1571563-8  
 SUPERCEDED BY 1571563-7

THIS DRAWING IS A CONTROLLED DOCUMENT.		DWN M.BINNER 07NOV2007	 TE Connectivity	
DIMENSIONS: mm [INCHES]		CHK M.SARVER 07NOV07		
TOLERANCES UNLESS OTHERWISE SPECIFIED:		APVD M.SARVER 07NOV07	NAME MICRO MINIATURE PUSHBUTTON SWITCH FSM JSM	
0 PLC ± - 1 PLC ± - 2 PLC ± 0.30[.012] 3 PLC ± - 4 PLC ± - ANGLES ± 1°		PRODUCT SPEC -	SIZE A2	
MATERIAL -		FINISH -	APPLICATION SPEC -	CAGE CODE 00779
		WEIGHT -	DRAWING NO C=1977223	RESTRICTED TO -
CUSTOMER DRAWING			SCALE 8:1	SHEET 2 OF 2
			REV B	

## X-ON Electronics

Largest Supplier of Electrical and Electronic Components

*Click to view similar products for [Tactile Switches](#) category:*

*Click to view products by [TE Connectivity](#) manufacturer:*

Other Similar products are found below :

[5GTH92001](#) [1-1977120-4](#) [ADTSA62NV](#) [ADTSA62RV](#) [ADTSA63KV](#) [ADTSA644NV](#) [ADTSMW66NV](#) [ADTSMW67RV](#) [B3F-3123](#) [B3F-6055A](#) [B3F-B32-01-KIT](#) [1977177-8](#) [1977266-1](#) [ADTS644KV](#) [ADTSA61RV](#) [ADTSA62KV](#) [ADTSA63NV](#) [ADTSA63RV](#) [ADTSM21NSVTR](#) [ADTSM32NVTR](#) [ADTSM63SVTR](#) [ADTSM644KVTR](#) [ADTSMW64RV](#) [ADTSMW69NV](#) [FSMRA4JHA04](#) [GS4.70F300QP](#) [3ESH9R](#) [506E00201](#) [MJTP1164TR](#) [3FTL600RAS](#) [3FTL640RAS](#) [Y96K132V0FPLFS](#) [101-TS5022T1601-EV](#) [5GSH92001](#) [KSJ0A231](#) [80SH LFG](#) [ADTSM31NVTR](#) [EVQ-P1D05K](#) [MJTP1162TR](#) [ADTSM63KV](#) [2-1977120-7](#) [TSJW-5.2-260-TR](#) [KMT011MNGJLHS](#) [B3WN6002S](#) [ADTSA648RV](#) [70-201.0](#) [ADTSG648NV](#) [ADTSM62KSVTR](#) [ATA600VTR](#) [ADTSG66RV](#) [ADTS61NV](#)