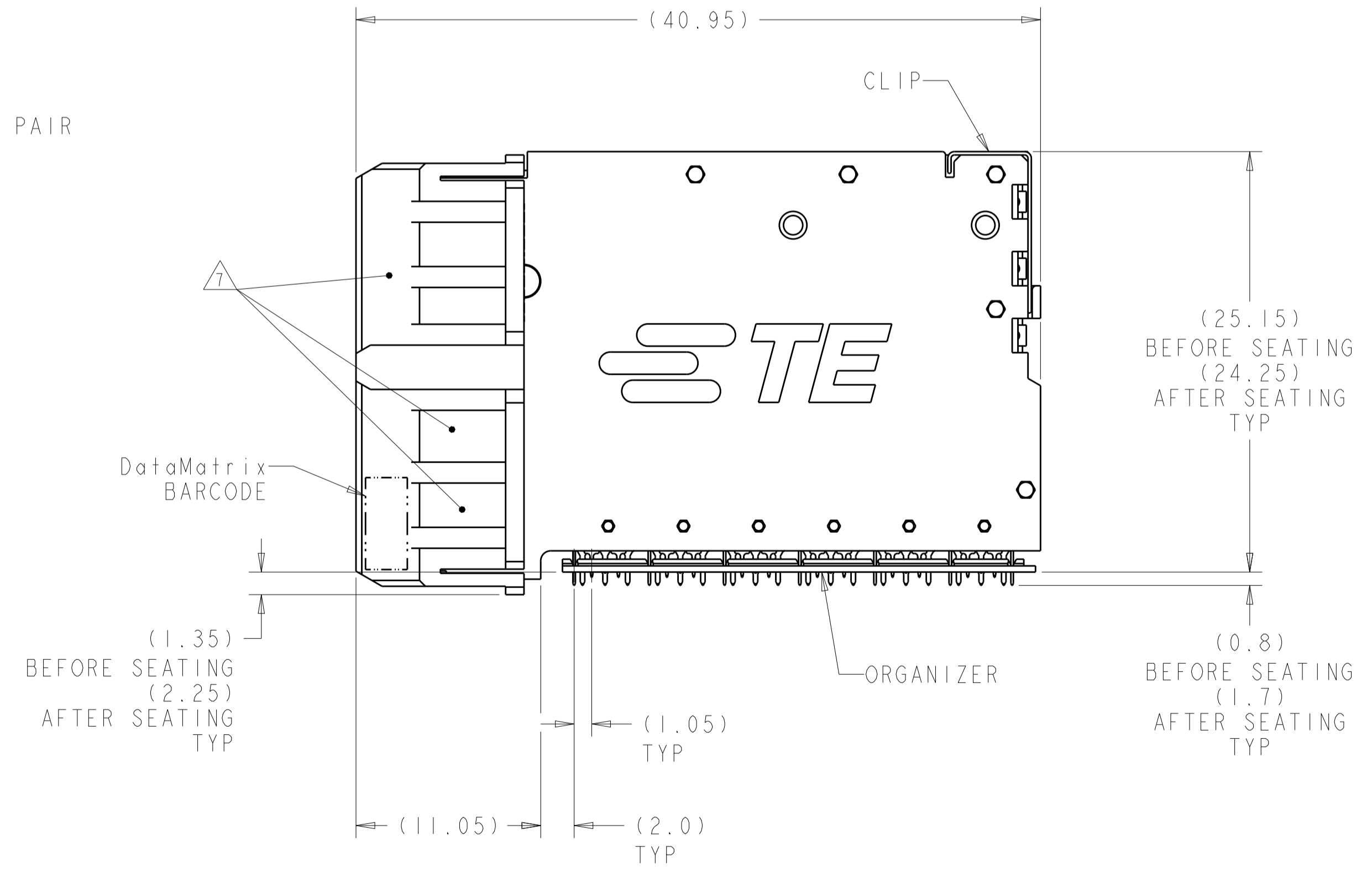
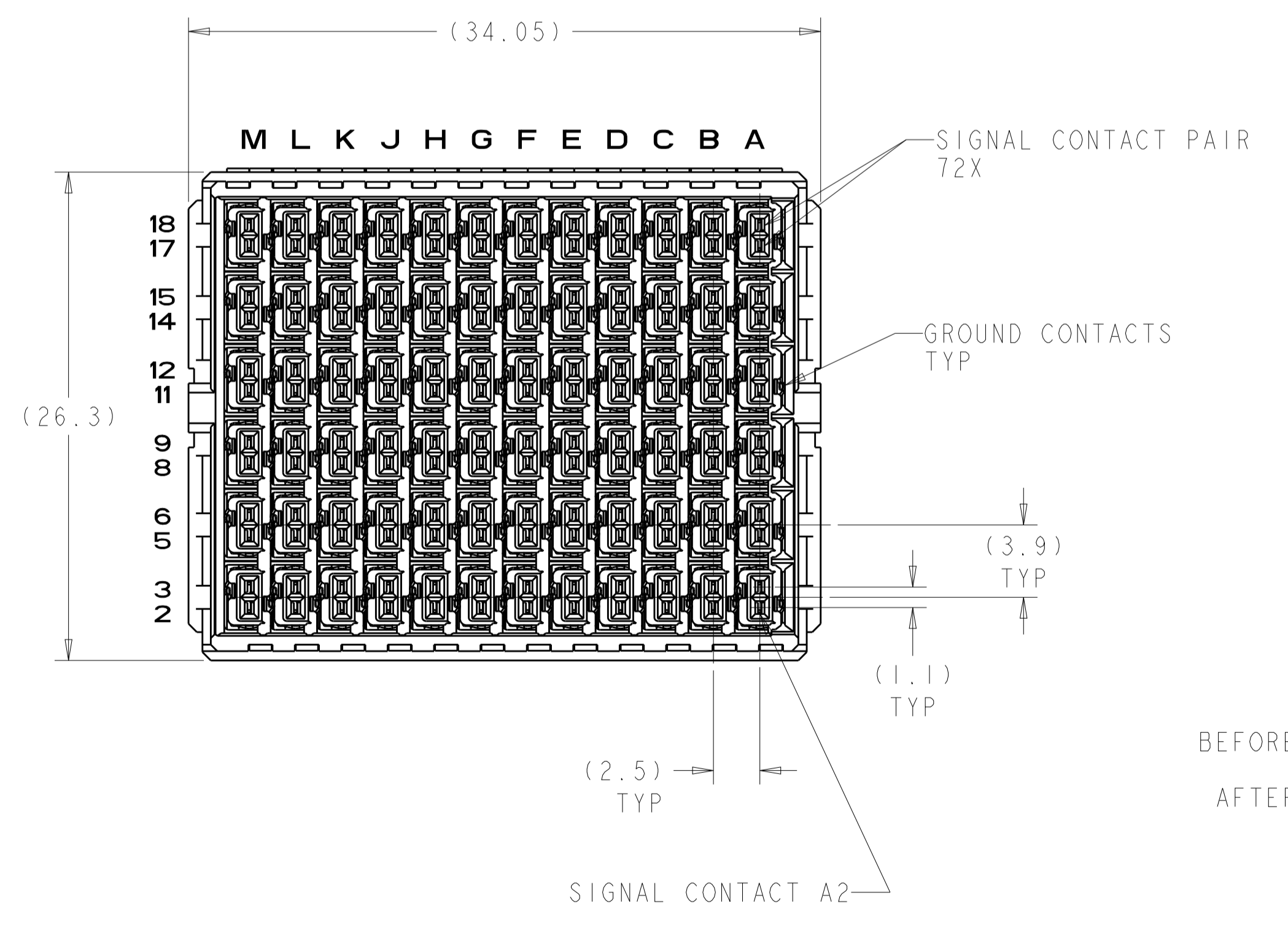
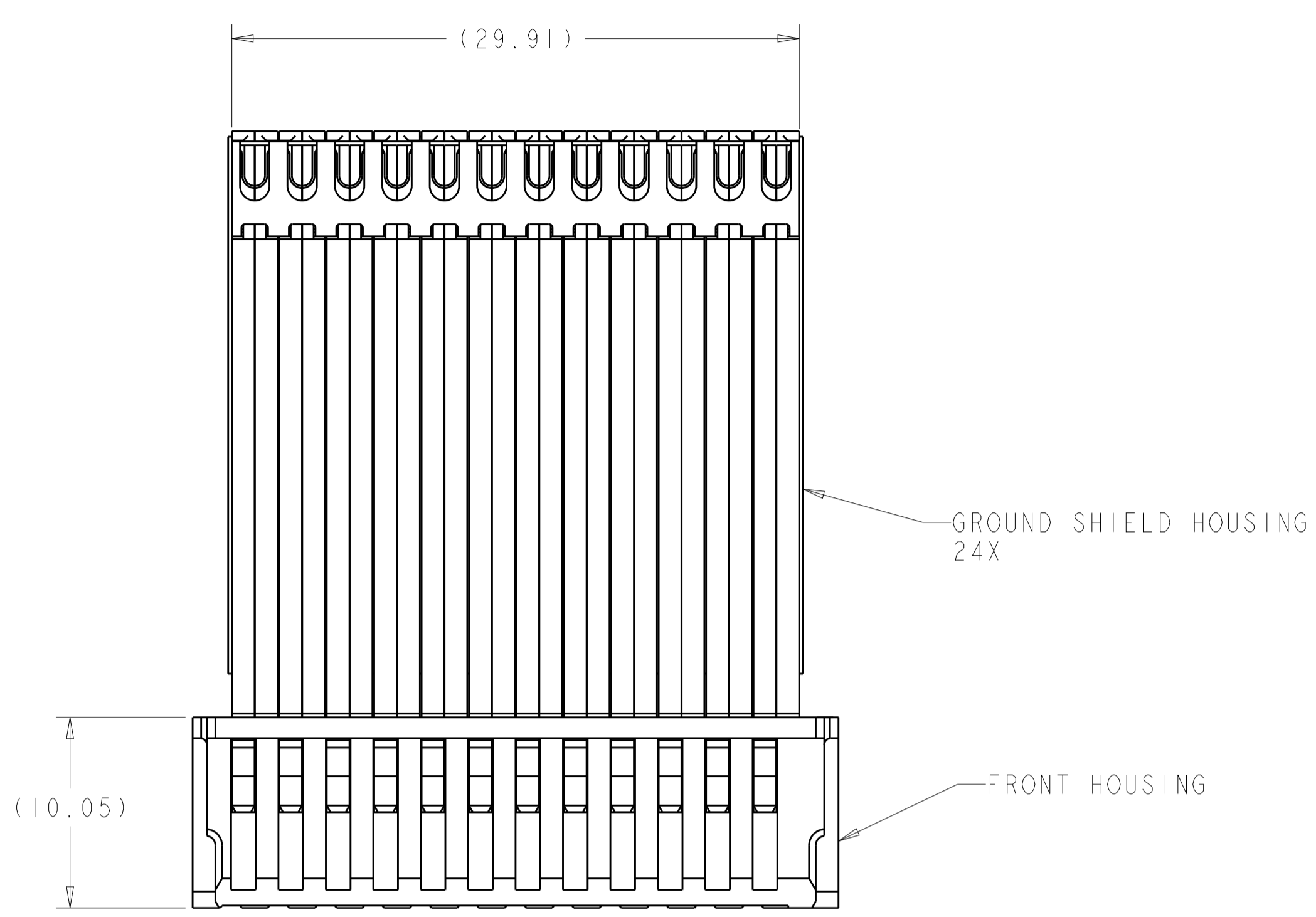


LOC		DIST		REVISIONS				
GP	00	P	LTN	DESCRIPTION	DATE	DWN	APVD	
		A		RELEASED PER ECO-17-009578	05JUL2017	JM	DT	
		B		REVISED PER ECO-19-011912	05AUG2019	AP	RP	

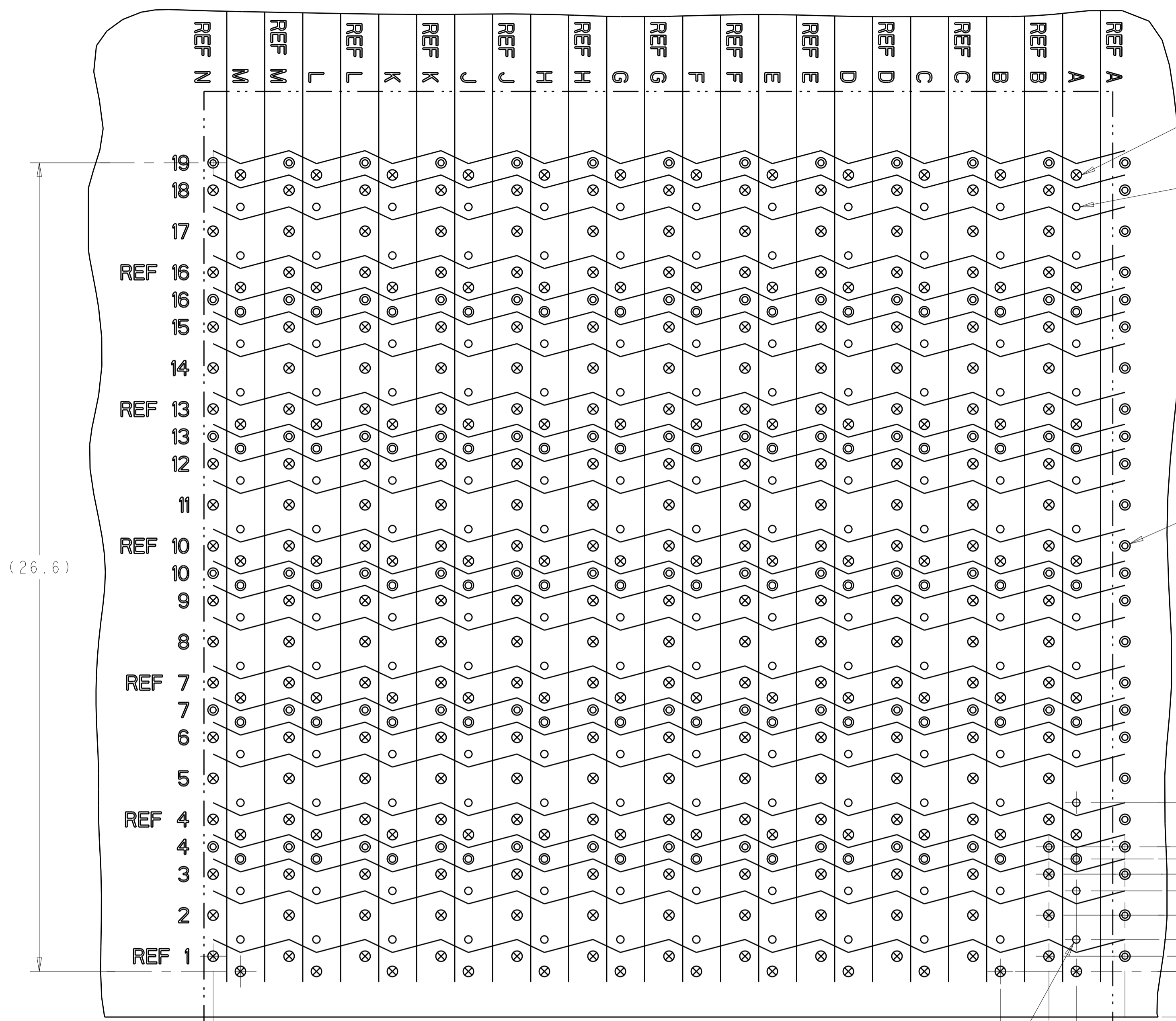


- 1 CONTACTS - COPPER ALLOY. CLIP - STAINLESS STEEL, HOUSINGS AND ORGANIZER - THERMOPLASTIC, UL 94V-0, BLACK.
- 2 CONFORMS TO REQUIREMENTS OF TE PRODUCT SPECIFICATION 108-32021, BASED ON TELCORDIA GR-1217-CORE FOR SYSTEM QUALITY LEVEL III APPLICATIONS IN CONTROLLED ENVIRONMENTS (CENTRAL OFFICE).
- 3 PLATED THRU HOLE REQUIREMENTS -GROUND AND S1:  
 FINISHED HOLE =  $\varnothing 0.37 \pm 0.05$   
 DRILLED HOLE =  $\varnothing 0.450 \pm 0.025$   
 COPPER THICKNESS = 0.025 MIN  
 IMMERSION TIN IF APPLICABLE = (0.00095)
- 4 PLATED THRU HOLE REQUIREMENTS -SIGNAL:  
 FINISHED HOLE =  $\varnothing 0.24 \pm 0.04$   
 DRILLED HOLE =  $\varnothing 0.320 \pm 0.025$   
 COPPER THICKNESS = 0.025 MIN  
 IMMERSION TIN IF APPLICABLE = (0.00095)
- 5 SIGNAL HOLES:  
 PLATED THRU HOLE DIMENSIONS APPLY TO THE TOP 1.00 MOUNTING SIDE OF PCB THICKNESS FROM THE CONNECTOR MOUNTING SIDE.  
 GROUND HOLES:  
 PLATED THRU HOLE DIMENSIONS APPLY TO THE TOP 1.25 MOUNTING SIDE OF PCB THICKNESS FROM THE CONNECTOR MOUNTING SIDE.
- 6 DATUMS AND BASIC DIMENSIONS ESTABLISHED BY CUSTOMER.
- 7 CONNECTOR MARKED ON EITHER SIDE OF HOUSING WITH PART NUMBER, DATE CODE, AND "100 OHM" IN APPROXIMATE AREA SHOWN.

TIN	2198174-1
PRESS-FIT TAIL PLATING	PART NO

THIS DRAWING IS A CONTROLLED DOCUMENT.		DWN	J. McCLINTON	2AUG2011
DIMENSIONS:		CHK	J. McCLELLAN	12AUG2011
mm	0 PLC ±	APVD	J. McCLELLAN	12AUG2011
	1 PLC ±0.25	NAME		RECEPTACLE ASSEMBLY, RIGHT ANGLE,
	2 PLC ±0.20	PRODUCT SPEC		6 PAIR 12 COLUMN,
	3 PLC ±	APPLICATION SPEC		100 OHM PiC, STRADA WHISPER
	4 PLC ±	SIZE	CAGE CODE	DRAWING NO
	ANGLES ±	A1	00779	2198174
MATERIAL	FINISH	WEIGHT	RESTRICTED TO	
			CUSTOMER DRAWING	
		SCALE	4:1	SHEET 1 OF 2
		REV	B	

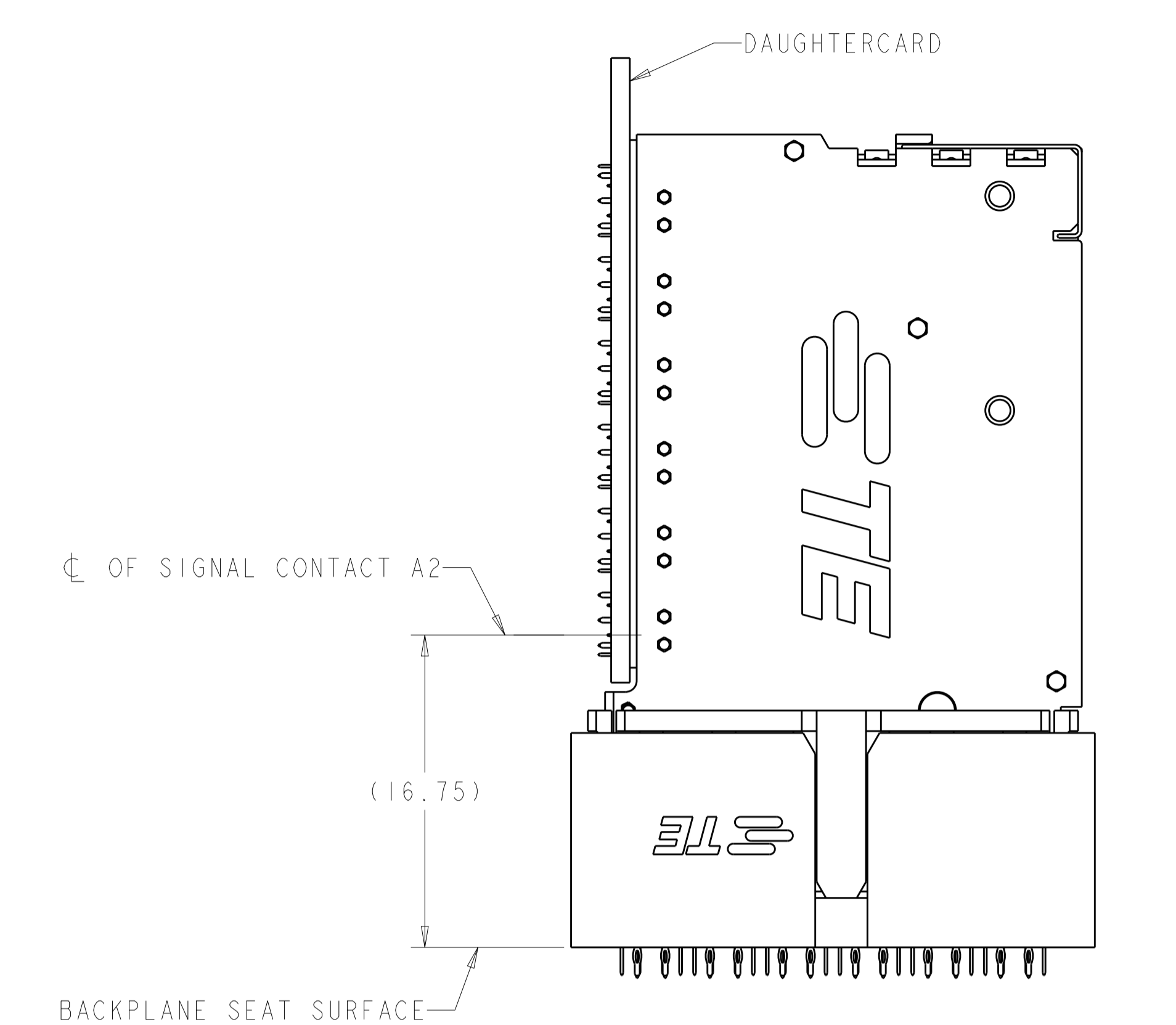
LOC	DIST	REVISIONS					
GP	00	P	LTN	DESCRIPTION	DATE	DWN	APVD
		-		SEE SHEET 1			



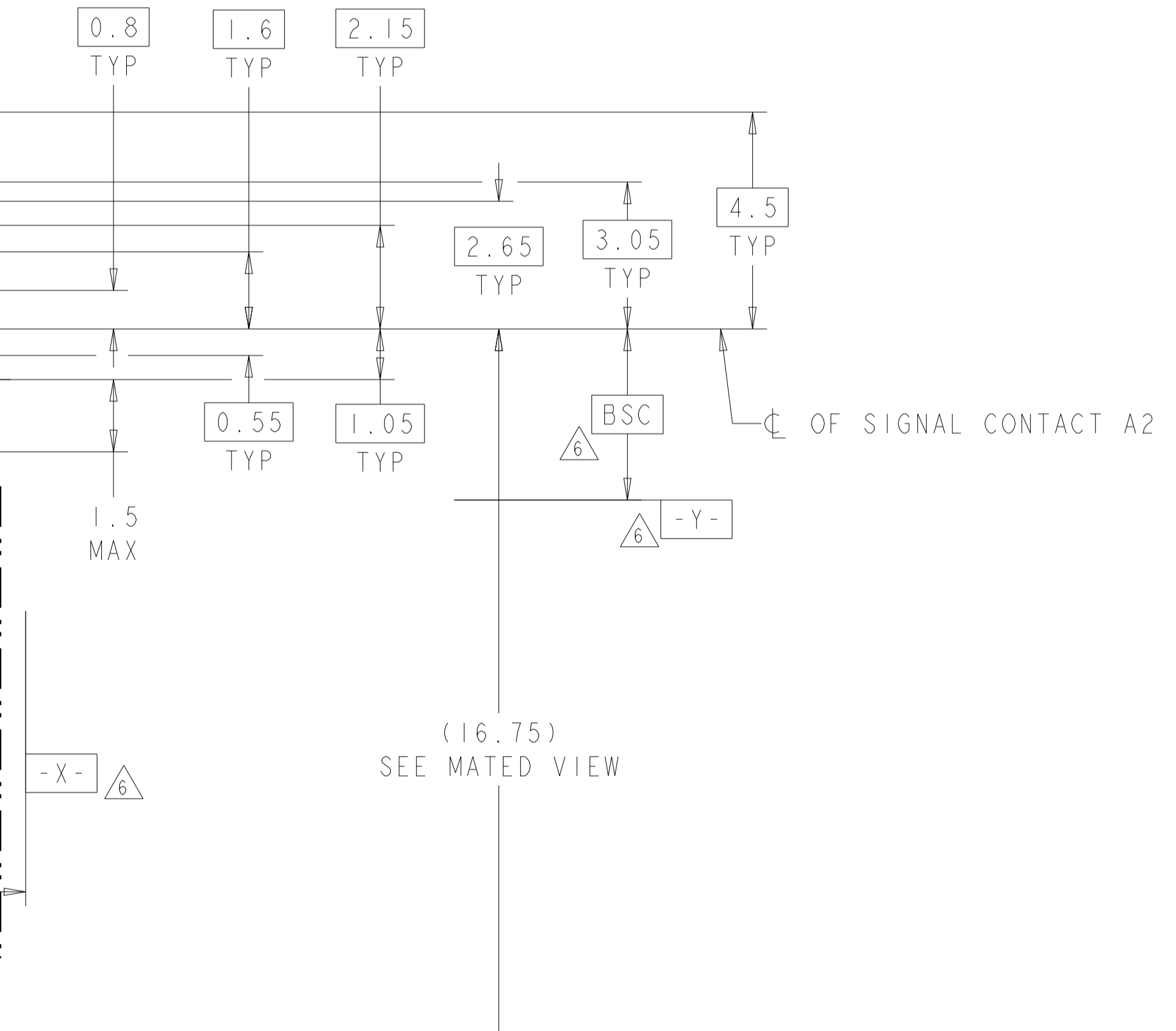
300X (Ø0.37)  
 $\oplus \text{Ø}0.1 \text{X} \text{Y} \begin{matrix} \triangle 3 \\ \triangle 4 \\ \triangle 5 \end{matrix}$

144X (Ø0.24)  
 $\oplus \text{Ø}0.1 \text{X} \text{Y} \begin{matrix} \triangle 4 \\ \triangle 5 \end{matrix}$

SI VIAS ARE NOT USED FOR CONTACT INSERTION



MATED VIEW



- = SIGNAL
- ⊗ = GROUND
- ⊙ = SIGNAL INTEGRITY VIA TO GROUND

PCB LAYOUT  
 COMPONENT SIDE  
 SCALE 10:1

THIS DRAWING IS A CONTROLLED DOCUMENT.		OWN J. McCLELLAN	2AUG2011	TE Connectivity
DIMENSIONS:		CHK J. McCLELLAN	2AUG2011	
mm	TOLERANCES UNLESS OTHERWISE SPECIFIED:	APVD J. McCLELLAN	2AUG2011	NAME RECEPTACLE ASSEMBLY, RIGHT ANGLE, 6 PAIR 12 COLUMN, 100 OHM PiC, STRADA WHISPER
	0 PLC ± 2 PLC ±0.25 3 PLC ±0.20 4 PLC ± 5 PLC ± ANGLES ±	PRODUCT SPEC	APPLICATION SPEC	SIZE A1
MATERIAL	FINISH	WEIGHT	114-32029	CAGE CODE 00779
CUSTOMER DRAWING		DRAWING NO	2198174	RESTRICTED TO
SCALE 4:1		SHEET 2	OF 2	REV B

## X-ON Electronics

Largest Supplier of Electrical and Electronic Components

*Click to view similar products for [High Speed/Modular Connectors](#) category:*

*Click to view products by [TE Connectivity](#) manufacturer:*

Other Similar products are found below :

[650827-1](#) [74040-1346](#) [1410191-1](#) [1410368-3](#) [1410964-2](#) [1410326-3](#) [1410367-3](#) [1410971-4](#) [1467833-1](#) [2000877-1](#) [2000878-1](#) [2041314-1](#)  
[2065387-1](#) [2187307-1](#) [163P](#) [1934290-1](#) [2000875-1](#) [2065917-1](#) [2102736-2](#) [FSR-40](#) [2169868-2](#) [22354-8](#) [437-5040-000](#) [5-1393565-0](#) [039-](#)  
[0246-000](#) [0761601016](#) [0784461022](#) [10123159-12ELF](#) [030-2415-003/100 PK](#) [030-7380-004](#) [030-2494-001](#) [532939-1](#) [5532901-3](#) [3-1469268-](#)  
[7](#) [74748-102LF](#) [10041743-101LF](#) [10066670-100002LF](#) [1-533915-1](#) [249-4515-000](#) [7-1469373-3](#) [DL2-2J/S](#) [2000713-8](#) [2000713-7](#)  
[10124313-101LF](#) [3011-21](#) [757105208](#) [EBTF-4-10-2.0-S-RA-1](#) [430305-001](#) [4395800100](#) [8140115](#)