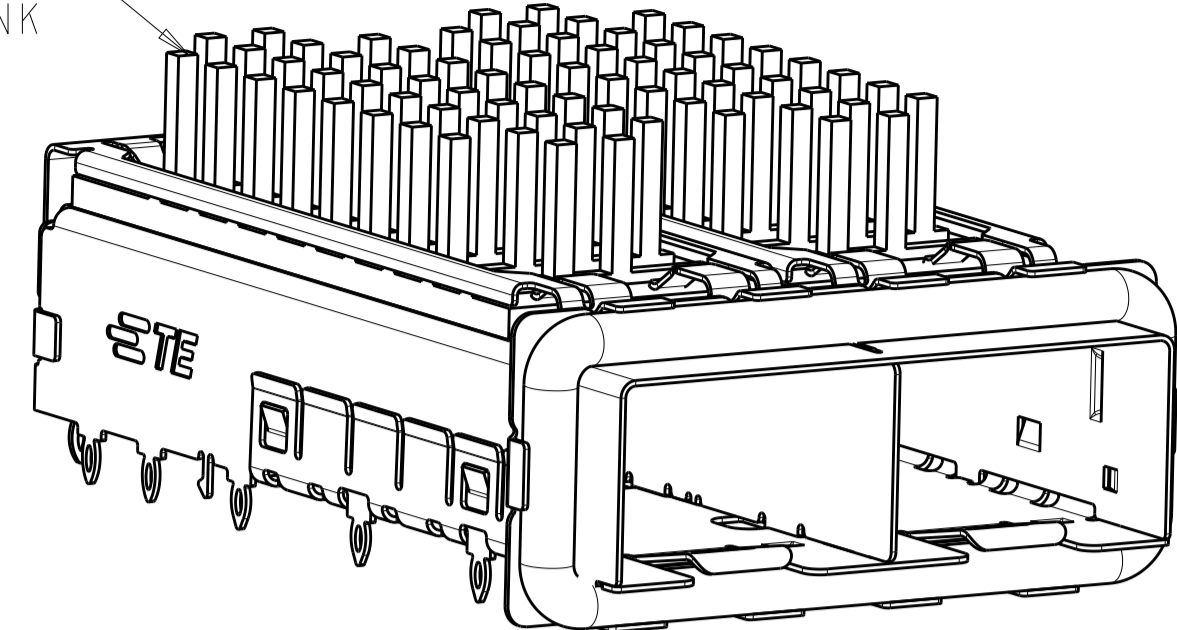


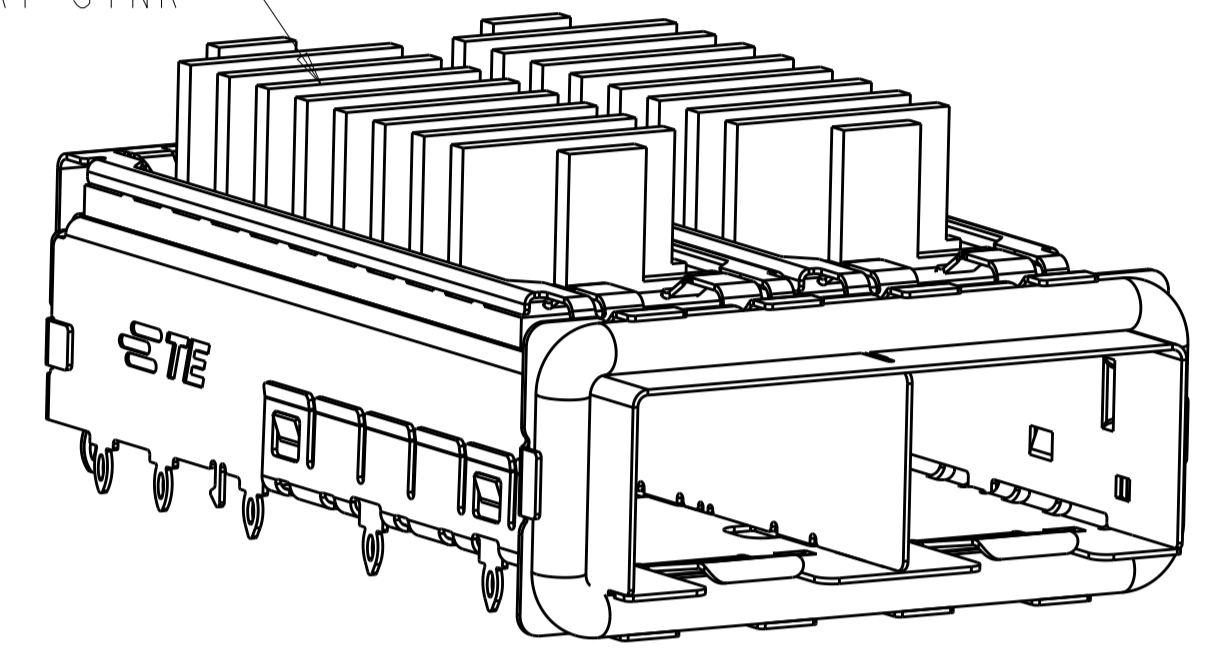
LOC	DIST	REVISIONS			
GP	00	REV	DATE	BY	APPV
A		RELEASED PER ECO-12-013192	05SEP2012	BMM	MRS
A1		RELEASED PER ECO-13-0014600	12OCT2013	PP	SH

PIN TYPE  
HEAT SINK



2198224-1,2,3,4  
FINISHED ASSEMBLY

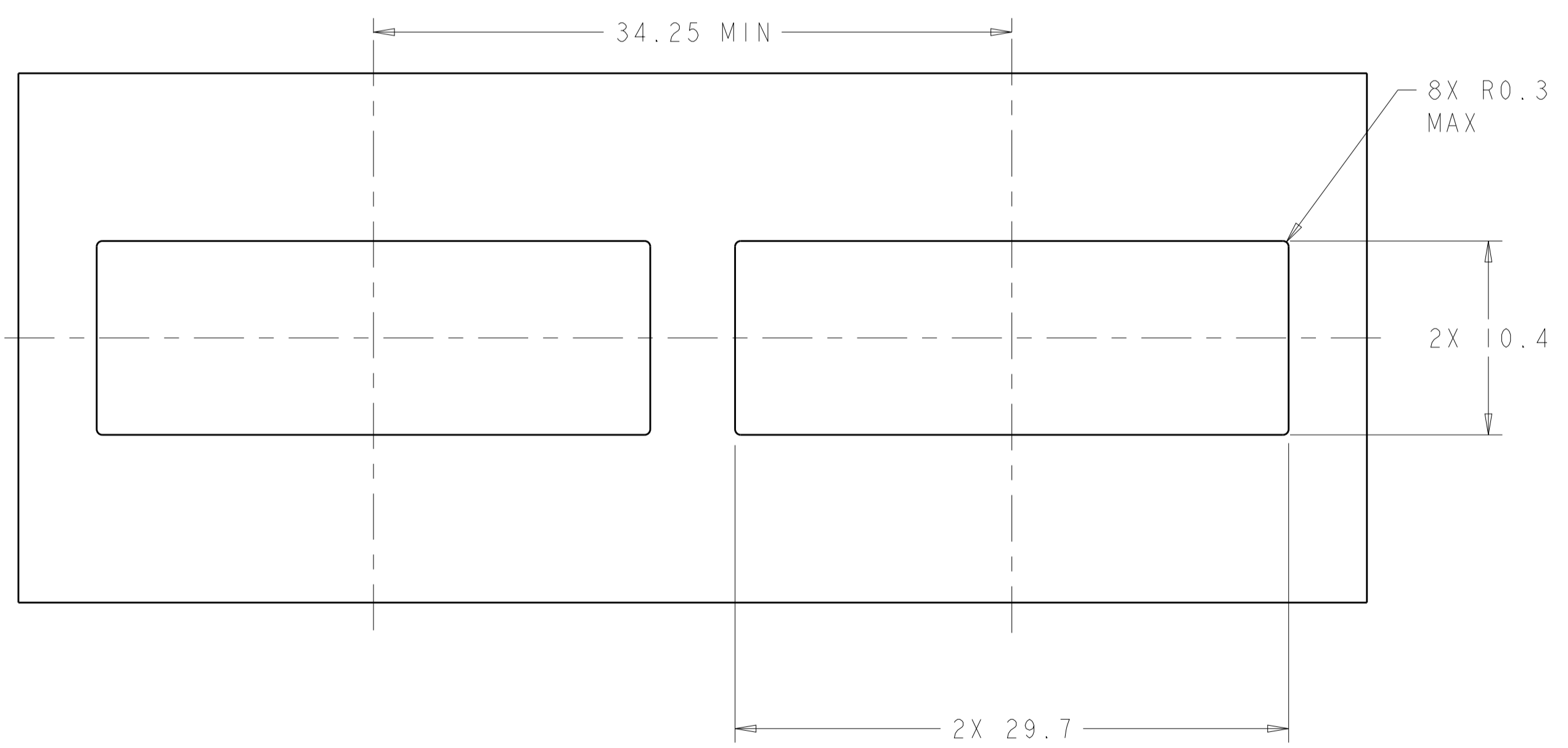
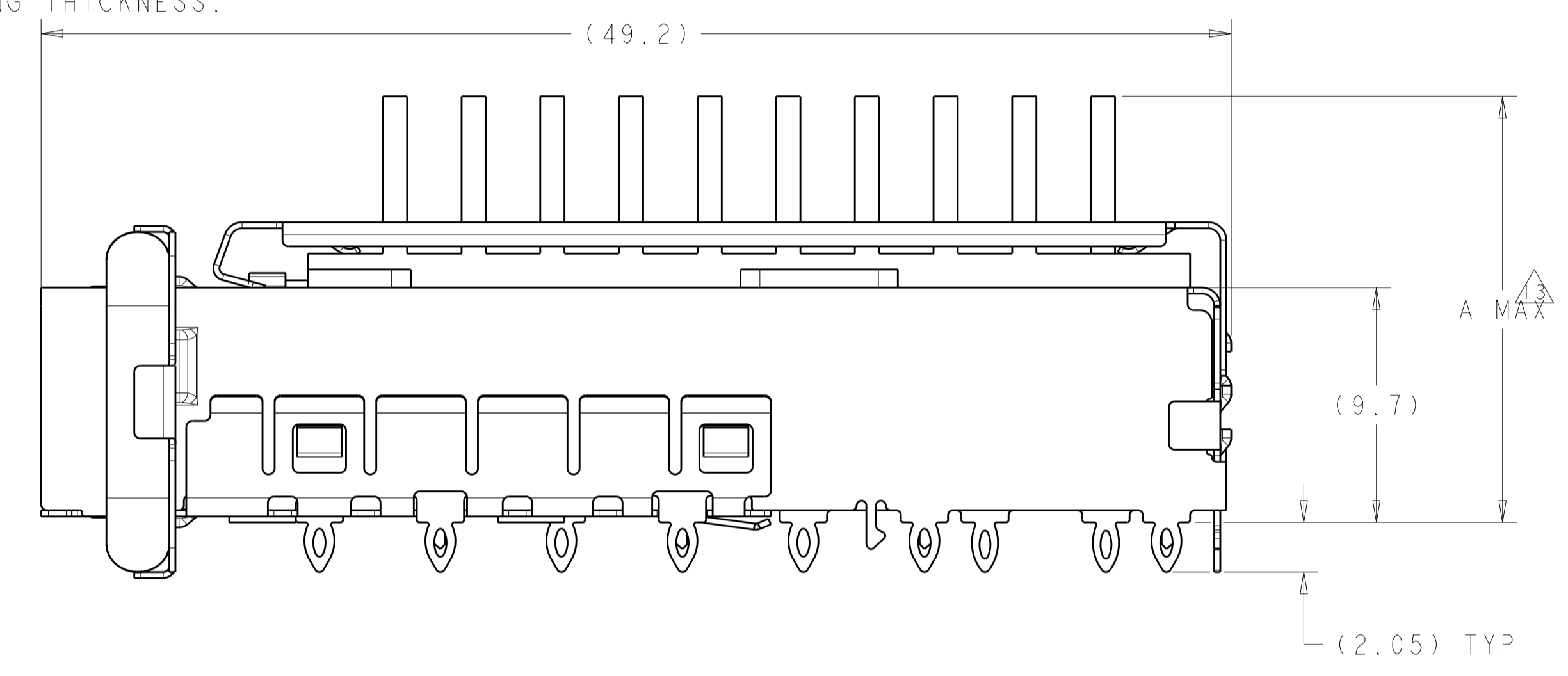
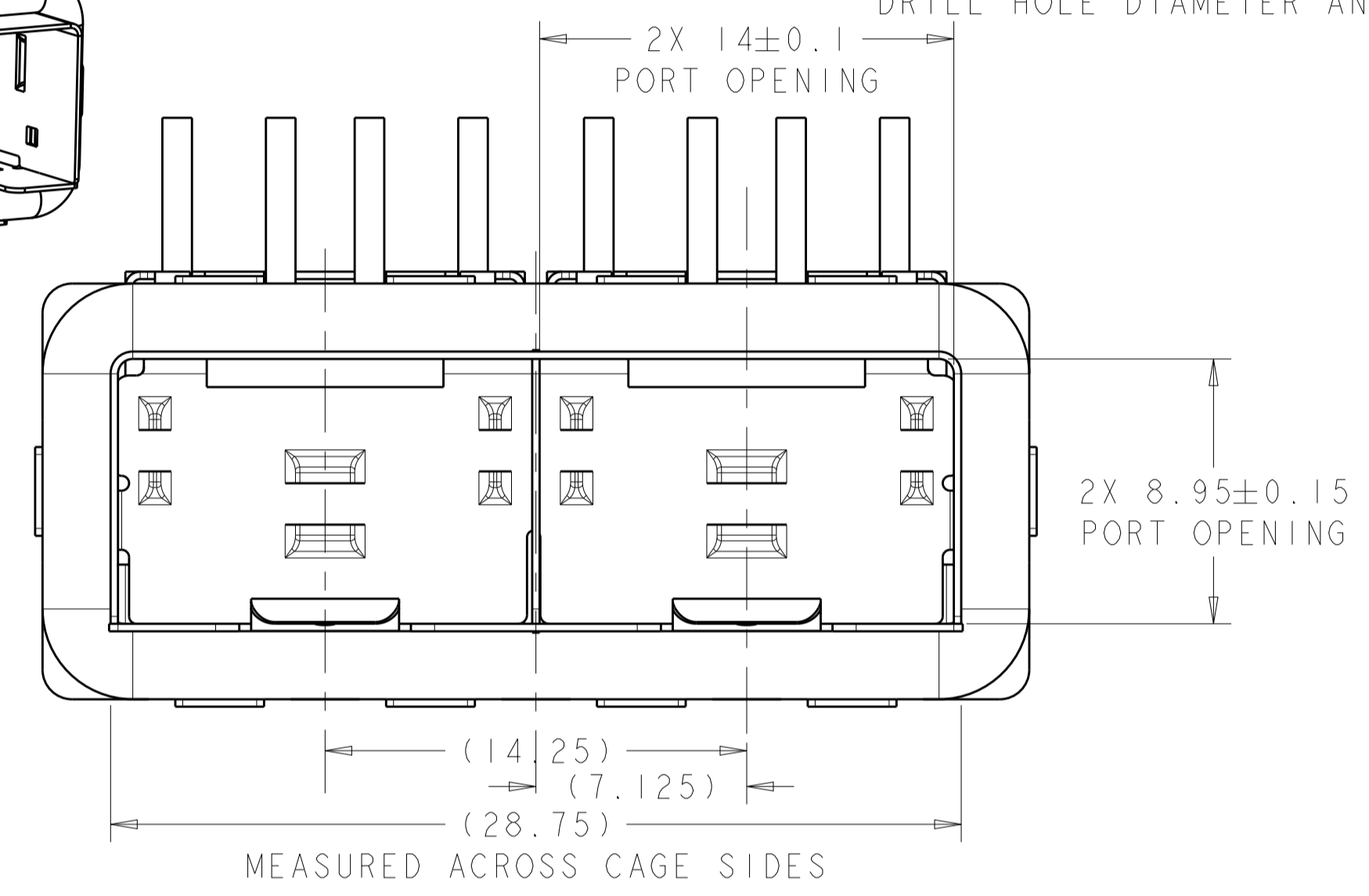
FIN TYPE  
HEAT SINK



2198224-5,6,7,8  
FINISHED ASSEMBLY

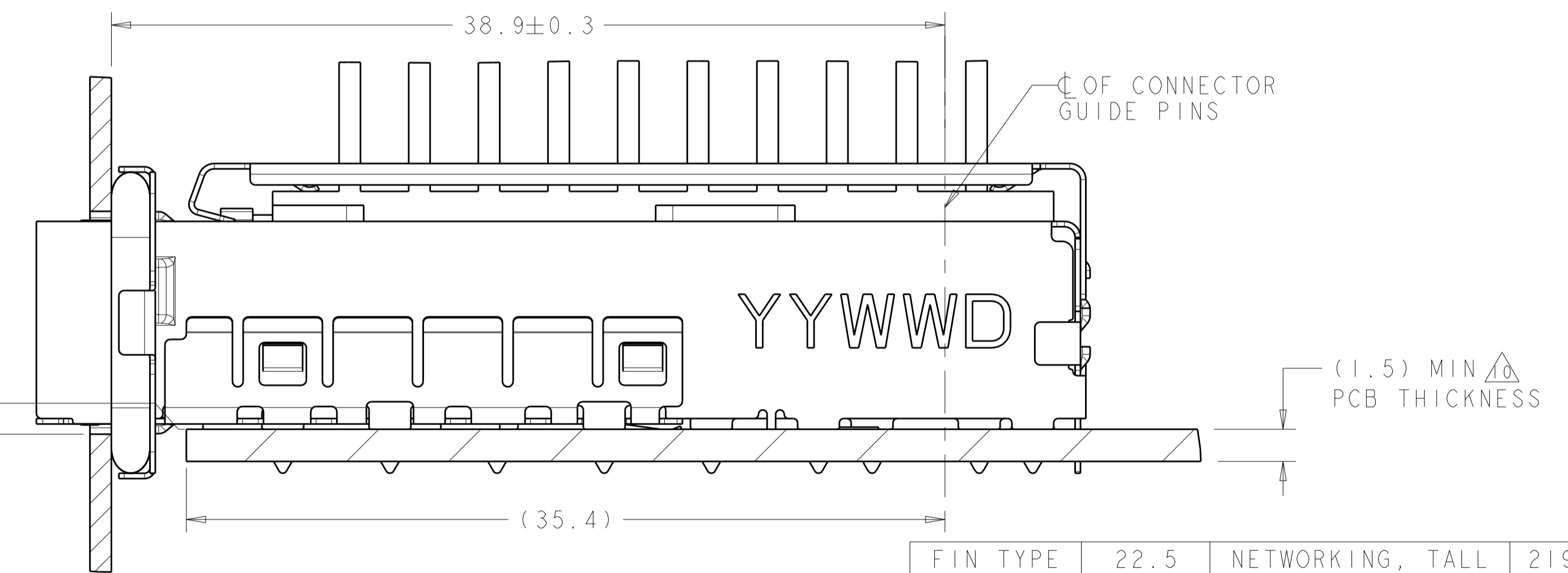
- 1 MATERIAL:  
CAGE ASSEMBLY: 0.25mm THICK NICKEL SILVER ALLOY  
GASKET RETENTION PLATE: STAINLESS STEEL  
EMI GASKET: PLATED FILLED SILICONE  
HEATHSINK CLIP: STAINLESS STEEL  
HEATSINK: ALUMINUM
- 2 FINISH:  
HEATSINK: ELECTROLESS NICKEL  
HEATSINK CLIP: PASSIVATE
- 3 DATUM AND BASIC DIMENSIONS ESTABLISHED BY CUSTOMER.
- 4 PADS AND VIAS CHASSIS GROUND.
- 5. MATES WITH SFP MSA COMPLIANT RECIEVERS.
- 6. INTERPRETATION OF DATUM REFERENCE FRAME IN ACCORDANCE WITH SECT 4.4.1.1 OR ASME Y14.5M-1994.
- 7 HOLE PATTERN REPEATS FOR EACH PORT, SPACING BETWEEN PORTS IS 14.25mm.
- 8 REFERENCE APPLICATION SPEC. 114-13120, HOLE A, FOR RECOMMENDED DRILL HOLE DIAMETER AND PLATING THICKNESS.
- 9 REFERENCE APPLICATION SPEC. 114-13120, HOLE B, FOR RECOMMENDED DRILL HOLE DIAMETER AND PLATING THICKNESS.

- 10 MINIMUM PC BOARD THICKNESS:  
SINGLE SIDED: 1.5mm
- 11. CERTAIN MATING TRANCEIVERS MAY REQUIRE ADDITIONAL PCB THICKNESS THAT WOULD NEED TO BE DETERMINED BY THE CUSTOMER.
- 12. PRODUCT COMPLIES WITH SPECIFICATION SFF-8433 IMPROVED PLUGGABLE FORM FACTOR FOR SFP+ GANGED CAGES.
- 13 DIMENSION APPLIES PRIOR TO INSERTION OF SFP MODULE.



RECOMMENDED BEZEL CUT-OUT  
SINGLE SIDED APPLICATIONS  
SCALE 4:1

0.23<sup>+0.10</sup><sub>-0.14</sub>  
TOP OF PCB  
TO INSIDE OF  
BEZEL CUTOUT



2198224  
MOUNTED ON PC BOARD  
SHOWN THRU RECOMMENDED BEZEL

FIN TYPE	22.5	NETWORKING, TALL	2198224-8
FIN TYPE	18.1	NETWORKING, SHORT	2198224-7
FIN TYPE	15.5	SAN	2198224-6
FIN TYPE	13.2	PCI	2198224-5
PIN TYPE	22.5	NETWORKING, TALL	2198224-4
PIN TYPE	18.1	NETWORKING, SHORT	2198224-3
PIN TYPE	15.5	SAN	2198224-2
PIN TYPE	13.2	PCI	2198224-1
HEAT SINK	A MAX	APPLICATION	PART NUMBER

THIS DRAWING IS A CONTROLLED DOCUMENT.

DIMENSIONS: mm

TOLERANCES UNLESS OTHERWISE SPECIFIED:

0 PLC	±0.13
1 PLC	±0.1
2 PLC	±0.08
3 PLC	±0.05
4 PLC	±0.05
ANGLES	±0.5

MATERIAL: FINISH:

OWN: B. MATTHEWS 12OCT2011  
 CHK: M. SCHMITT 12OCT2011  
 APVD: M. SCHMITT 12OCT2011

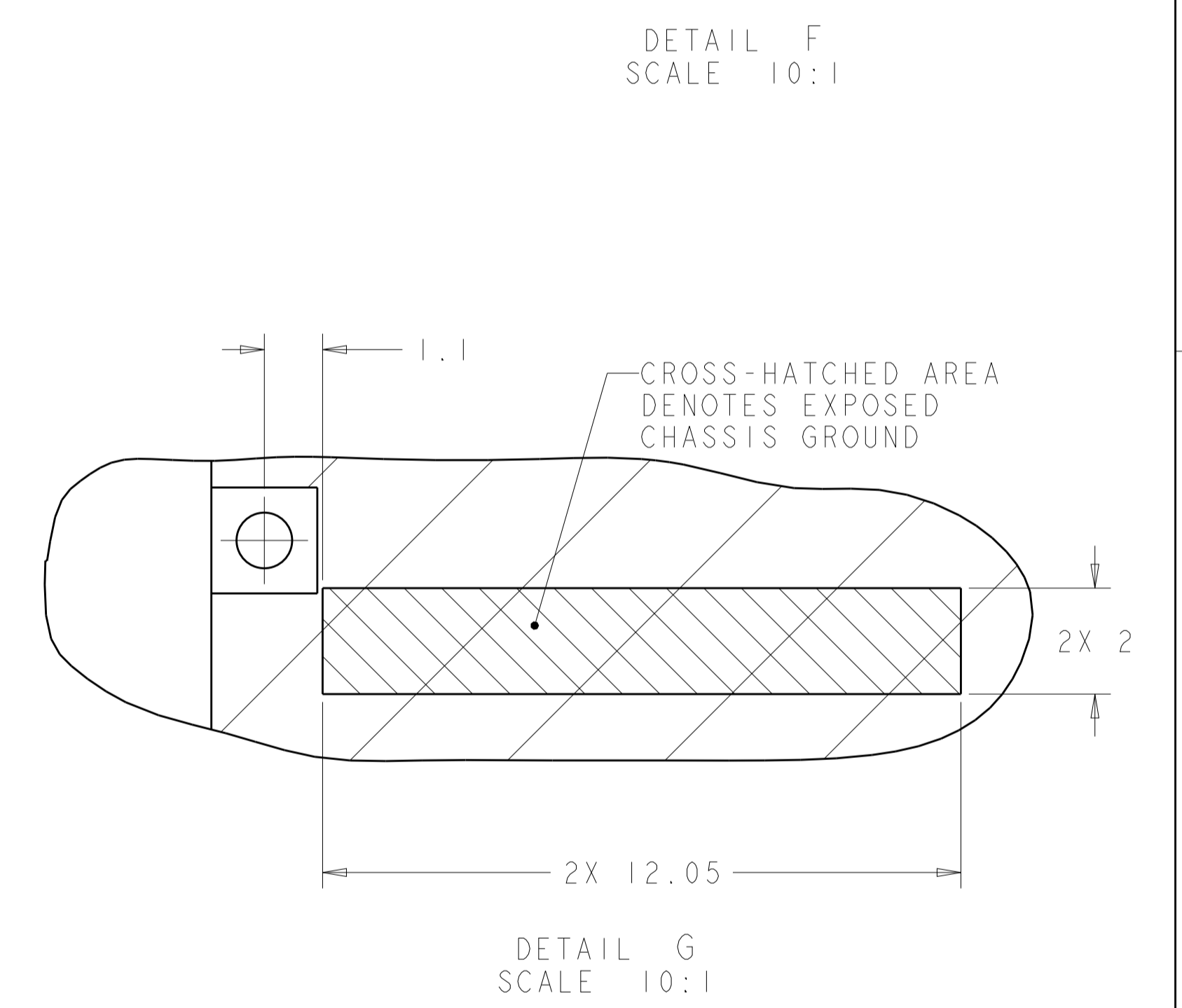
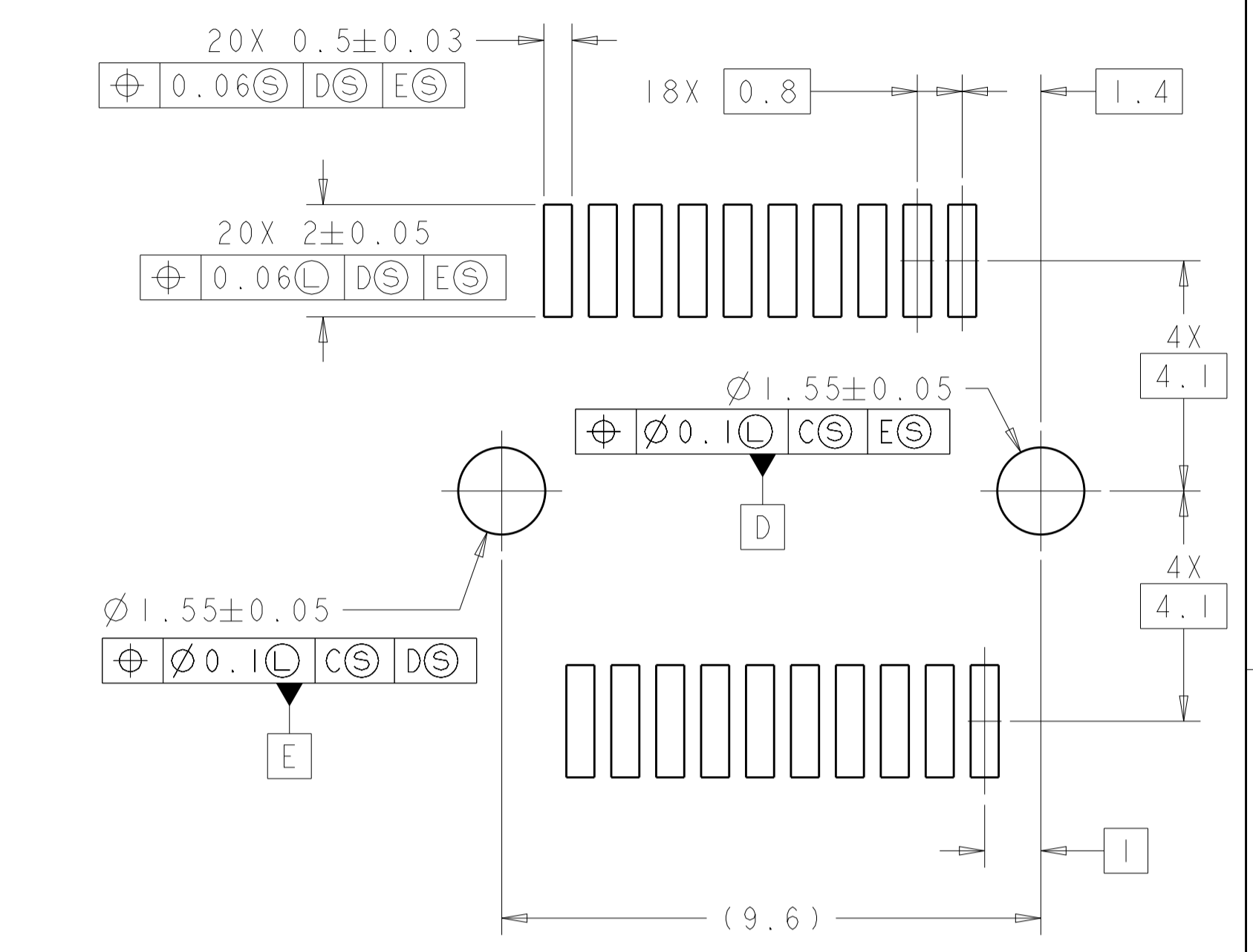
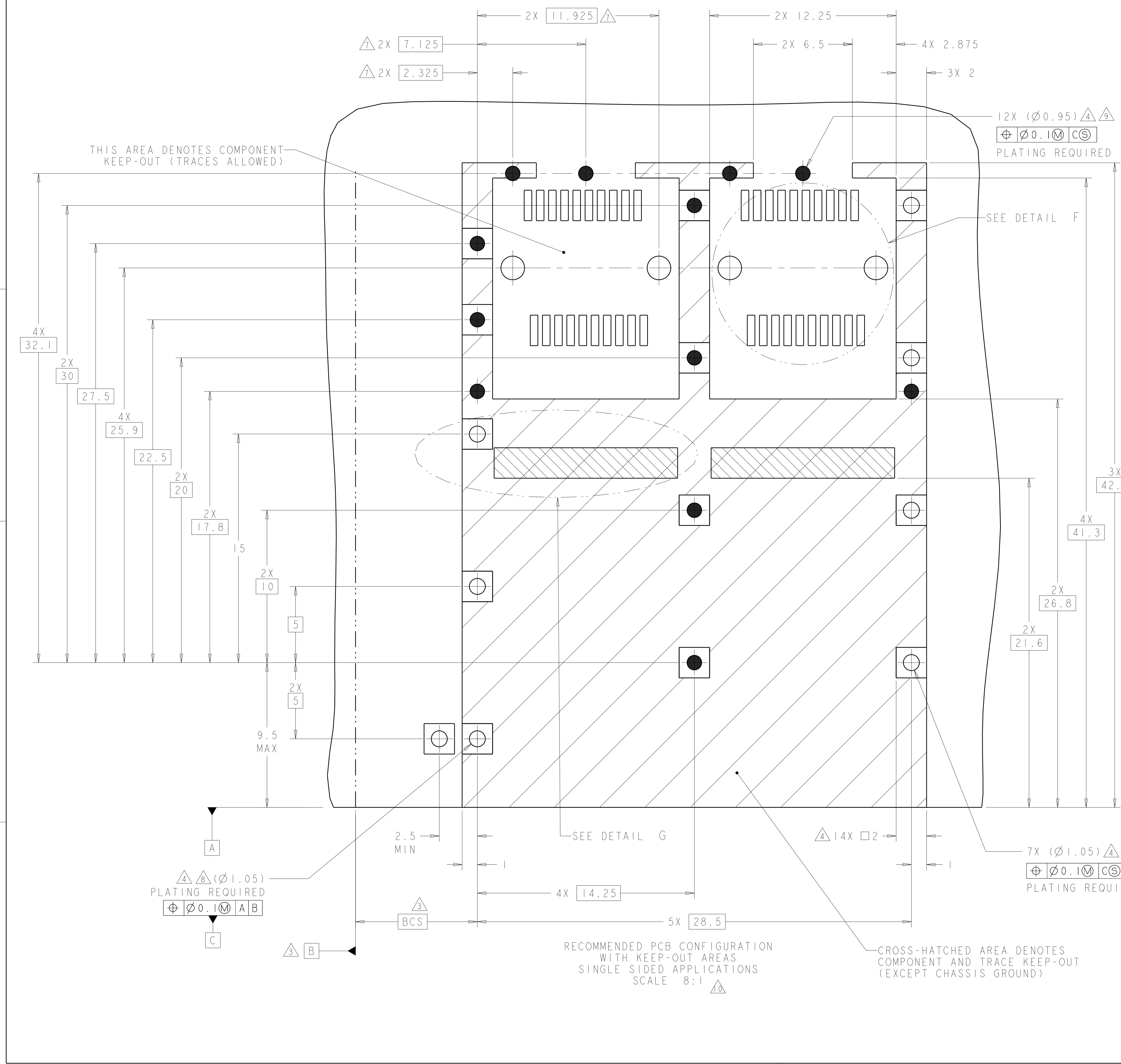
NAME: SFP+ ENHANCED 1X2 CAGE ASSEMBLY, PRESS-FIT, EMI GASKET WITH HEATSINK

PRODUCT SPEC: 108-2364  
 APPLICATION SPEC: 114-13120

SIZE: CAGE CODE DRAWING NO: A100779  
 WEIGHT: -  
 Customer Drawing

SCALE: 5:1 SHEET 1 OF 2 REV A1

LOC	DIST	REV	DATE	BY	APPV
GP	00				



PLATING REQUIRED  
 $\text{Ø}0.10$  A B  
 $\text{Ø}1.05$

RECOMMENDED PCB CONFIGURATION  
 WITH KEEP-OUT AREAS  
 SINGLE SIDED APPLICATIONS  
 SCALE 8:1

CROSS-HATCHED AREA DENOTES  
 COMPONENT AND TRACE KEEP-OUT  
 (EXCEPT CHASSIS GROUND)

THIS DRAWING IS A CONTROLLED DOCUMENT.		OWN: B. MATTHEWS (20CT2011)	TE Connectivity
DIMENSIONS: mm		CHK: M. SCHMITT (120CT2011)	
TOLERANCES UNLESS OTHERWISE SPECIFIED:		APV: M. SCHMITT (120CT2011)	NAME: SFP+ ENHANCED 1X2 CAGE ASSEMBLY, PRESS-FIT, EMI GASKET WITH HEATSINK PRODUCT SPEC: 108-2364 APPLICATION SPEC: 114-13120
0 PLC ±0.13 1 PLC ±0.1 2 PLC ±0.08 3 PLC ±0.05 4 PLC ±0.05 ANGLES ±0.5		SIZE: CAGE CODE DRAWING NO: A100779C=2198224	
MATERIAL FINISH: NI		WEIGHT: -	RESTRICTED TO: -
		Customer Drawing	SCALE: 5:1 SHEET 2 OF 2 REV: A1

## X-ON Electronics

Largest Supplier of Electrical and Electronic Components

*Click to view similar products for [I/O Connectors](#) category:*

*Click to view products by [TE Connectivity](#) manufacturer:*

Other Similar products are found below :

[571763P](#) [58098-0628](#) [D20419-211](#) [D38999/20FJ24PA L/C](#) [D38999/20FJ29SB L/C](#) [D38999/24FG11SN L/C](#) [72.250.1628.2](#) [72.250.2428.2](#)  
[74720-0505](#) [76.350.0729.0](#) [76871-1403](#) [FCN-244F080-G/1](#) [FCN-260A9920](#) [FCN-268D024-G/2F#10X-R10](#) [PCS-E50FA](#) [PCS-XE26LKA](#)  
[PCS-XE26MA+](#) [PCS-XES68MS+](#) [G38A71314B](#) [DX40-50P\(55\)](#) [1571250010](#) [157-22500-3](#) [MS3471L14-19P L/C](#) [1888020-8](#) [91-569786-](#)  
[35H](#) [91-569786-35M](#) [91-644626-35P](#) [SM3100F14S-58S](#) [172501-4002](#) [172501-6002](#) [FCN-260C008-A/L0](#) [FCN-260C024-AL0](#) [FCN-](#)  
[261Z008](#) [FCN-268D008-G/1K](#) [2000314-1](#) [200331-1](#) [2007498-2](#) [PCR-E28LMDAG1+](#) [PCR-E36FC+](#) [PCS-E28FS+](#) [PCS-XE26SLFD+](#) [PCS-](#)  
[XE26SLFDT+](#) [G38A71214B](#) [HDRA-E68W1LFDTC-SL+](#) [HDR-E14MSG1+](#) [R88A-CNK81S](#) [CRT1-ATT02](#) [54182-0605](#) [U90B2054081210](#)  
[UE86K842720321](#)