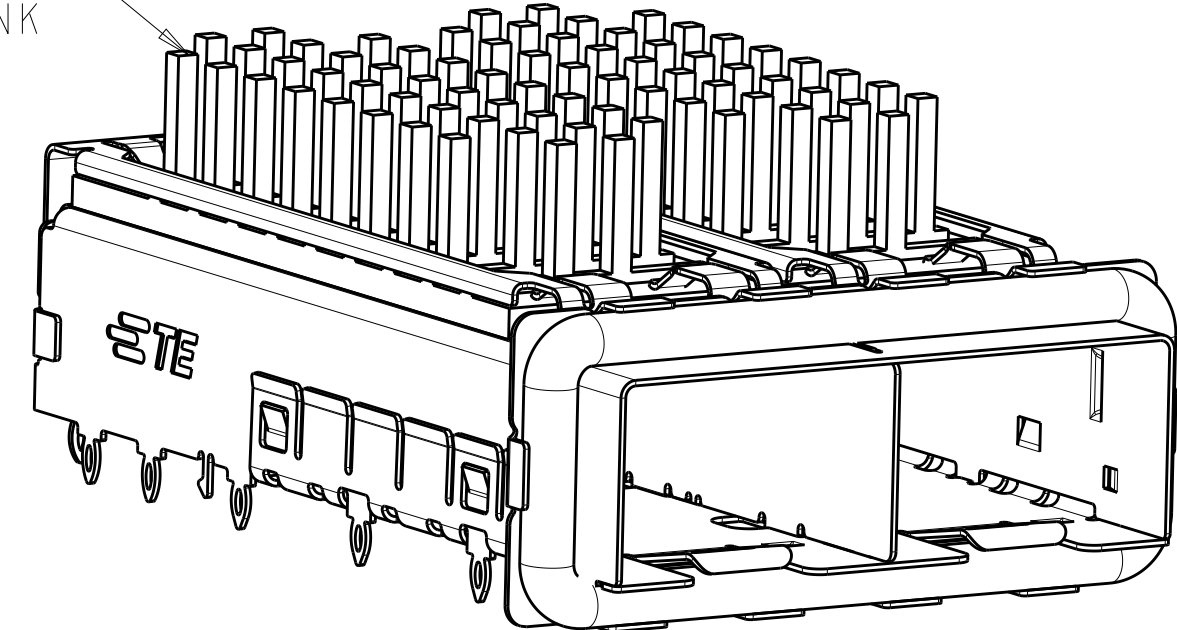


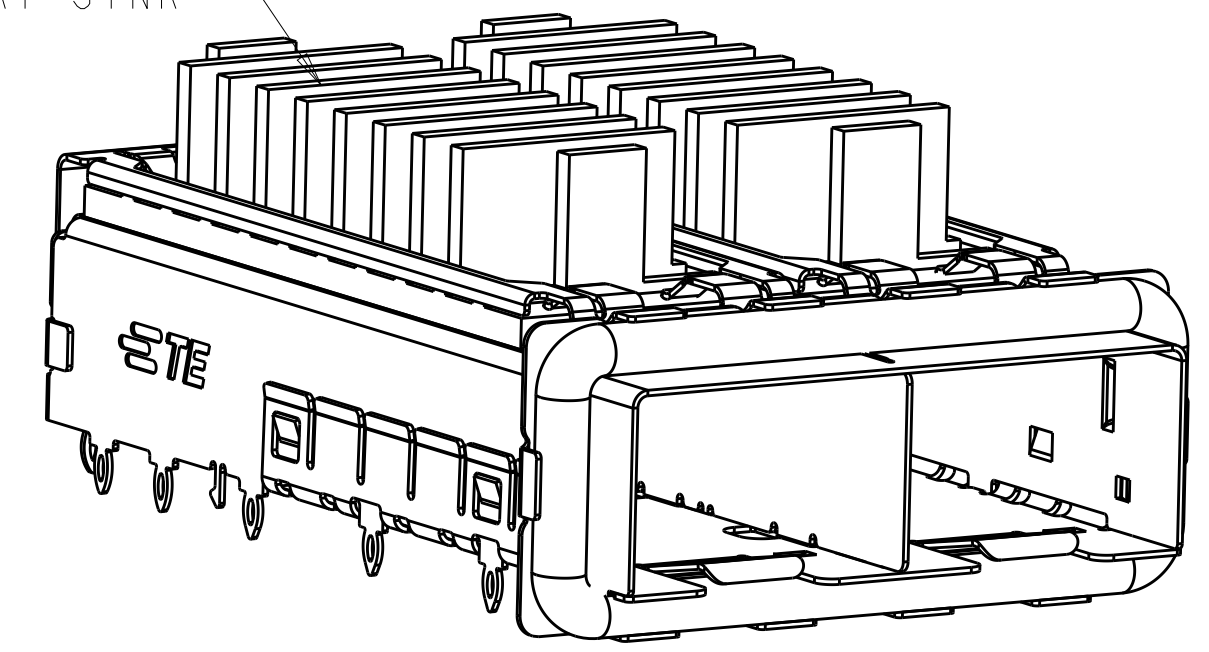
| LOC | DIST | REVISIONS | | | | |
|-----|------|-----------|-----------------------------|-----------|-----|------|
| GP | 00 | REV | DESCRIPTION | DATE | DWN | APVD |
| A | | | RELEASED PER ECO-12-013192 | 05SEP2012 | BMM | MRS |
| A1 | | | RELEASED PER ECO-13-0014600 | 12OCT2013 | PP | SH |

PIN TYPE
HEAT SINK



2198224-1,2,3,4
FINISHED ASSEMBLY

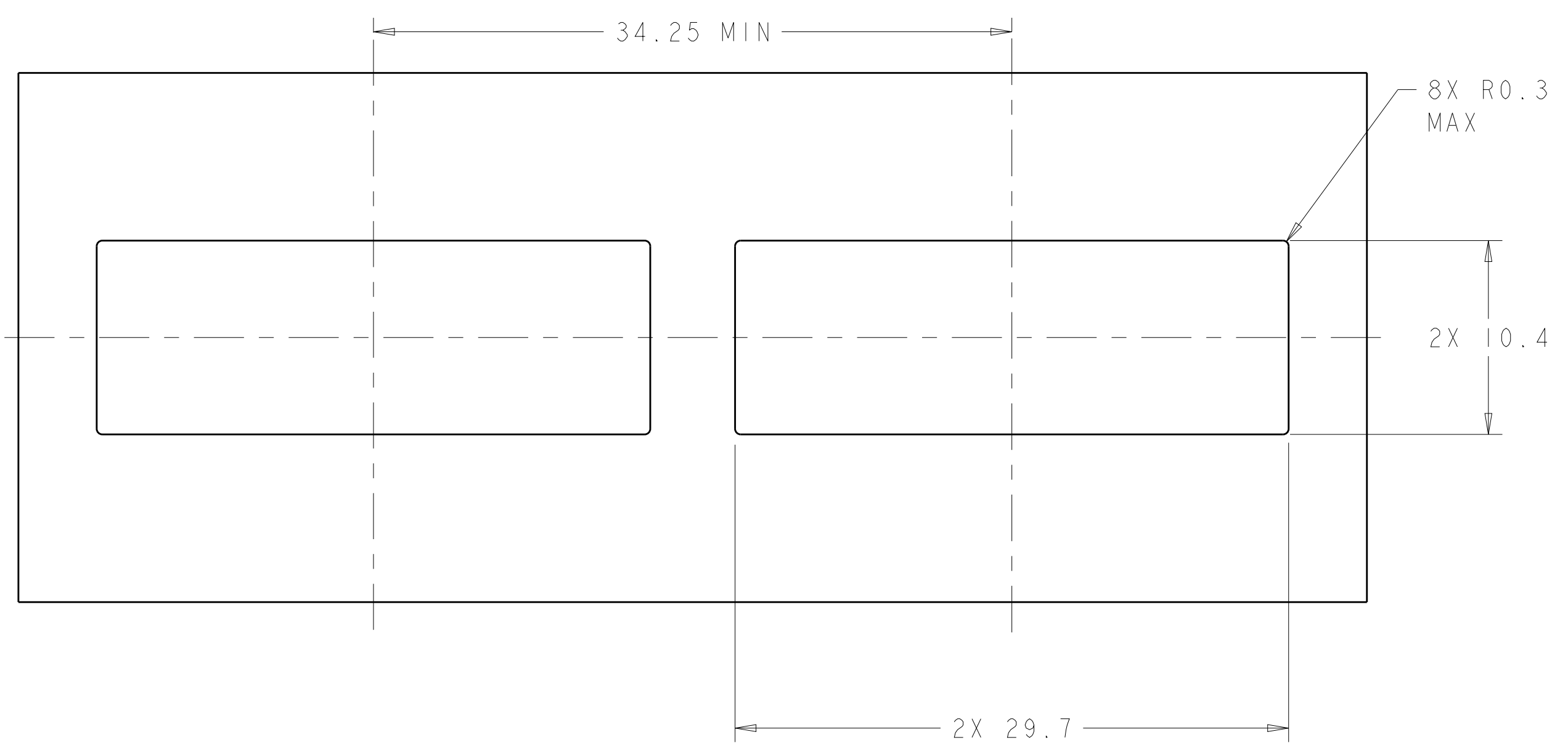
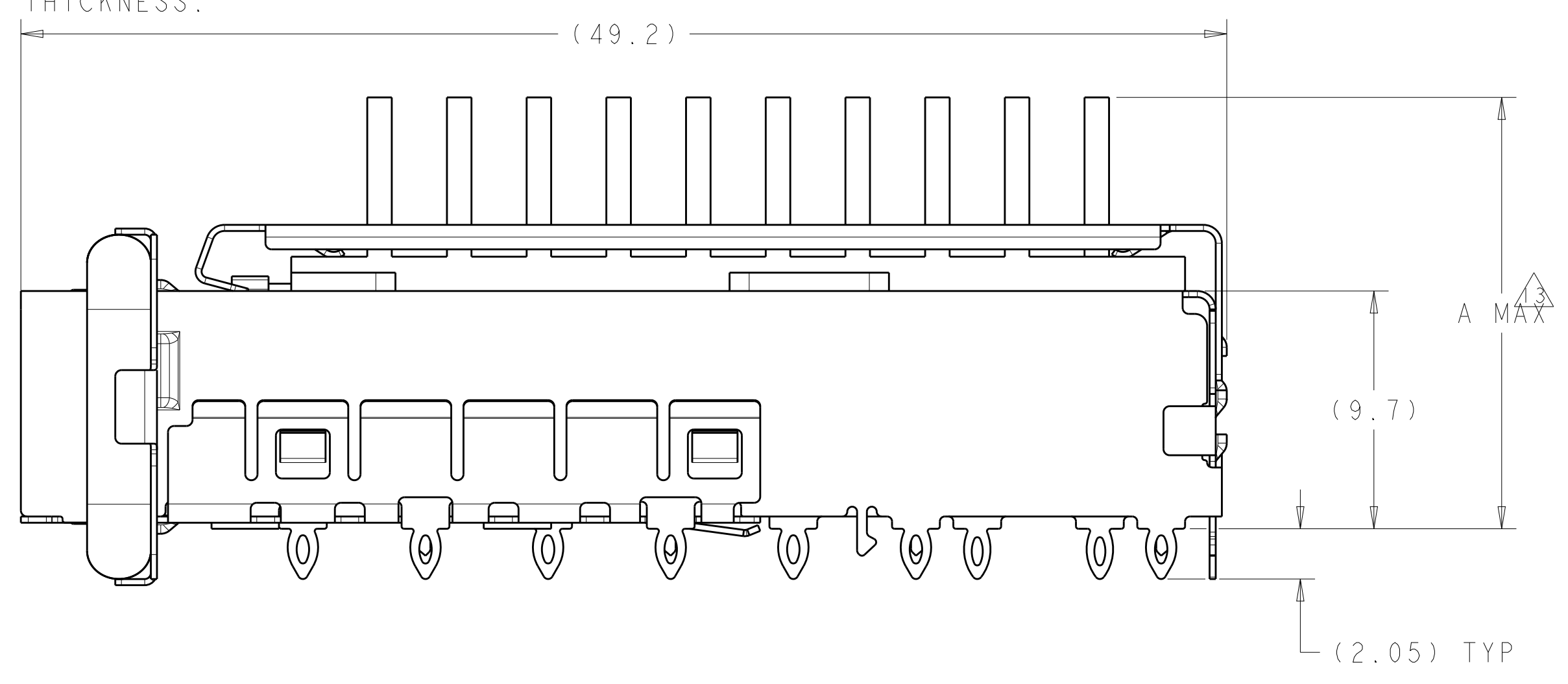
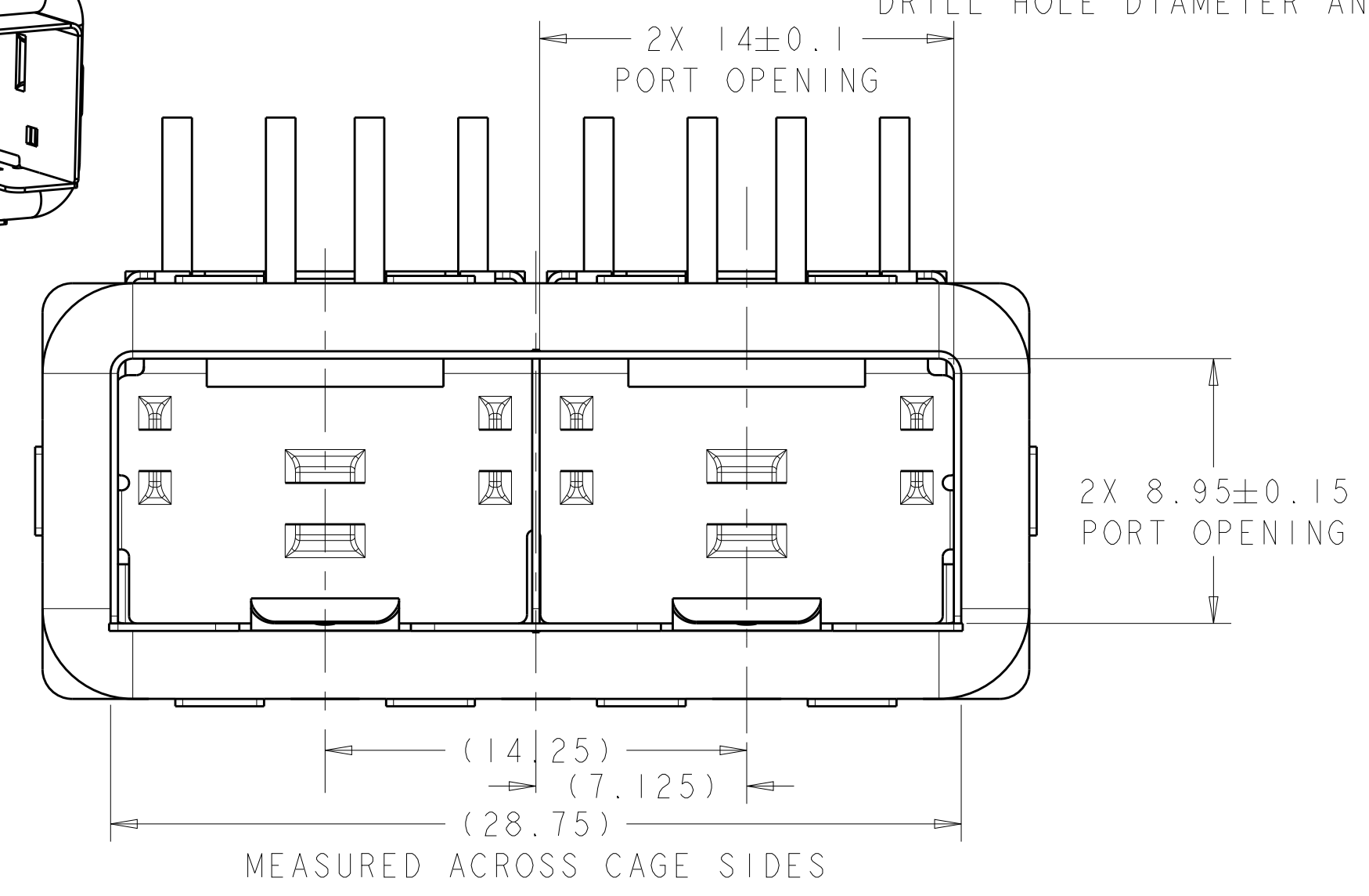
FIN TYPE
HEAT SINK



2198224-5,6,7,8
FINISHED ASSEMBLY

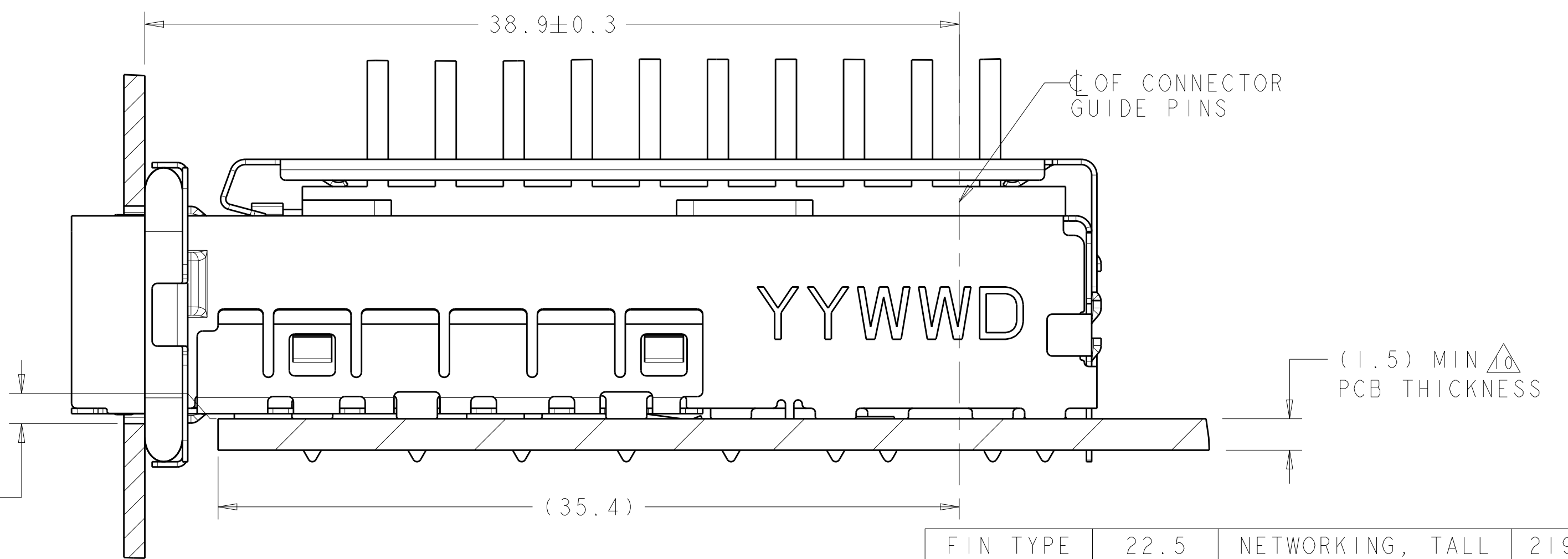
- 1 MATERIAL:
CAGE ASSEMBLY: 0.25mm THICK NICKEL SILVER ALLOY
GASKET RETENTION PLATE: STAINLESS STEEL
EMI GASKET: PLATED FILLED SILICONE
HEATHSINK CLIP: STAINLESS STEEL
HEATSINK: ALUMINUM
- 2 FINISH:
HEATSINK: ELECTROLESS NICKEL
HEATSINK CLIP: PASSIVATE
- 3 DATUM AND BASIC DIMENSIONS ESTABLISHED BY CUSTOMER.
- 4 PADS AND VIAS CHASSIS GROUND.
- 5. MATES WITH SFP MSA COMPLIANT RECIEVERS.
- 6. INTERPRETATION OF DATUM REFERENCE FRAME IN ACCORDANCE WITH SECT 4.4.1.1 OR ASME Y14.5M-1994.
- 7 HOLE PATTERN REPEATS FOR EACH PORT, SPACING BETWEEN PORTS IS 14.25mm.
- 8 REFERENCE APPLICATION SPEC. 114-13120, HOLE A, FOR RECOMMENDED DRILL HOLE DIAMETER AND PLATING THICKNESS.
- 9 REFERENCE APPLICATION SPEC. 114-13120, HOLE B, FOR RECOMMENDED DRILL HOLE DIAMETER AND PLATING THICKNESS.

- 10 MINIMUM PC BOARD THICKNESS:
SINGLE SIDED: 1.5mm
- 11. CERTAIN MATING TRANCEIVERS MAY REQUIRE ADDITIONAL PCB THICKNESS THAT WOULD NEED TO BE DETERMINED BY THE CUSTOMER.
- 12. PRODUCT COMPLIES WITH SPECIFICATION SFF-8433 IMPROVED PLUGGABLE FORM FACTOR FOR SFP+ GANGED CAGES.
- 13 DIMENSION APPLIES PRIOR TO INSERTION OF SFP MODULE.



RECOMMENDED BEZEL CUT-OUT
SINGLE SIDED APPLICATIONS
SCALE 4:1

0.23^{+0.10}_{-0.14}
TOP OF PCB
TO INSIDE OF
BEZEL CUTOUT



2198224
MOUNTED ON PC BOARD
SHOWN THRU RECOMMENDED BEZEL

| | | | |
|-----------|-------|-------------------|-------------|
| FIN TYPE | 22.5 | NETWORKING, TALL | 2198224-8 |
| FIN TYPE | 18.1 | NETWORKING, SHORT | 2198224-7 |
| FIN TYPE | 15.5 | SAN | 2198224-6 |
| FIN TYPE | 13.2 | PCI | 2198224-5 |
| PIN TYPE | 22.5 | NETWORKING, TALL | 2198224-4 |
| PIN TYPE | 18.1 | NETWORKING, SHORT | 2198224-3 |
| PIN TYPE | 15.5 | SAN | 2198224-2 |
| PIN TYPE | 13.2 | PCI | 2198224-1 |
| HEAT SINK | A MAX | APPLICATION | PART NUMBER |

THIS DRAWING IS A CONTROLLED DOCUMENT.

DIMENSIONS: mm

TOLERANCES UNLESS OTHERWISE SPECIFIED:

| | |
|--------|-------|
| 0 PLC | ±0.13 |
| 1 PLC | ±0.1 |
| 2 PLC | ±0.08 |
| 3 PLC | ±0.05 |
| 4 PLC | ±0.05 |
| ANGLES | ±0.5 |

MATERIAL: FINISH:

Customer Drawing

DWN: B. MATTHEWS (12OCT2011)
 CHK: M. MATTHEWS (12OCT2011)
 APVD: M. SCHMITT (12OCT2011)

NAME: SFP+ ENHANCED 1X2 CAGE ASSEMBLY, PRESS-FIT, EMI GASKET WITH HEATSINK

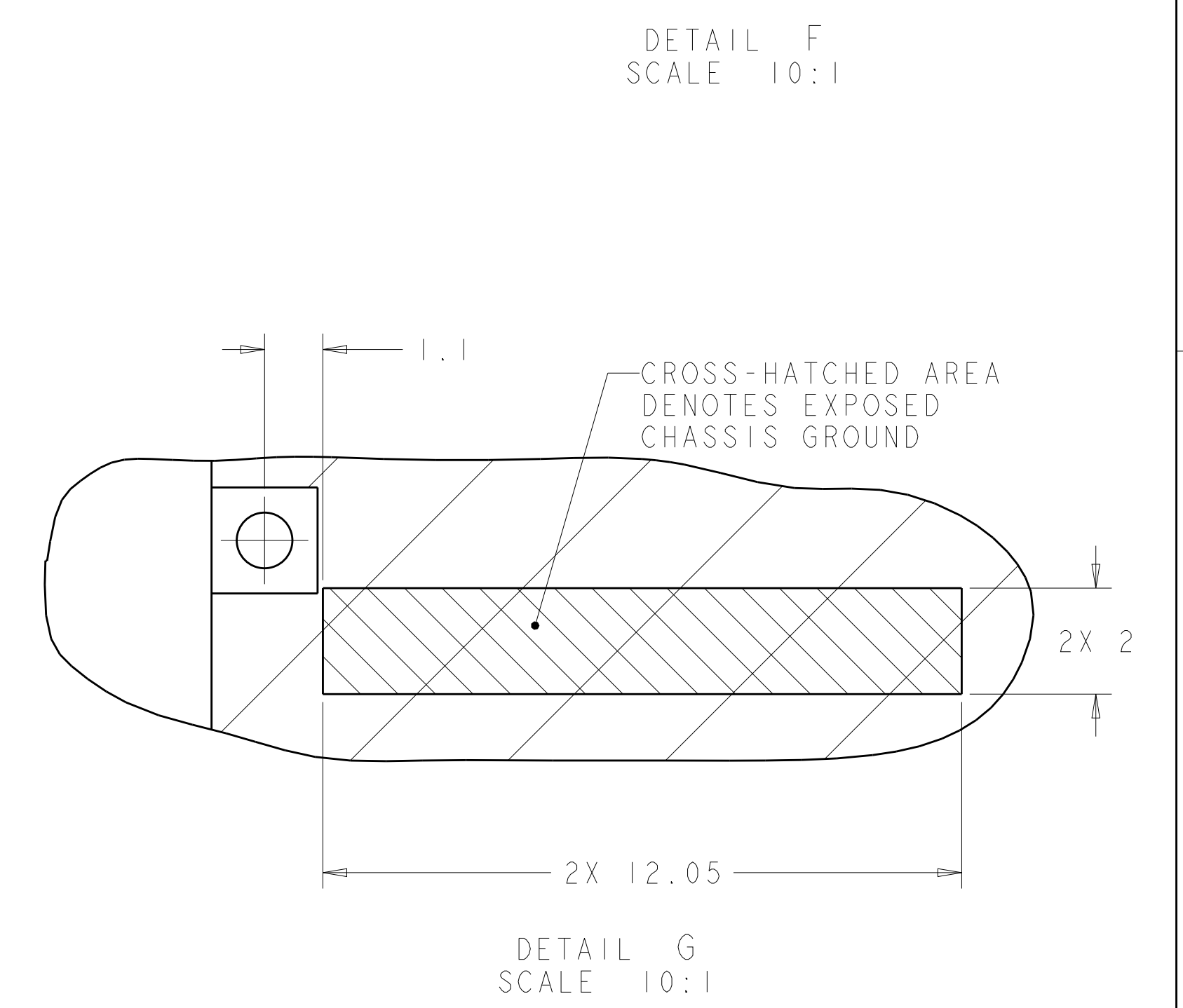
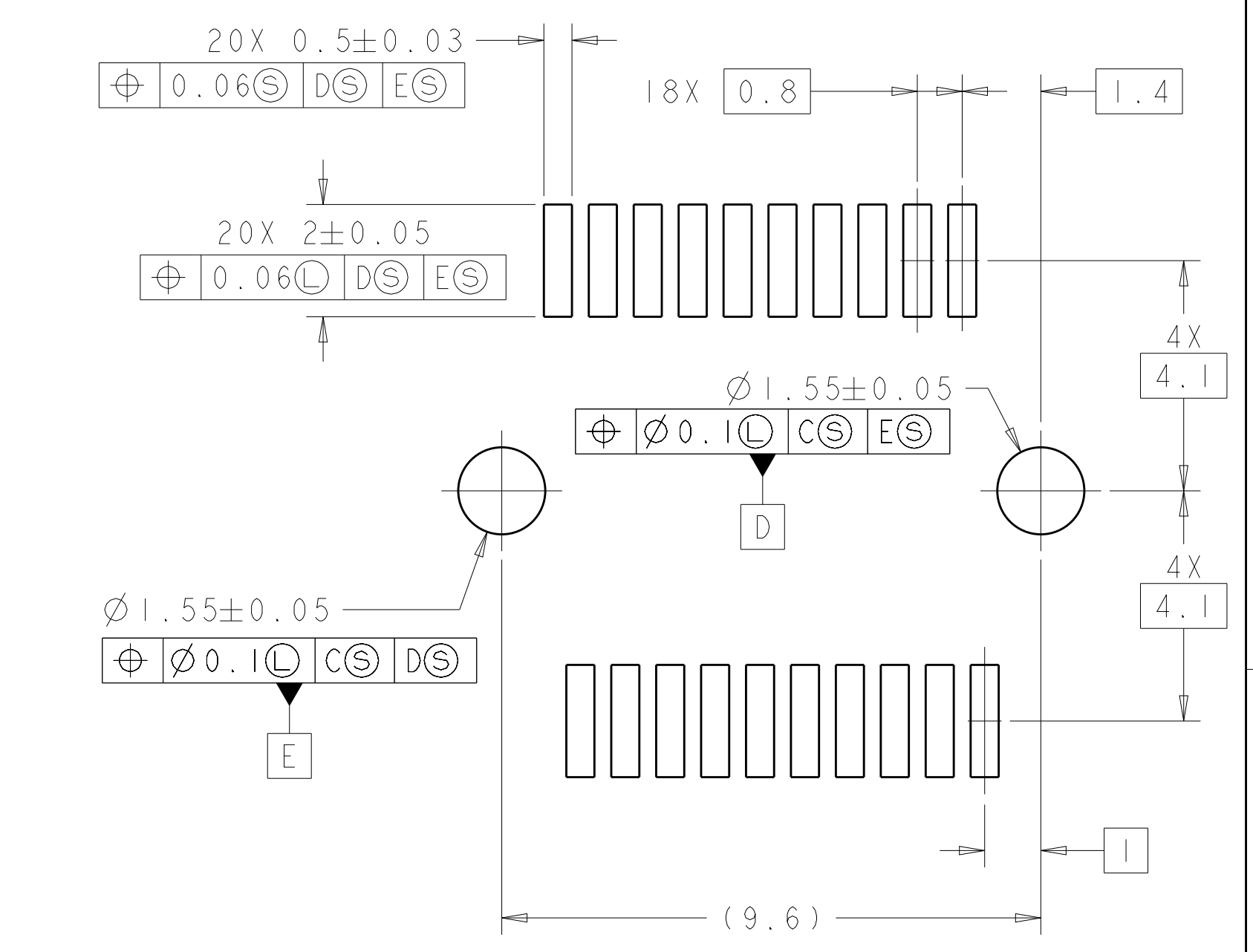
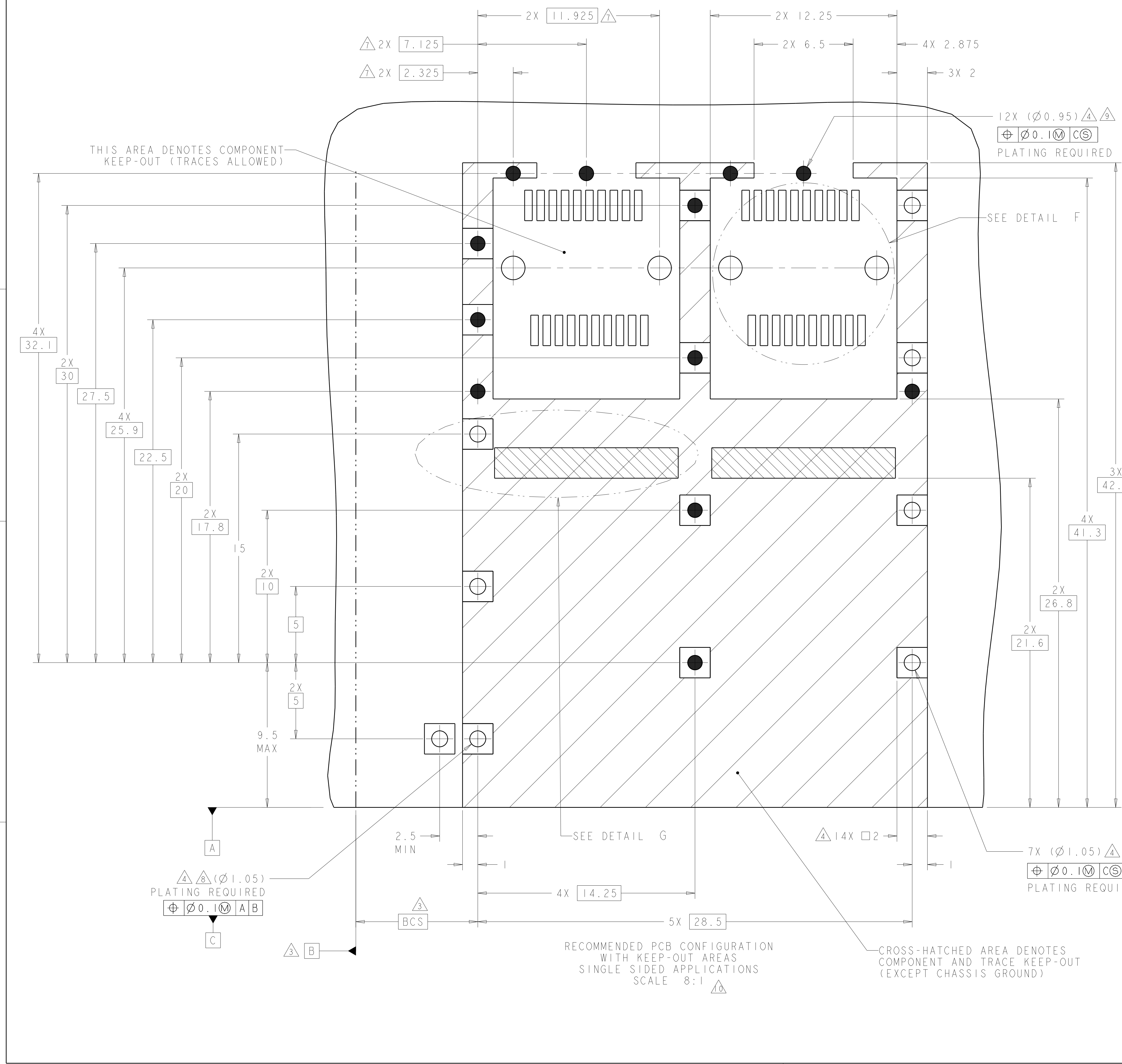
PRODUCT SPEC: 108-2364
 APPLICATION SPEC: 114-13120

SIZE: CAGE CODE DRAWING NO: A100779
 DRAWING NO: C=2198224

RESTRICTED TO: -

SCALE: 5:1 SHEET: 1 OF 2 REV: A1

| LOC | DIST | REV | DATE | BY | APPV |
|-----|------|-----|------|----|------|
| GP | 00 | | | | |



THIS AREA DENOTES COMPONENT KEEP-OUT (TRACES ALLOWED)

12X (Ø0.95) PLATING REQUIRED

SEE DETAIL F

DETAIL F SCALE 10:1

DETAIL G SCALE 10:1

RECOMMENDED PCB CONFIGURATION WITH KEEP-OUT AREAS SINGLE SIDED APPLICATIONS SCALE 8:1

CROSS-HATCHED AREA DENOTES COMPONENT AND TRACE KEEP-OUT (EXCEPT CHASSIS GROUND)

| | | | |
|--|--------|------------------------------|--|
| THIS DRAWING IS A CONTROLLED DOCUMENT. | | OWN: B. MATTHEWS (20CT2011) | TE Connectivity |
| DIMENSIONS: mm | | CHK: M. SCHMITT (120CT2011) | |
| TOLERANCES UNLESS OTHERWISE SPECIFIED: | | APVD: M. SCHMITT (120CT2011) | NAME: SFP+ ENHANCED 1X2 CAGE ASSEMBLY, PRESS-FIT, EMI GASKET WITH HEATSINK |
| 0 PLC | ±0.13 | PRODUCT SPEC | 108-2364 |
| 1 PLC | ±0.1 | APPLICATION SPEC | 114-13120 |
| 2 PLC | ±0.08 | WEIGHT | - |
| 3 PLC | ±0.05 | SCALE | 5:1 |
| 4 PLC | ±0.05 | SHEET | 2 OF 2 |
| ANGLES | ±0.5 | REV | A1 |
| MATERIAL | FINISH | Customer Drawing | |

X-ON Electronics

Largest Supplier of Electrical and Electronic Components

Click to view similar products for [I/O Connectors](#) category:

Click to view products by [TE Connectivity](#) manufacturer:

Other Similar products are found below :

[571763P](#) [58098-0628](#) [D20419-211](#) [D38999/20FJ24PA L/C](#) [D38999/20FJ29SB L/C](#) [D38999/24FG11SN L/C](#) [72.250.1628.2](#) [72.250.2428.2](#)
[74720-0505](#) [76.350.0729.0](#) [76871-1403](#) [FCN-244F080-G/1](#) [FCN-260A9920](#) [FCN-268D024-G/2F#10X-R10](#) [PCS-E50FA](#) [PCS-XE26LKA](#)
[PCS-XE26MA+](#) [PCS-XES68MS+](#) [G38A71314B](#) [DX40-50P\(55\)](#) [1571250010](#) [157-22500-3](#) [MS3471L14-19P L/C](#) [1888020-8](#) [91-569786-](#)
[35H](#) [91-569786-35M](#) [91-644626-35P](#) [SM3100F14S-58S](#) [172501-4002](#) [172501-6002](#) [FCN-260C008-A/L0](#) [FCN-260C024-AL0](#) [FCN-](#)
[261Z008](#) [FCN-268D008-G/1K](#) [2000314-1](#) [200331-1](#) [2007498-2](#) [PCR-E28LMDAG1+](#) [PCR-E36FC+](#) [PCS-E28FS+](#) [PCS-XE26SLFD+](#) [PCS-](#)
[XE26SLFDT+](#) [G38A71214B](#) [HDRA-E68W1LFDTC-SL+](#) [HDR-E14MSG1+](#) [R88A-CNK81S](#) [CRT1-ATT02](#) [54182-0605](#) [U90B2054081210](#)
[UE86K842720321](#)