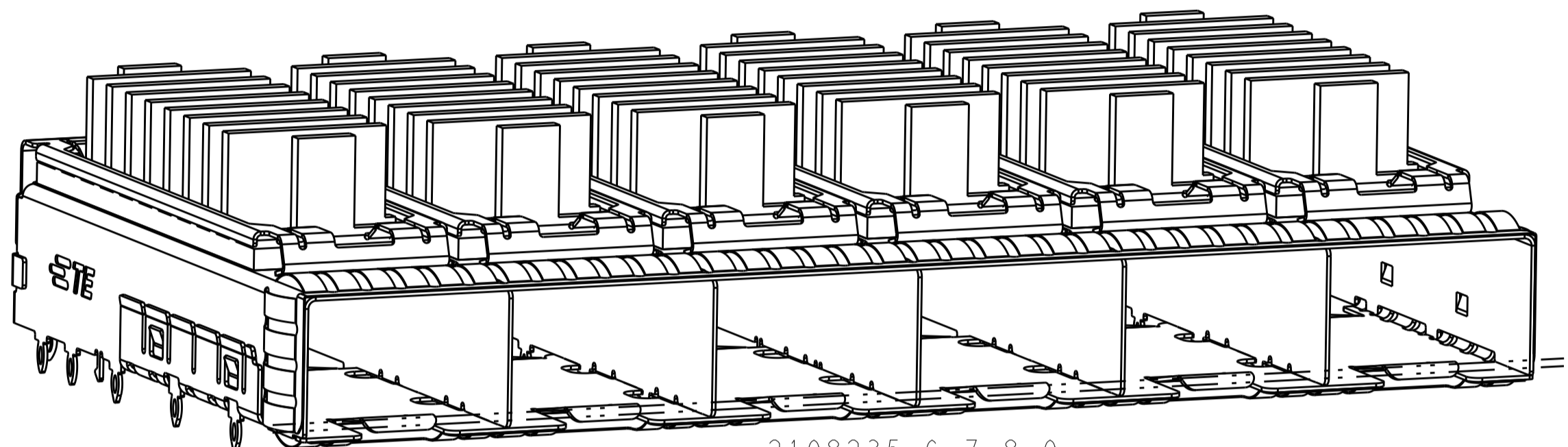
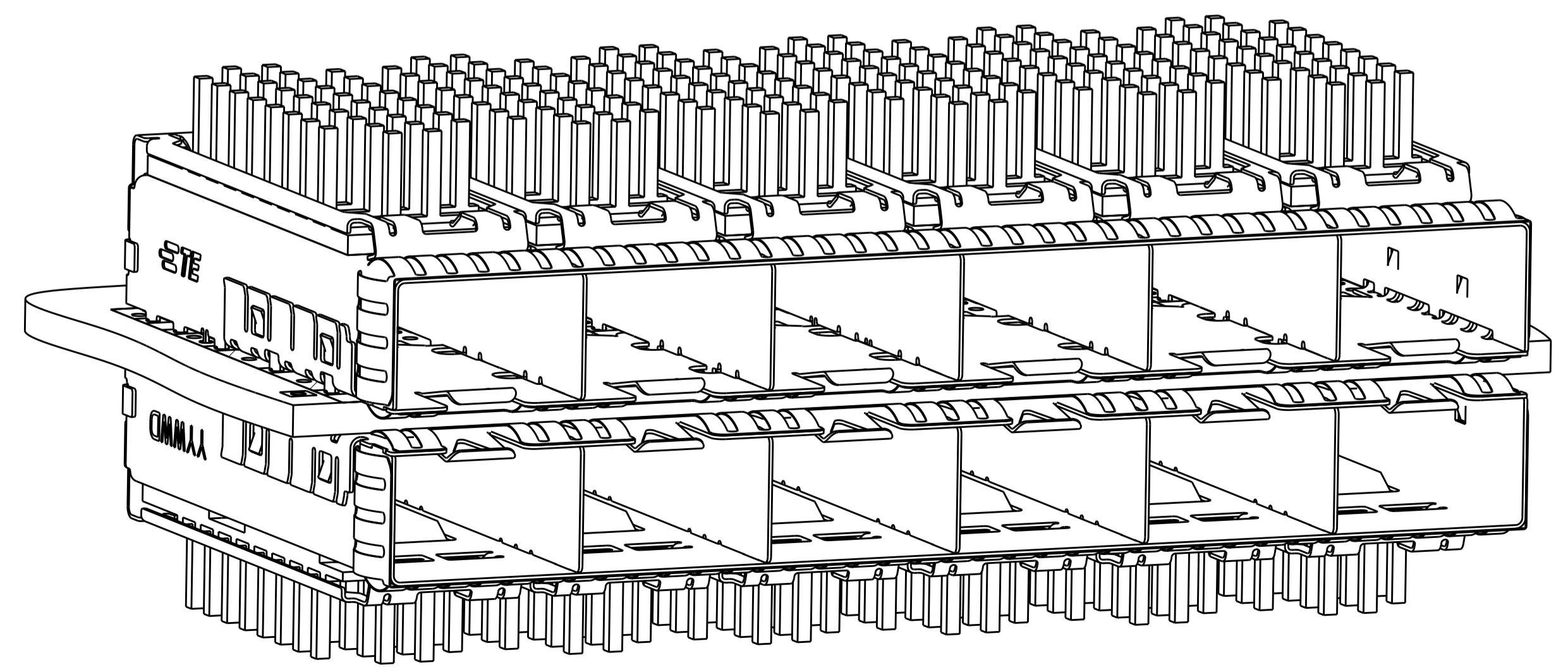
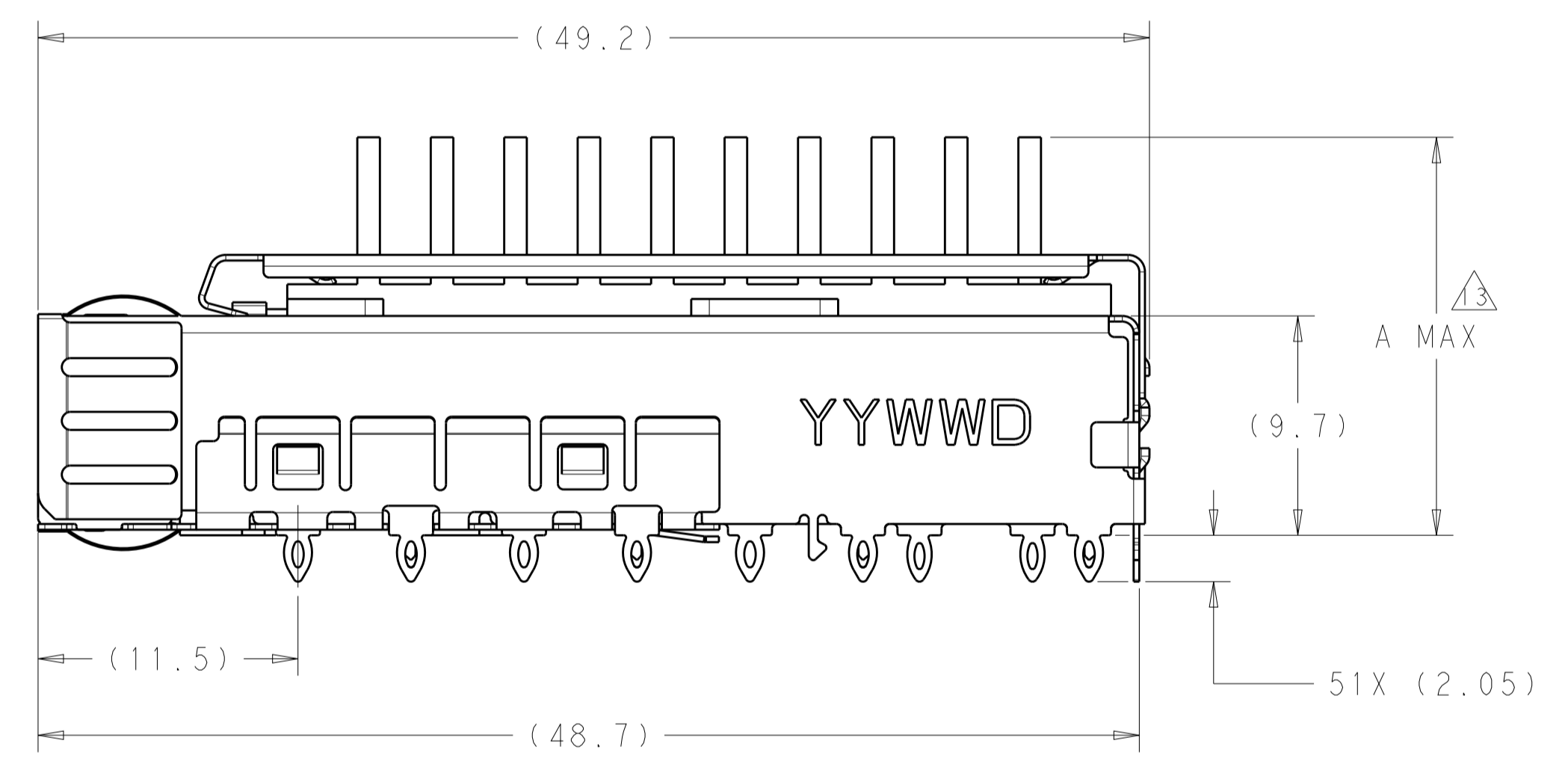
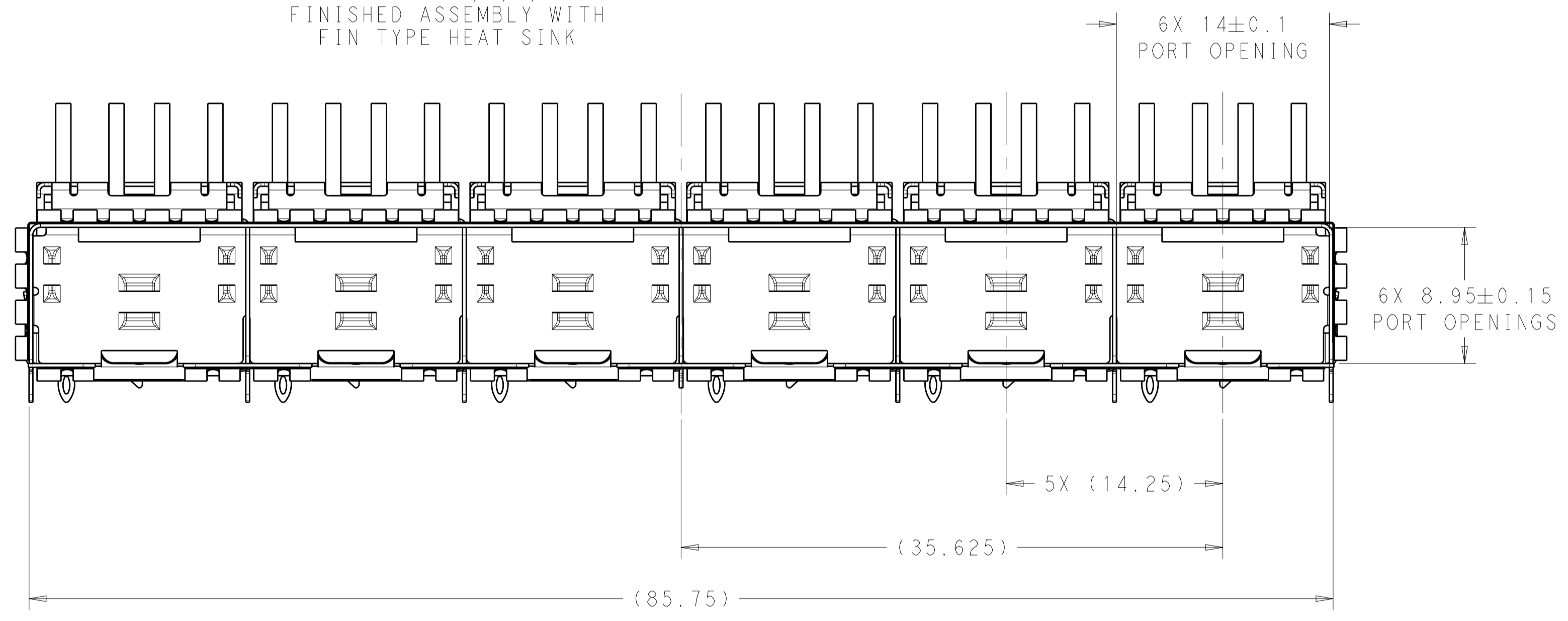


2198235-1,2,3,4,5
FINISHED ASSEMBLY WITH
PIN TYPE HEAT SINK



2198235-6,7,8,9
FINISHED ASSEMBLY WITH
FIN TYPE HEAT SINK



2198235
MOUNTED BELLY TO BELLY ON PCB
SCALE 3:1

- △ MATERIAL:
CAGE ASSEMBLY: 0.25mm THICK NICKEL SILVER ALLOY.
HEATSINK CLIP: STAINLESS STEEL
HEATSINK: ALUMINUM
- △ FINISH:
EMI SPRINGS: MINIMUM OF 0.8um TIN PLATE OVER A MINIMUM OF 0.8um NICKEL UNDERPLATE.
NON-PLATED EDGES PERMISSIBLE.
HEATSINK CLIP: PASSIVATE
HEATSINK: ELECTROLESS NICKEL
- 3. MATES WITH SFP MSA COMPLIANT TRANSCEIVERS.
- △ PADS AND VIAS CHASSIS GROUND.
- 5. INTERPRETATION OF DATUM REFERENCE FRAME IN ACCORDANCE WITH SECT 4.4.1.1 OF ASME Y14.5M-1994.
- △ MINIMUM PC BOARD THICKNESS:
SINGLE SIDED = 1.50mm
DOUBLE SIDED = 2.25mm
- △ HOLE PATTERN REPEATS FOR EACH PORT. SPACING BETWEEN PORTS IS 14.25mm.
- △ DATUM AND BASIC DIMENSION ESTABLISHED BY CUSTOMER.
- △ REFERENCE APPLICATION SPEC. 114-13120, HOLE A, FOR RECOMMENDED DRILL HOLE DIAMETER AND PLATING THICKNESS.
- △ REFERENCE APPLICATION SPEC. 114-13120, HOLE B, FOR RECOMMENDED DRILL HOLE DIAMETER AND PLATING THICKNESS.
- 11. CERTAIN MATING TRANCEIVERS MAY REQUIRE ADDITIONAL PCB THICKNESS THAT WOULD BE DETERMINED BY THE CUSTOMER.
- 12. PRODUCT COMPLIES WITH SPECIFICATION SFF-8433 IMPROVED PLUGGABLE FORM FACTOR FOR SFP+ GANGED CAGES.
- △ DIMENSION APPLIES PRIOR TO INSERTION OF SFP MODULE

LOC	DIST	REVISIONS				
GP	00	REV	DESCRIPTION	DATE	OWN	APVD
		A	RELEASED PER ECO-12-013192	06NOV2012	BMM	MRS
		B	RELEASED PER ECO-13-000564	30JAN2013	BMM	MRS
		B1	RELEASED PER ECO-13-014600	20SEP2013	PP	SH
		B2	RELEASED PER ECO-15-006578	20APR2015	PP	SH

FIN TYPE	W/O INSULATING TAPE	22.5	NETWORKING, TALL	2198235-9
FIN TYPE	W/O INSULATING TAPE	18.1	NETWORKING, SHORT	2198235-8
FIN TYPE	W/O INSULATING TAPE	15.5	SAN	2198235-7
FIN TYPE	W/O INSULATING TAPE	13.2	PCI	2198235-6
PIN TYPE	W/ INSULATING TAPE	22.5	NETWORKING, TALL	2198235-5
PIN TYPE	W/O INSULATING TAPE	22.5	NETWORKING, TALL	2198235-4
PIN TYPE	W/O INSULATING TAPE	18.1	NETWORKING, SHORT	2198235-3
PIN TYPE	W/O INSULATING TAPE	15.5	SAN	2198235-2
PIN TYPE	W/O INSULATING TAPE	13.2	PCI	2198235-1
HEAT SINK	DESCRIPTION	A MAX	APPLICATION	PART NUMBER

THIS DRAWING IS A CONTROLLED DOCUMENT.

OWN: B. MATTHEWS 15NOV2011
CHK: M. SCHMITT 15NOV2011
APVD: M. SCHMITT 15NOV2011

DIMENSIONS: mm

TOLERANCES UNLESS OTHERWISE SPECIFIED:
0 PLC ±0.1
1 PLC ±0.1
2 PLC ±0.1
3 PLC ±0.1
4 PLC ±0.1
ANGLES ±0.1°

MATERIAL: △
FINISH: △

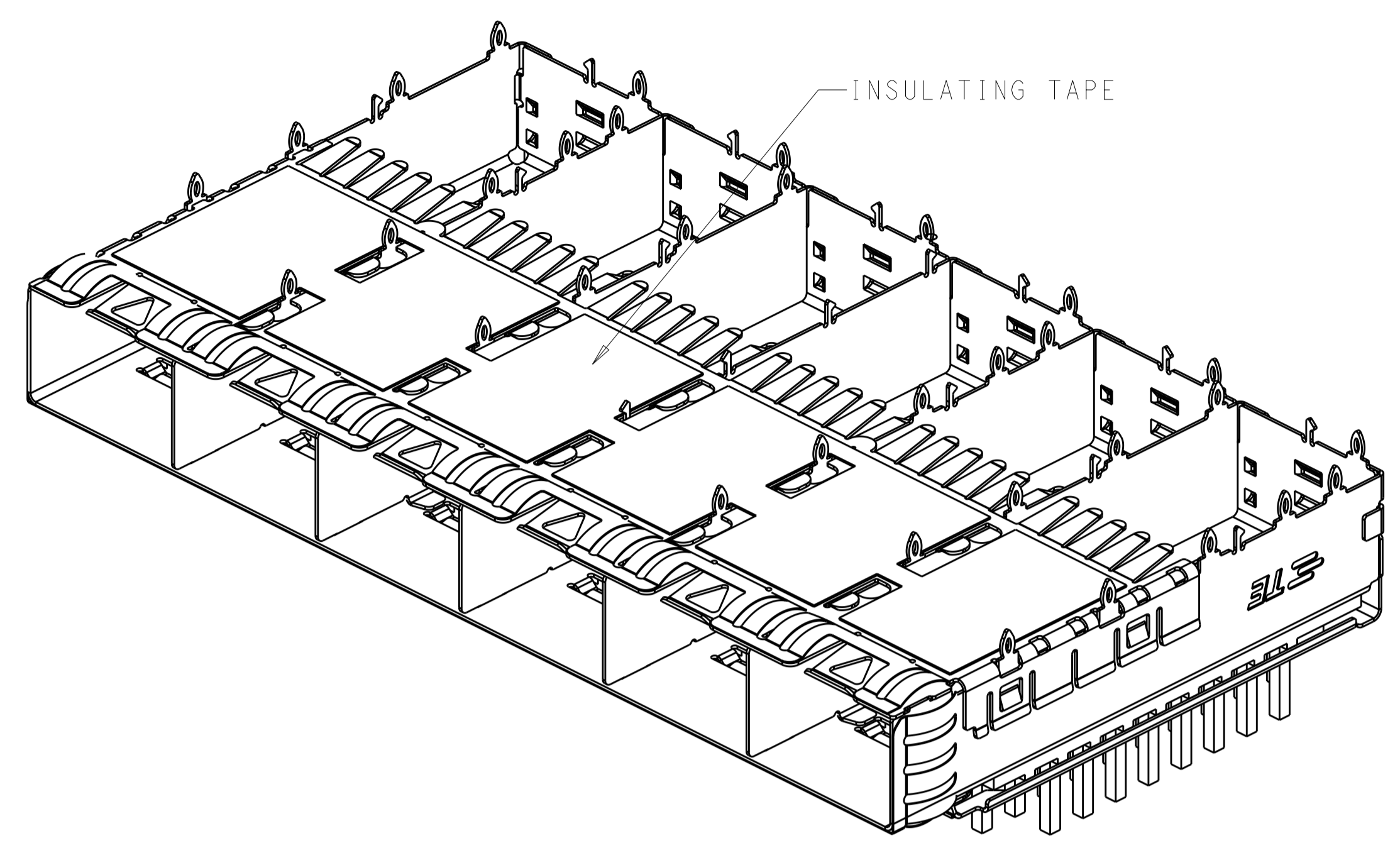
PRODUCT SPEC: 108-2364
APPLICATION SPEC: 114-13120
WEIGHT: -

Customer Drawing

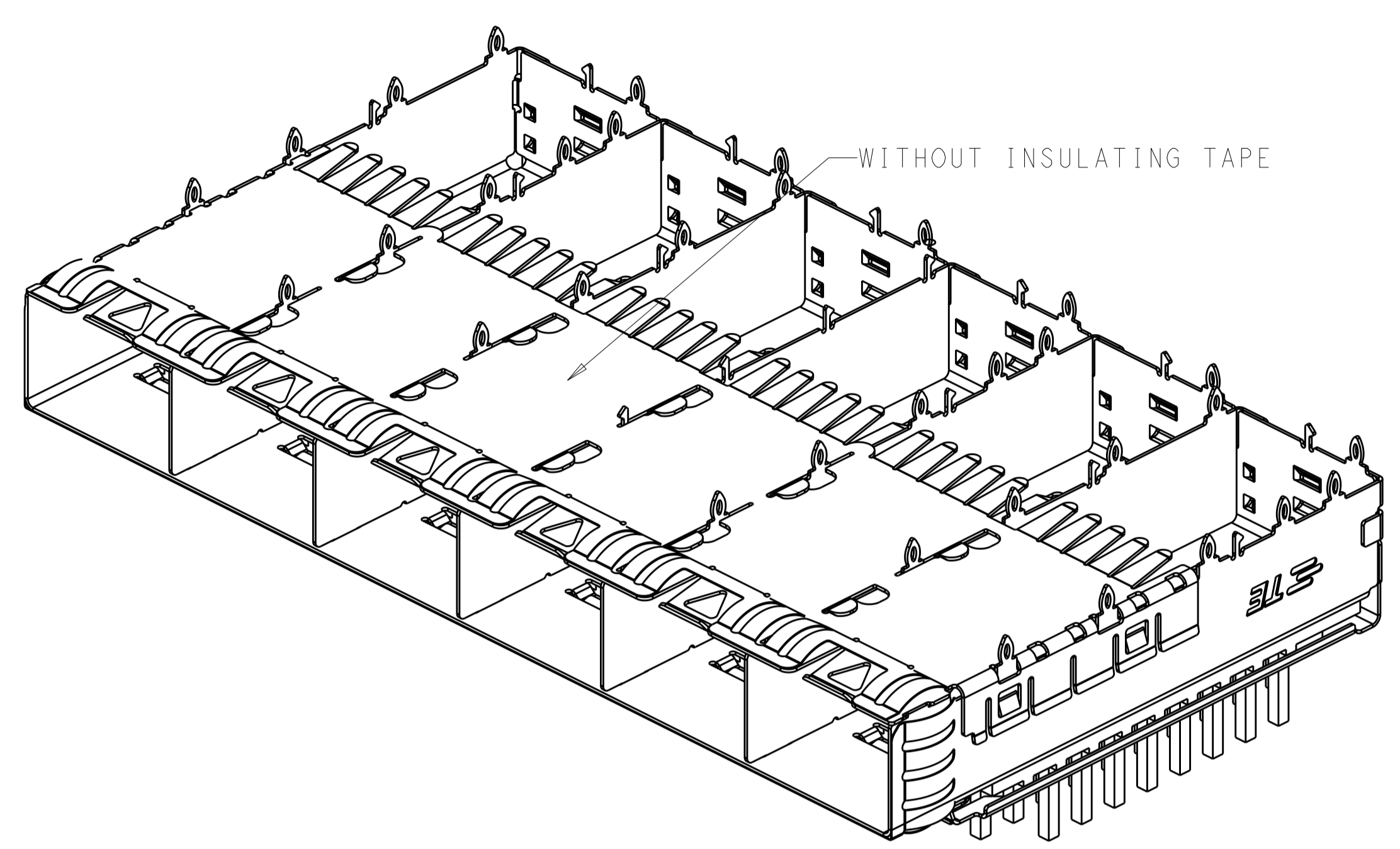
NAME: SFP+ ENHANCED 1X6 CAGE ASSEMBLY, PRESS FIT, EXTERNAL EMI SPRINGS WITH HEATSINK
SIZE: CAGE CODE DRAWING NO: A100779
SCALE: 4:1 SHEET 1 OF 7 REV: B2

TE Connectivity

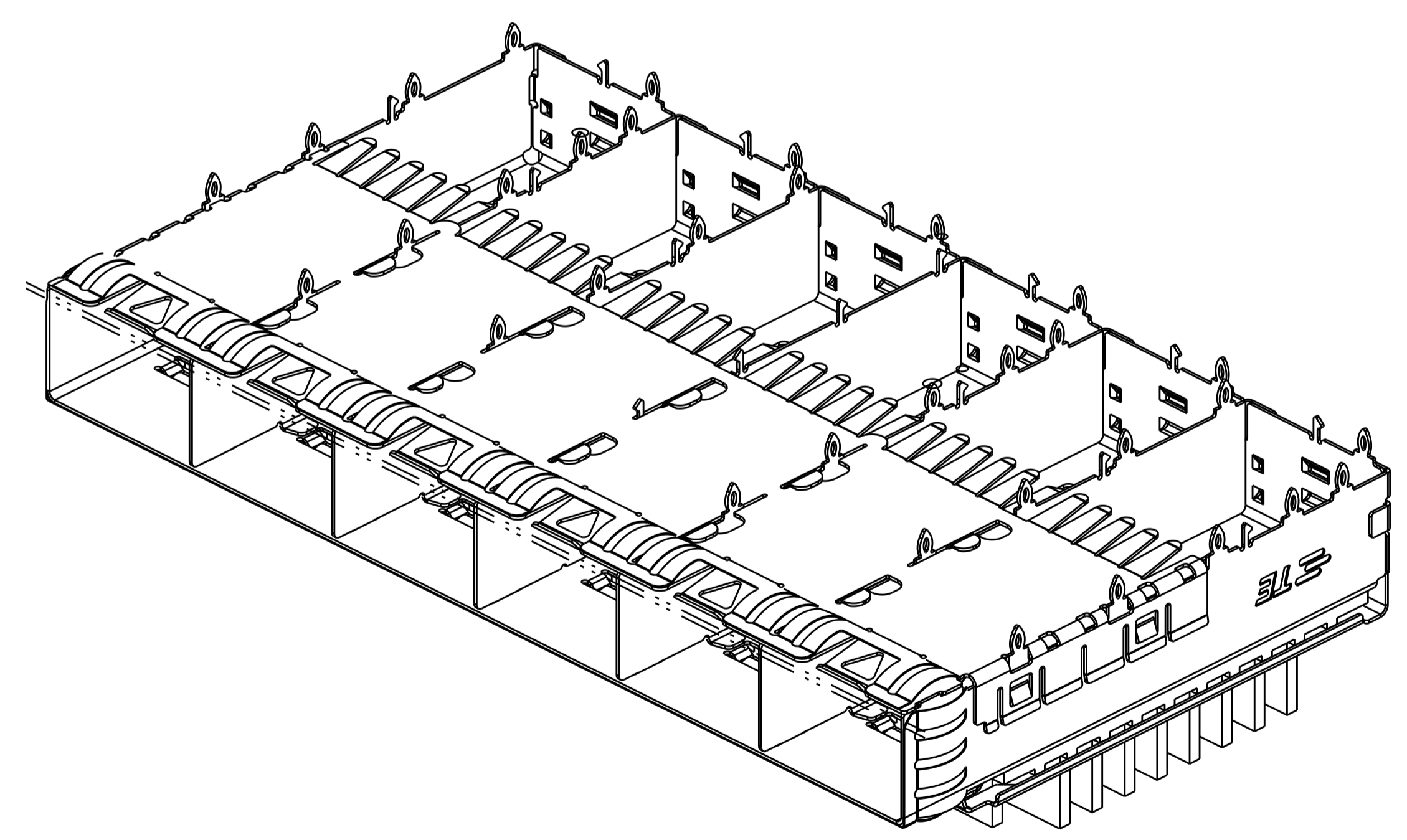
LOC	DIST	REVISIONS					
GP	00	P	LYR	DESCRIPTION	DATE	DWN	APVD
		-		SEE SHEET 1			



2198235-5 AS SHOWN WITH INSULATING TAPE
 WITH PIN TYPE HEAT SINK



2198235-1,2,3,4 WITHOUT INSULATING TAPE
 WITH PIN TYPE HEAT SINK

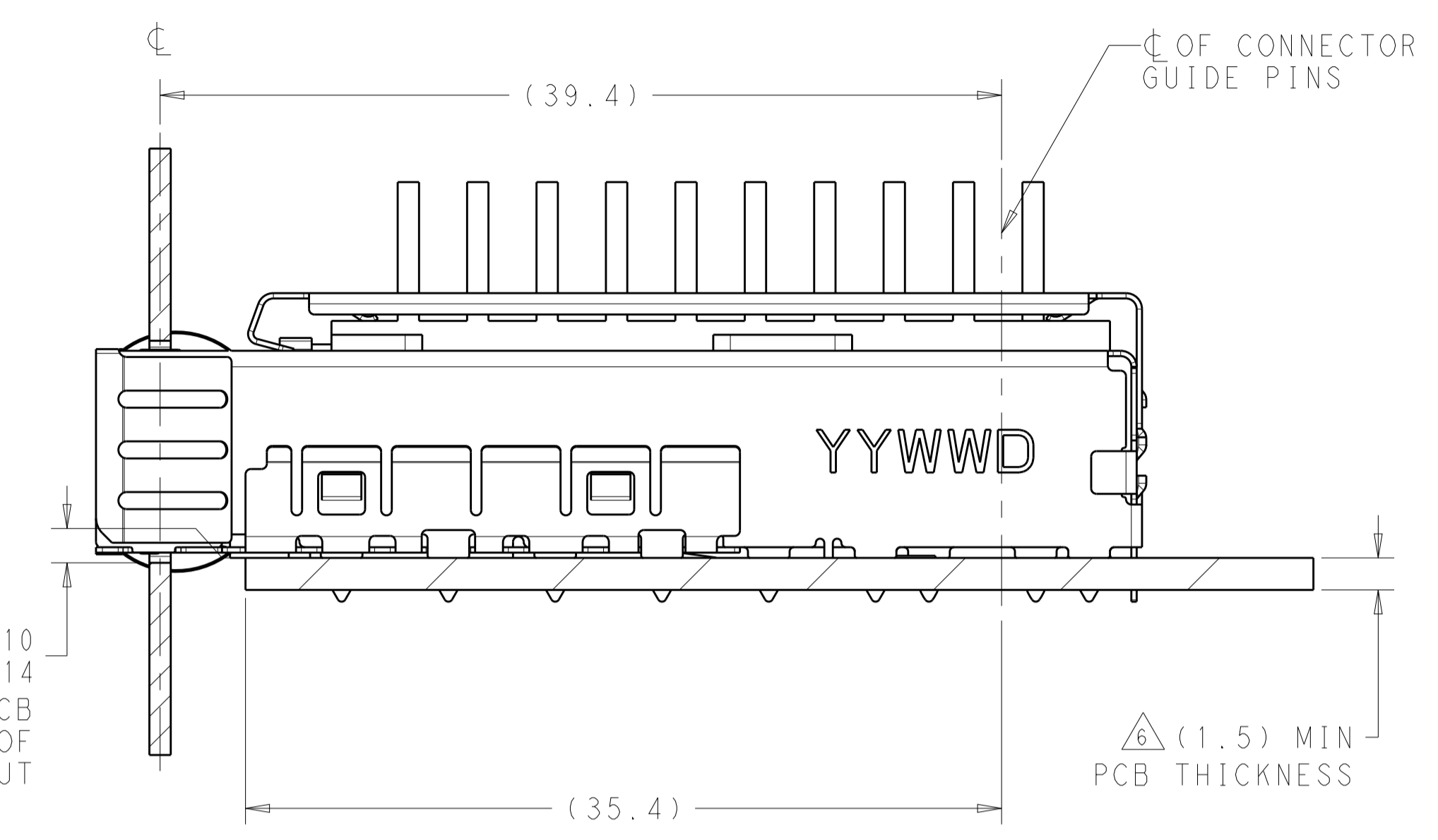
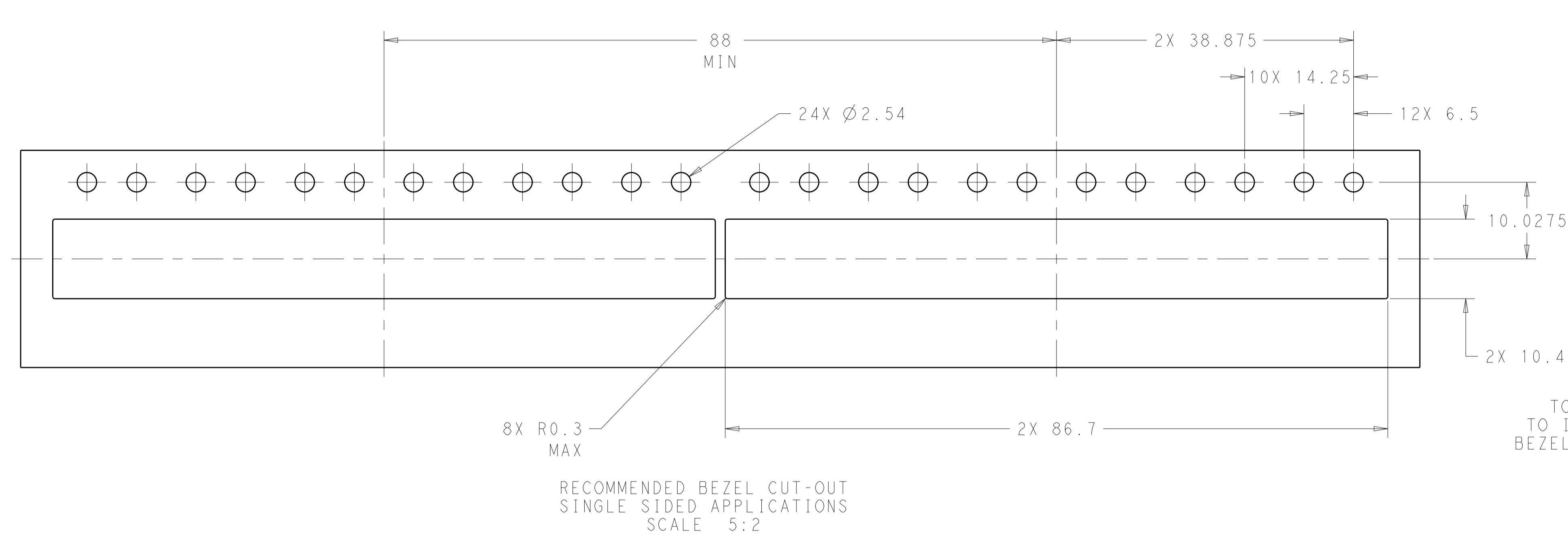


2198235-6,7,8,9 AS SHOWN WITHOUT INSULATING TAPE WITH FIN TYPE HEAT SINK

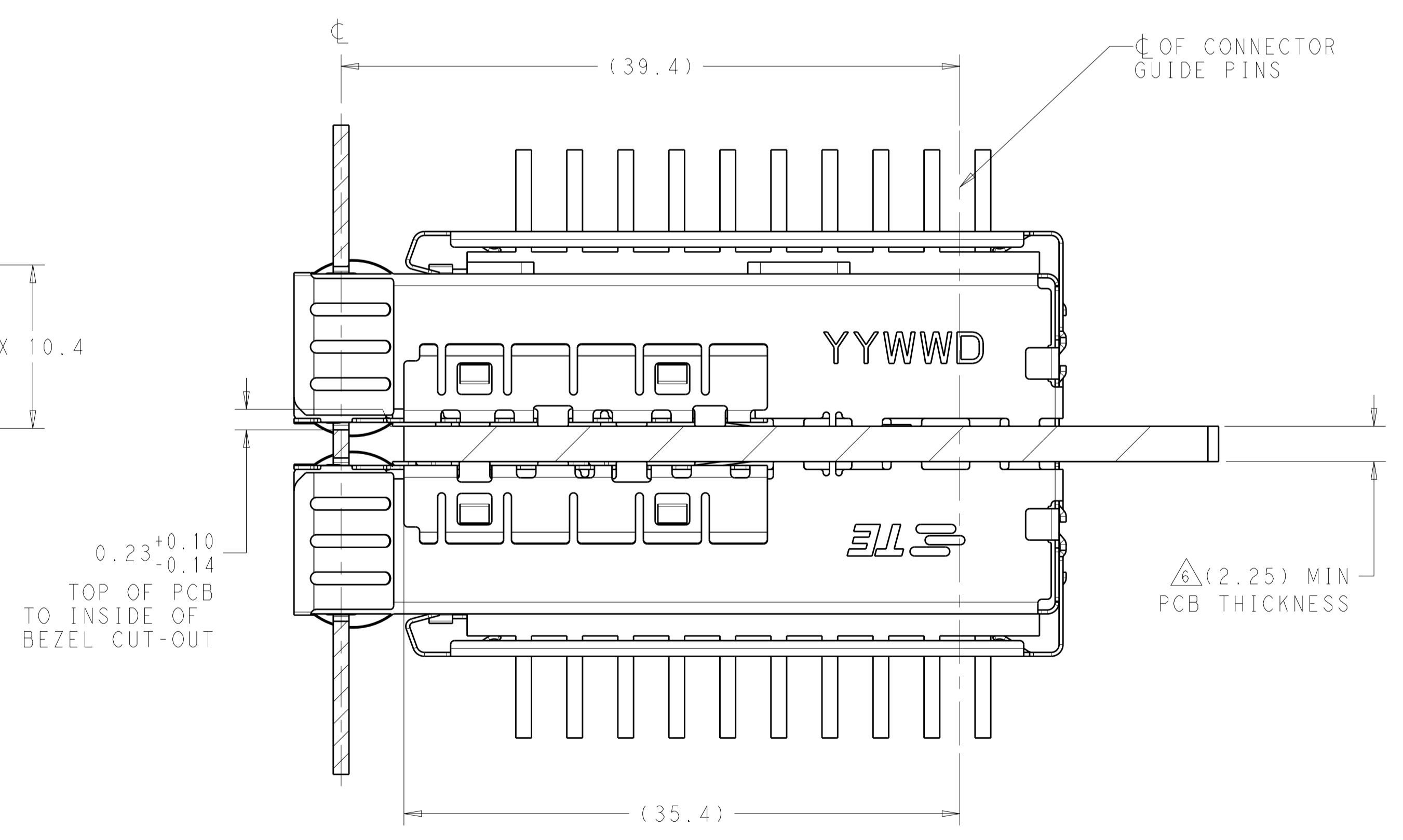
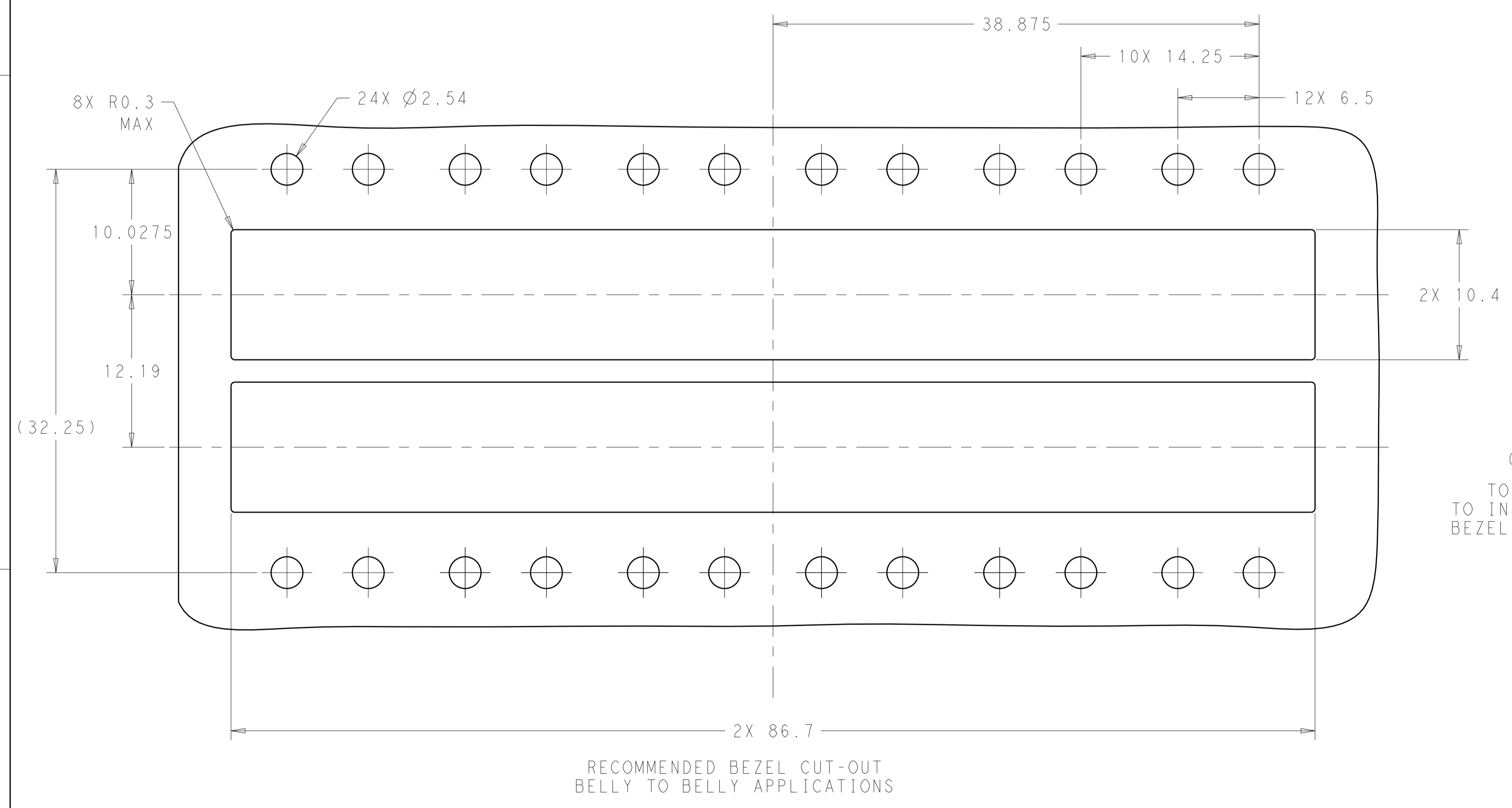
THIS DRAWING IS A CONTROLLED DOCUMENT.		DWN	B. MATTHEWS	15NOV2011	STE TE Connectivity		
DIMENSIONS:		CHK	M. SCHMITT	15NOV2011			
mm	TOLERANCES UNLESS OTHERWISE SPECIFIED:	APVD	M. SCHMITT	15NOV2011	NAME SFP+ ENHANCED 1X6 CAGE ASSEMBLY, PRESS FIT, EXTERNAL EMI SPRINGS WITH HEATSINK		
0 PLC	±0.1	PRODUCT SPEC	108-2364	SIZE		CAGE CODE	DRAWING NO
1 PLC	±0.1	APPLICATION SPEC	114-13120	WEIGHT	A100779	C=2198235	
2 PLC	±0.1	FINISH		MATERIAL	Customer Drawing	SCALE	4:1
3 PLC	±0.1					SHEET	2 OF 7
4 PLC	±0.1					REV	B2
ANGLES	±1°						

LOC	DIST	REV	DATE	BY	APPV
GP	00				

REVISIONS			
NO.	DESCRIPTION	DATE	BY
-	SEE SHEET 1	-	-



2198235
MOUNTED ON PC BOARD
SHOWN THRU RECOMMENDED BEZEL

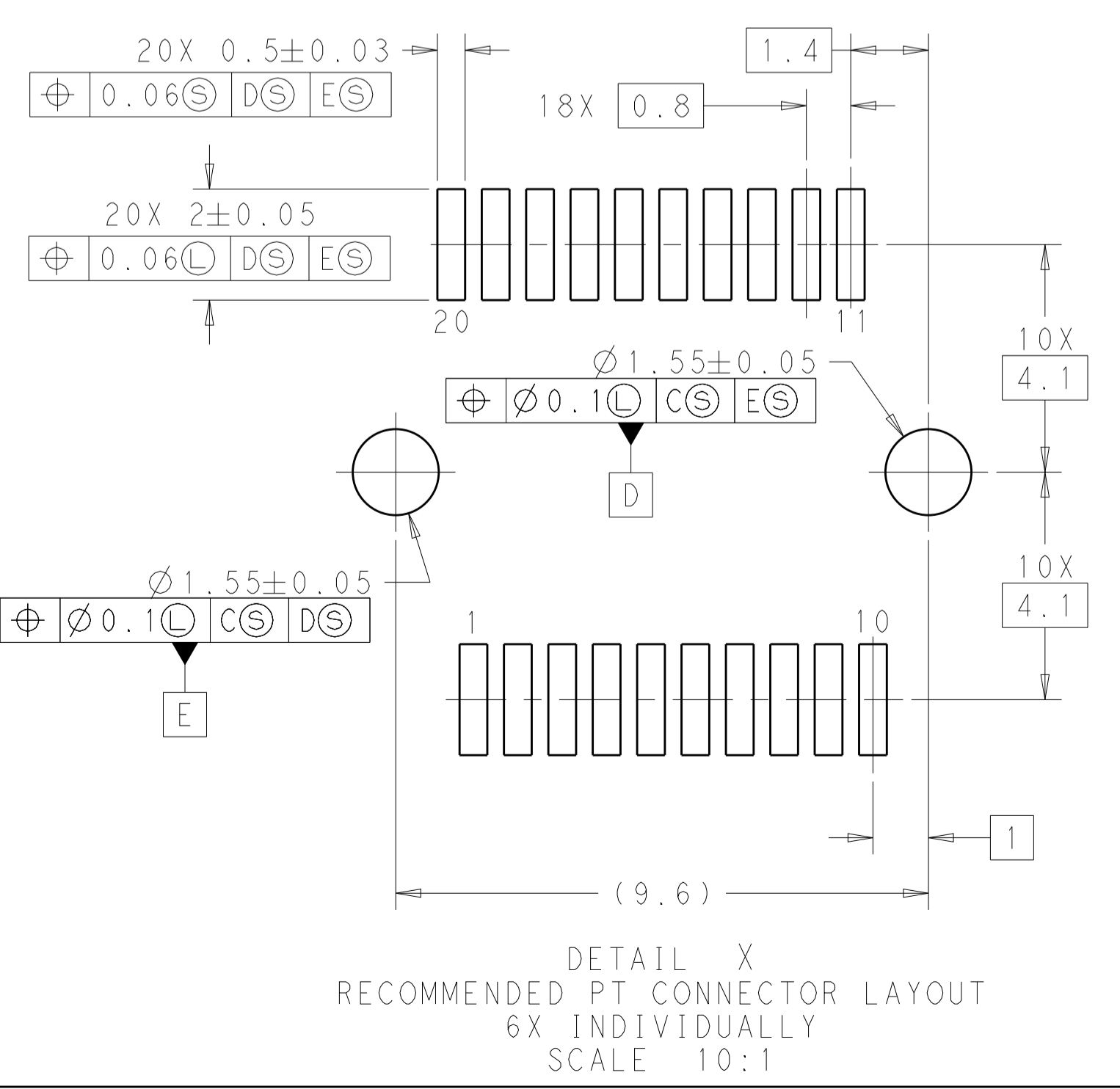
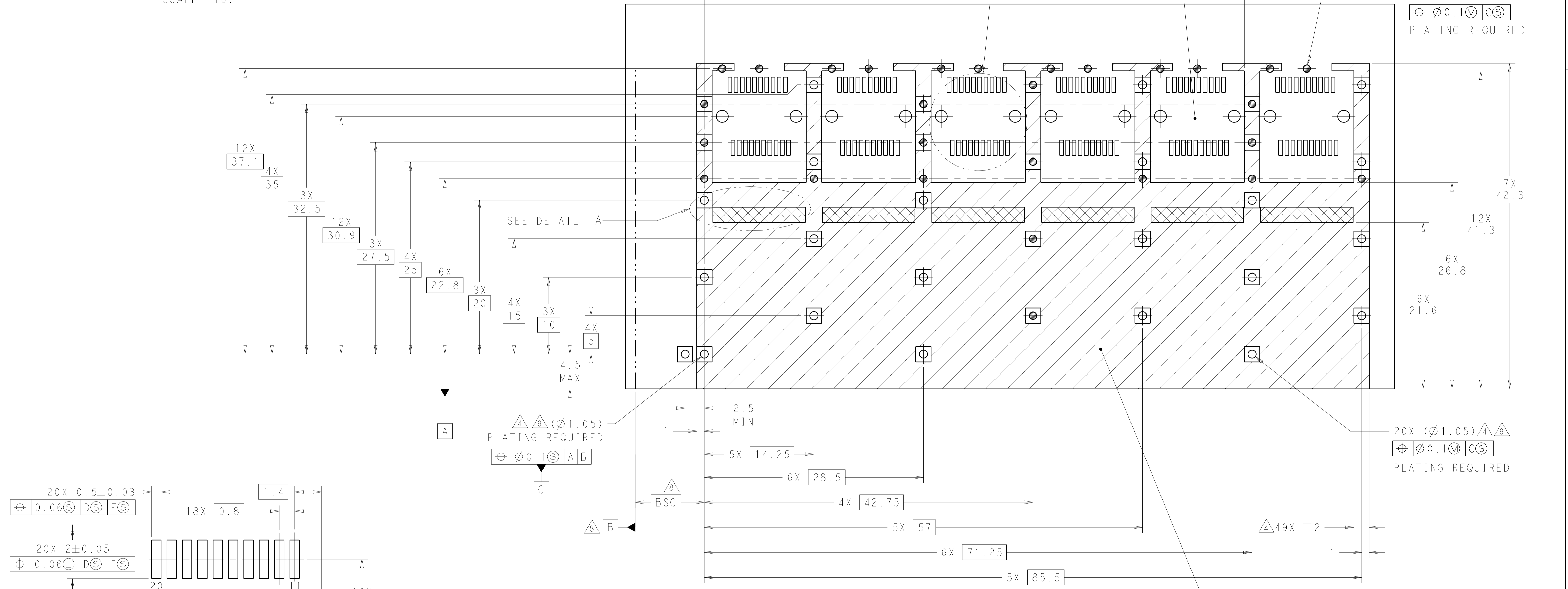
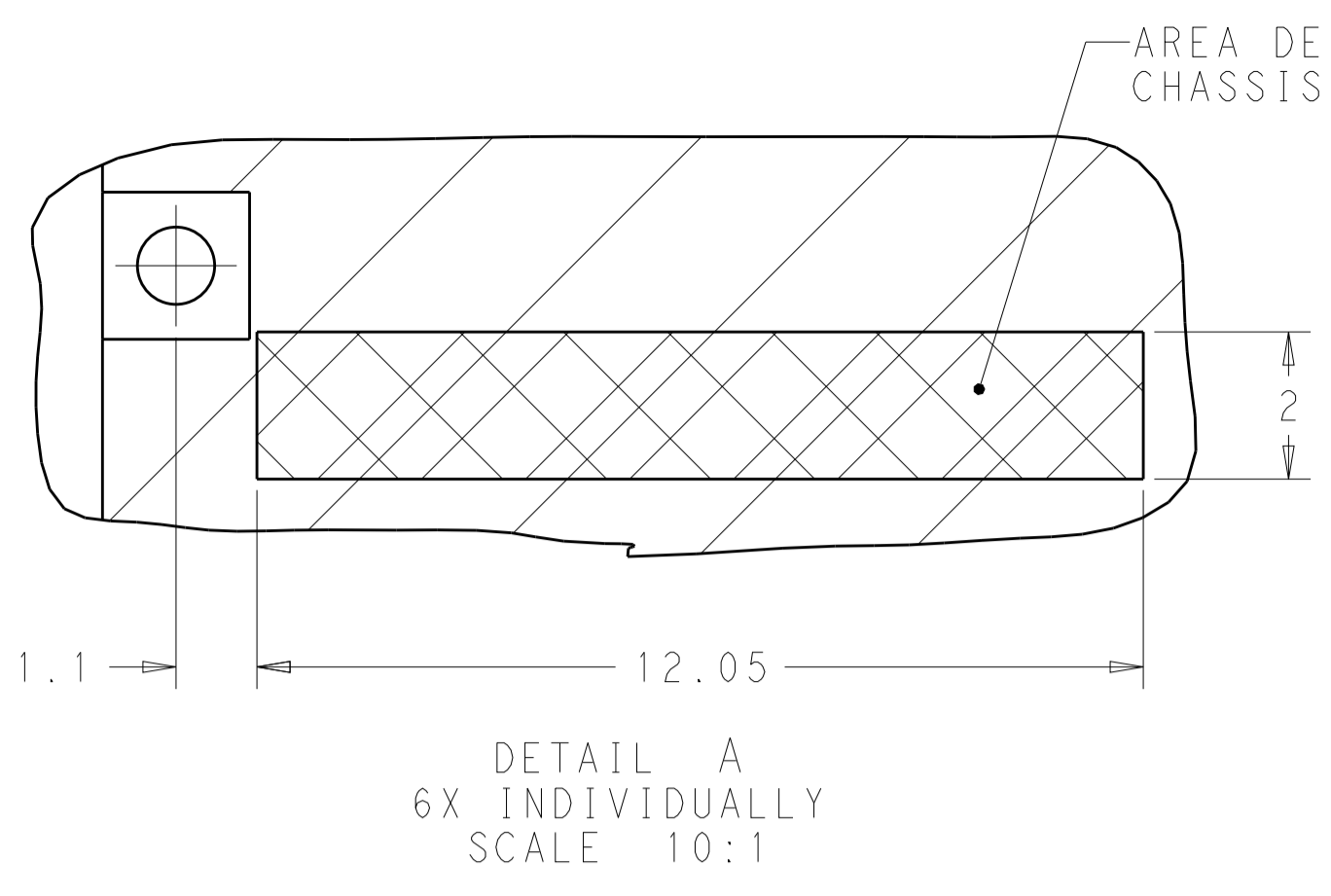


2198235
MOUNTED BELLY TO BELLY ON PC BOARD
SHOWN THRU RECOMMENDED BEZEL

THIS DRAWING IS A CONTROLLED DOCUMENT.		OWN: B. MATTHEWS 15NOV2011	 TE Connectivity
DIMENSIONS: mm		CHK: M. SCHMITT 15NOV2011	
TOLERANCES UNLESS OTHERWISE SPECIFIED:		APVD: M. SCHMITT 15NOV2011	
0 PLC ±0.1 1 PLC ±0.1 2 PLC ±0.1 3 PLC ±0.1 4 PLC ±0.1 ANGLES ±1°		NAME: SFP+ ENHANCED 1X6 CAGE ASSEMBLY, PRESS FIT, EXTERNAL EMI SPRINGS WITH HEATSINK PRODUCT SPEC: 108-2364 APPLICATION SPEC: 114-13120 WEIGHT: - Customer Drawing	
MATERIAL:		SIZE: A100779	RESTRICTED TO: -
		SCALE: 4:1	SHEET 3 OF 7
		REV: B2	

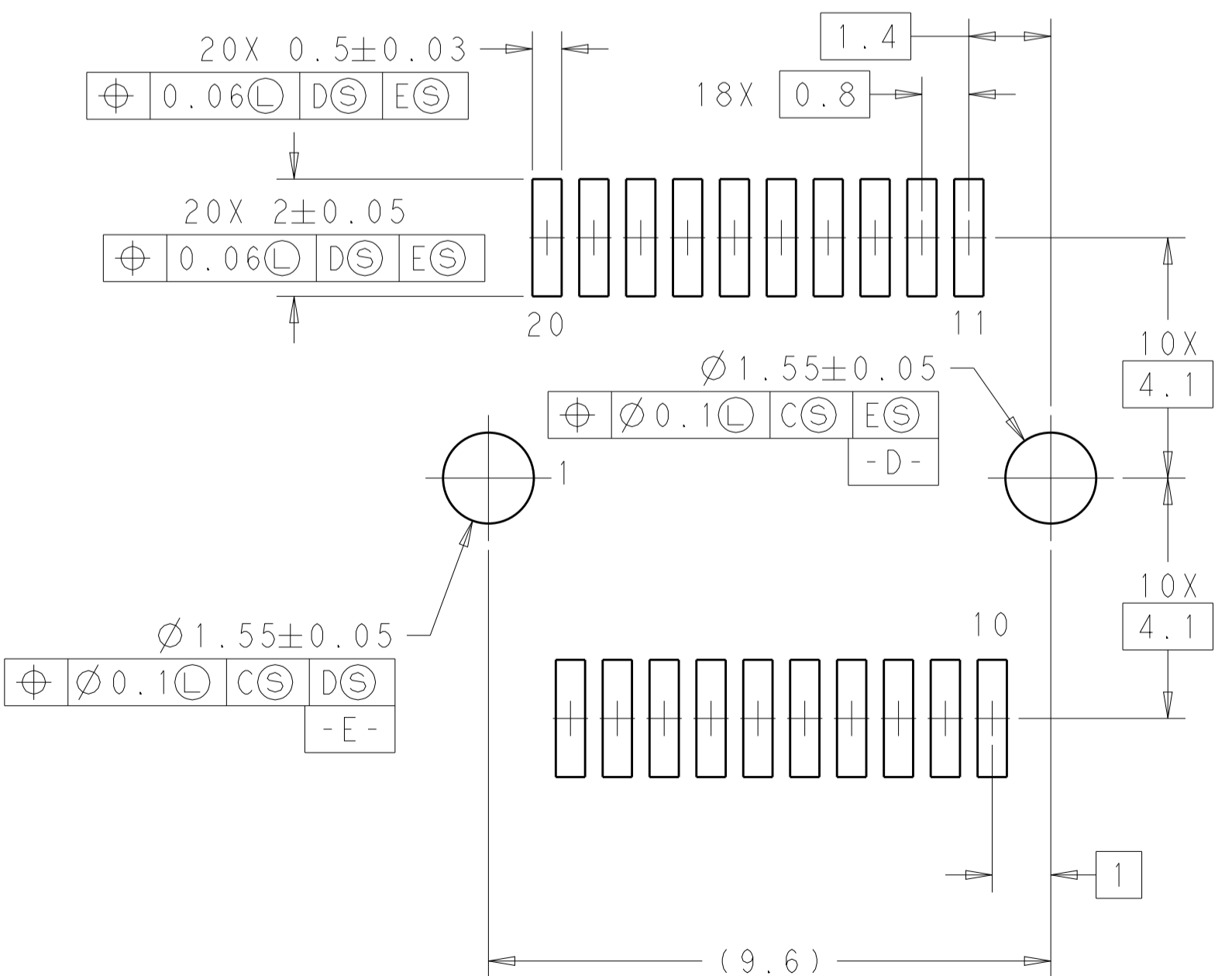
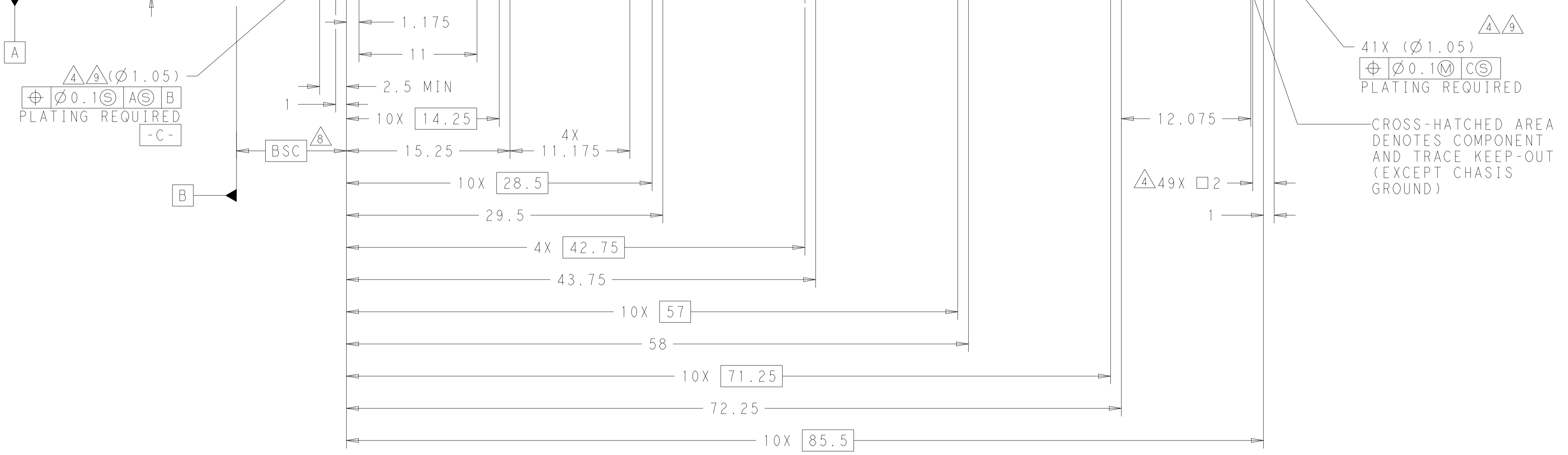
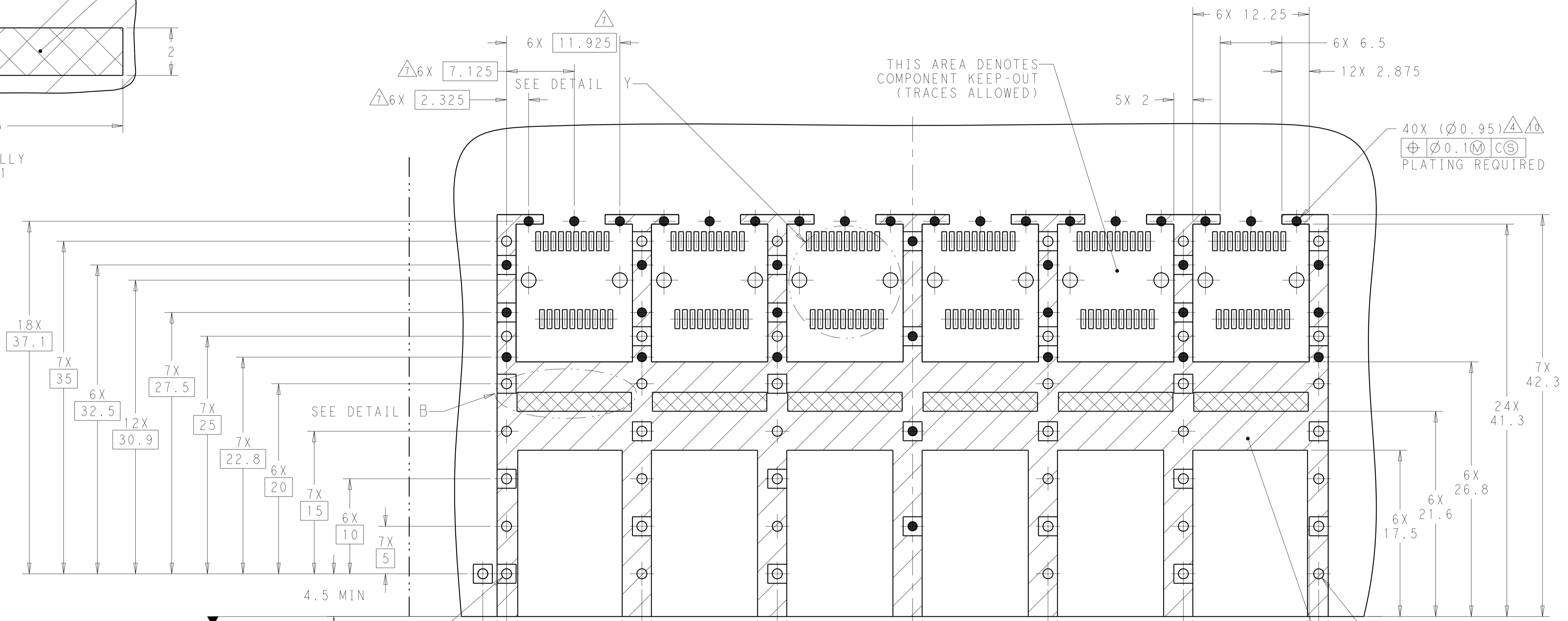
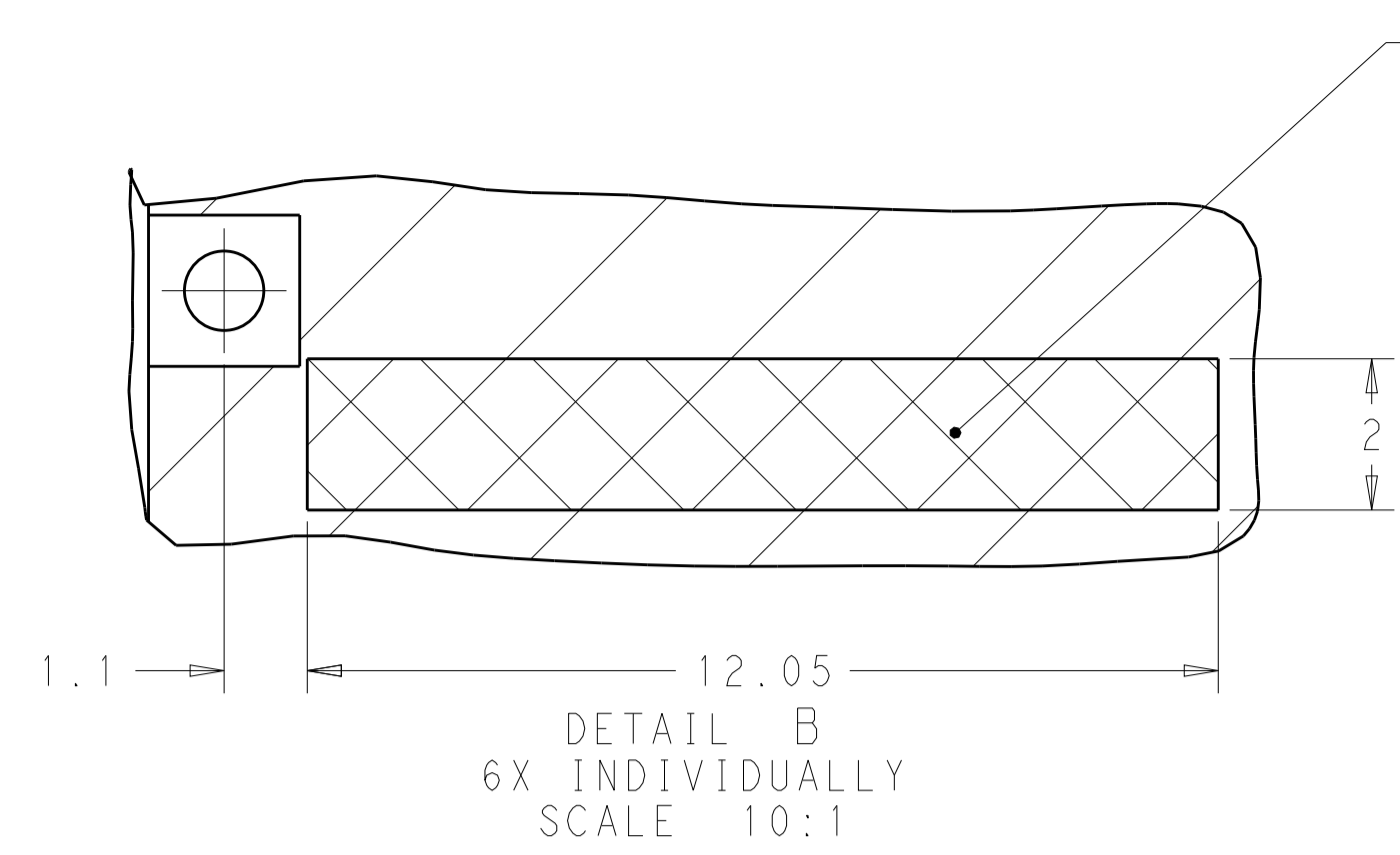
LOC	DIST	REV	DATE	BY	APPV
GP	00				

REVISIONS			
NO.	DESCRIPTION	DATE	BY
1	SEE SHEET 1		



THIS DRAWING IS A CONTROLLED DOCUMENT.		OWN: B. MATTHEWS 15NOV2011	TE Connectivity
DIMENSIONS: mm		CHK: M. SCHMITT 15NOV2011	
TOLERANCES UNLESS OTHERWISE SPECIFIED:		APVD: M. SCHMITT 15NOV2011	NAME: SFP+ ENHANCED 1X6 CAGE ASSEMBLY, PRESS FIT, EXTERNAL EMI SPRINGS WITH HEATSINK PRODUCT SPEC: 108-2364 APPLICATION SPEC: 114-13120 SIZE: CAGE CODE DRAWING NO: A100779 WEIGHT: - Customer Drawing
0 PLC ±0.1		RESTRICTED TO: -	
1 PLC ±0.1		SCALE: 4:1	
2 PLC ±0.1		SHEET: 4 OF 7	
3 PLC ±0.1		REV: B2	
4 PLC ±0.1			
ANGLES ±0.1			
FINISH: #1*			

LOC		DIST		REVISIONS			
GP	00	P	LTN	DESCRIPTION	DATE	OWN	APVD
		-		SEE SHEET 1			



RECOMMENDED PCB CONFIGURATION WITH KEEP-OUT AREAS BELLY TO BELLY APPLICATIONS FOR WITH INSULATING TAPE PART

THIS DRAWING IS A CONTROLLED DOCUMENT.		OWN: B. MATTHEWS 15NOV2011		TE Connectivity
DIMENSIONS: mm		CHK: M. SCHMITT 15NOV2011		NAME: SFP+ ENHANCED 1X6 CAGE ASSEMBLY, PRESS FIT, EXTERNAL EMI SPRINGS WITH HEATSINK
TOLERANCES UNLESS OTHERWISE SPECIFIED:		APVD: M. SCHMITT 15NOV2011	PRODUCT SPEC: 108-2364	RESTRICTED TO:
0 PLC ±0.1		APPLICATION SPEC: 114-13120	SIZE: A100779	SCALE: 4:1
1 PLC ±0.1		WEIGHT: -	CAGE CODE: C=2198235	SHEET 7 OF 7
2 PLC ±0.1		FINISH: #1*	Customer Drawing	REV: B2
3 PLC ±0.1				
4 PLC ±0.1				
ANGLES ±0.1				

X-ON Electronics

Largest Supplier of Electrical and Electronic Components

Click to view similar products for [I/O Connectors](#) category:

Click to view products by [TE Connectivity](#) manufacturer:

Other Similar products are found below :

[571763P](#) [58098-0628](#) [72.250.1628.2](#) [72.250.2428.2](#) [74720-0505](#) [76.350.0729.0](#) [76871-1403](#) [FCN-244F080-G/1](#) [FCN-260A9920](#) [PCR-E36PM](#) [PCS-XE26MA+](#) [G38A71314B](#) [DX40-50P\(55\)](#) [1571250010](#) [157-22500-3](#) [MS3471L14-19P L/C](#) [91-569786-35H](#) [172501-4002](#) [172501-6002](#) [FCN-260C008-A/L0](#) [FCN-260C024-AL0](#) [FCN-261Z008](#) [2000314-1](#) [200331-1](#) [PCR-E36FC+](#) [PCS-E28FS+](#) [PCS-XE26SLFD+](#) [PCS-XE26SLFDT+](#) [G730VID08BDC24](#) [U90B2054081210](#) [UE86K842720321](#) [38113800006](#) [DP3AR020WQ1R200](#) [Z4.102.0680.0](#) [500-1040](#) [500-1052](#) [500-1054](#) [ZP-4008-66L](#) [0709821002](#) [10-565995-597N](#) [DX40-20P\(55\)](#) [5554841-1](#) [MS3474W18-8P-LC*](#) [U90B3054061110](#) [U65-E04-4020](#) [ZPF000000000097891](#) [557-262M2-06C](#) [747360449](#) [10099439-003C-TRLF](#) [10137239-0021LF](#)