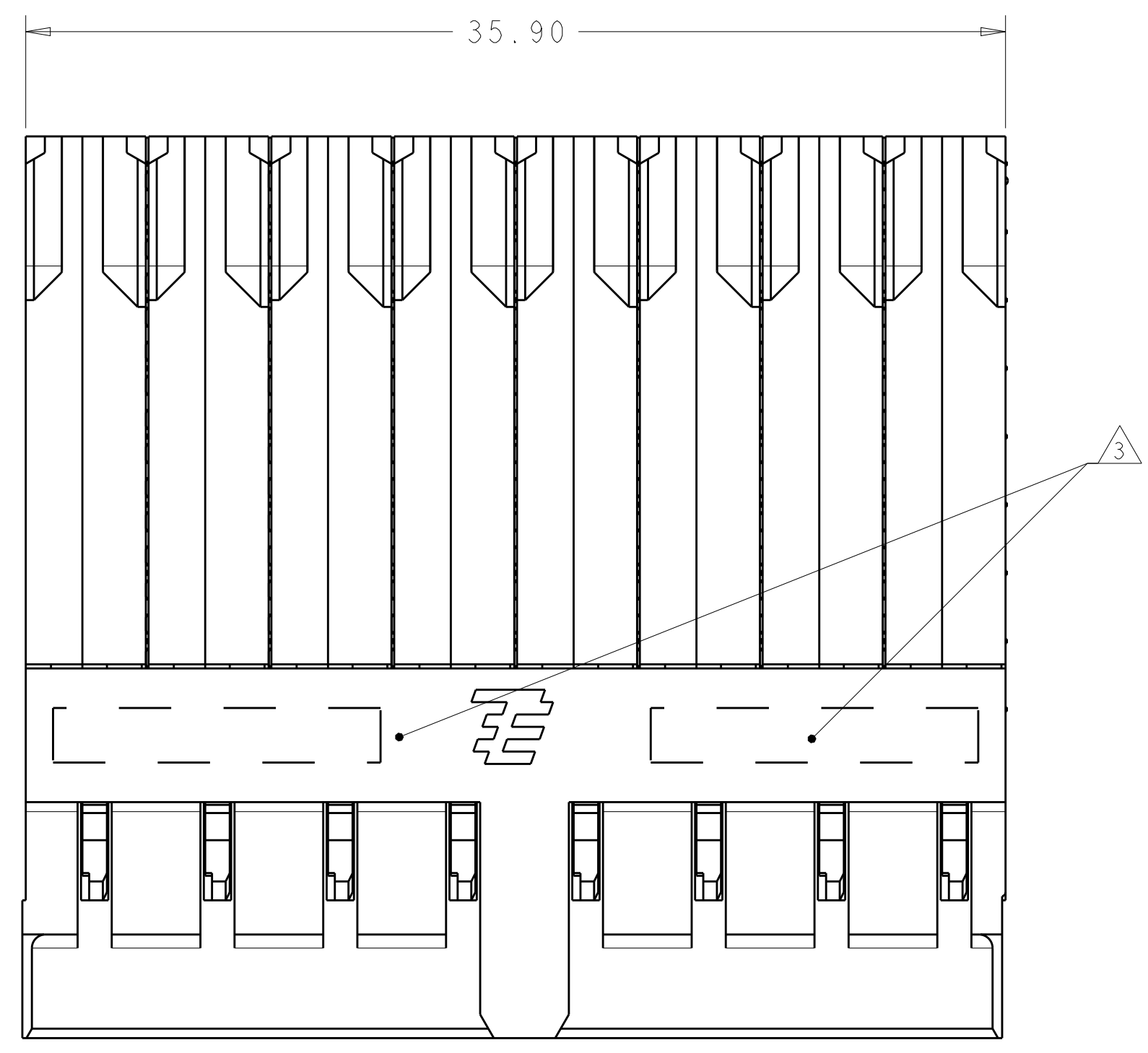
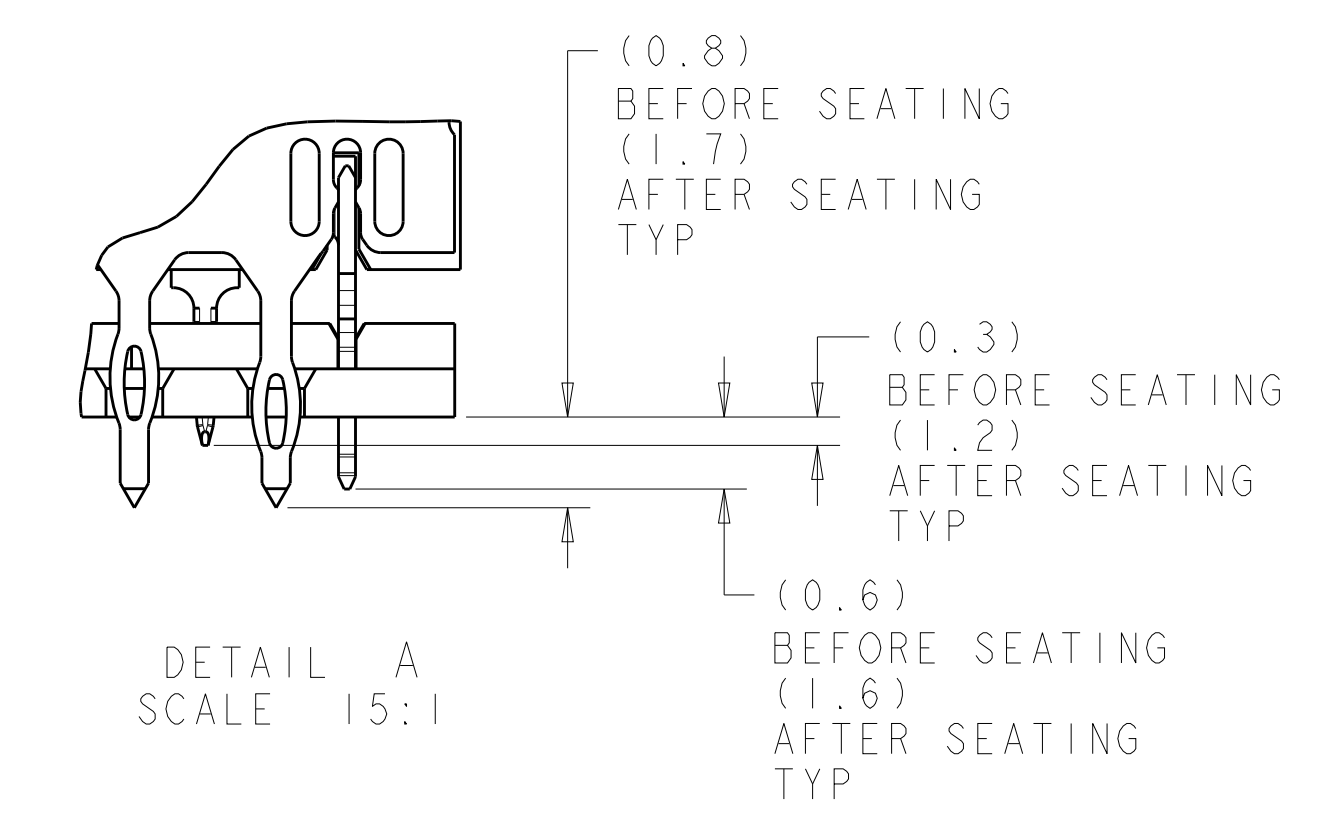
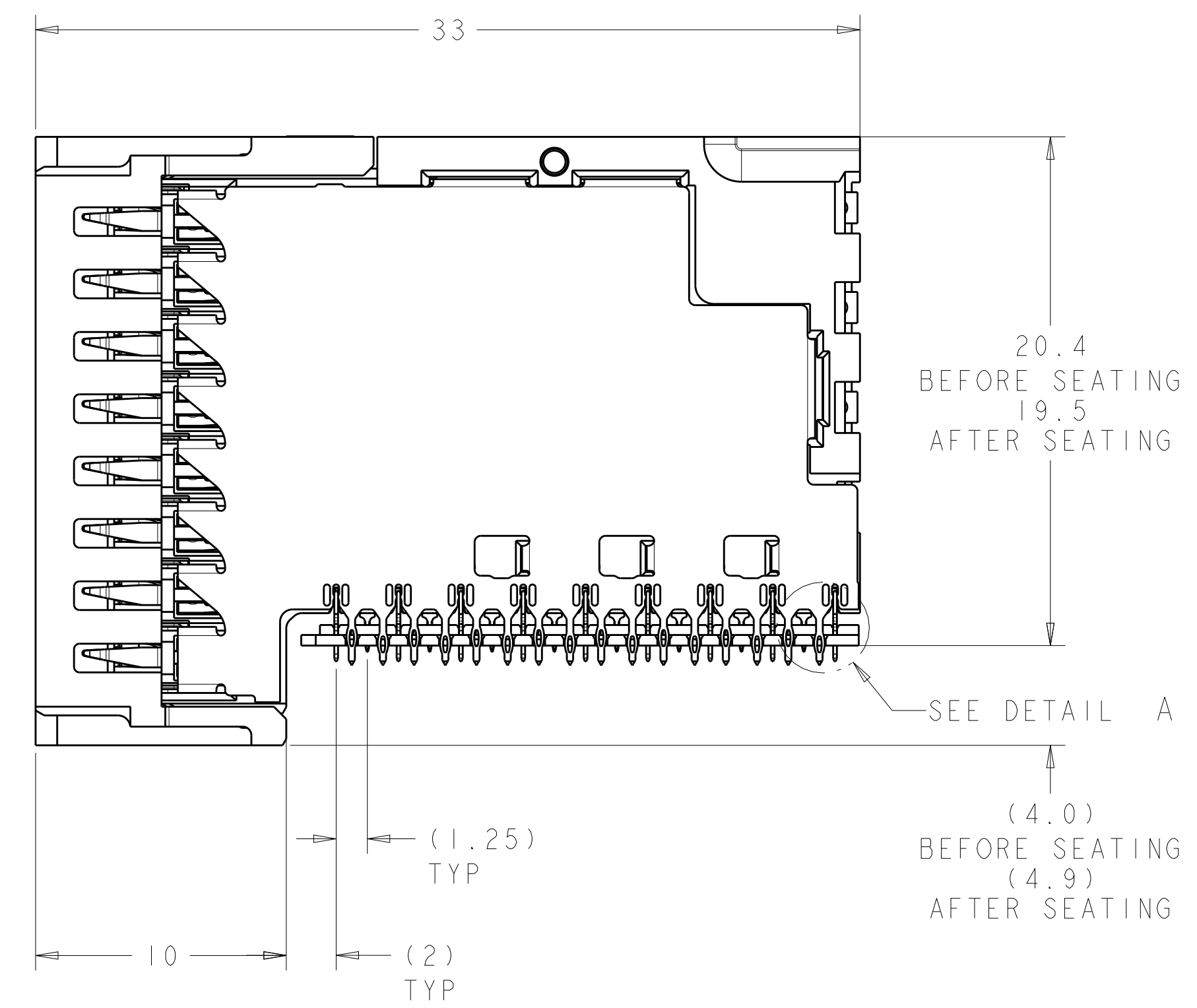
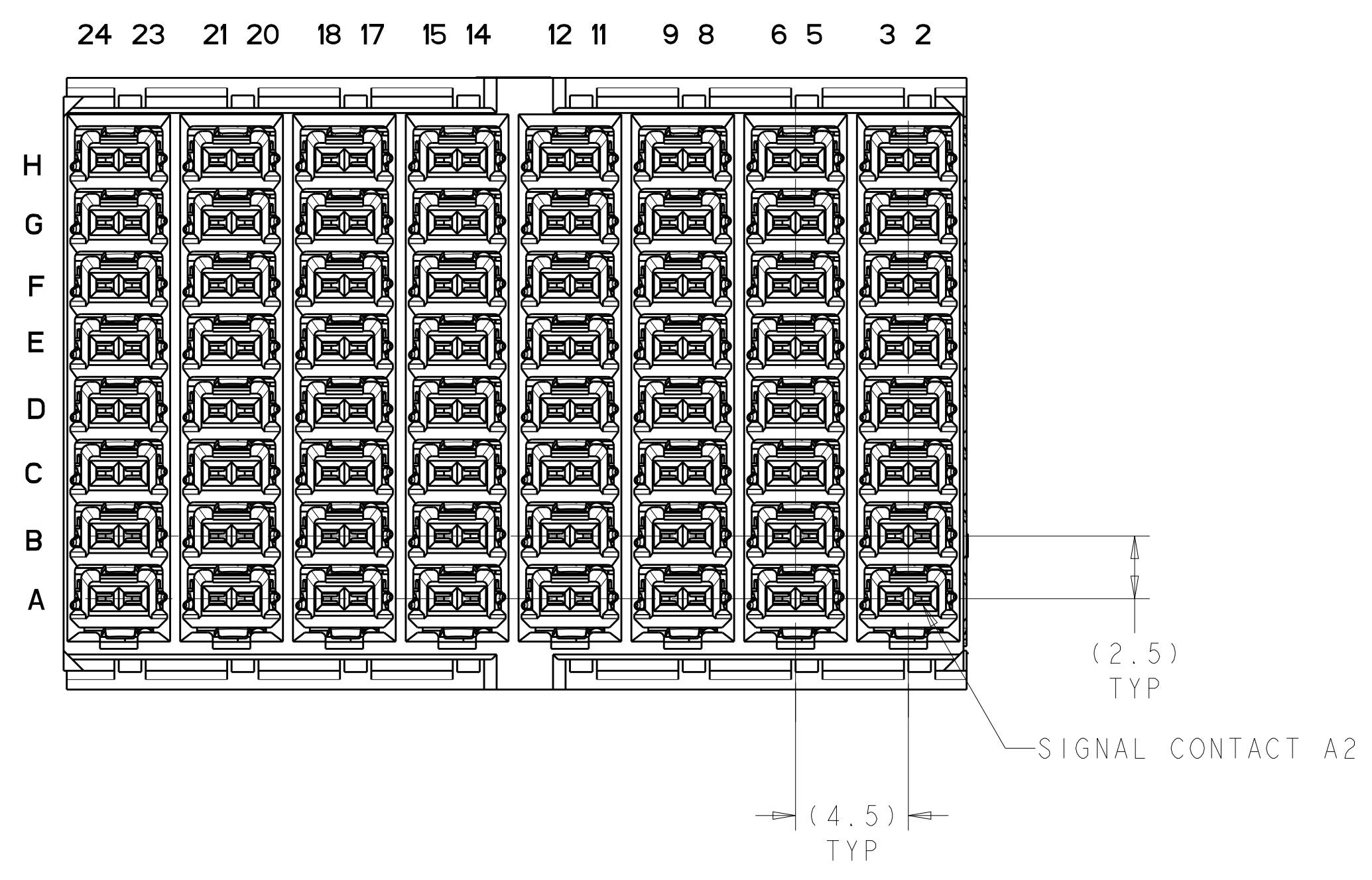


LOC	DIST	REVISIONS			
GP	00	REV	DATE	BY	APPV
		A	23MAR2014	RT	NS
		B	07JUL2014	LAW	NW
		C	10MAY2017	JM	SS



- 1 MATERIAL:  
CONTACT AND SHIELD - COPPER ALLOY.  
HOUSINGS, AND ORGANIZER - THERMOPLASTIC, UL 94V-0, BLACK.
- 2 CONFORMS TO REQUIREMENTS OF TE PRODUCT SPECIFICATION 108-2413 & 108-32037, BASED ON TELCORDIA GR-1217-CORE FOR SYSTEM QUALITY LEVEL III; APPLICATIONS IN CONTROLLED ENVIRONMENTS (CENTRAL OFFICE).
- 3 CONNECTOR MARKED WITH PART NUMBER, DATE CODE, MANUFACTURING LOCATION IDENTIFICATION CODE, AND 2D BARCODE IN APPROXIMATE AREA SHOWN.
- 4 CONTACT AREA LUBRICATED WITH BELLCORE APPROVED LUBRICANT. TECHNICAL REFERENCE: GR-1217-CORE, ISSUE 2, DECEMBER 2008.
- 5 PLATED THRU HOLE REQUIREMENTS:  
FINISHED HOLE =  $\varnothing 0.344 \pm 0.039$   
DRILLED HOLE =  $\varnothing 0.420 \pm 0.013$   
COPPER THICKNESS =  $0.038 \pm 0.013$   
IMMERSION TIN IF APPLICABLE =  $0.00051 \pm 0.00013$
- 6 PLATED THRU HOLE REQUIREMENTS:  
FINISHED HOLE =  $\varnothing 0.244 \pm 0.039$   
DRILLED HOLE =  $\varnothing 0.320 \pm 0.013$   
COPPER THICKNESS =  $0.038 \pm 0.013$   
IMMERSION TIN IF APPLICABLE =  $0.00051 \pm 0.00013$
- 7 PTH DIMENSIONS APPLY TO 1.00mm DEPTH FROM MOUNT SIDE OF PCB.
- 8 HOLE POSITION TOLERANCE APPLIES WITHIN PATTERN FOR CONNECTOR PATTERN TO CONNECTOR PATTERN, A 0.12 $\varnothing$  POSITION TOLERANCE APPLIES.



TIN	2198264-3
TIN LEAD	2198264-1
PRESS FIT TAIL PLATING	PART NO

**OBSELETE**

**STE** TE Connectivity

RECEPTACLE ASSEMBLY,  
8 PAIR 8 COLUMN, RIGHT ANGLE,  
4.5mm PITCH, STRADA WHISPER 360

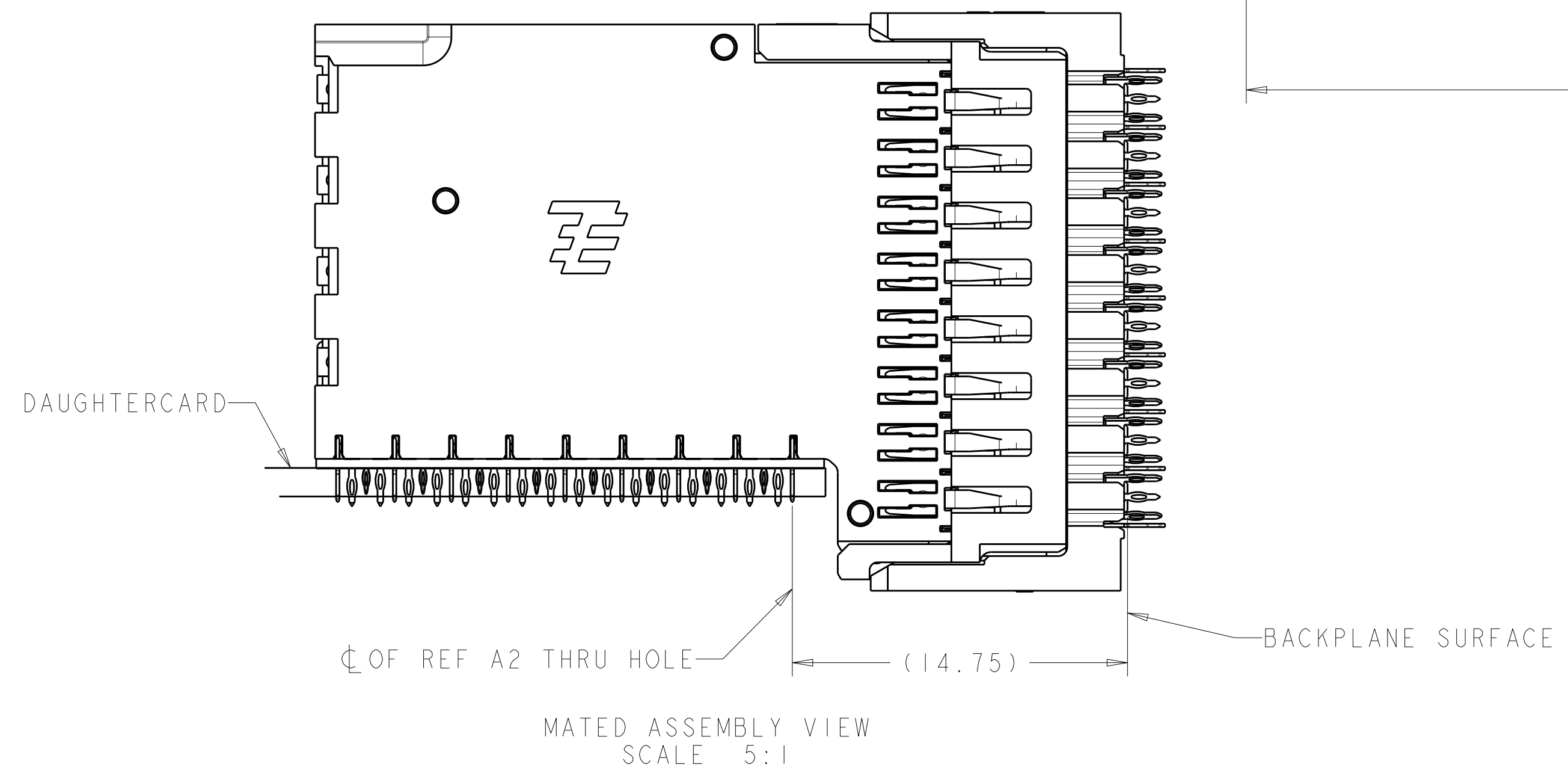
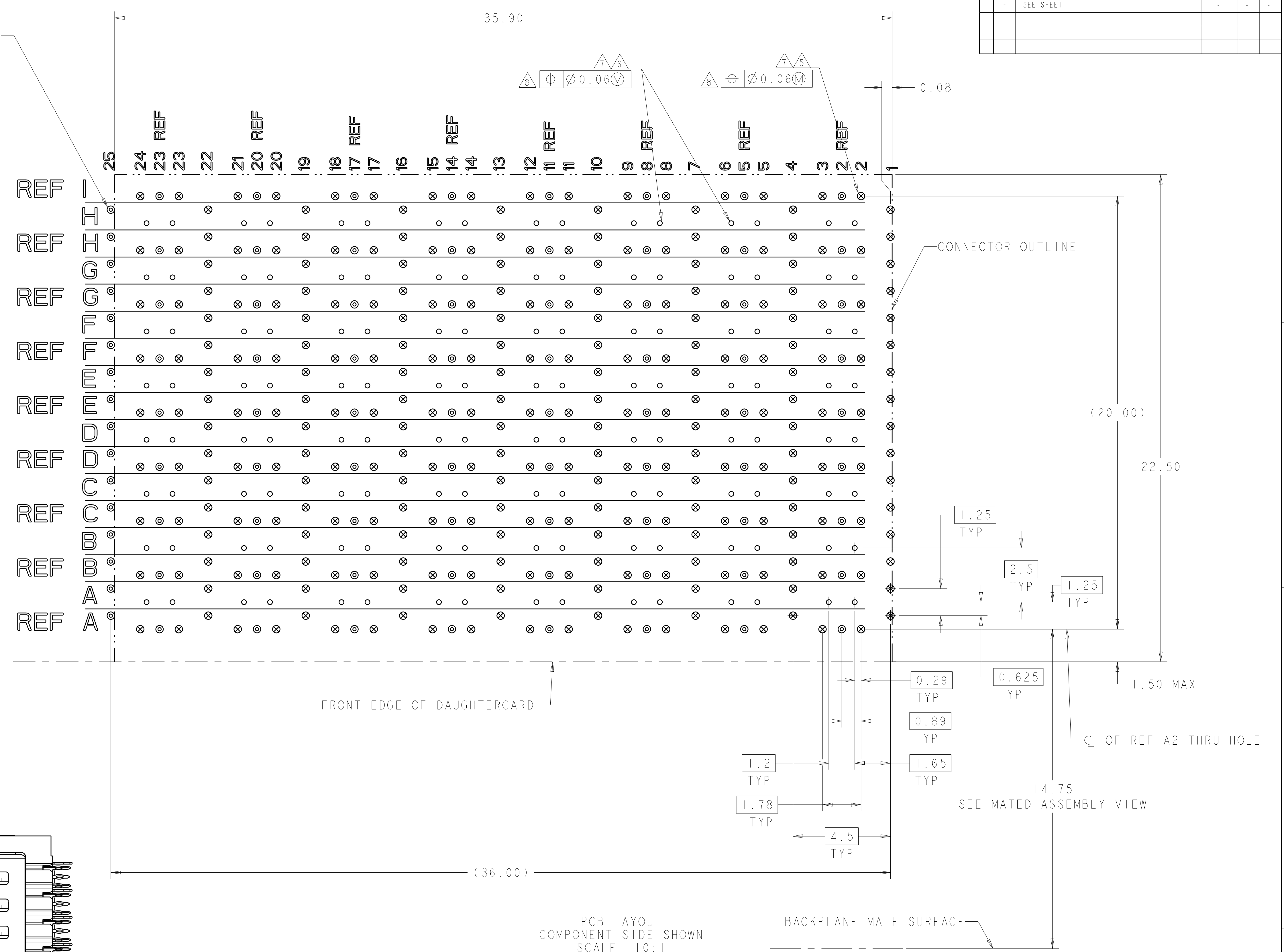
Customer Drawing

SCALE 5:1 SHEET 1 OF 2 REV C

DIMENSIONS:		TOLERANCES UNLESS OTHERWISE SPECIFIED:	
mm	0 PLC $\pm 0.2$	1 PLC $\pm 0.2$	2 PLC $\pm 0.08$
	3 PLC $\pm 0.13$	4 PLC $\pm 0.13$	ANGLES $\pm$
MATERIAL	FINISH	SEE TABLE	

LOC	DIST	REVISIONS					
GP	00	P	LYR	DESCRIPTION	DATE	OWN	APVD
		-		SEE SHEET 1			

FOOTPRINT SHOWN IS FOR SINGLE MODULE APPLICATION. WHEN CONNECTORS ARE STACKED SIDE BY SIDE, THESE SI VIAS ARE USED AS GROUNDS BY THE NEXT CONNECTOR



- = SIGNAL
- ⊗ = GROUND
- ⊙ = SIGNAL INTEGRITY VIA TO GROUND

THIS DRAWING IS A CONTROLLED DOCUMENT.		OWN R. THOMPSON 29NOV2011	TE Connectivity
DIMENSIONS:		CHK N. SWANGER 29NOV2011	
TOLERANCES UNLESS OTHERWISE SPECIFIED:		APVD N. SWANGER 29NOV2011	NAME RECEPTACLE ASSEMBLY, 8 PAIR 8 COLUMN, RIGHT ANGLE, 4.5mm PITCH, STRADA WHISPER 360
mm	0 PLC ±0.2 1 PLC ±0.2 2 PLC ±0.2 3 PLC ±0.08 4 PLC ±0.13 ANGLES ±°	PRODUCT SPEC	SIZE A100779C=2198264
MATERIAL	FINISH	APPLICATION SPEC	RESTRICTED TO
		WEIGHT	SCALE 5:1 SHEET 2 OF 2 REV C
		Customer Drawing	

## X-ON Electronics

Largest Supplier of Electrical and Electronic Components

*Click to view similar products for [High Speed/Modular Connectors](#) category:*

*Click to view products by [TE Connectivity](#) manufacturer:*

Other Similar products are found below :

[650827-1](#) [74040-1346](#) [1410191-1](#) [1410368-3](#) [1410964-2](#) [1410326-3](#) [1410367-3](#) [1410971-4](#) [1467833-1](#) [2000877-1](#) [2000878-1](#) [2041314-1](#)  
[2065387-1](#) [2187307-1](#) [163P](#) [1934290-1](#) [2000875-1](#) [2065917-1](#) [2102736-2](#) [FSR-40](#) [2169868-2](#) [22354-8](#) [437-5040-000](#) [5-1393565-0](#) [039-](#)  
[0246-000](#) [0761601016](#) [0784461022](#) [10123159-12ELF](#) [030-2415-003/100 PK](#) [030-7380-004](#) [030-2494-001](#) [532939-1](#) [5532901-3](#) [3-1469268-](#)  
[7](#) [74748-102LF](#) [73670-0247](#) [10041743-101LF](#) [10066670-100002LF](#) [1-533915-1](#) [249-4515-000](#) [7-1469373-3](#) [DL2-2J/S](#) [2000713-8](#)  
[2000713-7](#) [10124313-101LF](#) [3011-21](#) [757105208](#) [EBTF-4-10-2.0-S-RA-1](#) [430305-001](#) [4395800100](#)