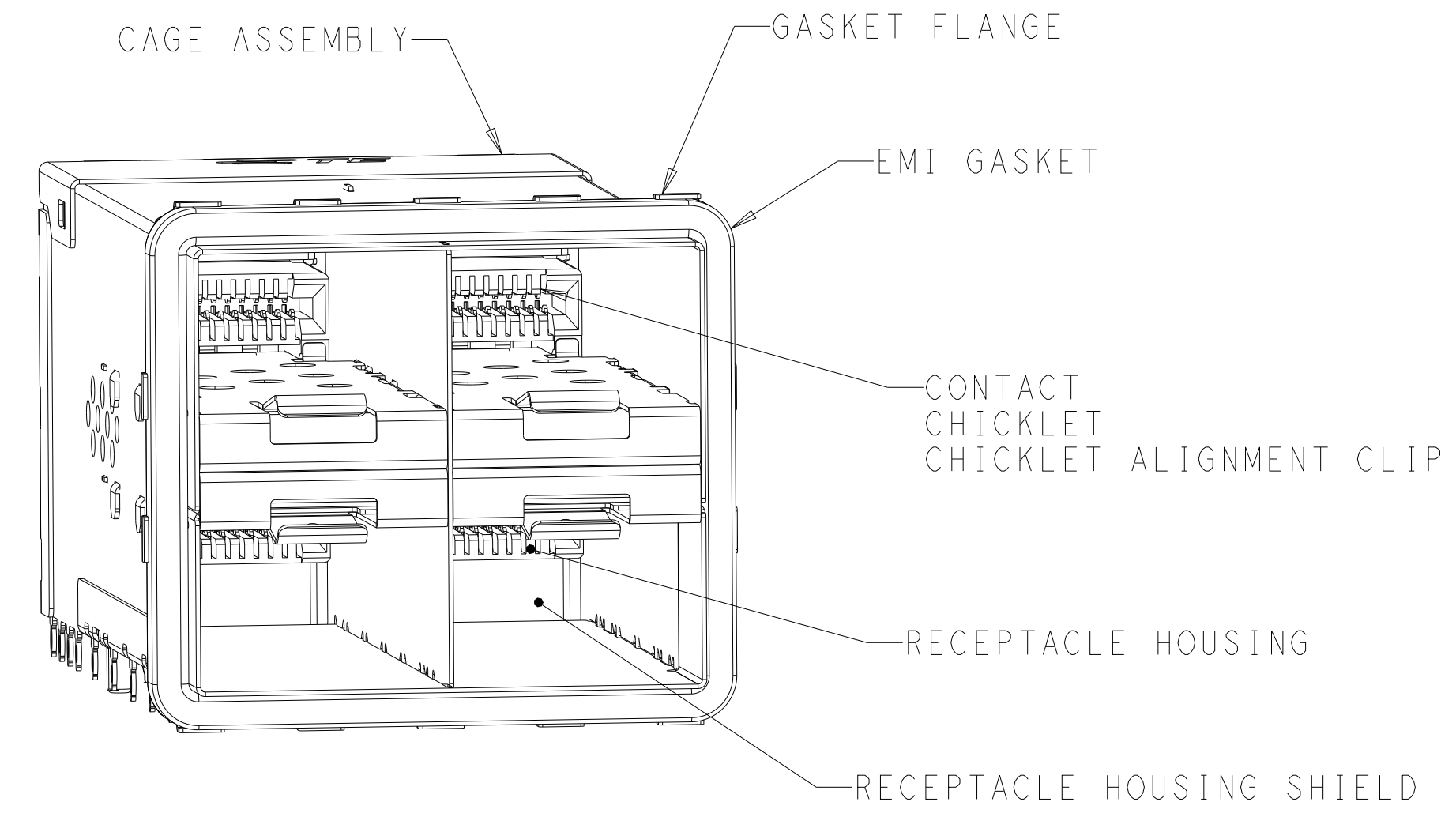
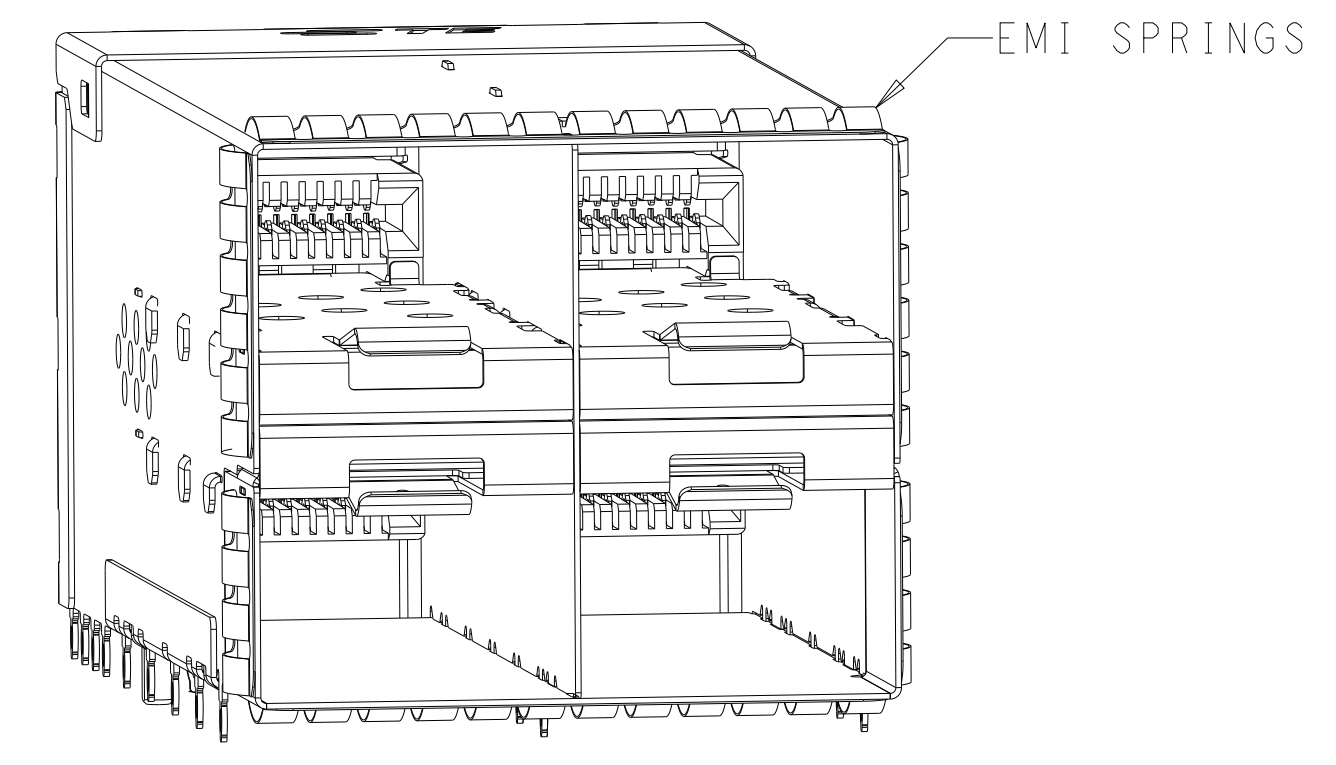


LOC	DIST	REVISIONS					
GP	00	P	LTN	DESCRIPTION	DATE	OWN	APVD
		A		RELEASED PER ECO-14-008758	13JUN2014	CJV	PAR
		B		REVISED PER ECO-15-010819	10AUG2015	PP	SH
		C1		REVISED PER ECR-21-002578	02MAR2021	SZ	SZ



2198325-1
SCALE 3:1



2198325-5
SCALE 3:1

- MATERIALS:
 CAGE ASSEMBLY - NICKEL-SILVER ALLOY PER ASTM B 122
 CONNECTOR HOUSING - LCP, BLACK, UL 94V-O RATED
 CONNECTOR HOUSING SHIELD - COPPER ALLOY
 CHICKLET - LCP, BLACK, UL 94V-O RATED
 CHICKLET ALIGNMENT CLIP - PBT
 CONTACT - COPPER ALLOY
 EMI GASKET - ELASTOMERIC
 GASKET FLANGE - STAINLESS STEEL
 EMI SPRINGS - PHOSPHOR BRONZE PER ASTM B 103,
 0.8µm MIN TIN PER ASTM B 545
 LIGHT PIPE - POLYCARBONATE
 LIGHT PIPE HOUSING - ZINC ALLOY

- CONTACT FINISH:
 CONFORMS TO THE REQUIREMENTS OF PRODUCT SPECIFICATION 108-2481, BASED ON EIA/ECA-364-1000.01A, CONTROLLED ENVIRONMENT APPLICATIONS) ON MATING INTERFACE, TIN ON NEEDLE EYE

- PCB MINIMUM THICKNESS = 1.5mm

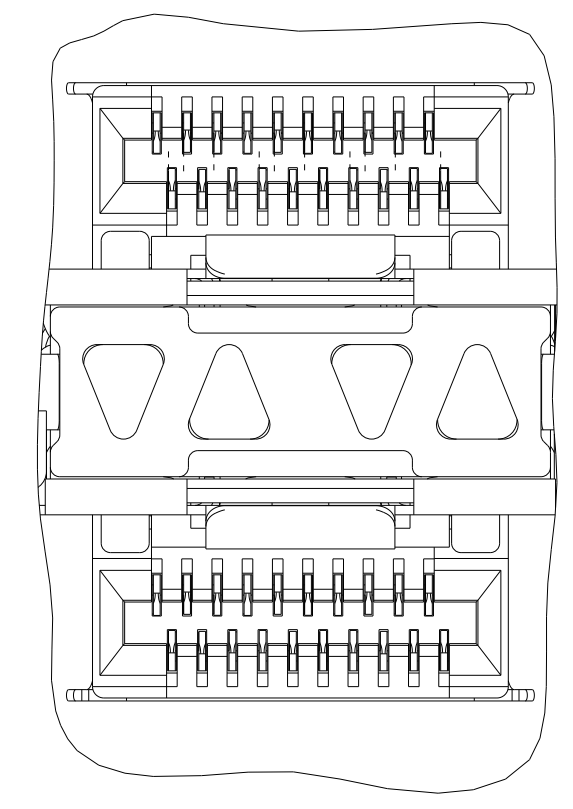
△ FOR HOLE SIZE AND PLATINGS, SEE APPLICATION SPECIFICATION 114-13319

△ LIGHT PIPE PAD LAYOUT IS FOR 0805 LOW PROFILE LED PACKAGE WITH A HEIGHT OF 0.8mm

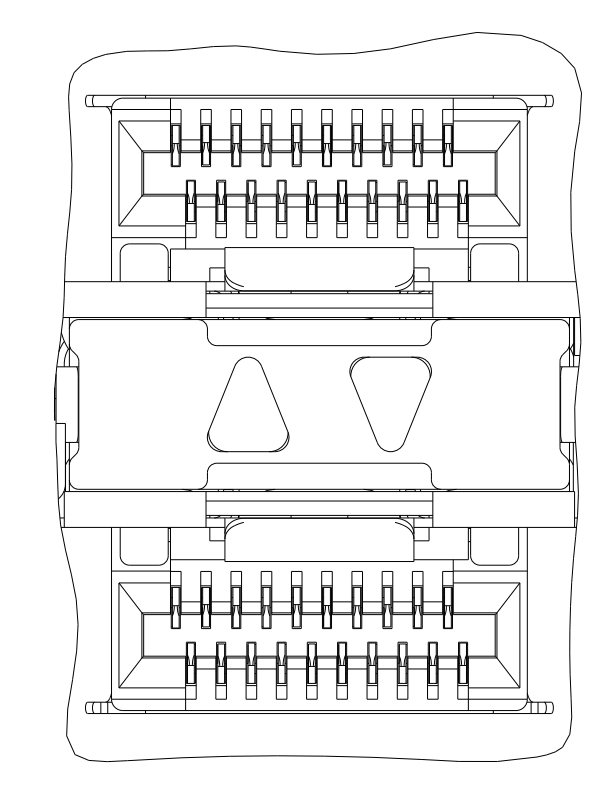
△ DIMENSIONS APPLY FOR EMI SPRINGS ONLY

△ THE ENTIRE AREA OF THE CONNECTOR FOOTPRINT, INDICATED BY THE DASHED LINE, TO BE CONSIDERED THE KEEPOUT AREA FOR COMPONENTS AND SIGNAL TRACES, TOP SIDE ONLY, TOP SIDE TRACES ALLOWED WITHIN CONNECTOR HOLE PATTERN

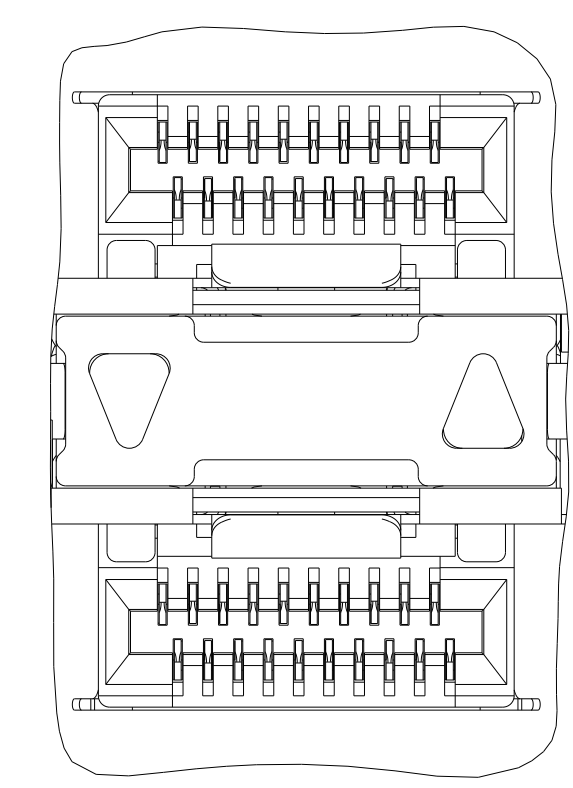
△ AIRFLOW ENHANCE VERSION



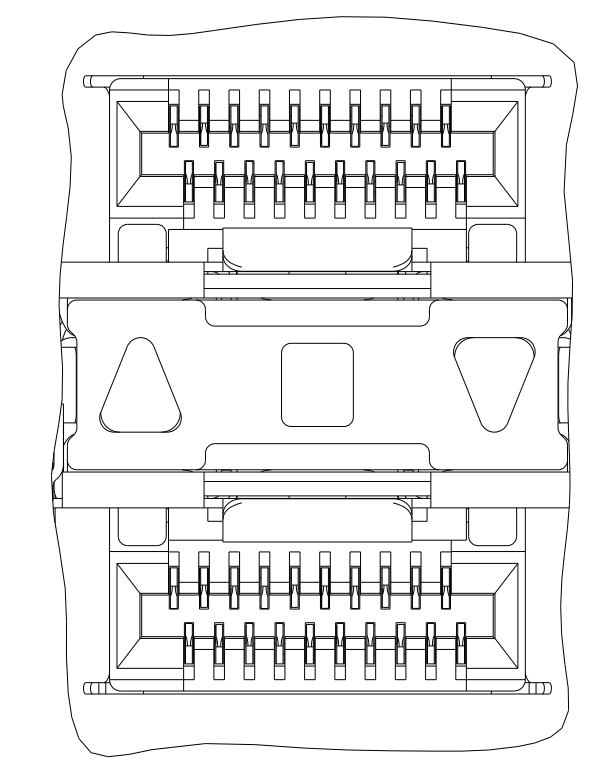
INNER/OUTER LIGHT PIPES
2198325-2, 2198325-6
SCALE 5:1



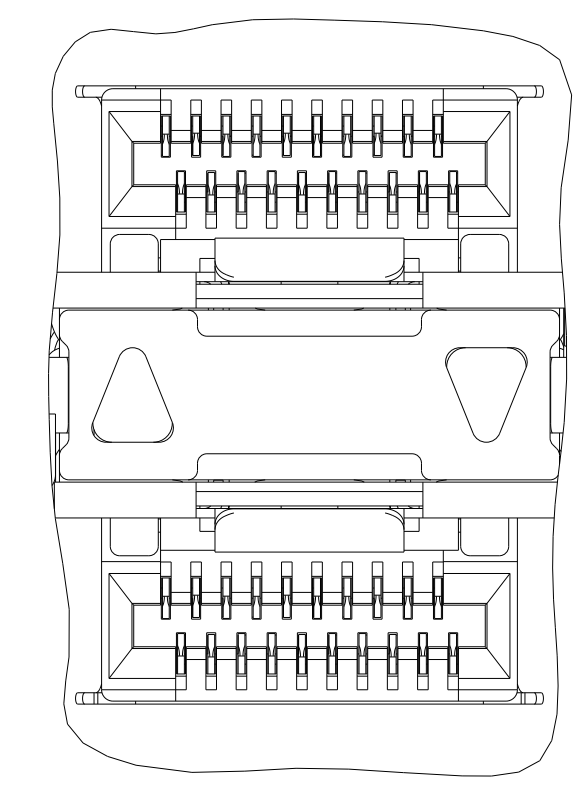
INNER LIGHT PIPES
2198325-3, 2198325-7
SCALE 5:1



OUTER LIGHT PIPES
2198325-4, 2198325-8
SCALE 5:1



CENTER/REVERSED OUTER LIGHT PIPES
1-2198325-7, 1-2198325-9
SCALE 5:1



REVERSED OUTER LIGHT PIPES
1-2198325-8, 2-2198325-0
SCALE 5:1

△	31	EMI SPRINGS	REVERSE OUTER	3-2198325-3
△	31	EMI SPRINGS	CENTER/REVERSE OUTER	3-2198325-2
	31	EMI SPRINGS	CENTER/REVERSE OUTER	3-2198325-1
	31	EMI SPRINGS	NONE	3-2198325-0
	31	EMI SPRINGS	REVERSED OUTER	2-2198325-0
			CENTER/REVERSED OUTER	1-2198325-9
	33.75	EMI GASKET	REVERSED OUTER	1-2198325-8
			CENTER/REVERSED OUTER	1-2198325-7
	31	EMI SPRINGS	OUTER	2198325-8
			INNER	2198325-7
			INNER/OUTER	2198325-6
			NONE	2198325-5
	33.75	EMI GASKET	OUTER	2198325-4
			INNER	2198325-3
			INNER/OUTER	2198325-2
			NONE	2198325-1
(E)	CAGE TYPE		LIGHT PIPE CONFIGURATION	PART NUMBER

THIS DRAWING IS A CONTROLLED DOCUMENT.

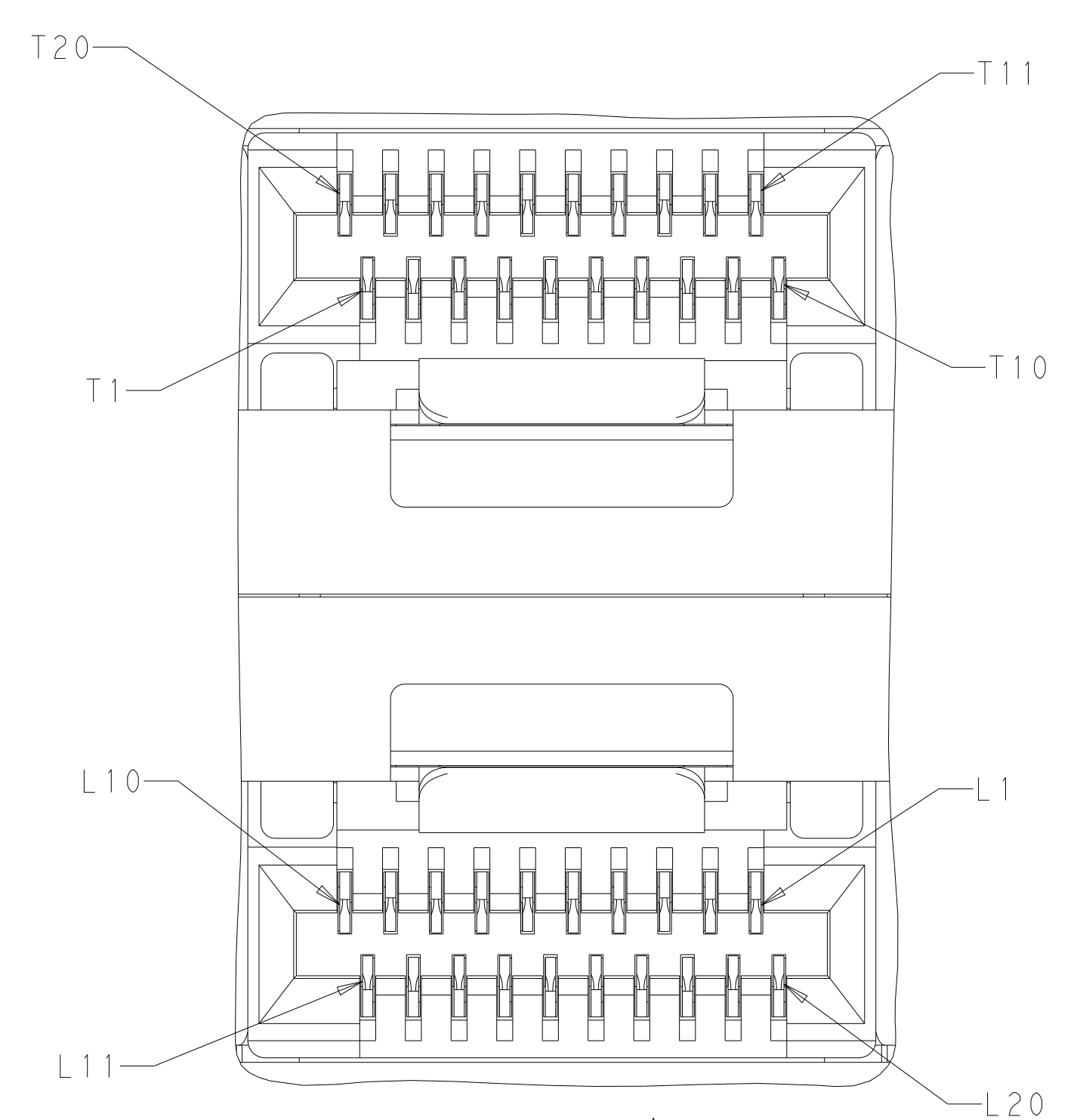
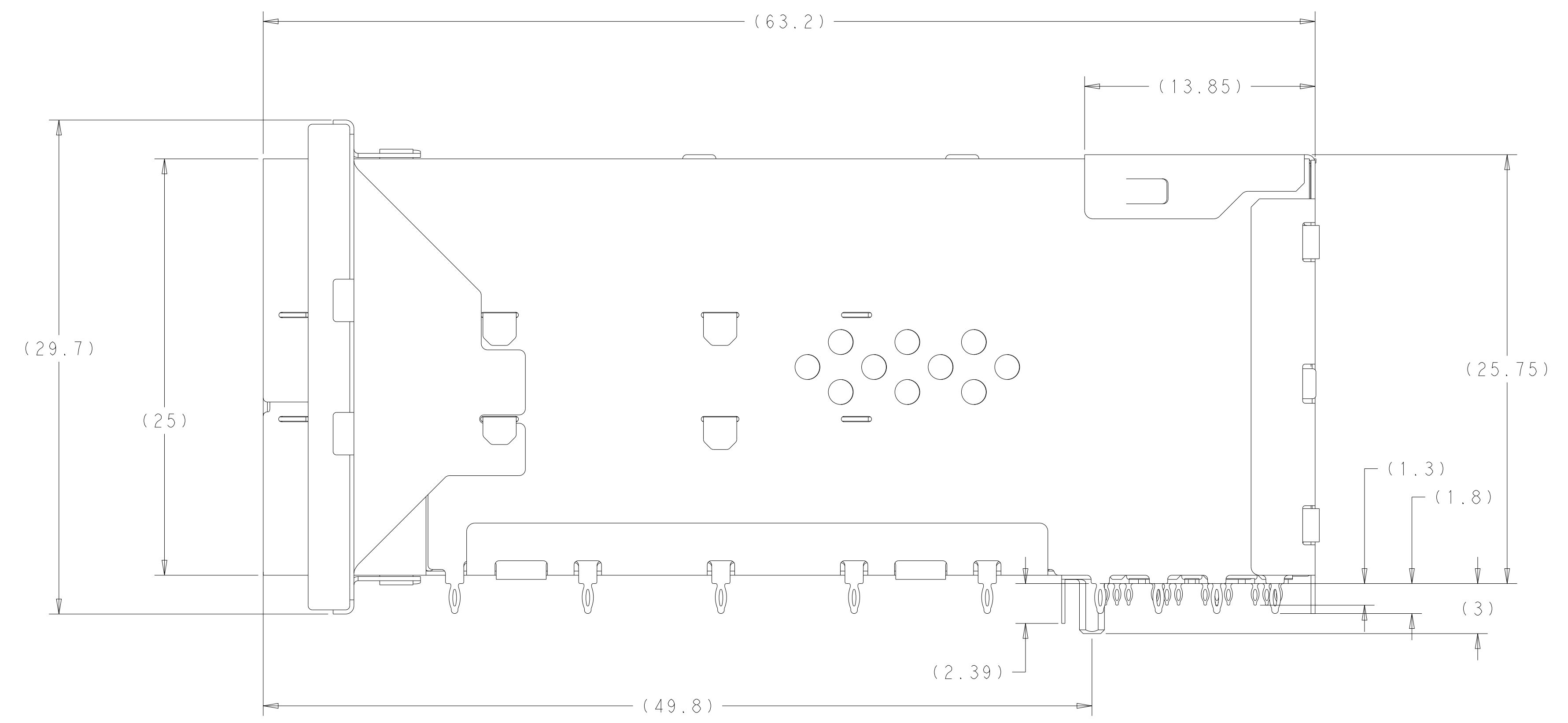
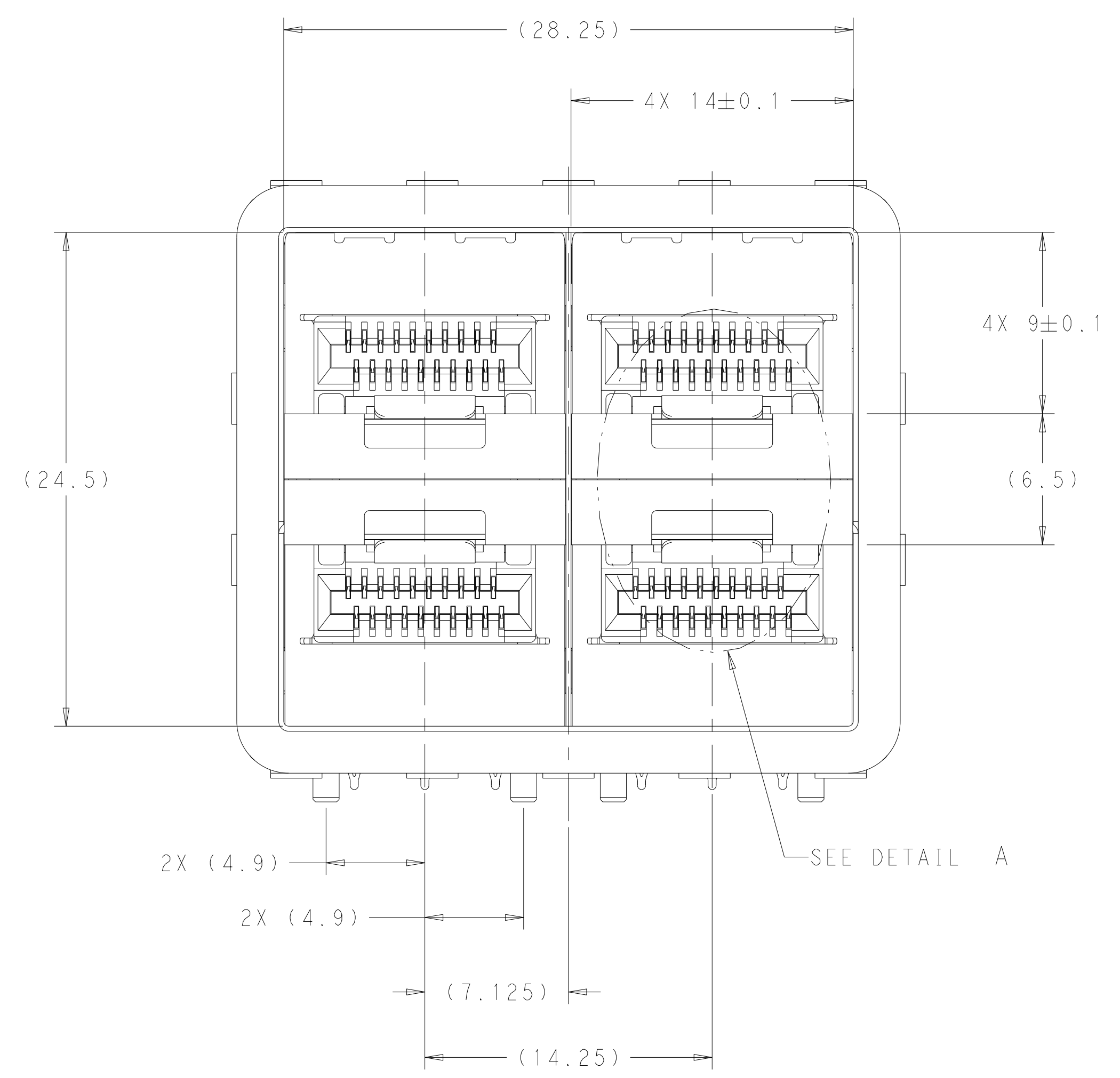
OWN: M.E. CONNER 06OCT2011
 CHK: M.D. MORRISON 06OCT2011
 APVD: M.D. MORRISON 07OCT2011

TE Connectivity

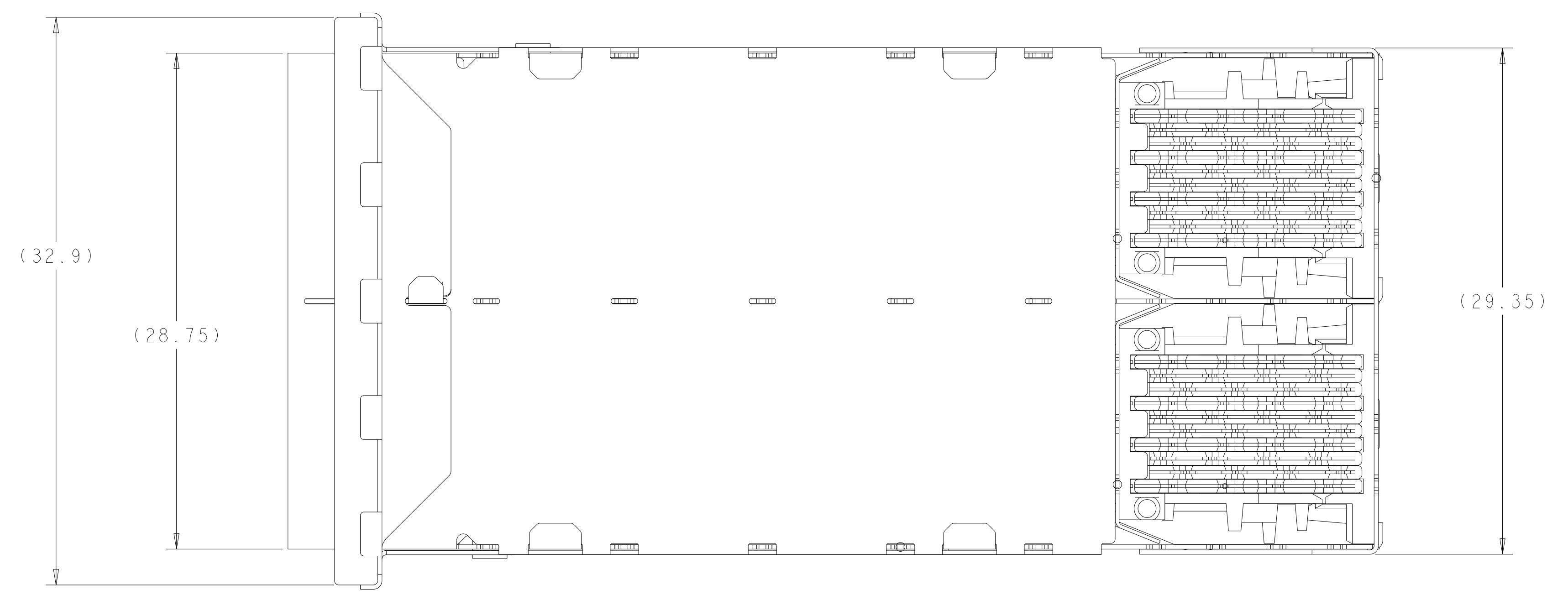
RECEPTACLE ASSEMBLY, 2X2, STACKED, zSFP+

SIZE: A1 00779 C=2198325
 SCALE: 4:1 SHEET 1 OF 6 REV: C1

LOC		DIST		REVISIONS				
P	LTN	DATE	DMN	APVD	DESCRIPTION	DATE	DMN	APVD
-	-	-	-	-	SEE SHEET 1	-	-	-



DETAIL A
 2 PLACES
 SCALE 10:1



THIS DRAWING IS A CONTROLLED DOCUMENT. OWN M.E. CONNER 06OCT2011
 CHK M.D. MORRISON 06OCT2011
 APVD M.D. MORRISON 07OCT2011

DIMENSIONS: mm
 TOLERANCES UNLESS OTHERWISE SPECIFIED:
 0 PLC ±
 1 PLC ±
 2 PLC ±
 3 PLC ±
 4 PLC ±
 ANGLES ±
 FINISH ±

MATERIAL SEE NOTES
 FINISH SEE NOTES

Customer Drawing

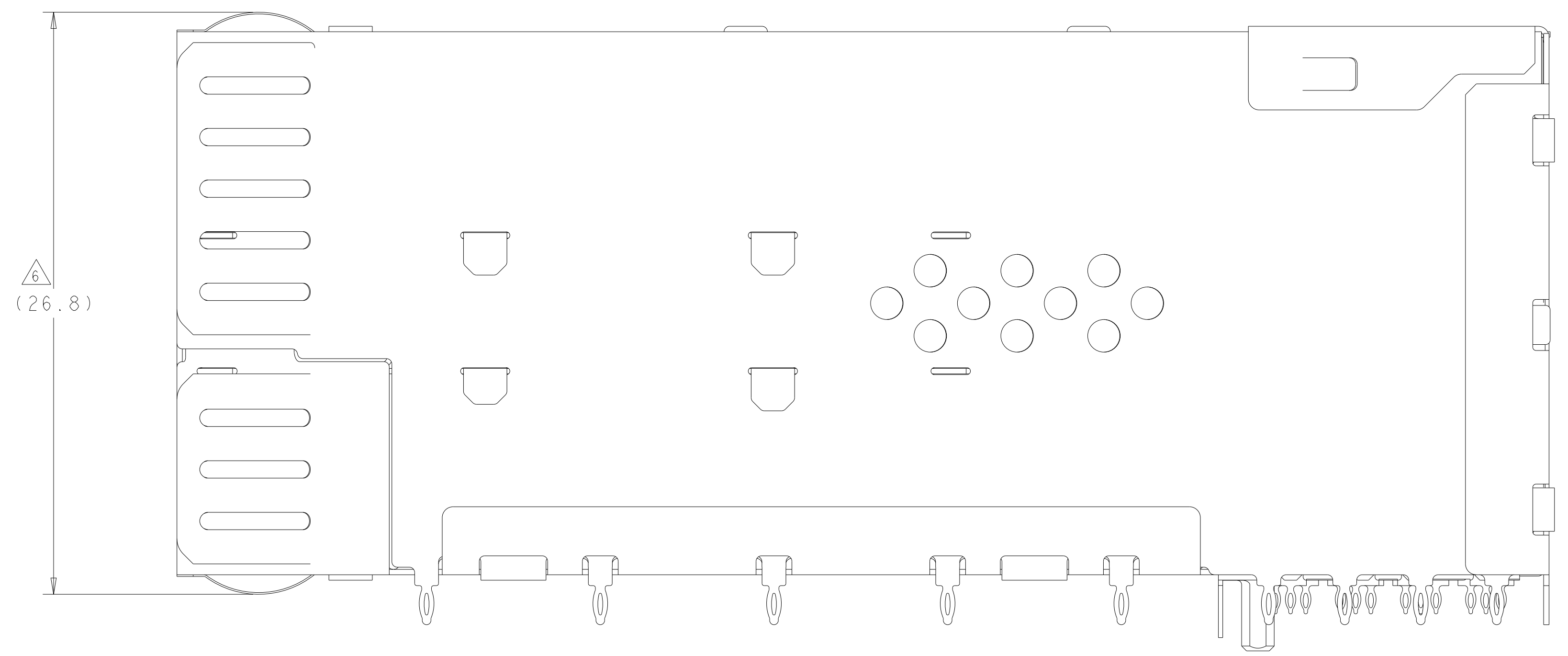
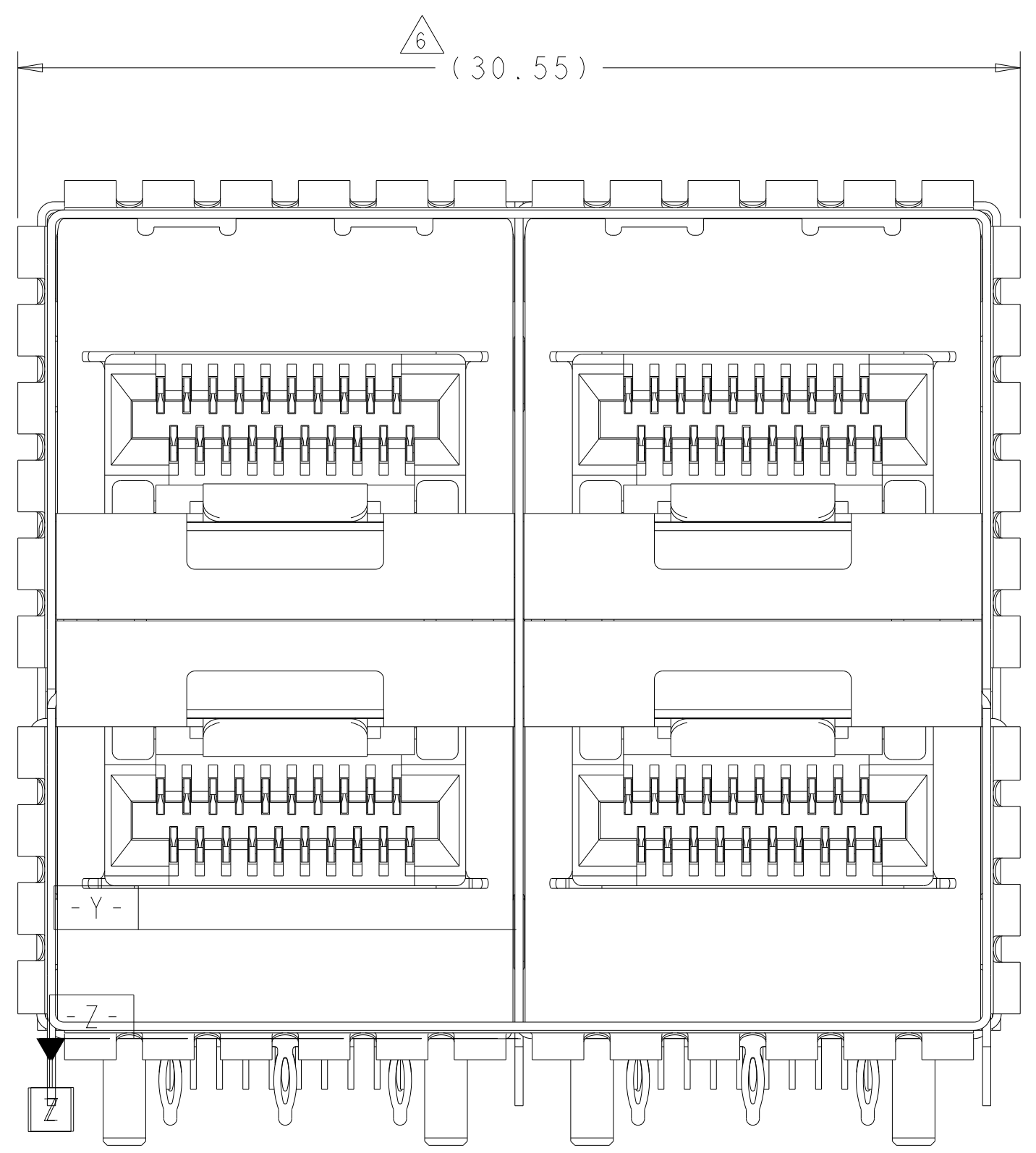
NAME RECEPTACLE ASSEMBLY, 2X2, STACKED, zSFP+
 PRODUCT SPEC 108-2481
 APPLICATION SPEC 114-13319

SIZE CAGE CODE DRAWING NO RESTRICTED TO
 A100779 C=2198325

SCALE 5:1 SHEET 2 OF 6 REV C1

TE Connectivity

LOC	DIST	REVISIONS					
GP	00	P	LTN	DESCRIPTION	DATE	DWN	APVD
		-		SEE SHEET 1	-	-	-



2198325-5 THRU 2198325-8, 1-2198325-9, 2-2198325-0
 EMI SPRINGS ONLY
 SCALE 6:1

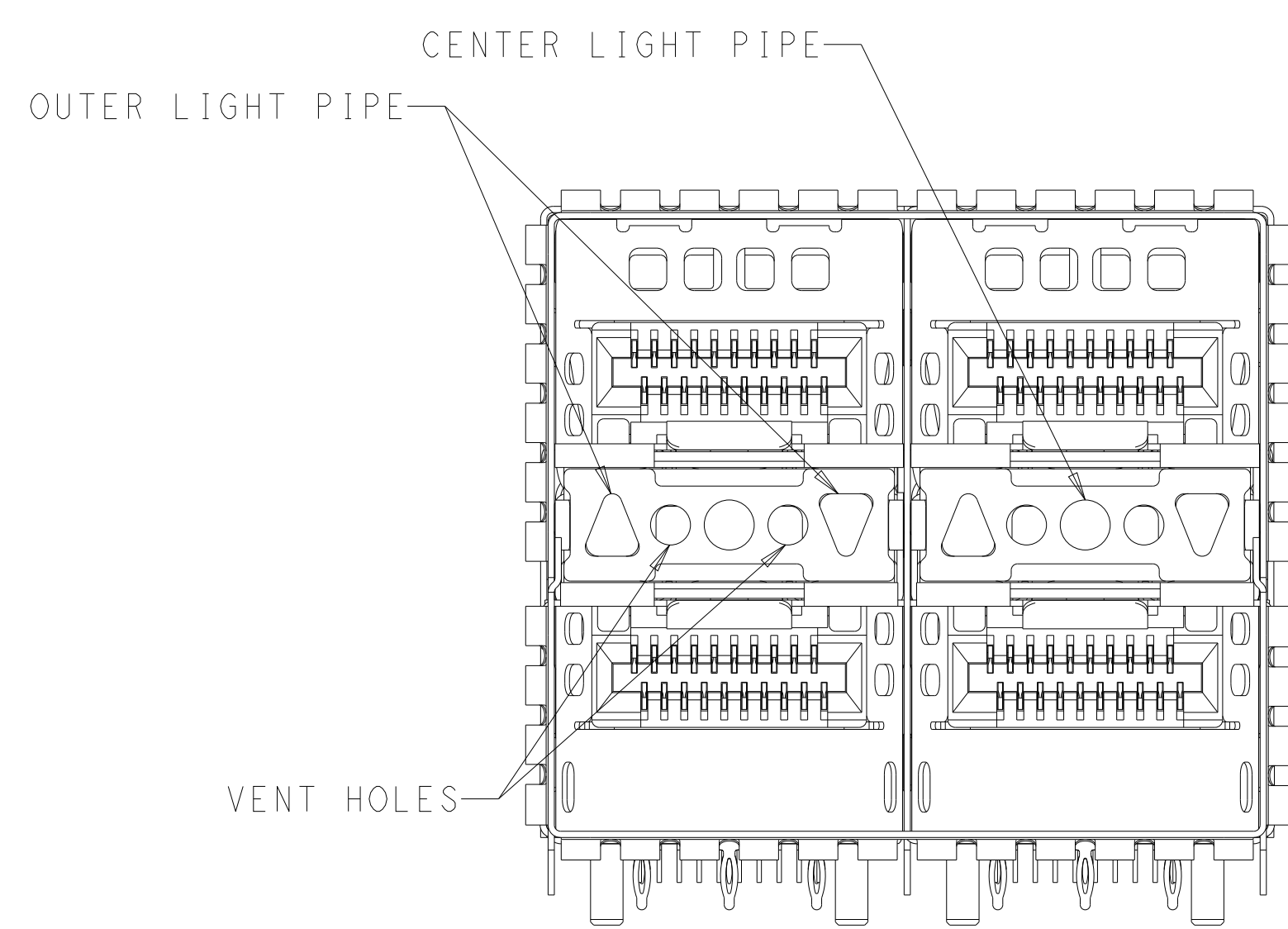
THIS DRAWING IS A CONTROLLED DOCUMENT.

DIMENSIONS:	TOLERANCES UNLESS OTHERWISE SPECIFIED:	DWN M.E. CONNER 06OCT2011	
mm	0 PLC ± 1 PLC ± 2 PLC ± 3 PLC ± 4 PLC ± ANGLES ±	CHK M.D. MORRISON 06OCT2011	
	FINISH SEE NOTES	APVD M.D. MORRISON 07OCT2011	NAME RECEPTACLE ASSEMBLY, 2X2, STACKED, zSFP+
		PRODUCT SPEC 108-2481	SIZE CAGE CODE DRAWING NO RESTRICTED TO
MATERIAL SEE NOTES		APPLICATION SPEC 114-13319	A100779C=2198325
		WEIGHT -	SCALE 4:1 SHEET 3 OF 6 REV C1

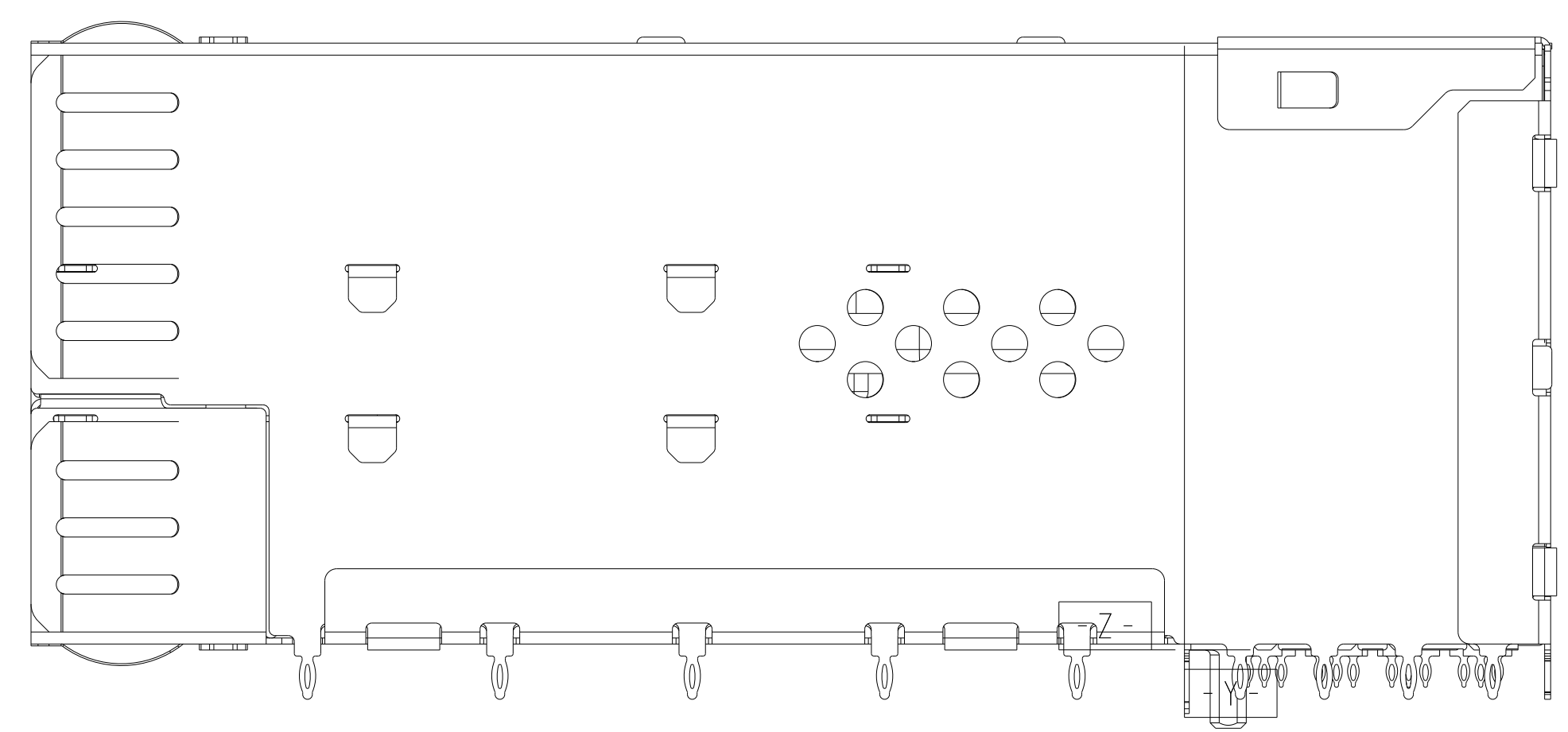
Customer Drawing

LOC	DIST	REVISIONS					
GP	00	P	LTN	DESCRIPTION	DATE	DMN	APVD
		-		SEE SHEET 1			

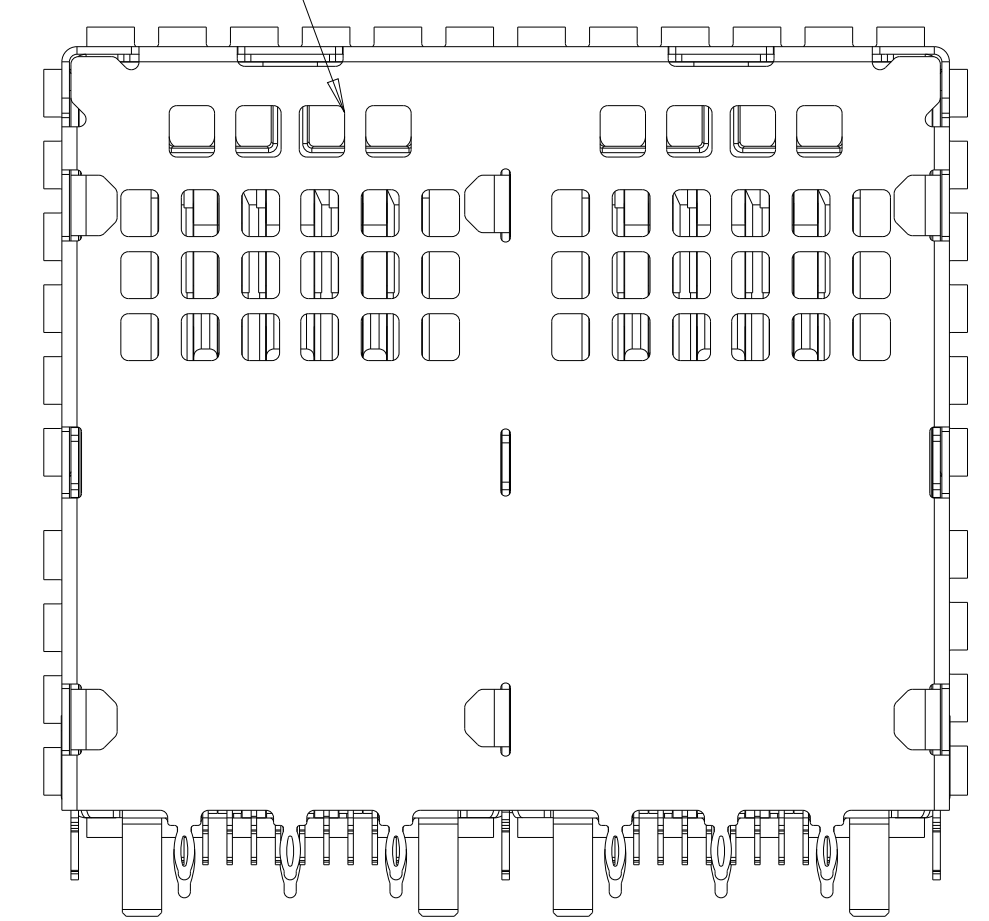
3-2198325-2 AIR FLOW ENHANCE VERSION UNMARKED DIMENSION SAME AS 2198325-5



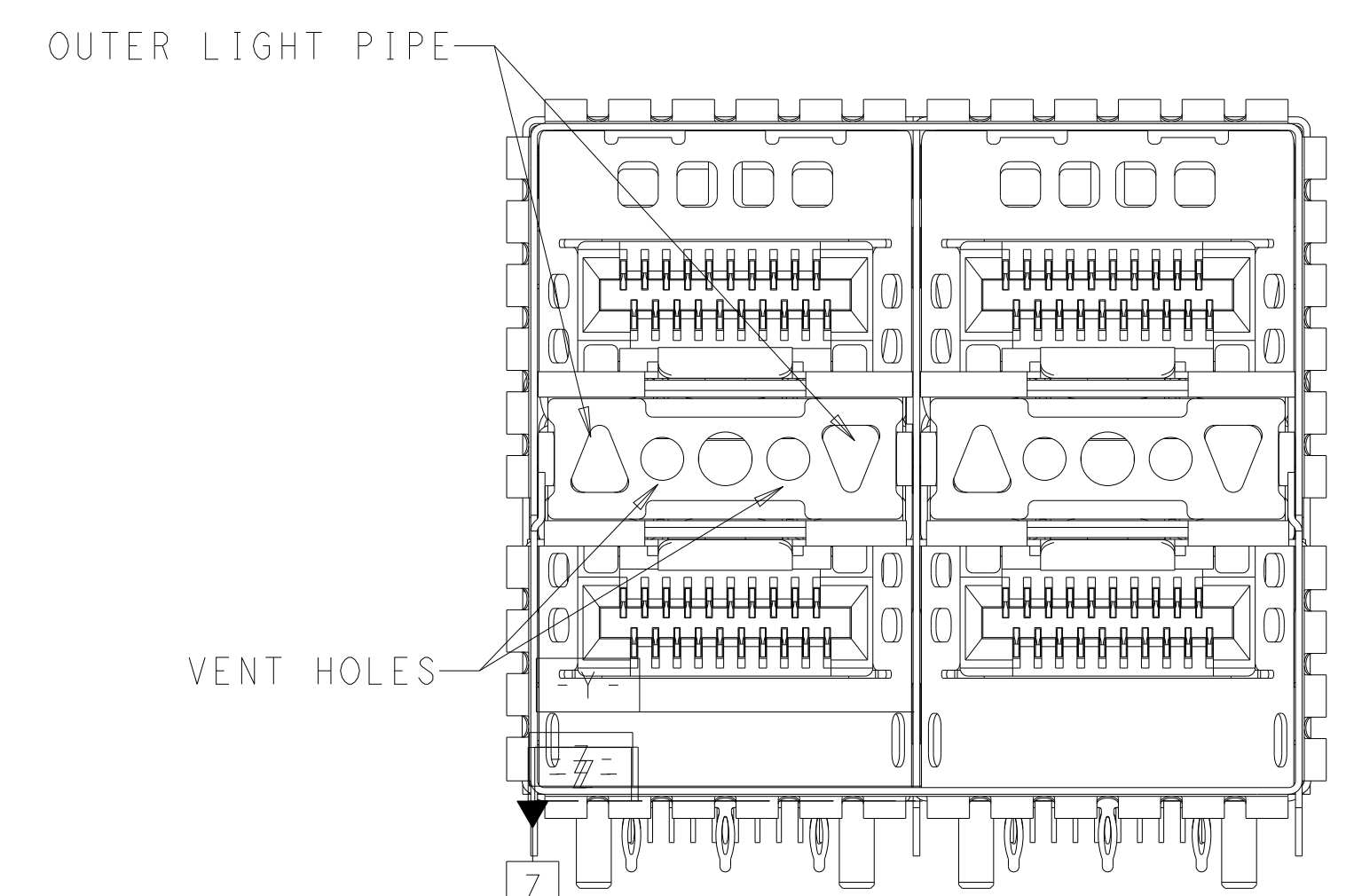
SCALE 4:1



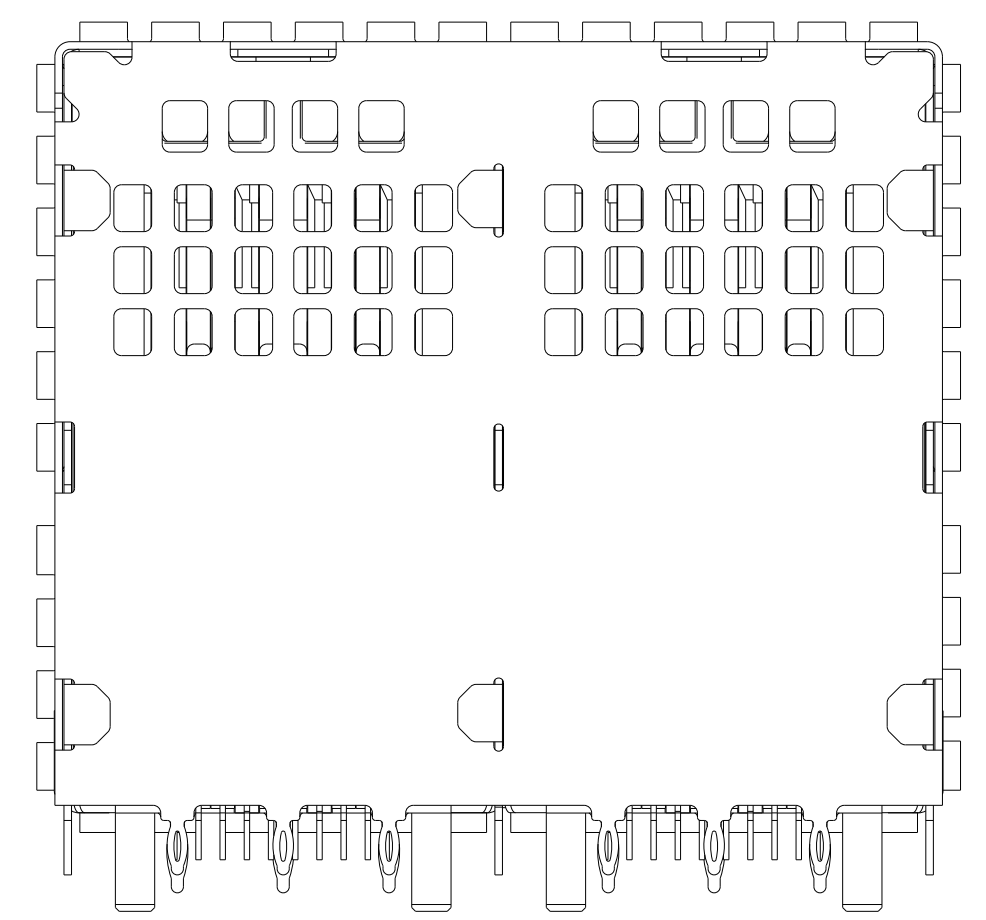
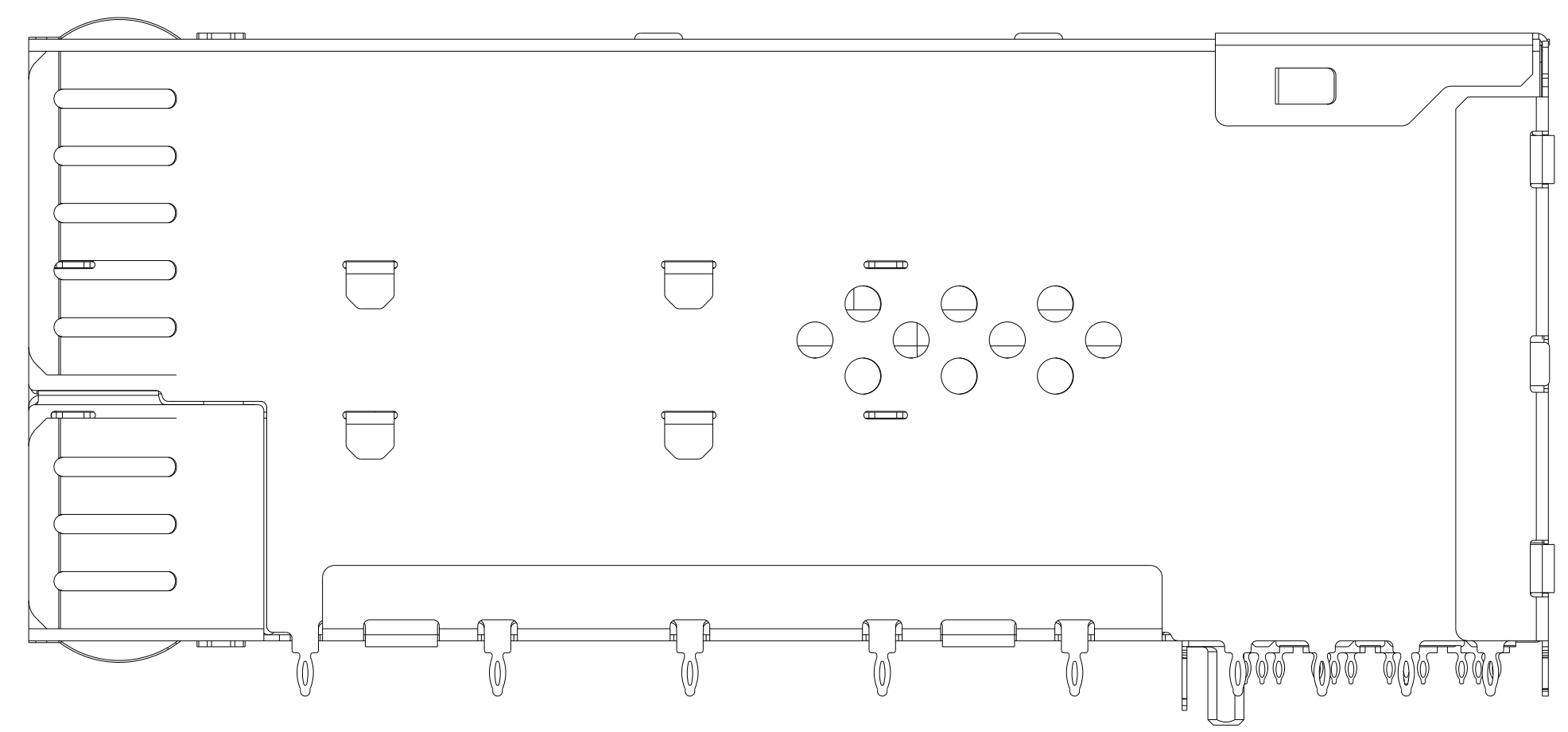
VENT HOLES PATTERN



3-2198325-3 AIR FLOW ENHANCE VERSION UNMARKED DIMENSION SAME AS 2198325-5

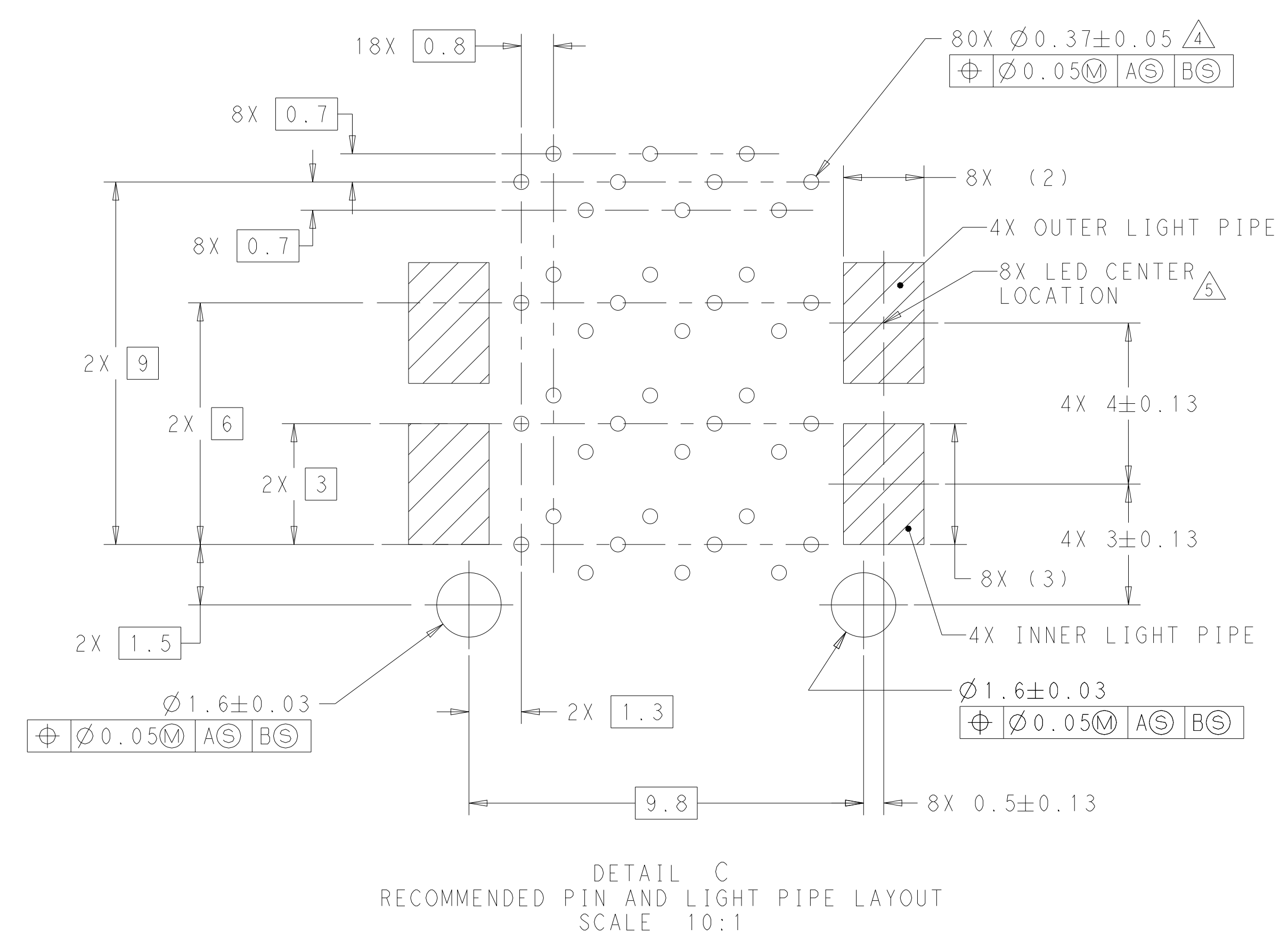
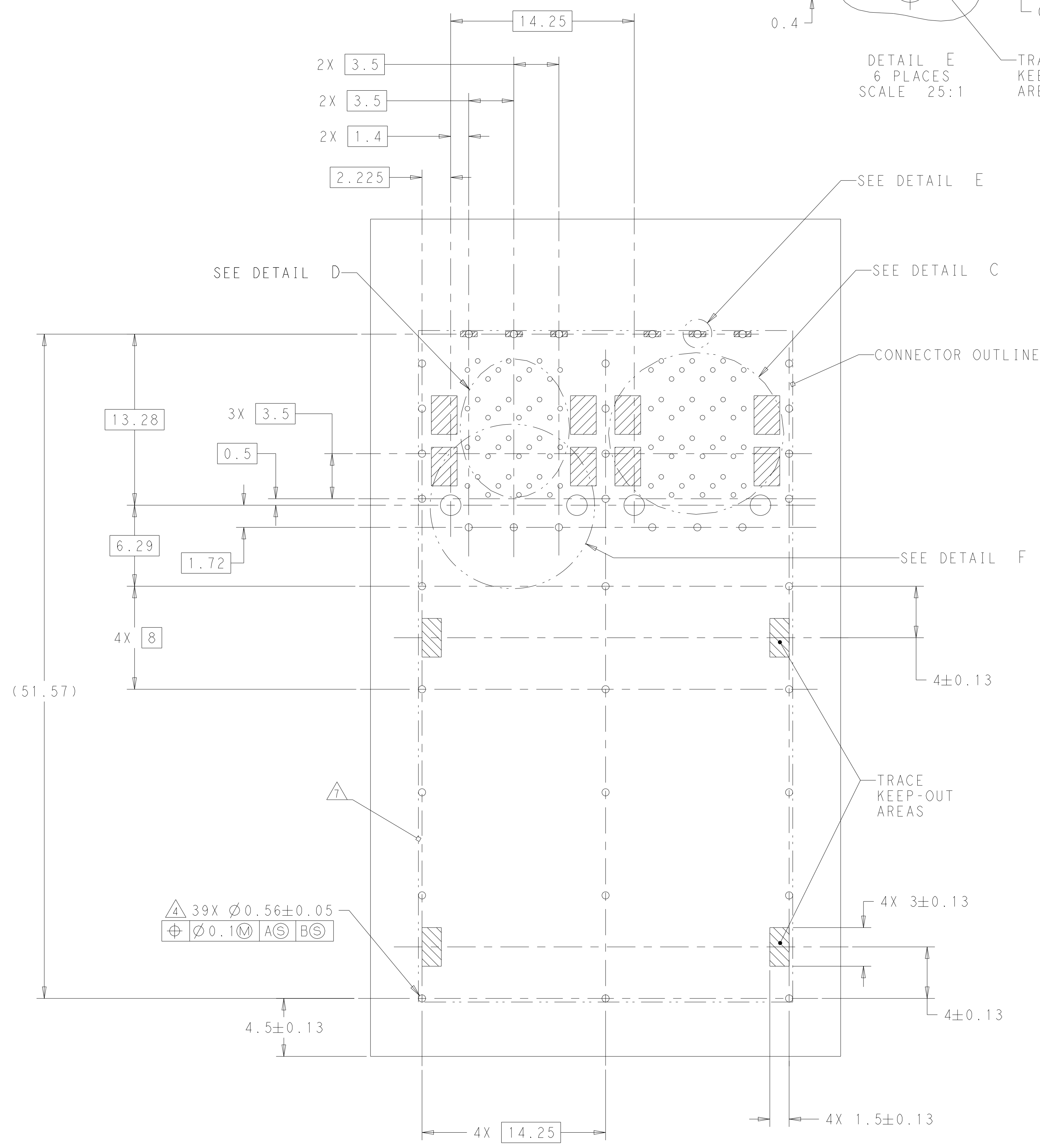
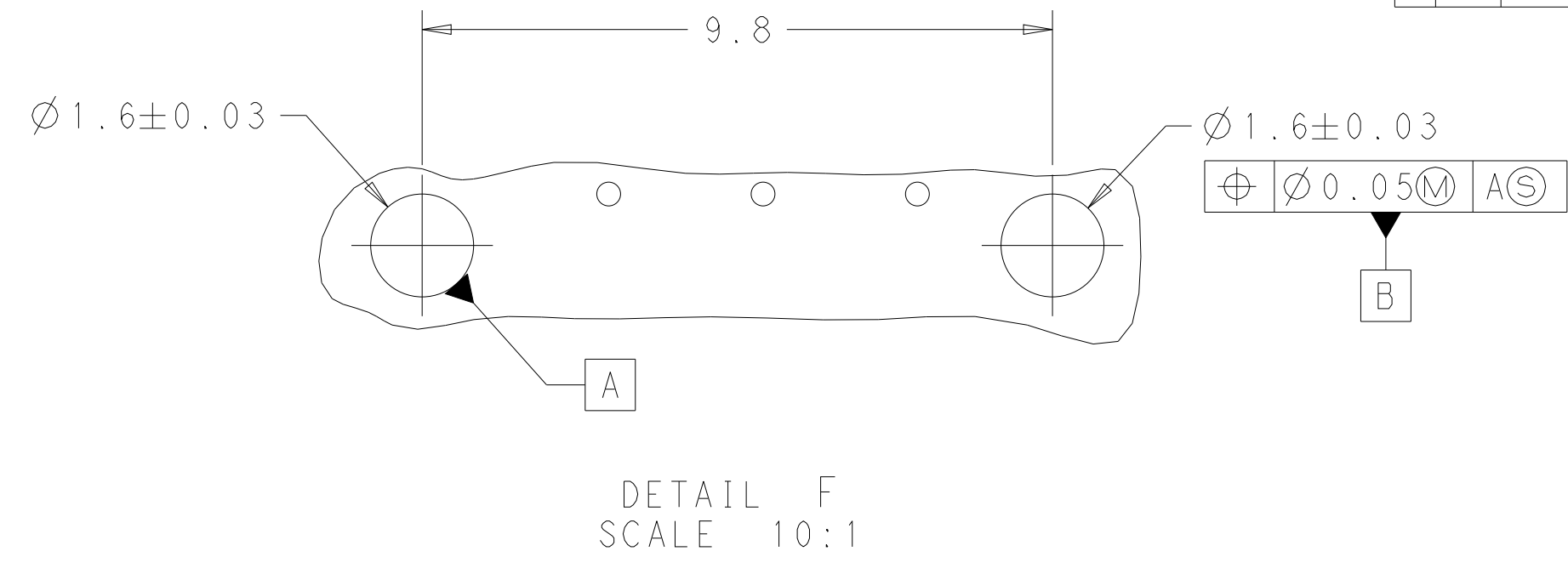
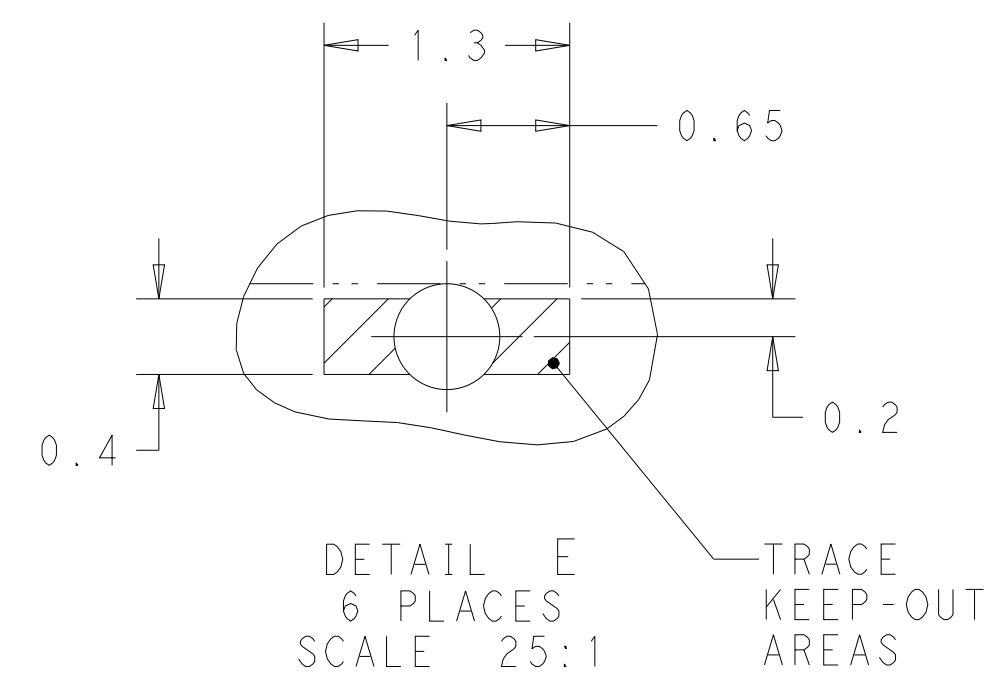


SCALE 4:1



THIS DRAWING IS A CONTROLLED DOCUMENT.		DMN M.E. CONNER 06OCT2011	TE Connectivity
		CHK M.D. MORRISON 06OCT2011	
DIMENSIONS:		APVD M.D. MORRISON 07OCT2011	NAME RECEPTACLE ASSEMBLY, 2X2, STACKED, zSFP+
mm		PRODUCT SPEC	
0 PLC ± 1 PLC ± 2 PLC ± 3 PLC ± 4 PLC ± ANGLES ± FINISH ±		TOLERANCES UNLESS OTHERWISE SPECIFIED: 108-2481 APPLICATION SPEC 114-13319	SIZE CAGE CODE DRAWING NO A100779C=2198325
MATERIAL SEE NOTES		WEIGHT	RESTRICTED TO
		Customer Drawing	SCALE 4:1 SHEET 4 OF 6 REV C1

LOC		DIST		REVISIONS			
GP	00	P	LTN	DESCRIPTION	DATE	DMN	APVD
		-		SEE SHEET 1			



THIS DRAWING IS A CONTROLLED DOCUMENT.		DMN: M.E. CONNER 06OCT2011	TE Connectivity
DIMENSIONS: mm		CHK: M.D. MORRISON 06OCT2011	
TOLERANCES UNLESS OTHERWISE SPECIFIED:		APVD: M.D. MORRISON 07OCT2011	NAME: RECEPTACLE ASSEMBLY, 2X2, STACKED, zSFP+
0 PLC ±	1 PLC ±	PRODUCT SPEC 108-2481	SIZE: CAGE CODE DRAWING NO. RESTRICTED TO
2 PLC ±	3 PLC ±	APPLICATION SPEC 114-13319	A100779C=2198325
4 PLC ±	ANGLES ±	WEIGHT	SCALE 4:1 SHEET 5 OF 6 REV C1
MATERIAL: SEE NOTES	FINISH: SEE NOTES	Customer Drawing	

LOC	DIST	REVISIONS					
GP	00	P	LTN	DESCRIPTION	DATE	DNW	APVD
		-		SEE SHEET 1	-	-	-

T19 ○ T16 ○ T13 ○
 T20 ○ T17 ○ T14 ○ T11 ○
 T18 ○ T15 ○ T12 ○

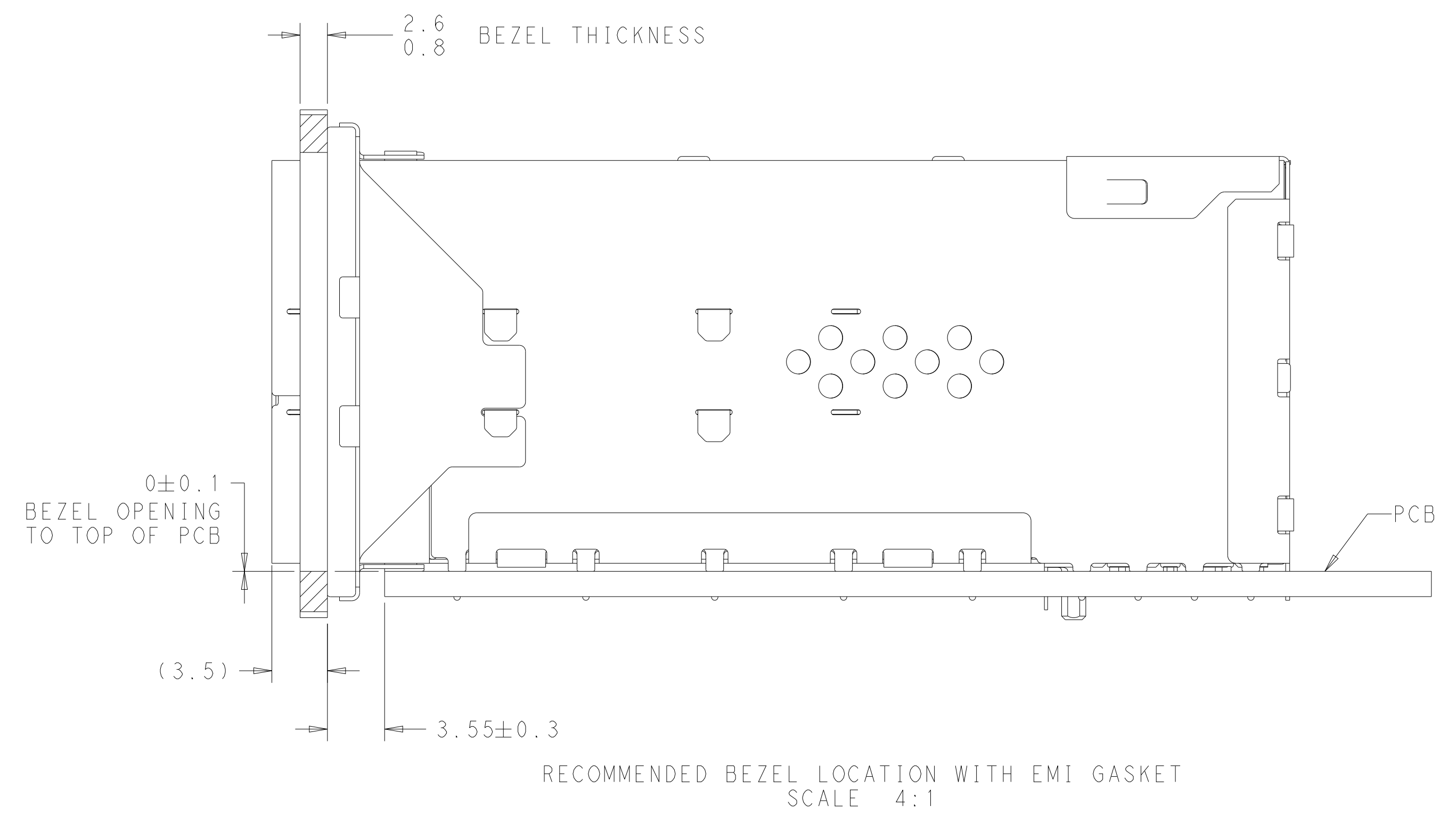
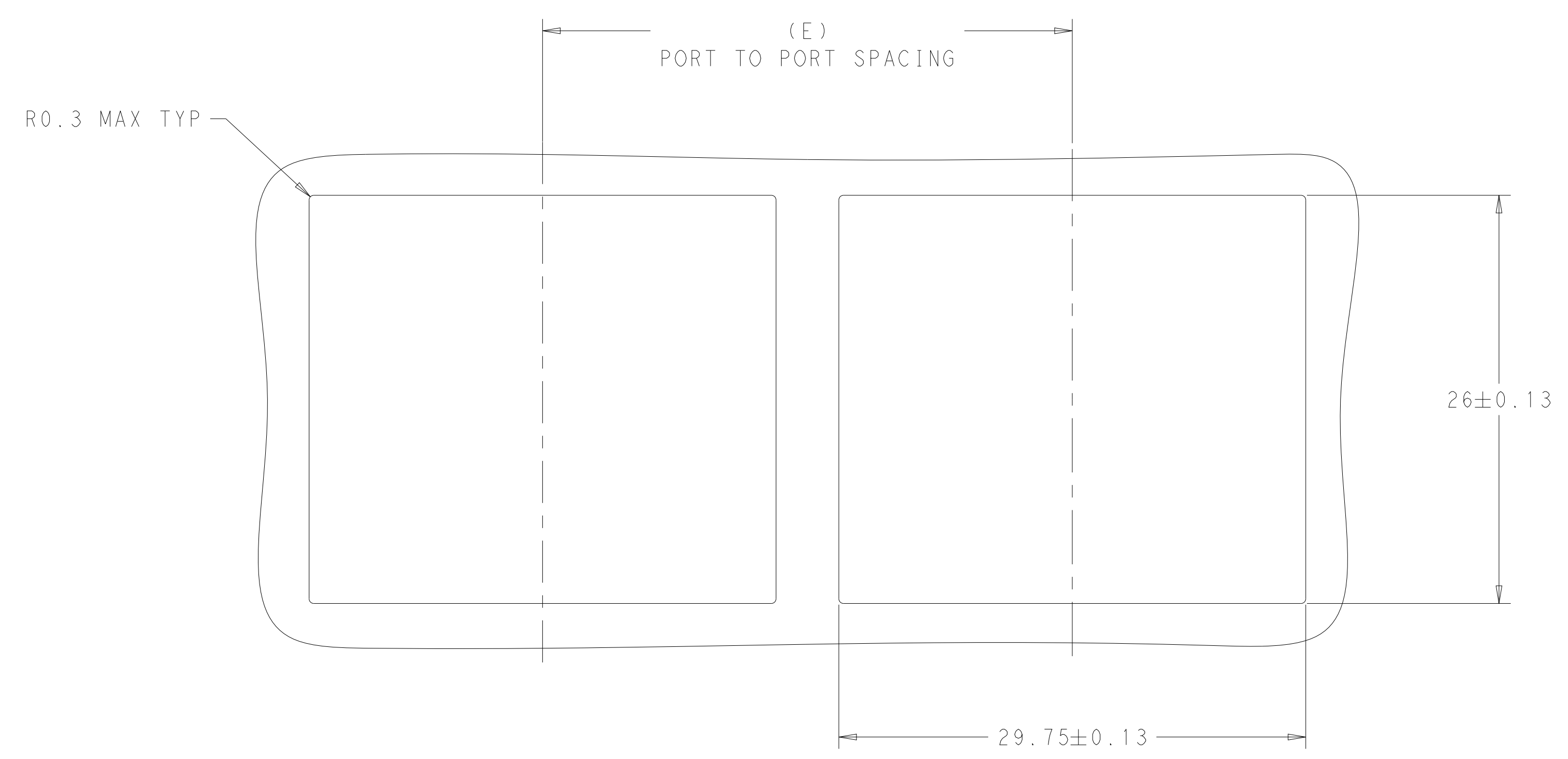
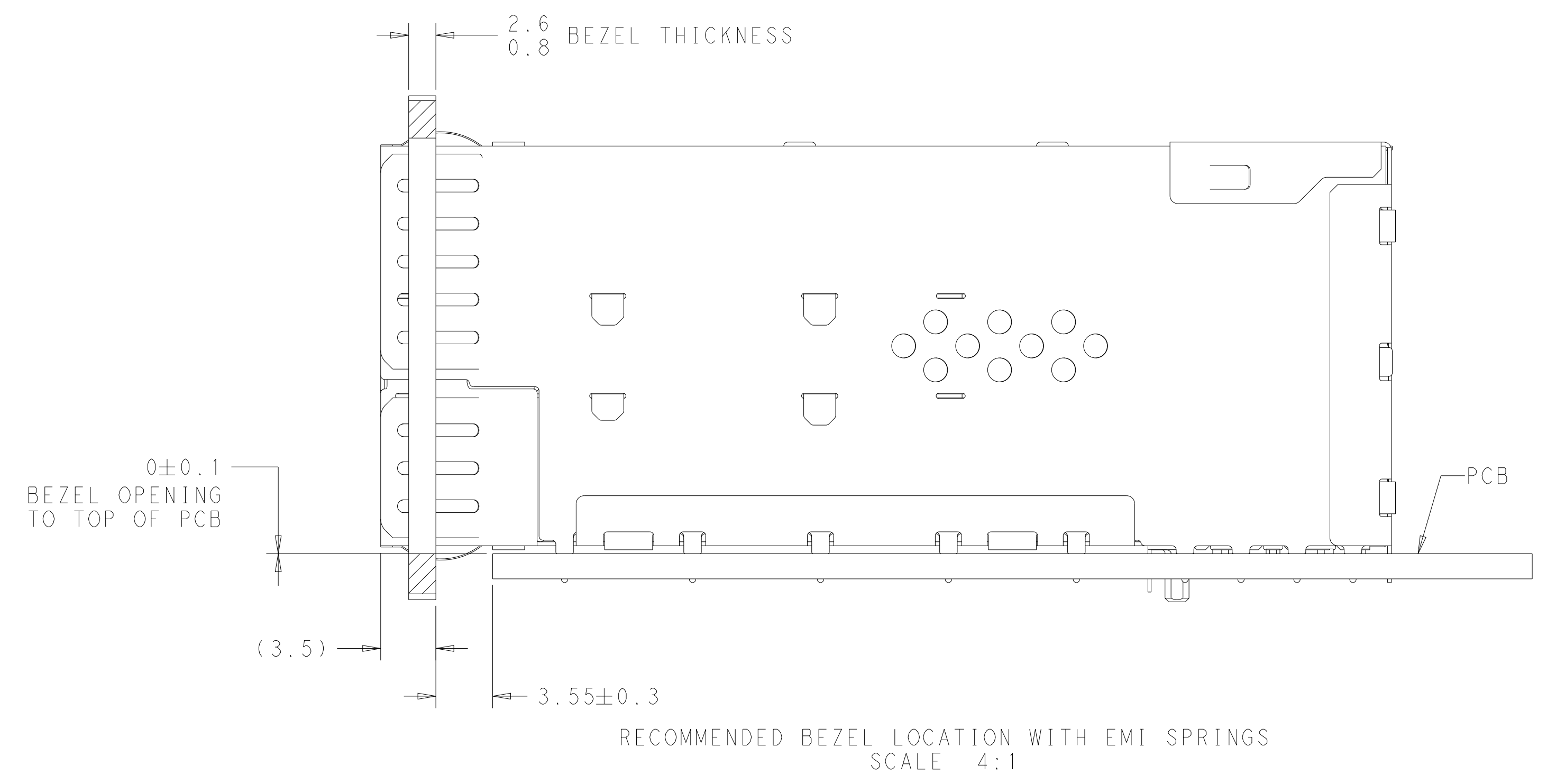
T2 ○ T5 ○ T8 ○
 T1 ○ T4 ○ T7 ○ T10 ○
 T3 ○ T6 ○ T9 ○

L9 ○ L6 ○ L3 ○
 L10 ○ L7 ○ L4 ○ L1 ○
 L8 ○ L5 ○ L2 ○

L12 ○ L15 ○ L18 ○
 L11 ○ L14 ○ L17 ○ L20 ○
 L13 ○ L16 ○ L19 ○

PIN MAP LEGEND	
PIN NUMBER	FUNCTION
L1/T1	VEET
L2/T2	TX-FAULT
L3/T3	TX-DISABLE
L4/T4	SDA
L5/T5	SCL
L6/T6	MOD_ABS
L7/T7	RSO
L8/T8	RX_LOS
L9/T9	RS1
L10/T10	VEER
L11/T11	VEER
L12/T12	RD-
L13/T13	RD+
L14/T14	VEER
L15/T15	VCCR
L16/T16	VCCT
L17/T17	VEET
L18/T18	TD+
L19/T19	TD-
L20/T20	VEET

DETAIL D
 PIN MAP
 2 PLACES
 SCALE 15:1



THIS DRAWING IS A CONTROLLED DOCUMENT.		DNW M.E. CONNER 06OCT2011	TE Connectivity
DIMENSIONS: mm		CHK M.D. MORRISON 06OCT2011	
TOLERANCES UNLESS OTHERWISE SPECIFIED:		APVD M.D. MORRISON 07OCT2011	NAME RECEPTACLE ASSEMBLY, 2X2, STACKED, zSFP+
0 PLC ±	1 PLC ±	PRODUCT SPEC 108-2481	SIZE CAGE CODE DRAWING NO RESTRICTED TO
2 PLC ±	3 PLC ±	APPLICATION SPEC 114-13319	A100779C=2198325
4 PLC ±	ANGLES ±	WEIGHT	SCALE 4:1 SHEET 6 OF 6 REV C1
MATERIAL SEE NOTES	FINISH SEE NOTES	Customer Drawing	

X-ON Electronics

Largest Supplier of Electrical and Electronic Components

Click to view similar products for [I/O Connectors](#) category:

Click to view products by [TE Connectivity](#) manufacturer:

Other Similar products are found below :

[571763P](#) [72.250.1628.2](#) [72.250.2428.2](#) [74720-0505](#) [76.350.0729.0](#) [76871-1403](#) [FCN-244F080-G/1](#) [FCN-260A9920](#) [MP-5T180MUNNA-005](#)
[PCR-E36PM](#) [PCS-XE26MA+](#) [G38A71314B](#) [1571250010](#) [157-22500-3](#) [MS3471L14-19P L/C](#) [91-569786-35H](#) [172501-4002](#) [172501-6002](#)
[FCN-260C008-A/L0](#) [FCN-260C024-AL0](#) [FCN-261Z008](#) [2000314-1](#) [200331-1](#) [PCR-E36FC+](#) [PCS-E28FS+](#) [PCS-XE26SLFD+](#) [PCS-](#)
[XE26SLFDT+](#) [G730VID08BDC24](#) [U90B2054081210](#) [UE86K842720321](#) [38113800006](#) [DP3AR020WQ1R200](#) [Z4.102.0680.0](#) [500-1040](#)
[500-1052](#) [500-1054](#) [ZP-4008-66L](#) [0709821002](#) [10-565995-597N](#) [DX40-20P\(55\)](#) [5554841-1](#) [U90B3054061110](#) [U65-E04-4020](#)
[ZPF00000000097891](#) [557-262M2-06C](#) [747360449](#) [10099439-003C-TRLF](#) [10137239-0021LF](#) [E9320-001-01](#) [10137239-0011LF](#)