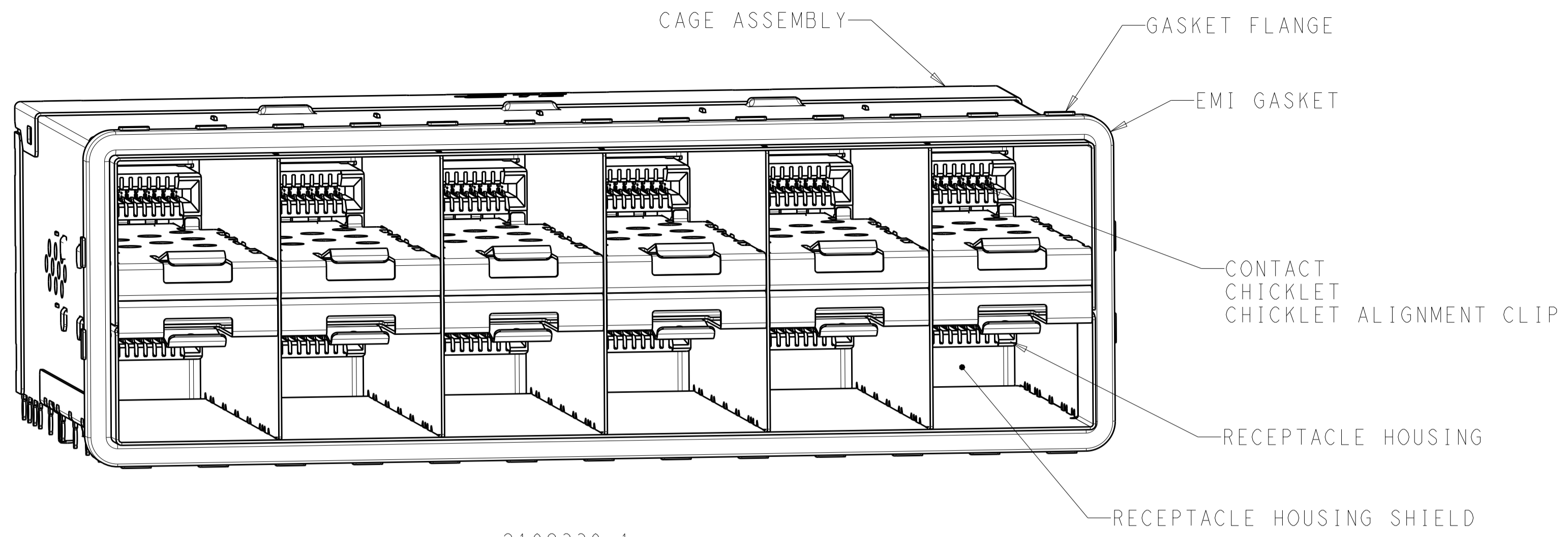
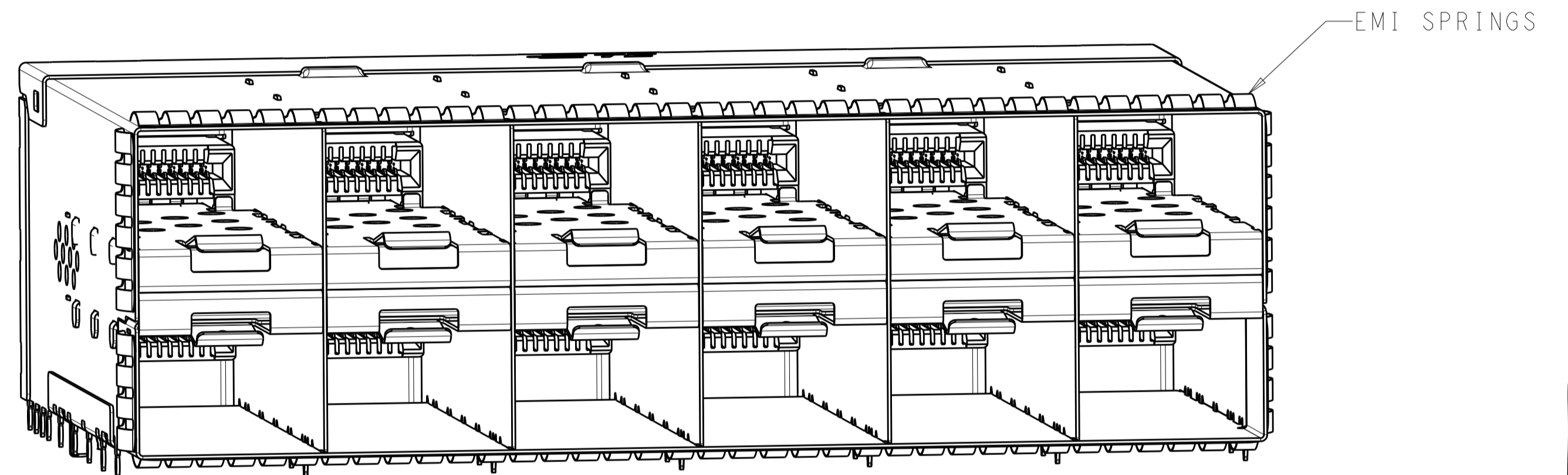


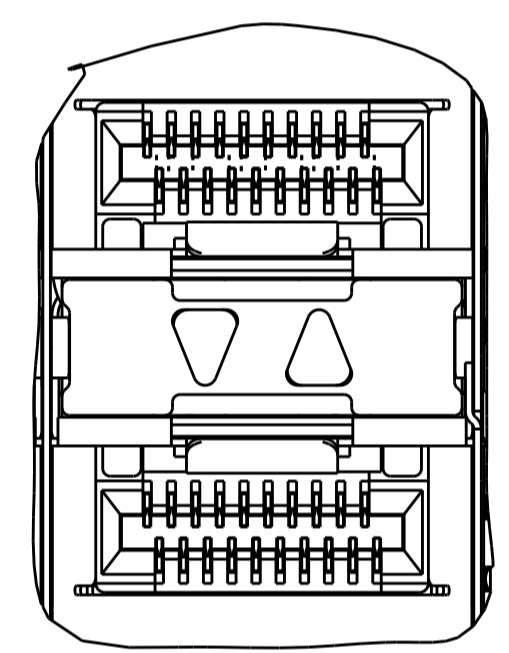
| LOC | | DIST | | REVISIONS | | | |
|-----|-----|----------------------------|-----------|-----------|------|--|--|
| P | LTN | DESCRIPTION | DATE | OWN | APPV | | |
| A | | RELEASED PER ECO-14-008758 | 16JUN2014 | CJV | PAR | | |
| B | | REVISED PER ECO-15-010819 | 10AUG2015 | PP | SH | | |
| B1 | | REVISED PER ECO-16-004263 | 17MAR2016 | KQ | SH | | |
| B2 | | REVISED PER ECO-16-013988 | 05SEP2016 | PP | SH | | |



2198339-1
SCALE 3:1



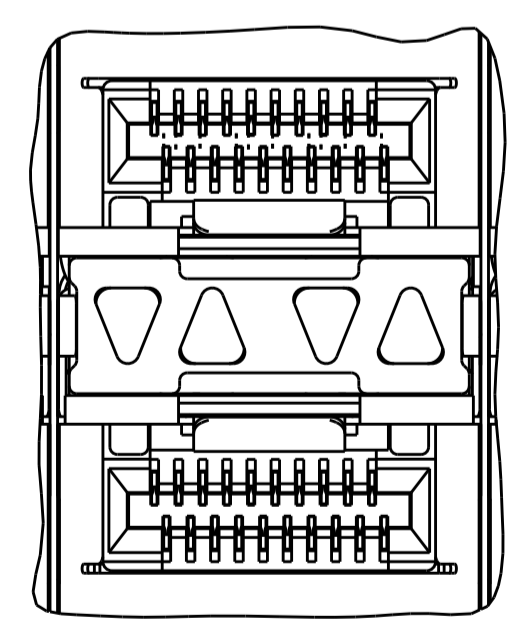
2198339-5
SCALE 3:1



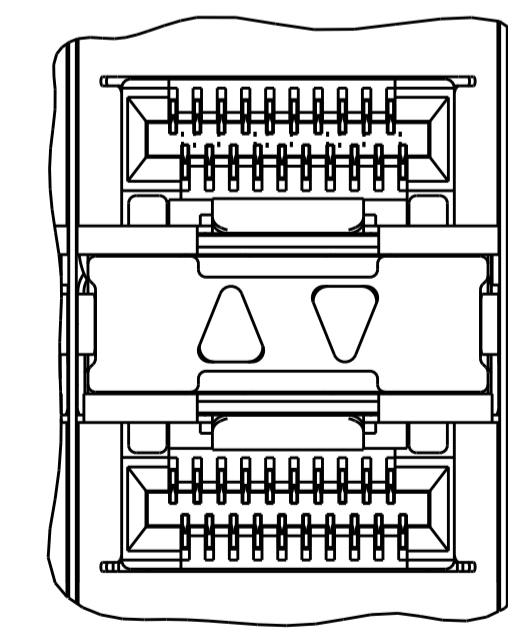
REVERSED INNER LIGHT PIPES
2-2198339-1
SCALE 4:1

- MATERIALS:
 CAGE ASSEMBLY - NICKEL-SILVER ALLOY PER ASTM B 122
 CONNECTOR HOUSING - LCP, BLACK, UL 94V-0 RATED
 CONNECTOR HOUSING SHIELD - COPPER ALLOY
 CHICKLET - LCP, BLACK, UL 94V-0 RATED
 CHICKLET ALIGNMENT CLIP - PBT
 CONTACT - COPPER ALLOY
 EMI GASKET - ELASTOMERIC
 GASKET FLANGE - STAINLESS STEEL
 EMI SPRINGS - PHOSPHOR BRONZE PER ASTM B 103,
 0.8µm MIN TIN PER ASTM B 545
 LIGHT PIPE - POLYCARBONATE
 LIGHT PIPE HOUSING - ZINC ALLOY
 - CONTACT FINISH:
 CONFORMS TO THE REQUIREMENTS OF PRODUCT SPECIFICATION 108-2481, BASED ON EIA/ECA-364-1000.01A. (CONTROLLED ENVIRONMENT APPLICATIONS) ON MATING INTERFACE, TIN ON NEEDLE EYE
 - PCB MINIMUM THICKNESS = 1.5mm
- ⚠ FOR HOLE SIZE AND PLATINGS, SEE APPLICATION SPECIFICATION 114-13319
- ⚠ LIGHT PIPE PAD LAYOUT IS FOR 0805 LOW PROFILE LED PACKAGE WITH A HEIGHT OF 0.8mm
- ⚠ DIMENSIONS APPLY FOR EMI SPRINGS ONLY
- ⚠ THE ENTIRE AREA OF THE CONNECTOR FOOTPRINT, INDICATED BY THE DASHED LINE, TO BE CONSIDERED THE KEEPOUT AREA FOR COMPONENTS AND SIGNAL TRACES, TOP SIDE ONLY, TOP SIDE TRACES ALLOWED WITHIN CONNECTOR HOLE PATTERN

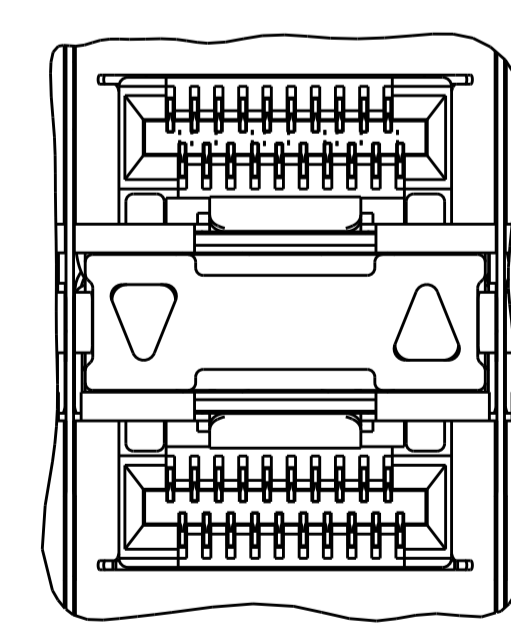
| | | | |
|-------|---------------------------------|--------------------------|-------------|
| 88 | EMI SPRING AIRFLOW ENHANCE TYPE | NONE | 3-2198339-1 |
| 90.75 | EMI GASKET AIRFLOW ENHANCE TYPE | NONE | 3-2198339-0 |
| 88 | EMI SPRINGS | REVERSED INNER | 2-2198339-1 |
| | | REVERSED OUTER | 2-2198339-0 |
| 90.75 | EMI GASKET | CENTER/REVERSED OUTER | 1-2198339-9 |
| | | REVERSED OUTER | 1-2198339-8 |
| 90.75 | EMI GASKET | CENTER/REVERSED OUTER | 1-2198339-7 |
| | | REVERSED OUTER | 1-2198339-8 |
| 88 | EMI SPRINGS | INNER/OUTER | 2198339-6 |
| | | INNER | 2198339-7 |
| | | OUTER | 2198339-8 |
| 90.75 | EMI GASKET | INNER/OUTER | 2198339-2 |
| | | INNER | 2198339-3 |
| | | OUTER | 2198339-4 |
| | | NONE | 2198339-1 |
| (E) | CAGE TYPE | LIGHT PIPE CONFIGURATION | PART NUMBER |



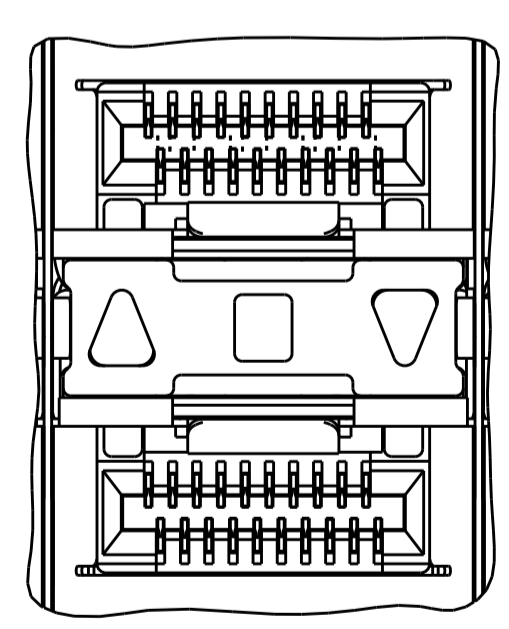
INNER/OUTER LIGHT PIPES
2198339-2, 2198339-6
SCALE 4:1



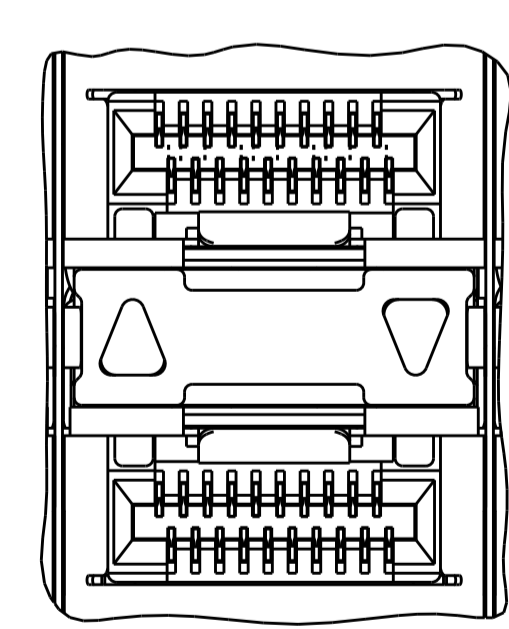
INNER LIGHT PIPES
2198339-3, 2198339-7
SCALE 4:1



OUTER LIGHT PIPES
2198339-4, 2198339-8
SCALE 4:1



CENTER/REVERSED OUTER
1-2198339-7, 1-2198339-9
SCALE 4:1



REVERSED OUTER
1-2198339-8, 2-2198339-0
SCALE 4:1

THIS DRAWING IS A CONTROLLED DOCUMENT.

OWN: M.E. CONNER 07DEC2011
 CHK: M.D. MORRISON 13DEC2011
 APV: M.D. MORRISON 13DEC2011

STE TE Connectivity

NAME: RECEPTACLE ASSEMBLY ,2X6 STACKED, 2SFP+

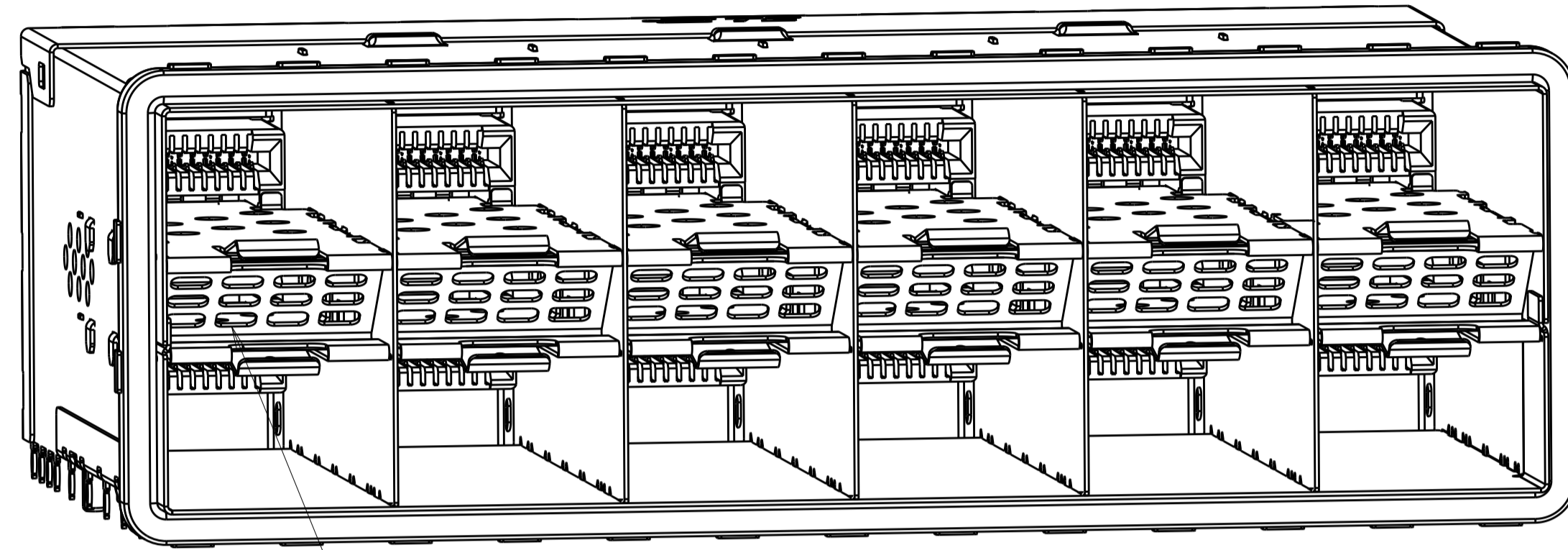
PRODUCT SPEC: 108-2481
 APPLICATION SPEC: 114-13319

SIZE: CAGE CODE DRAWING NO: A100779
 SCALE: 1:1 SHEET 1 OF 6 REV: B2

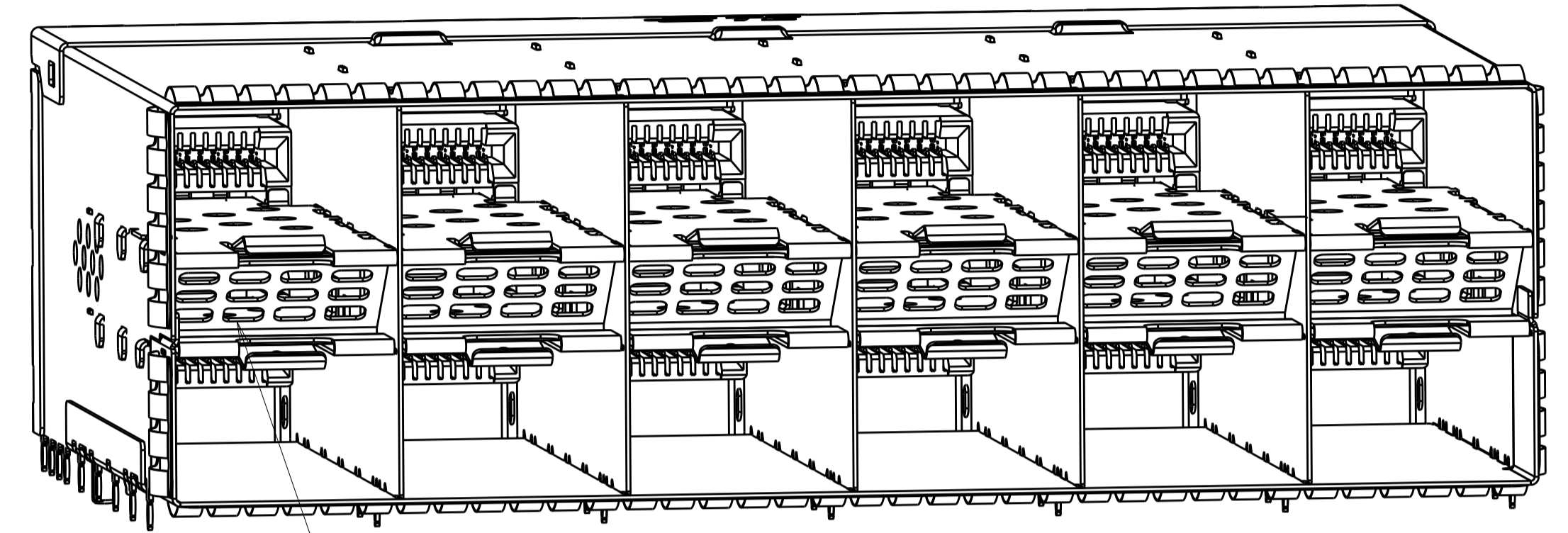
MATERIAL: SEE NOTES
 FINISH: SEE NOTES
 TOLERANCES UNLESS OTHERWISE SPECIFIED:
 DIMENSIONS: mm
 0 PLC ±0.20
 1 PLC ±0.15
 2 PLC ±0.10
 3 PLC ±0.10
 4 PLC ±0.10
 ANGLES ±0.5°

CUSTOMER DRAWING

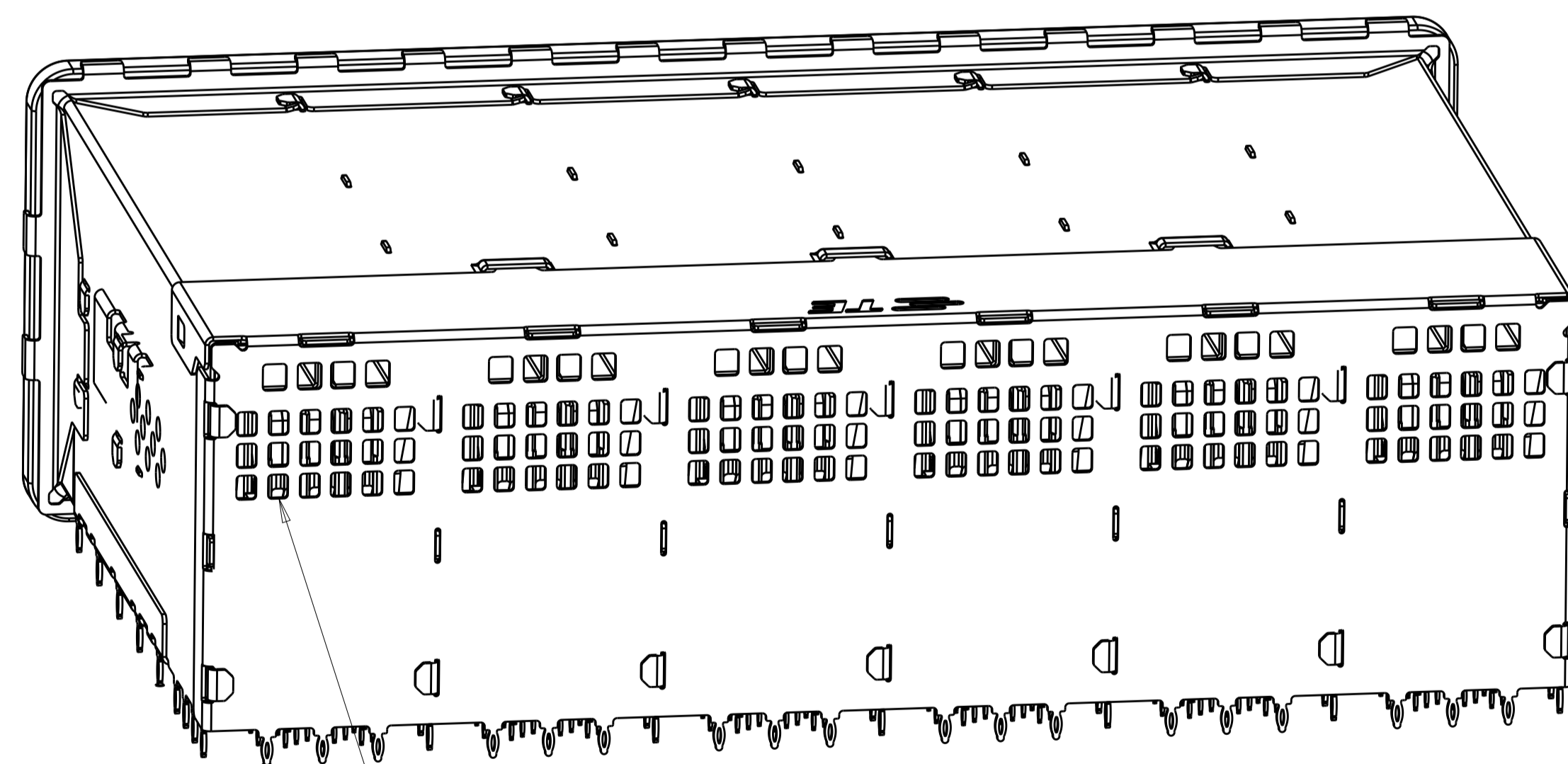
AIRFLOW ENHANCE TYPE



AIR VENTS

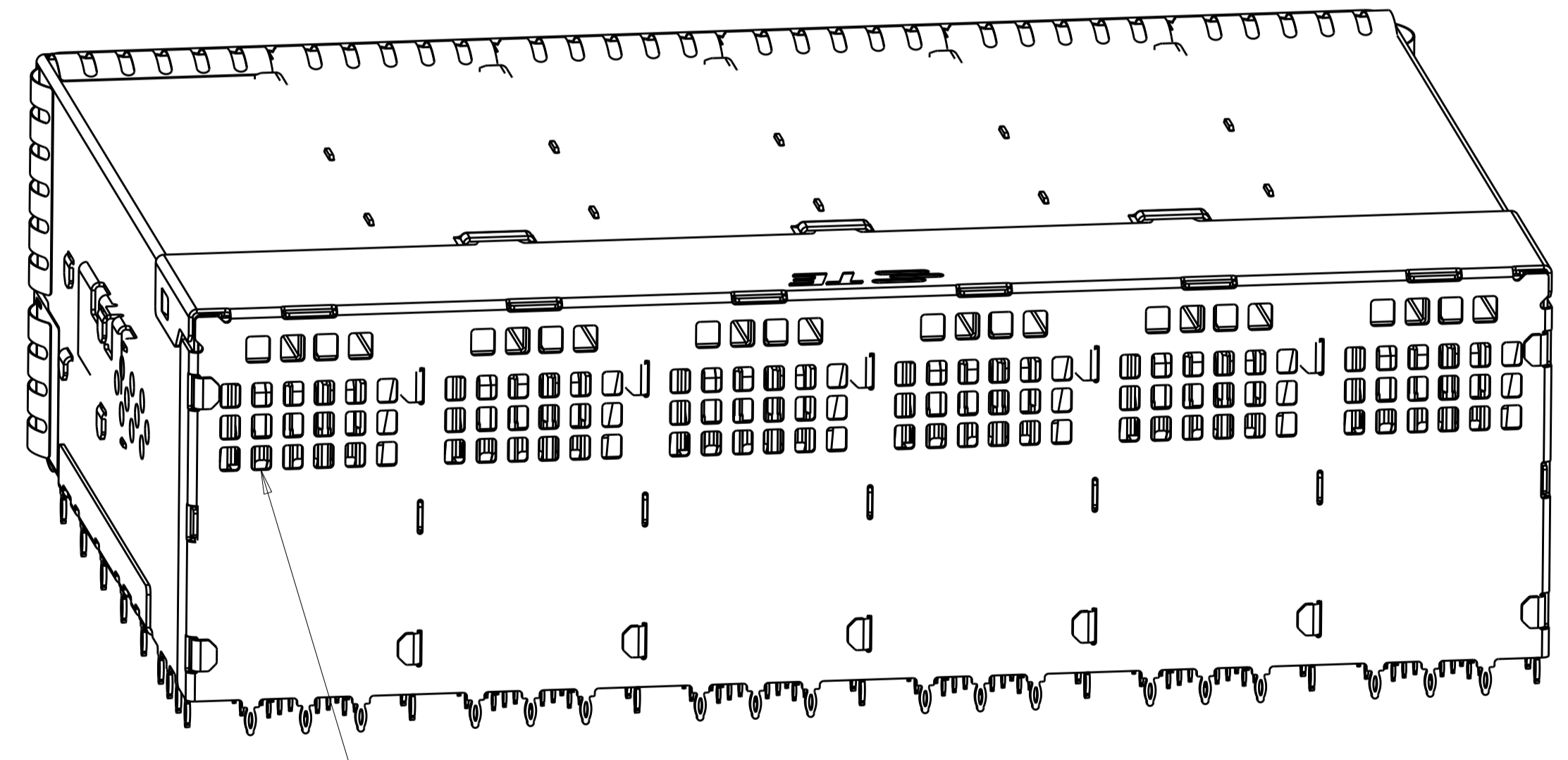


AIR VENTS



AIR VENTS

3-2198339-0
EMI GASKET TYPE



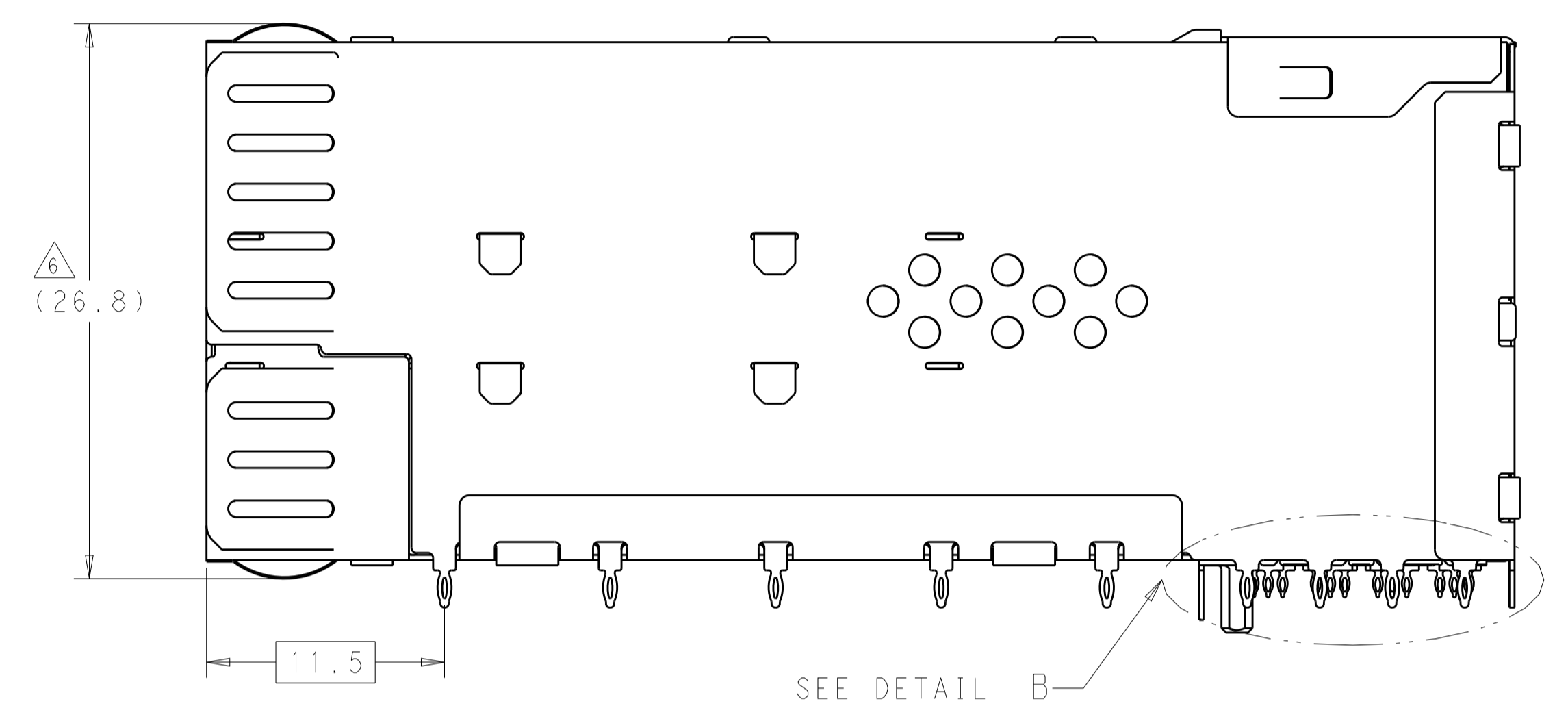
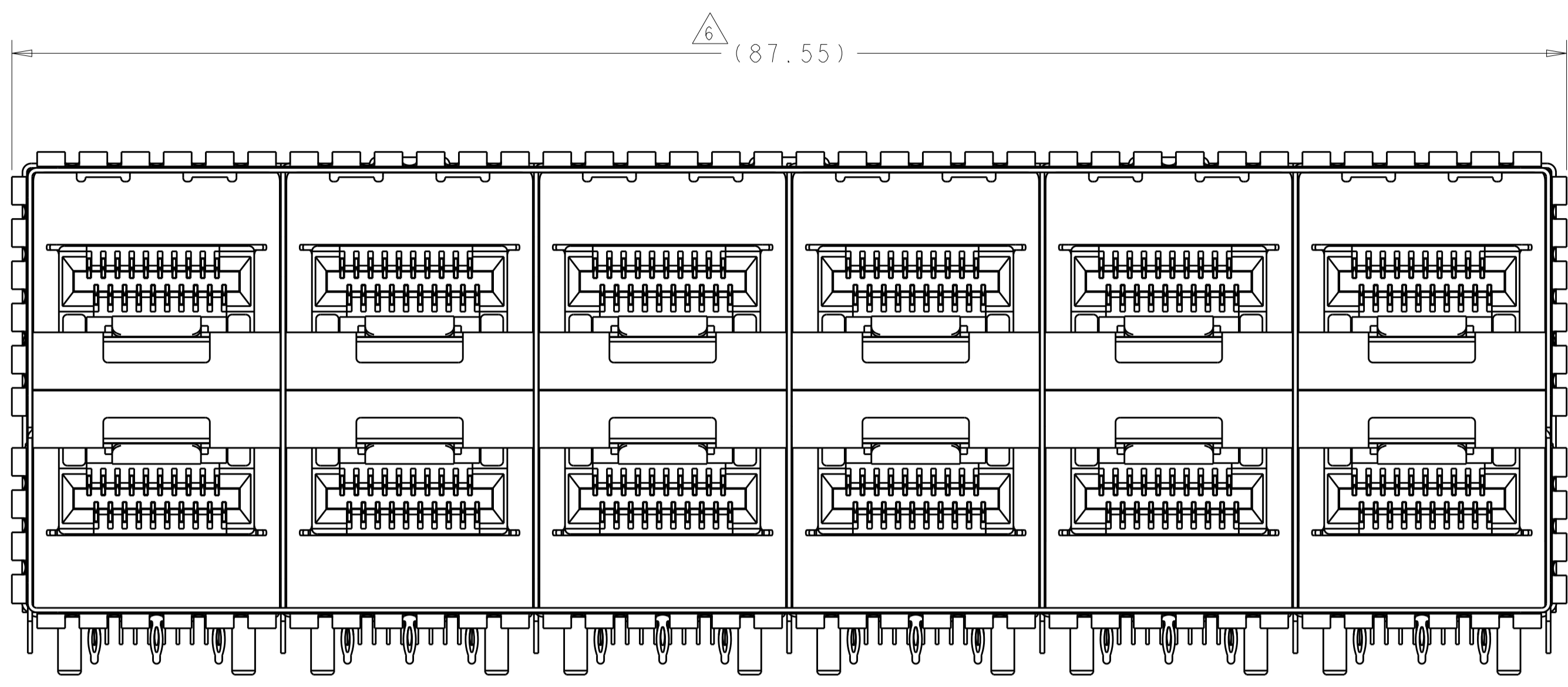
AIR VENTS

3-2198339-1
EMI SPRING TYPE

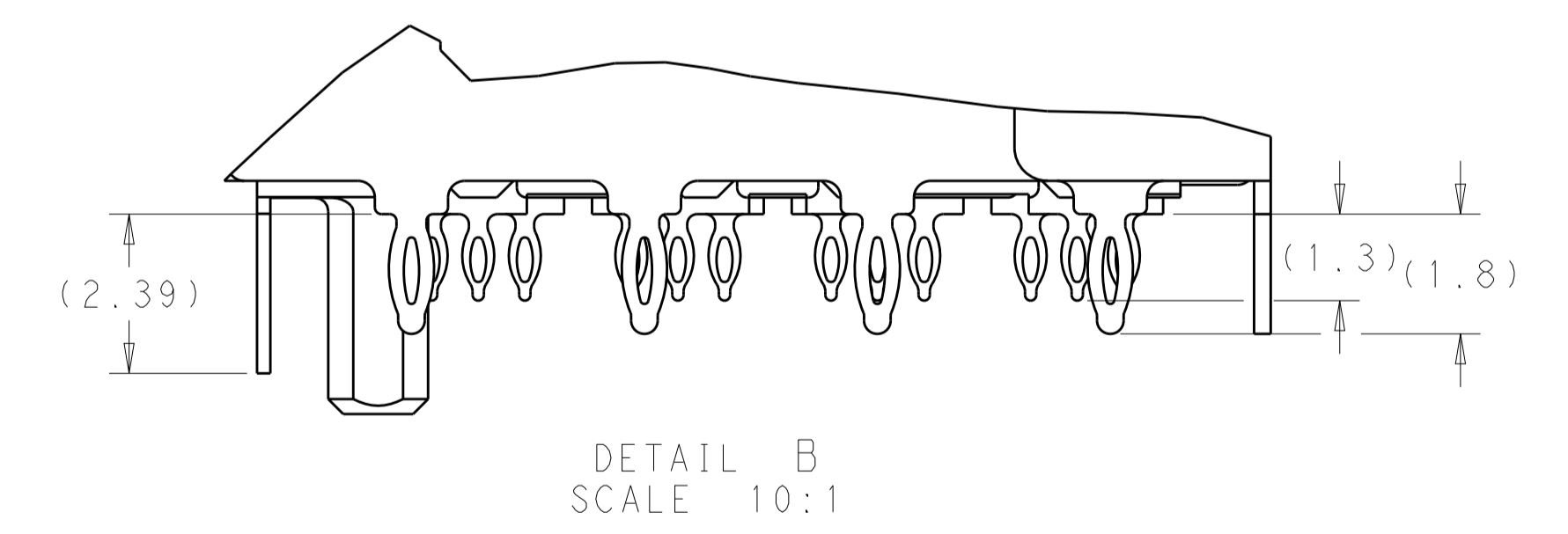
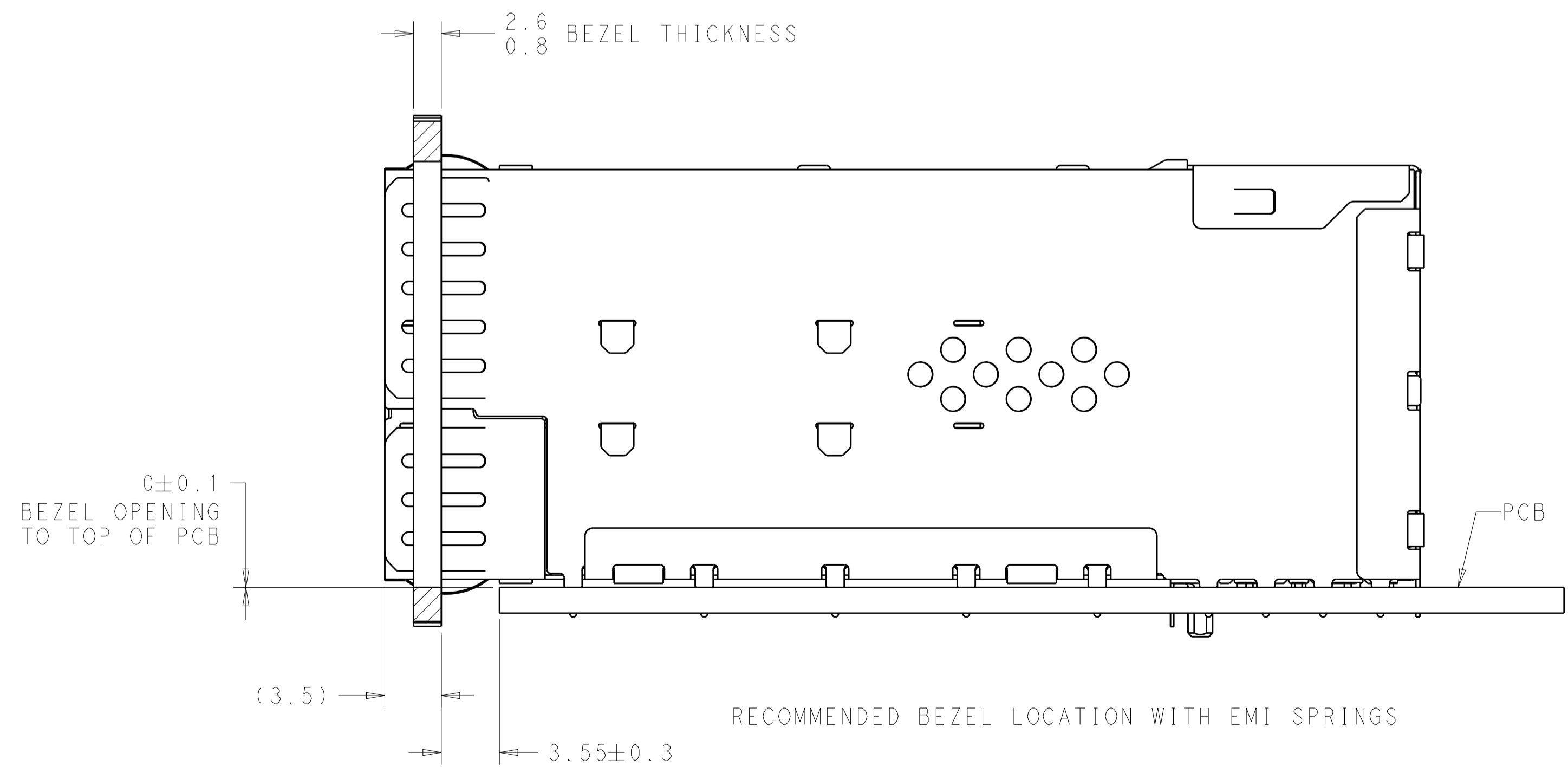
| LOC | DIST | REVISIONS | | | |
|-----|------|-------------|------|-----|------|
| P. | LTN | DESCRIPTION | DATE | DMN | APVD |
| - | - | SEE SHEET 1 | - | - | - |
| | | | | | |
| | | | | | |

| | | | |
|--|--|-------------------------------|--|
| THIS DRAWING IS A CONTROLLED DOCUMENT. | | DMN: M.E. CONNER 07DEC2011 | |
| DIMENSIONS: mm | | CHK: M.D. MORRISON 13DEC2011 | |
| TOLERANCES UNLESS OTHERWISE SPECIFIED: | | APVD: M.D. MORRISON 13DEC2011 | RECEPTACLE ASSEMBLY ,2X6 STACKED, zSFP+ |
| 0 PLC ± 1 PLC ±0.20 2 PLC ±0.15 3 PLC ±0.10 4 PLC ± ANGLES ±° | | PRODUCT SPEC: 108-2481 | |
| MATERIAL: SEE NOTES | | APPLICATION SPEC: 114-13319 | RESTRICTED TO: - |
| FINISH: SEE NOTES | | WEIGHT: - | SIZE: A100779 |
| Customer Drawing | | SCALE: 1:1 | SHEET 2 OF 6 |
| | | | REV: B2 |

| LOC | DIST | REVISIONS | | | |
|-----|------|-------------|------|-----|------|
| P | LTN | DESCRIPTION | DATE | DMN | APVD |
| - | - | SEE SHEET 1 | - | - | - |
| | | | | | |
| | | | | | |

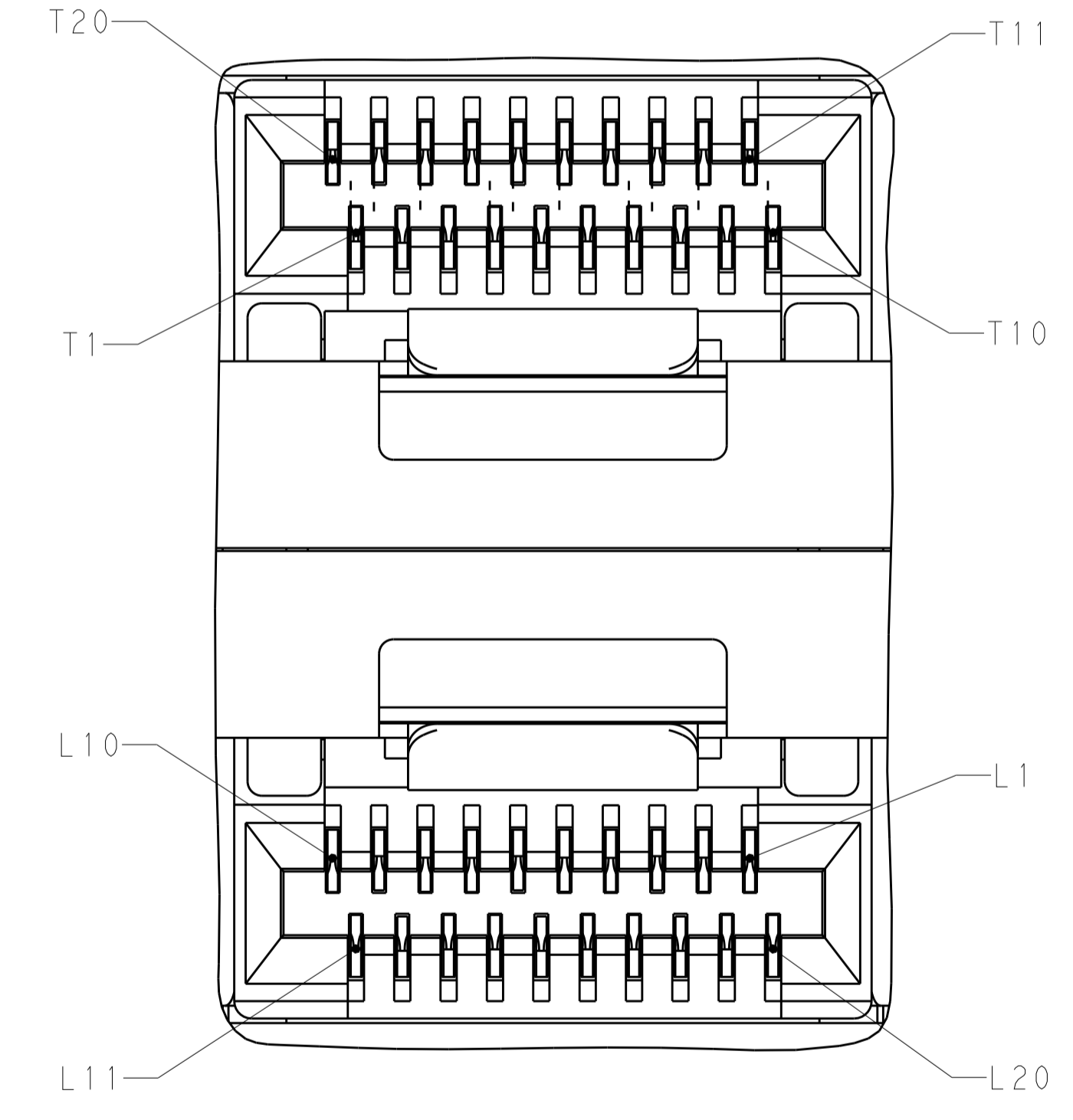
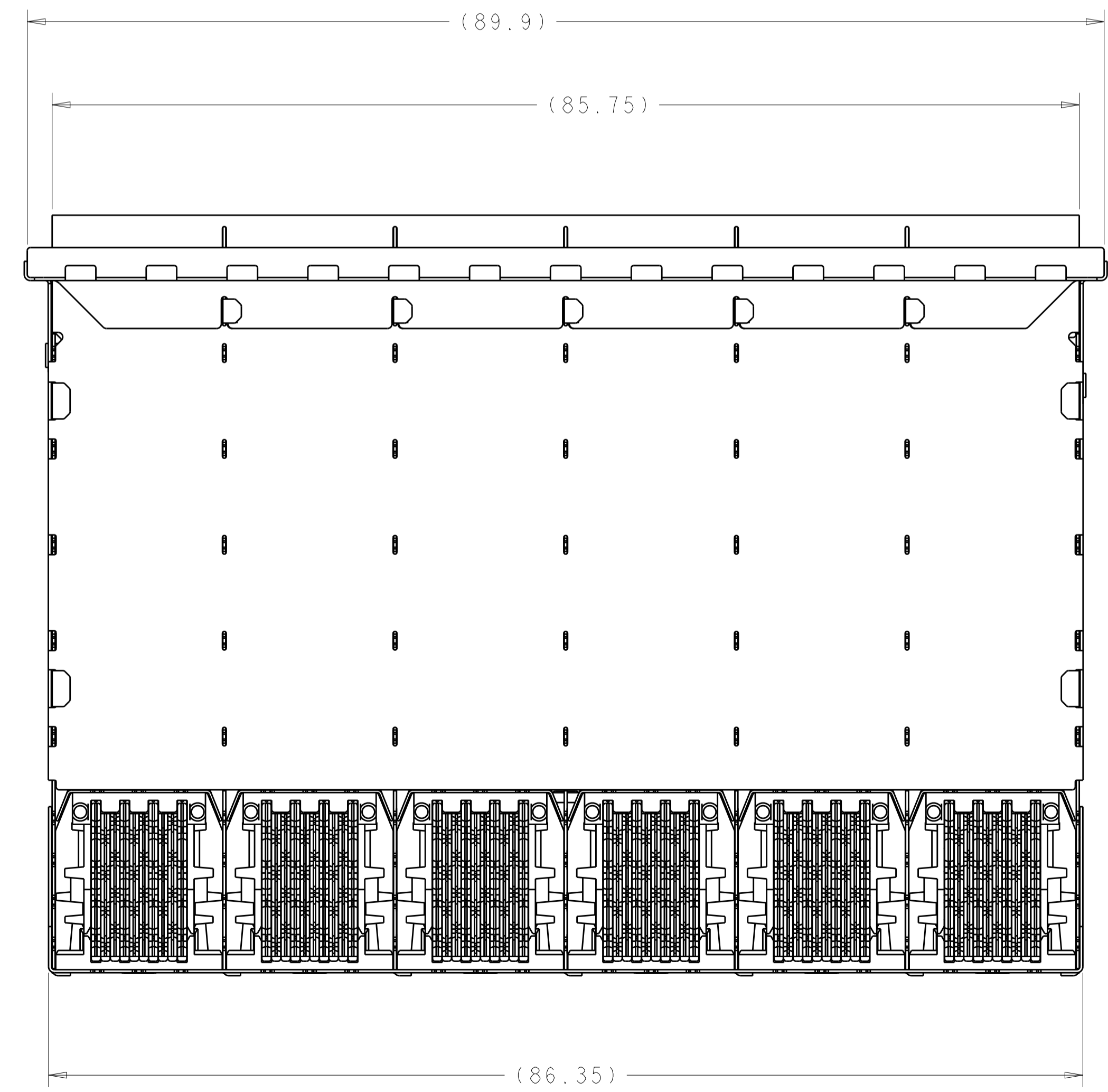
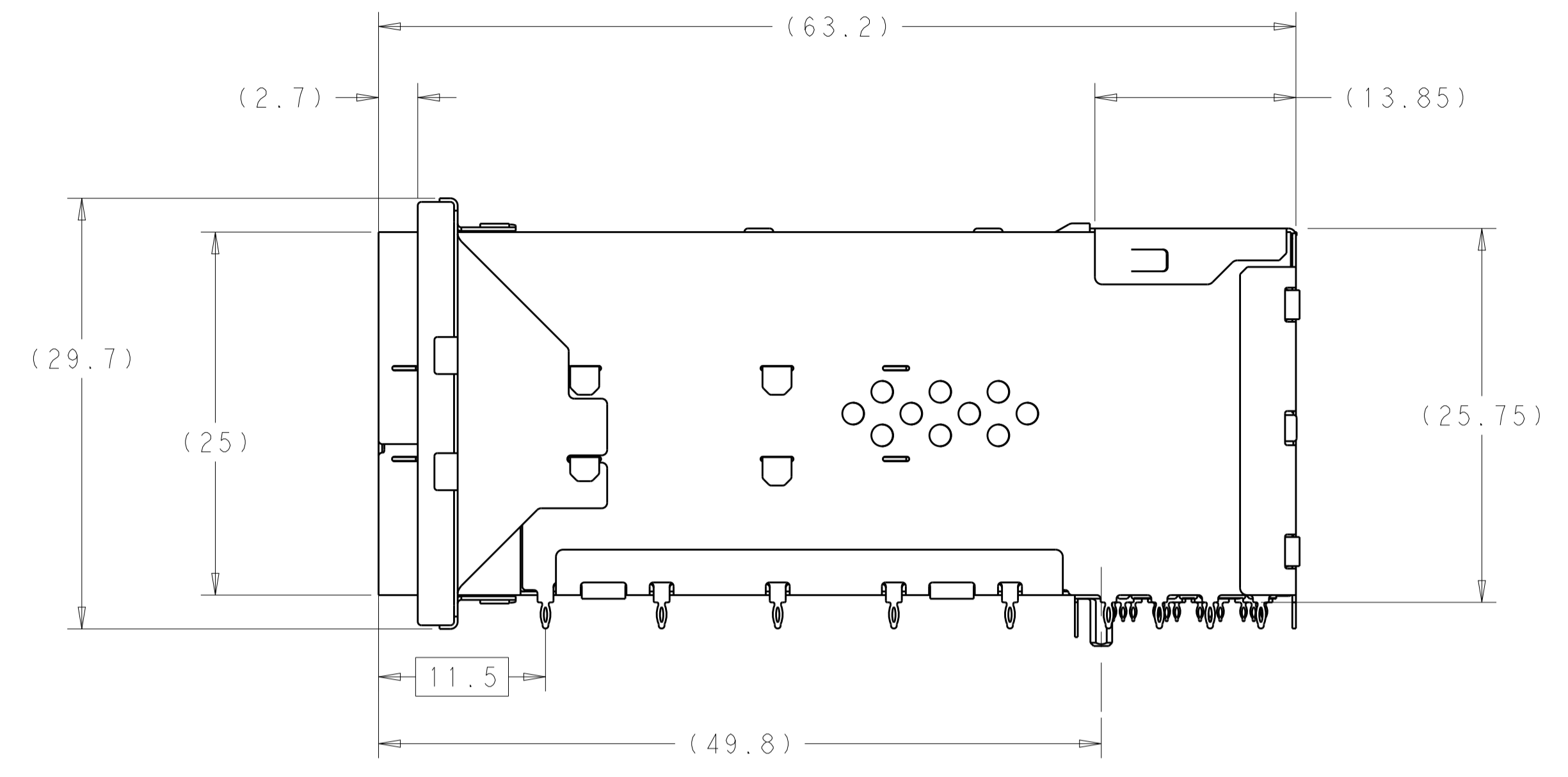
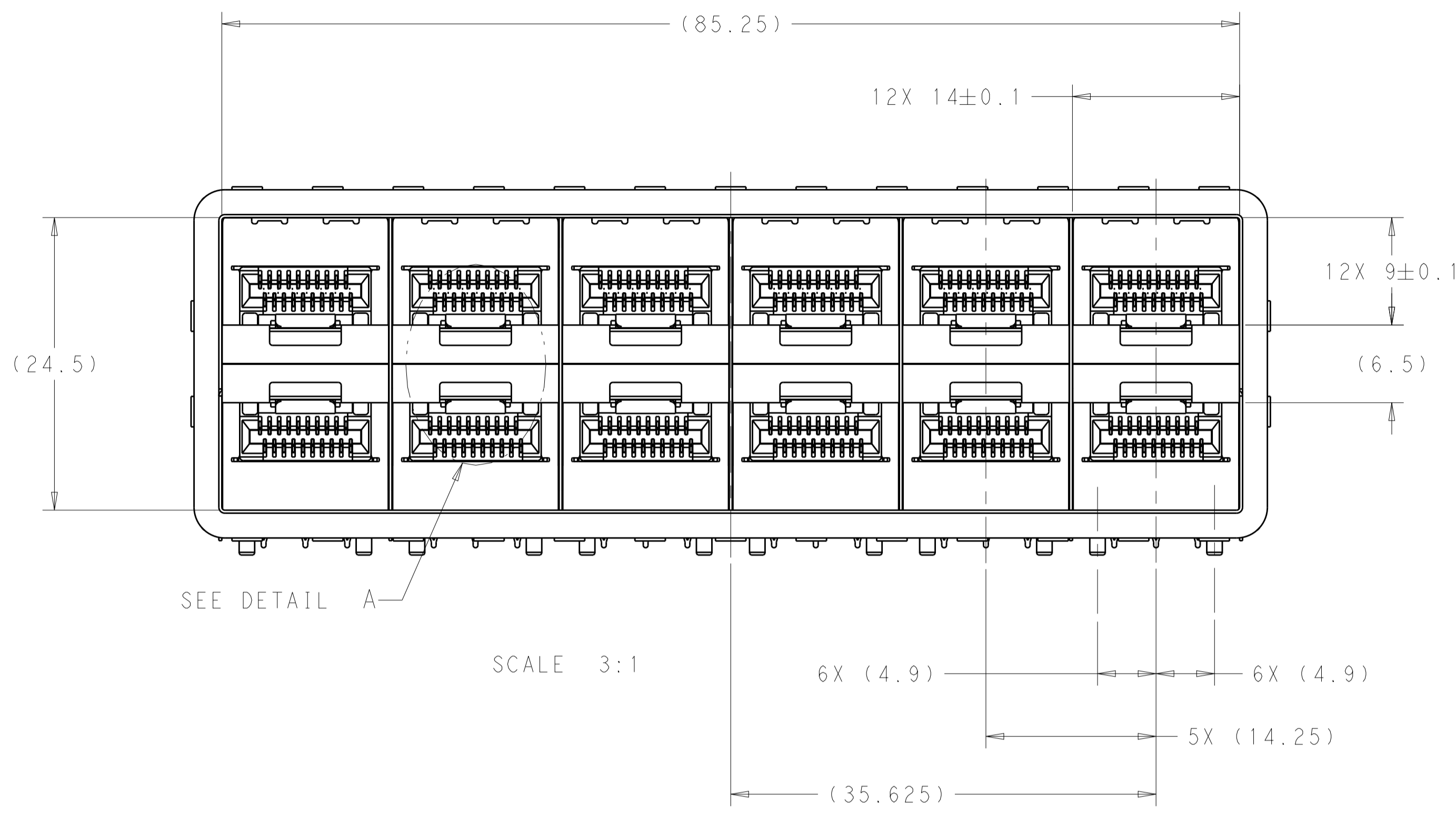


2198339-5 THRU 2198339-8, 1-2198339-9, 2-2198339-0, 2-2198339-1
 EMI SPRINGS ONLY
 SCALE 4:1



| | | | |
|--|--|-------------------------------|---|
| THIS DRAWING IS A CONTROLLED DOCUMENT. | | DMN: M.E. CONNER 07DEC2011 | TE Connectivity |
| DIMENSIONS: mm | | CHK: M.D. MORRISON 13DEC2011 | |
| TOLERANCES UNLESS OTHERWISE SPECIFIED: | | APVD: M.D. MORRISON 13DEC2011 | NAME: RECEPTACLE ASSEMBLY ,2X6 STACKED, zSFP+ |
| 0 PLC ±.20 1 PLC ±0.20 2 PLC ±0.15 3 PLC ±0.10 4 PLC ±.10 ANGLES ±° | | PRODUCT SPEC: 108-2481 | |
| MATERIAL: SEE NOTES | | APPLICATION SPEC: 114-13319 | SIZE: A100779 |
| FINISH: SEE NOTES | | WEIGHT: - | CAGE CODE: C=2198339 |
| Customer Drawing | | SCALE: 1:1 | SHEET 3 OF 6 REV B2 |

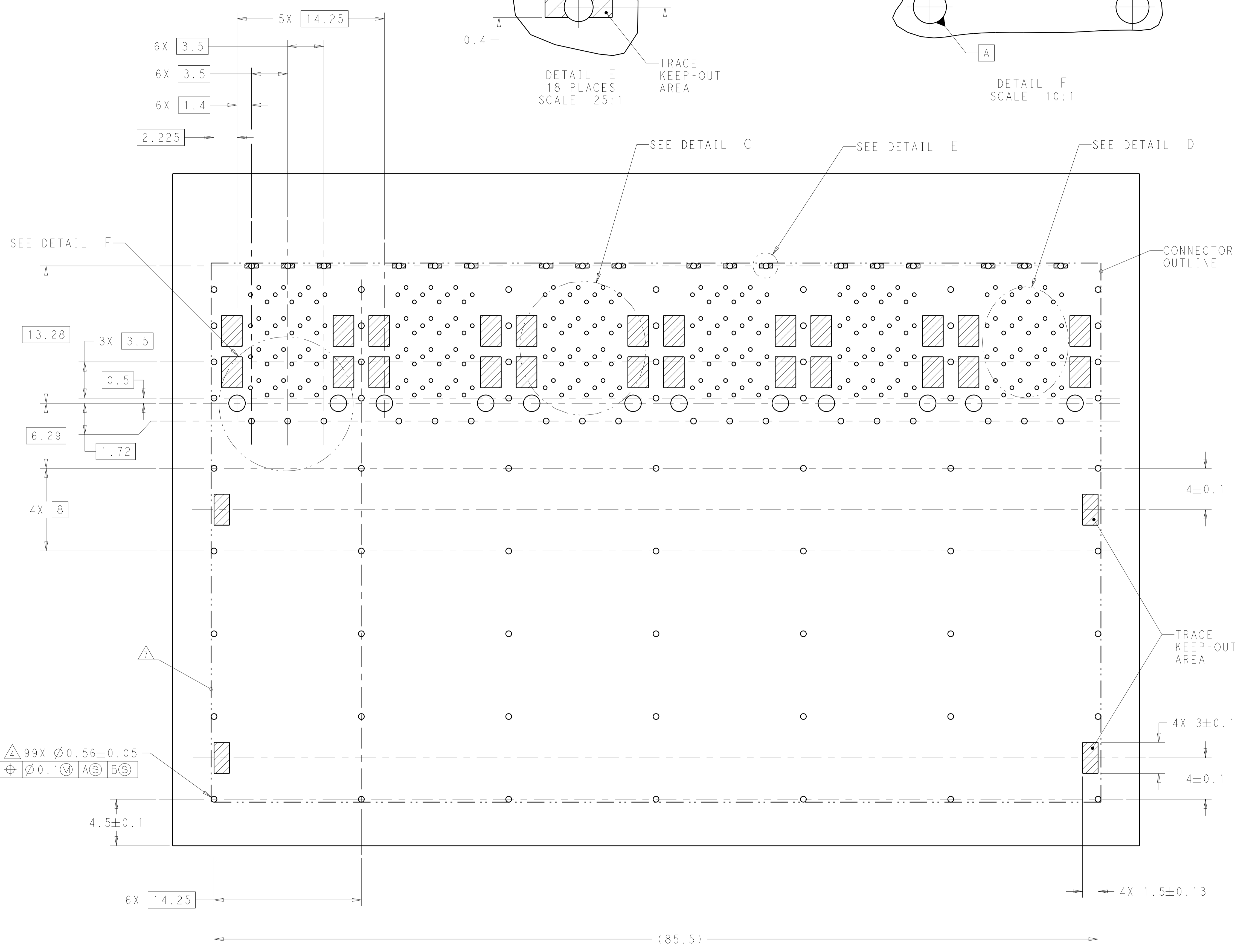
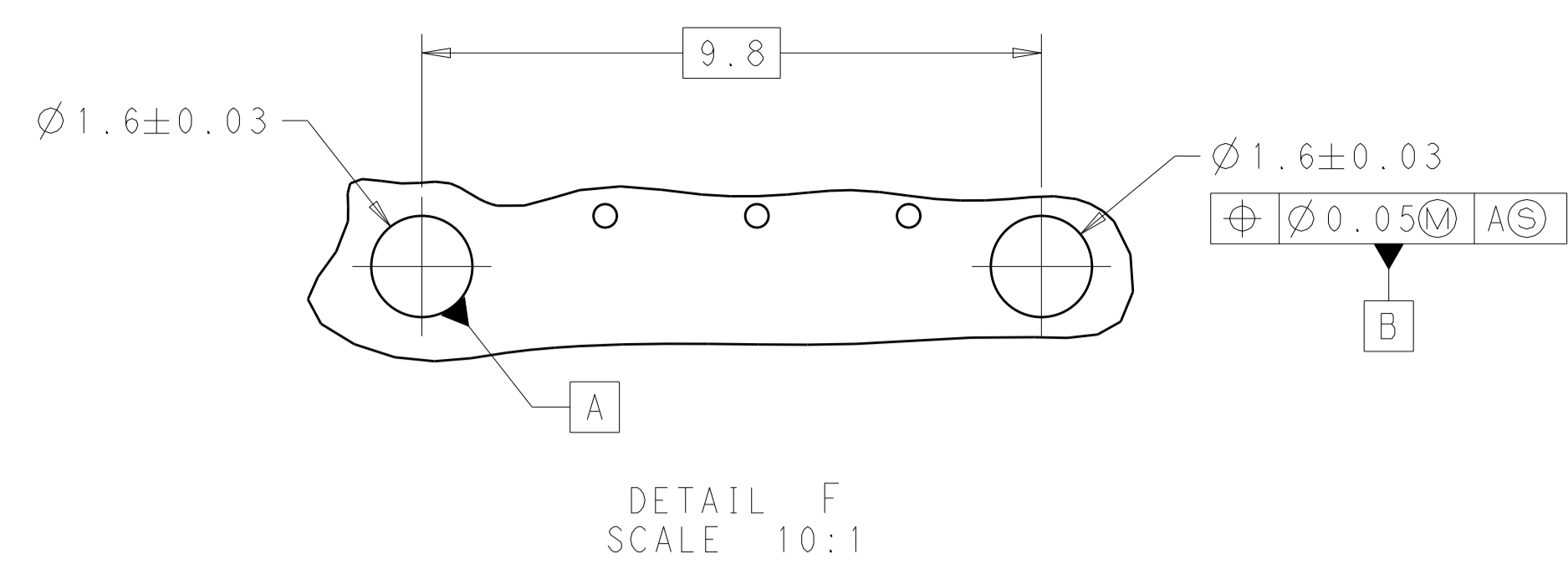
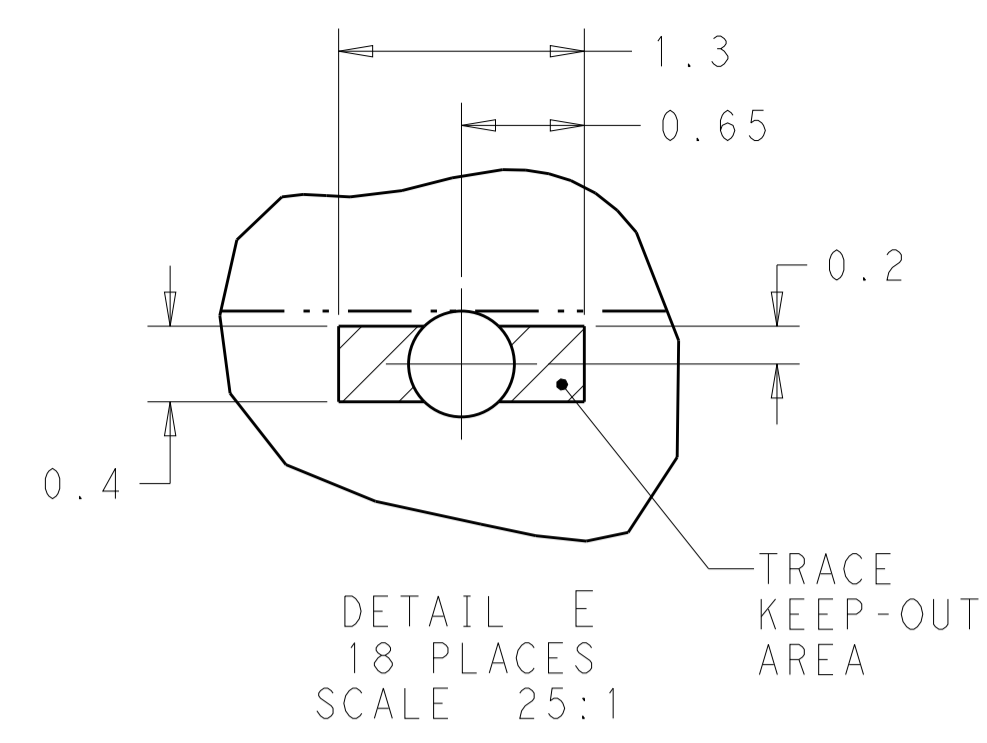
| LOC | | DIST | | REVISIONS | | | |
|-----|-----|-------------|------|-----------|------|--|--|
| P | LTN | DESCRIPTION | DATE | DWN | APVD | | |
| - | - | SEE SHEET 1 | - | - | - | | |



DETAIL A
 6X INDIVIDUALLY
 SCALE 10:1

| | | | |
|--|--|-------------------------------|---|
| THIS DRAWING IS A CONTROLLED DOCUMENT. | | DWN: M.E. CONNER 07DEC2011 | |
| DIMENSIONS: mm | | CHK: M.D. MORRISON 13DEC2011 | |
| TOLERANCES UNLESS OTHERWISE SPECIFIED: | | APVD: M.D. MORRISON 13DEC2011 | NAME: RECEPTACLE ASSEMBLY ,2X6 STACKED, zSFP+ |
| 0 PLC ± 1 PLC ±0.20 2 PLC ±0.15 3 PLC ±0.10 4 PLC ± ANGLES ±° | | PRODUCT SPEC: 108-2481 | SIZE: A1 |
| MATERIAL: SEE NOTES | | APPLICATION SPEC: 114-13319 | CAGE CODE: C=2198339 |
| FINISH: SEE NOTES | | WEIGHT: - | RESTRICTED TO: - |
| | | Customer Drawing | SCALE: 1:1 SHEET 4 OF 6 REV: B2 |

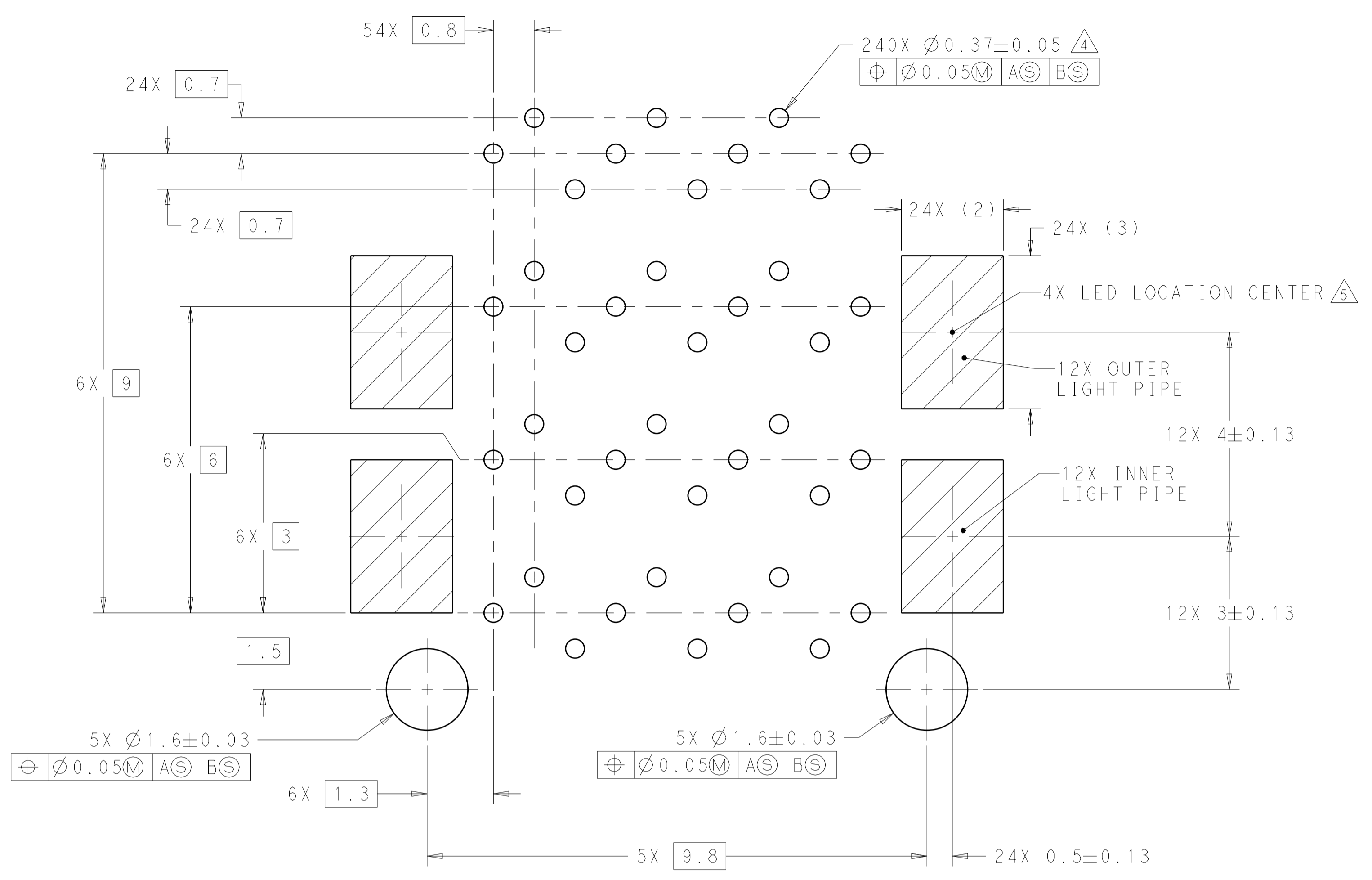
| LOC | DIST | REVISIONS | | | |
|-----|------|-------------|------|-----|------|
| P. | LTH | DESCRIPTION | DATE | DWN | APVD |
| - | - | SEE SHEET 1 | - | - | - |



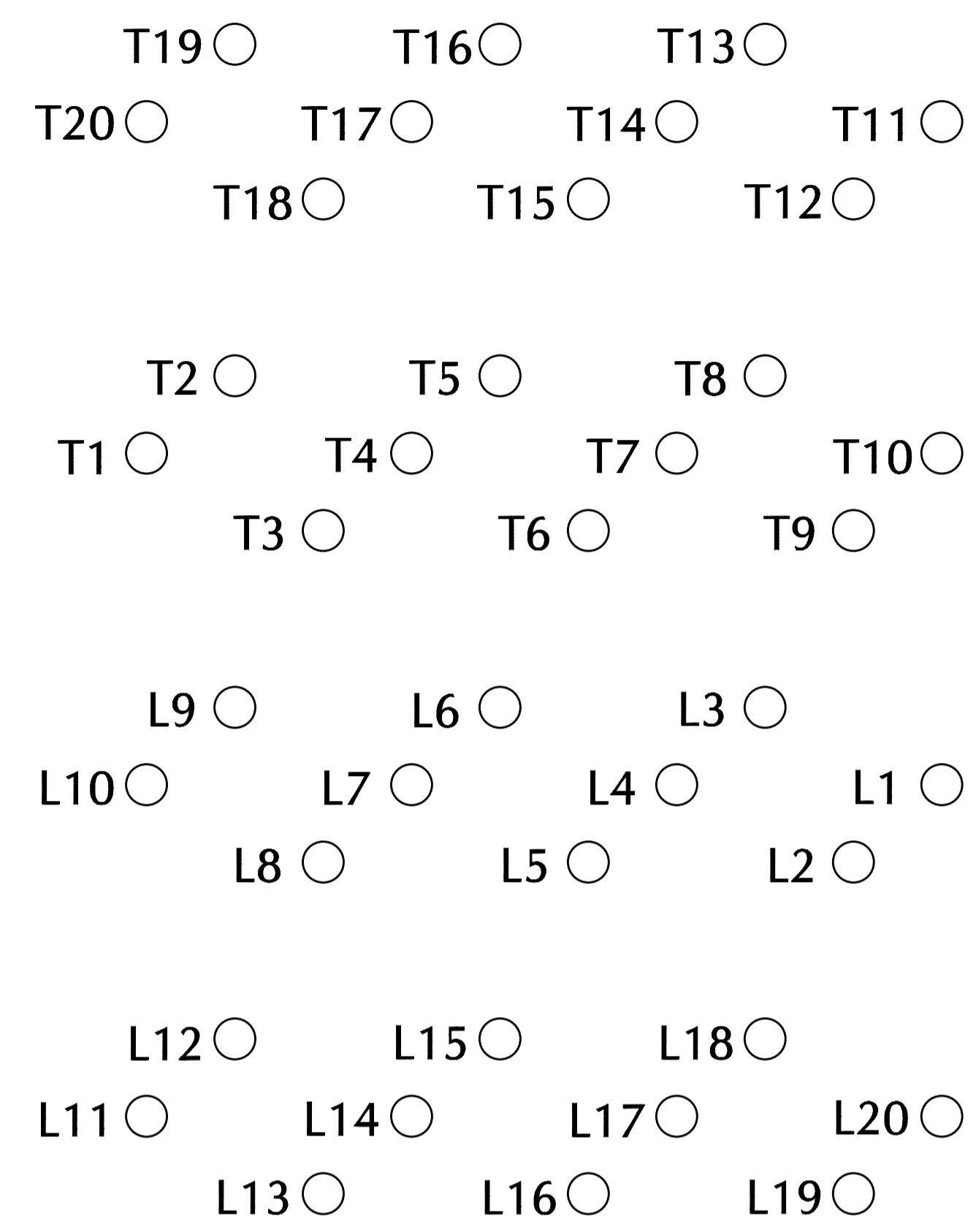
4 99X $\varnothing 0.56 \pm 0.05$
 $\varnothing 0.1 (M) A(S) B(S)$

| | | | |
|--|-----------|-------------------------------|---|
| THIS DRAWING IS A CONTROLLED DOCUMENT. | | DWN: M.E. CONNER 07DEC2011 | TE Connectivity |
| DIMENSIONS: mm | | CHK: M.D. MORRISON 13DEC2011 | |
| TOLERANCES UNLESS OTHERWISE SPECIFIED: | | APVD: M.D. MORRISON 13DEC2011 | NAME: RECEPTACLE ASSEMBLY ,2X6 STACKED, zSFP+ |
| 0 PLC | ± | PRODUCT SPEC | SIZE: CAGE CODE DRAWING NO |
| 1 PLC | ±0.20 | 108-2481 | RESTRICTED TO |
| 2 PLC | ±0.15 | APPLICATION SPEC | A100779C=2198339 |
| 3 PLC | ±0.10 | 114-13319 | SCALE 1:1 SHEET 5 OF 6 REV B2 |
| 4 PLC | ± | WEIGHT | |
| ANGLES | ±4° | Customer Drawing | |
| MATERIAL | SEE NOTES | | |
| FINISH | SEE NOTES | | |

| LOC | DIST | REVISIONS | | | |
|-----|------|-------------|------|-----|------|
| P | LTR | DESCRIPTION | DATE | OWN | APVD |
| - | - | SEE SHEET 1 | - | - | - |

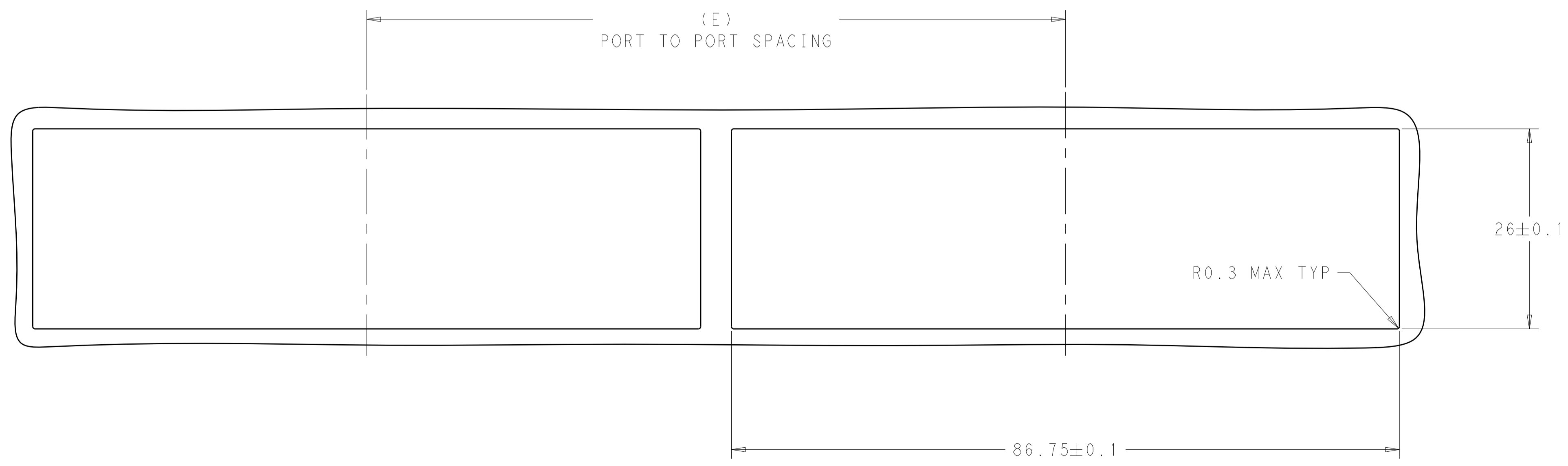


DETAIL C
 RECOMMENDED PIN AND LIGHT PIPE LAYOUT
 SCALE 15:1

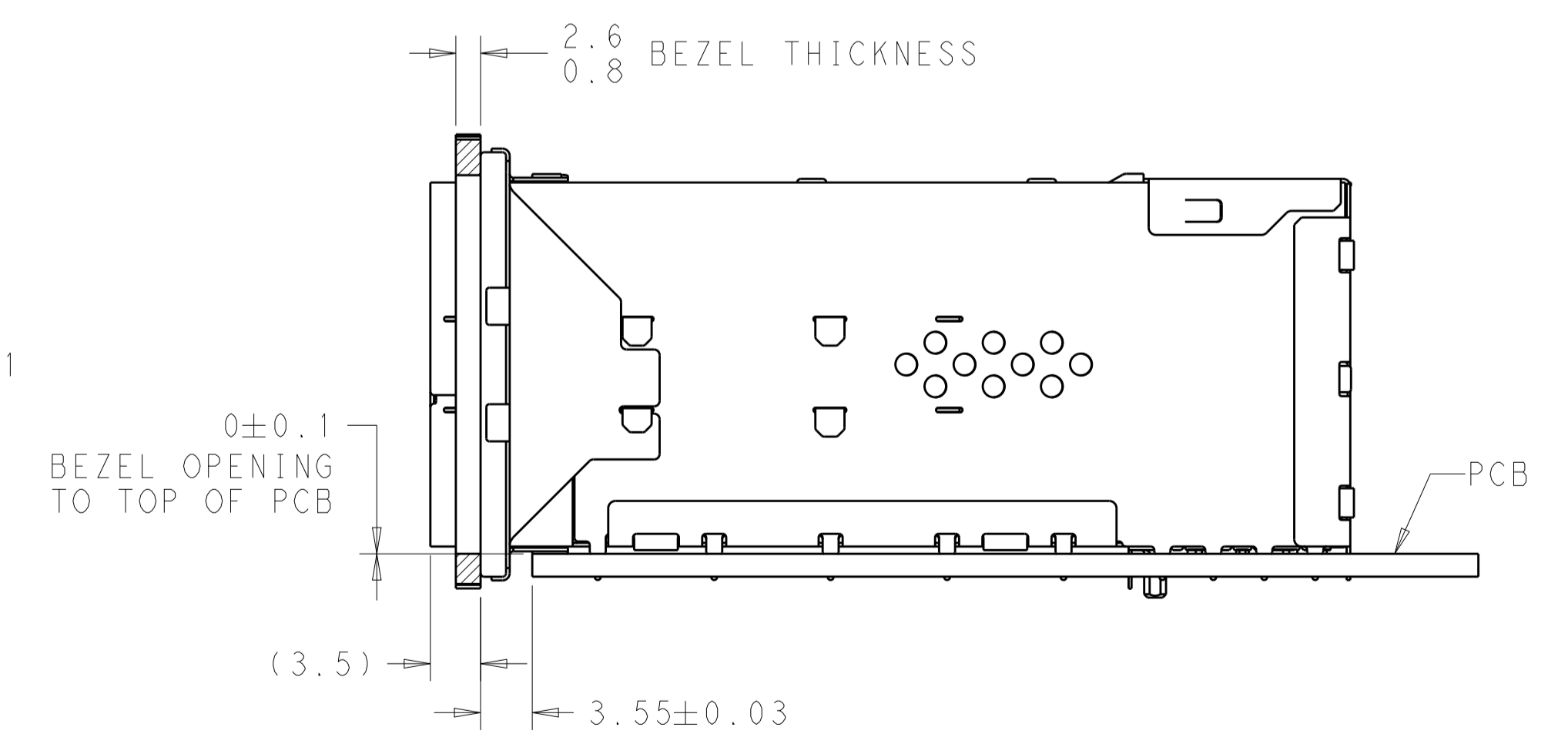


| PIN MAP LEGEND | |
|----------------|------------|
| PIN NUMBER | FUNCTION |
| L1/T1 | VEET |
| L2/T2 | TX-FAULT |
| L3/T3 | TX-DISABLE |
| L4/T4 | SDA |
| L5/T5 | SCL |
| L6/T6 | MOD_ABS |
| L7/T7 | RSO |
| L8/T8 | RX_LOS |
| L9/T9 | RS1 |
| L10/T10 | VEER |
| L11/T11 | VEER |
| L12/T12 | RD- |
| L13/T13 | RD+ |
| L14/T14 | VEER |
| L15/T15 | VCCR |
| L16/T16 | VCCT |
| L17/T17 | VEET |
| L18/T18 | TD+ |
| L19/T19 | TD- |
| L20/T20 | VEET |

DETAIL D
 PIN MAP
 6 PLACES
 SCALE 20:1



RECOMMENDED BEZEL CUT-OUT DETAIL
 SCALE 5:2



RECOMMENDED BEZEL LOCATION WITH EMI GASKET
 SCALE 5:2

| | | | |
|--|--|-------------------------------|---|
| THIS DRAWING IS A CONTROLLED DOCUMENT. | | OWN: M.E. CONNER 07DEC2011 | TE Connectivity |
| DIMENSIONS: mm | | CHK: M.D. MORRISON 13DEC2011 | |
| TOLERANCES UNLESS OTHERWISE SPECIFIED: | | APVD: M.D. MORRISON 13DEC2011 | NAME: RECEPTACLE ASSEMBLY ,2X6 STACKED, zSFP+ |
| 0 PLC ±0.20 | | PRODUCT SPEC: 108-2481 | |
| 1 PLC ±0.15 | | APPLICATION SPEC: 114-13319 | SIZE: A1 CAGE CODE: 00779 DRAWING NO: 2198339 |
| 2 PLC ±0.10 | | WEIGHT: - | |
| 3 PLC ±0.05 | | FINISH: - | RESTRICTED TO: - SCALE: 1:1 SHEET 6 OF 6 REV: B2 |
| 4 PLC ±0.05 | | Customer Drawing | |
| ANGLES: ±0.5° | | | |
| MATERIAL: SEE NOTES | | | |
| FINISH: SEE NOTES | | | |

X-ON Electronics

Largest Supplier of Electrical and Electronic Components

Click to view similar products for [I/O Connectors](#) category:

Click to view products by [TE Connectivity](#) manufacturer:

Other Similar products are found below :

[571763P](#) [72.250.1628.2](#) [72.250.2428.2](#) [74720-0505](#) [76.350.0729.0](#) [76871-1403](#) [FCN-244F080-G/1](#) [FCN-260A9920](#) [MP-5T180MUNNA-005](#)
[PCR-E36PM](#) [PCS-XE26MA+](#) [G38A71314B](#) [1571250010](#) [157-22500-3](#) [MS3471L14-19P L/C](#) [91-569786-35H](#) [172501-4002](#) [172501-6002](#)
[FCN-260C008-A/L0](#) [FCN-260C024-AL0](#) [FCN-261Z008](#) [2000314-1](#) [200331-1](#) [PCR-E36FC+](#) [PCS-E28FS+](#) [PCS-XE26SLFD+](#) [PCS-](#)
[XE26SLFDT+](#) [G730VID08BDC24](#) [HDMR-29-01-S-SM-TR](#) [U90B2054081210](#) [UE86K842720321](#) [38113800006](#) [DP3AR020WQ1R200](#)
[Z4.102.0680.0](#) [500-1040](#) [500-1052](#) [500-1054](#) [ZP-4008-66L](#) [0709821002](#) [10-565995-597N](#) [DX40-20P\(55\)](#) [5554841-1](#) [U90B3054061110](#)
[U65-E04-4020](#) [ZPF00000000097891](#) [557-262M2-06C](#) [747360449](#) [10099439-003C-TRLF](#) [10137239-0021LF](#) [E9320-001-01](#)