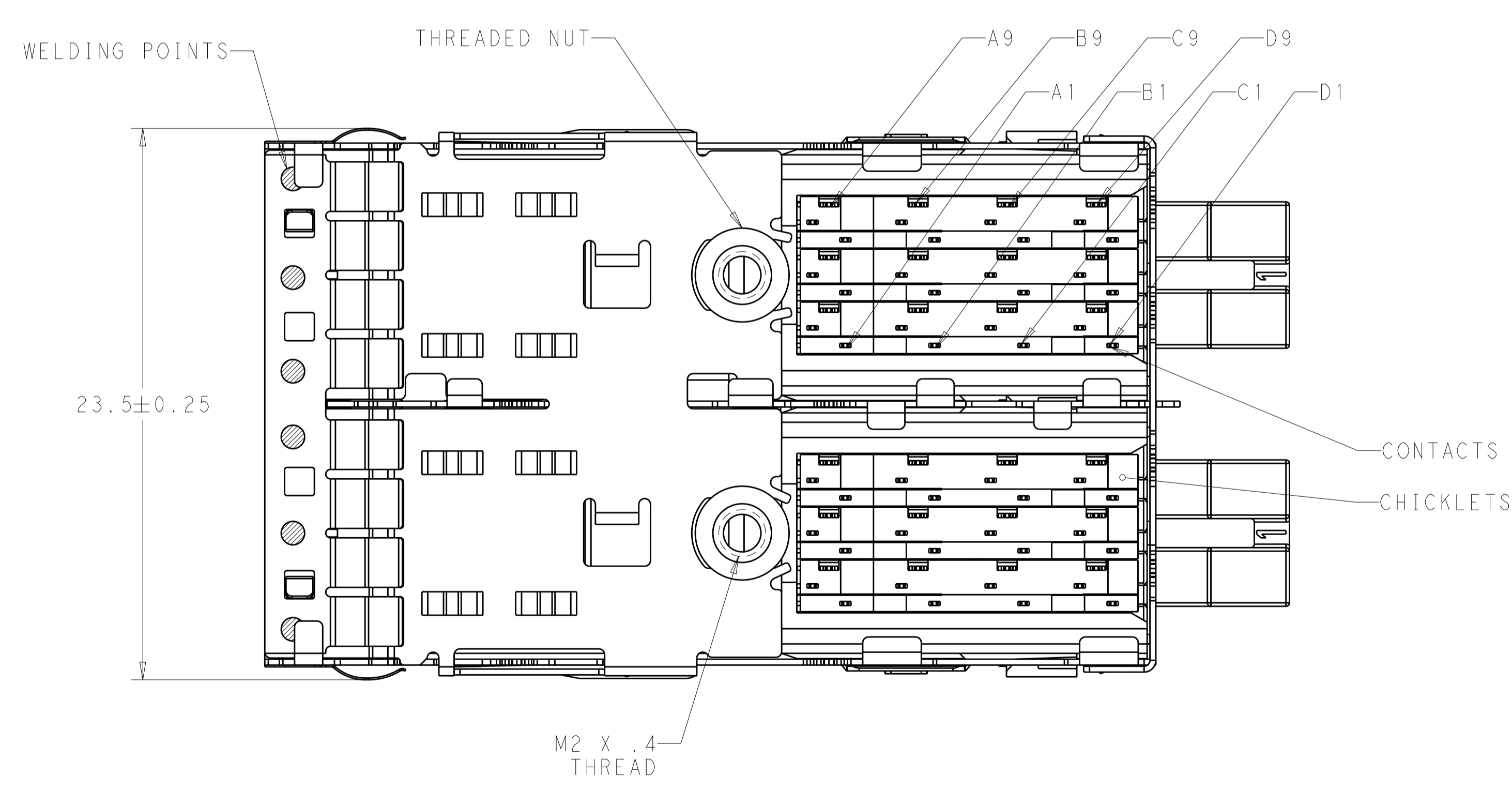
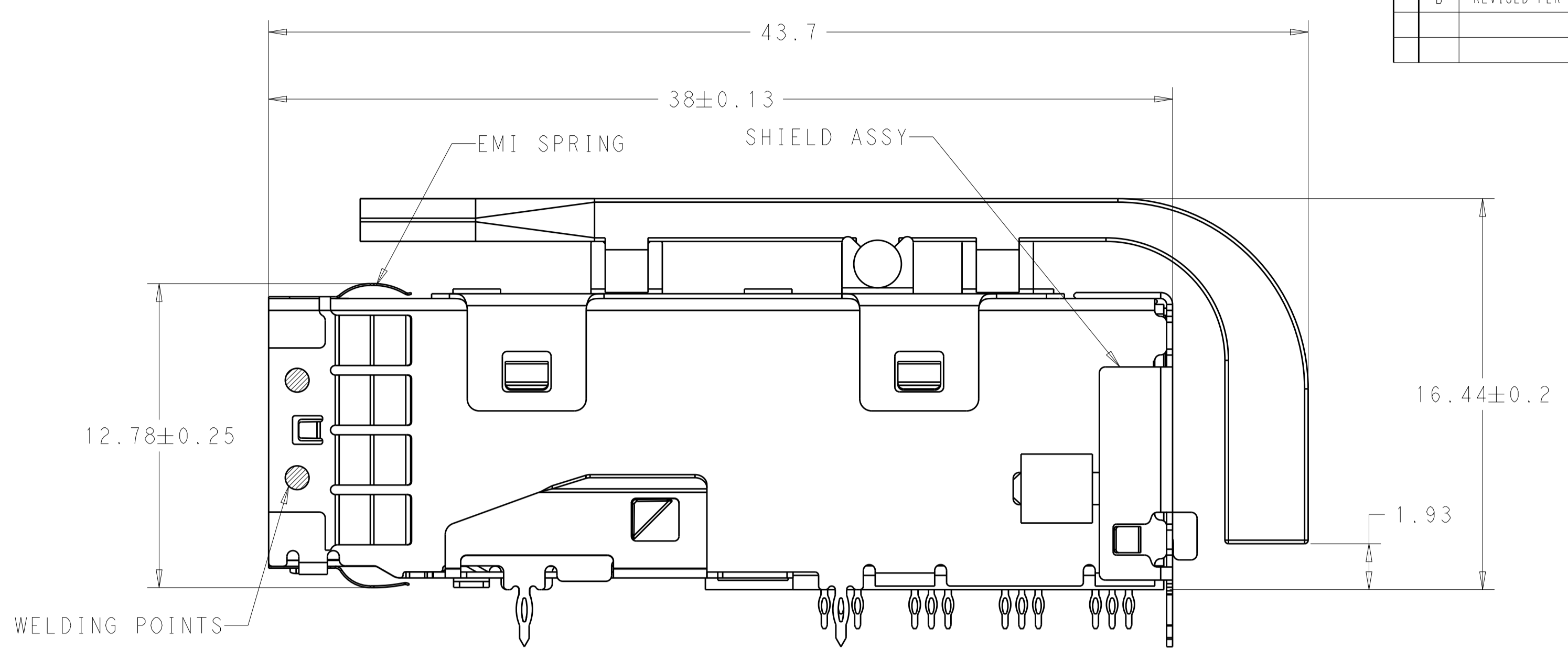
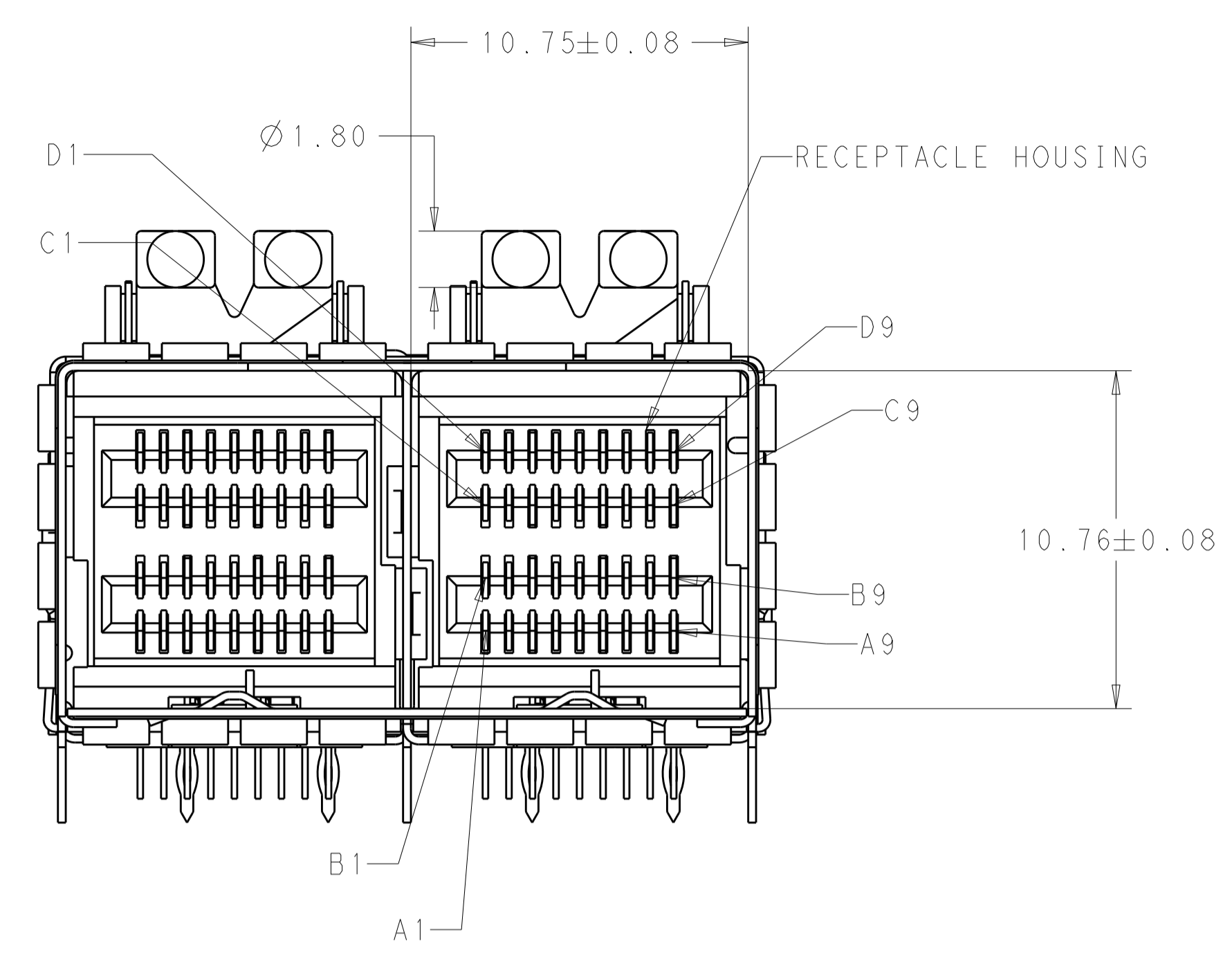


LOC		DIST		REVISIONS			
P	LTN	DESCRIPTION	DATE	DWN	APVD		
A		REVISED PER ECO-14-018497	17DEC2014	AP	DG		
B		REVISED PER ECO-15-013876	16MAY2016	JY	SH		



- MATERIALS**
 RECEPTACLE HOUSING: LCP, BLACK, UL94V-0 RATED
 SHIELD ASSY: NICKEL-SILVER COPPER ALLOY
 CONTACTS: COPPER ALLOY
 EMI SPRING: COPPER ALLOY
 THREADED NUT: BRASS
 CHICKLETS: LCP, BLACK, UL 94V-0 RATED
 LIGHTPIPE CLIP: STAINLESS STEEL
 LIGHTPIPE: POLYCARBONATE
 - FINISH**
 EMI SPRING: TIN PLATE OVER NICKEL PLATE
 NON-PLATED EDGES PERMISSABLE
 THREADED NUT: NICKEL PLATE
- △ CONTACT FINISH: CONFORMS TO THE REQUIREMENTS OF TE PRODUCT SPECIFICATION, 108-2462. BASED ON EIA/ECA-364-1000.01A. (CONTROLLED ENVIRONMENT APPLICATIONS) ON MATING END. TIN PLATED ON PCB TAIL
4. THREAD LENGTH OF FASTENER = PCB THICKNESS+1.45 MAX
- △ RECOMMENDED TRACE KEEP OUT ZONE

LOWER HEIGHT	14.53	2198483-2
STANDARD HEIGHT	15.54	2198483-1
LIGHT PIPE	H HOLE HIGHT OF LP	PART NUMBER

2198483-1 AS SHOWN

THIS DRAWING IS A CONTROLLED DOCUMENT. DWN: J. SECHRIST 15NOV2011
 CHK: J. SECHRIST 15NOV2011
 APVD: J. SECHRIST

DIMENSIONS: mm
 TOLERANCES UNLESS OTHERWISE SPECIFIED:
 0 PLC ±
 1 PLC ±0.25
 2 PLC ±0.13
 3 PLC ±
 4 PLC ±
 ANGLES ±
 FINISH ±

MATERIAL: -

PRODUCT SPEC: 108-2462
 APPLICATION SPEC: 114-13316
 WEIGHT: -

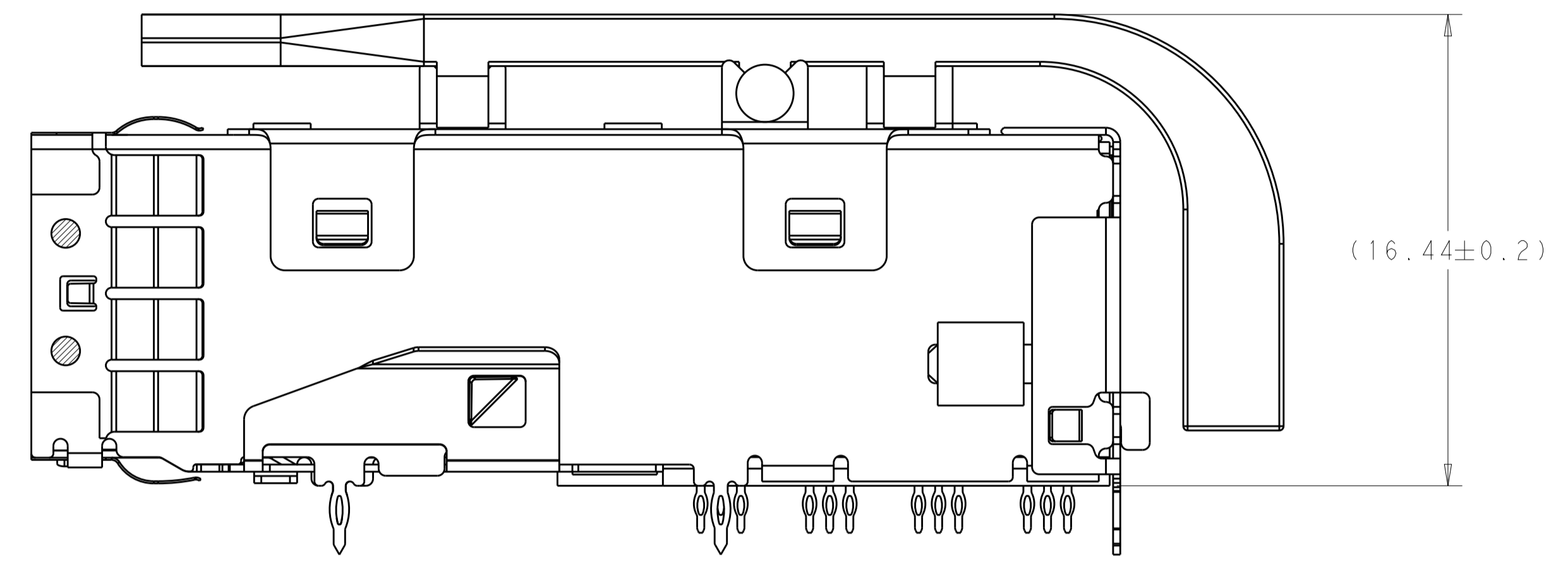
CUSTOMER DRAWING

NAME: RECEPTACLE ASSEMBLY, MINI-SAS HD, 2X W/ LIGHT PIPES
 SIZE: A1
 CAGE CODE: 00779
 DRAWING NO: 2198483

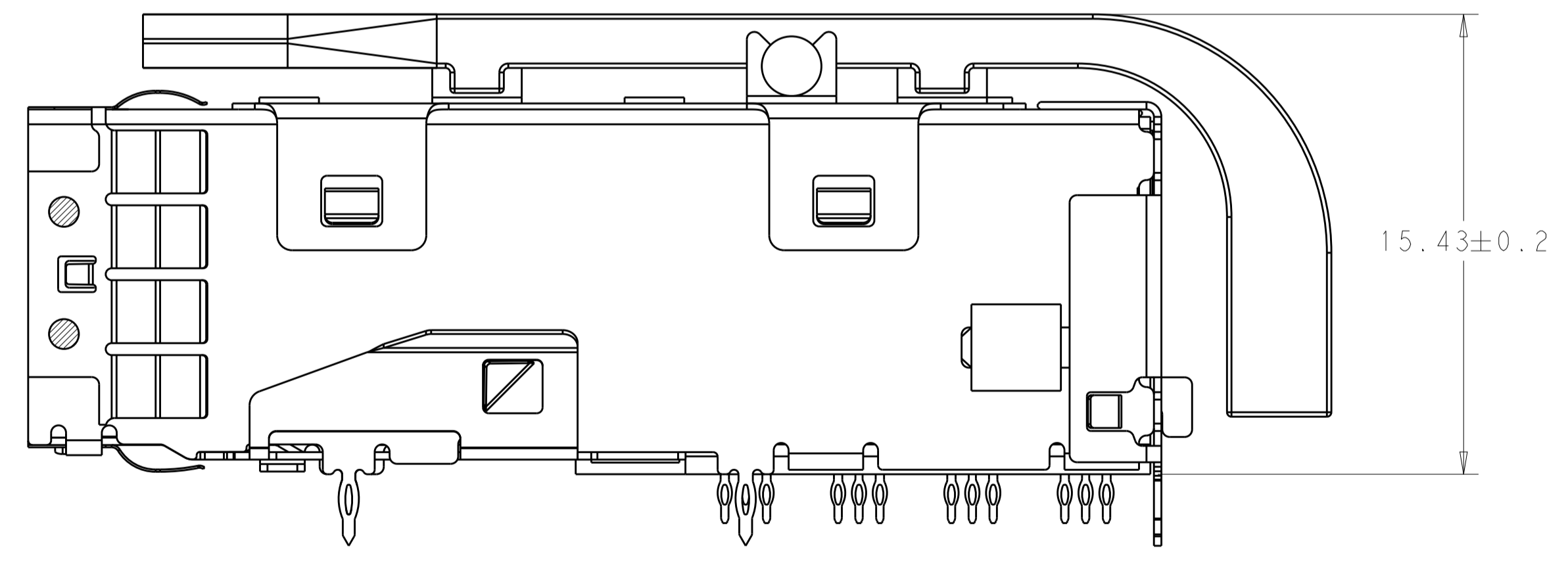
RESTRICTED TO: -

SCALE: 6:1 SHEET 1 OF 4 REV B

LOC	DIST	REVISIONS			
P.	LTN	DESCRIPTION	DATE	DWN	APVD
-	-	SEE SHEET 1	-	-	-



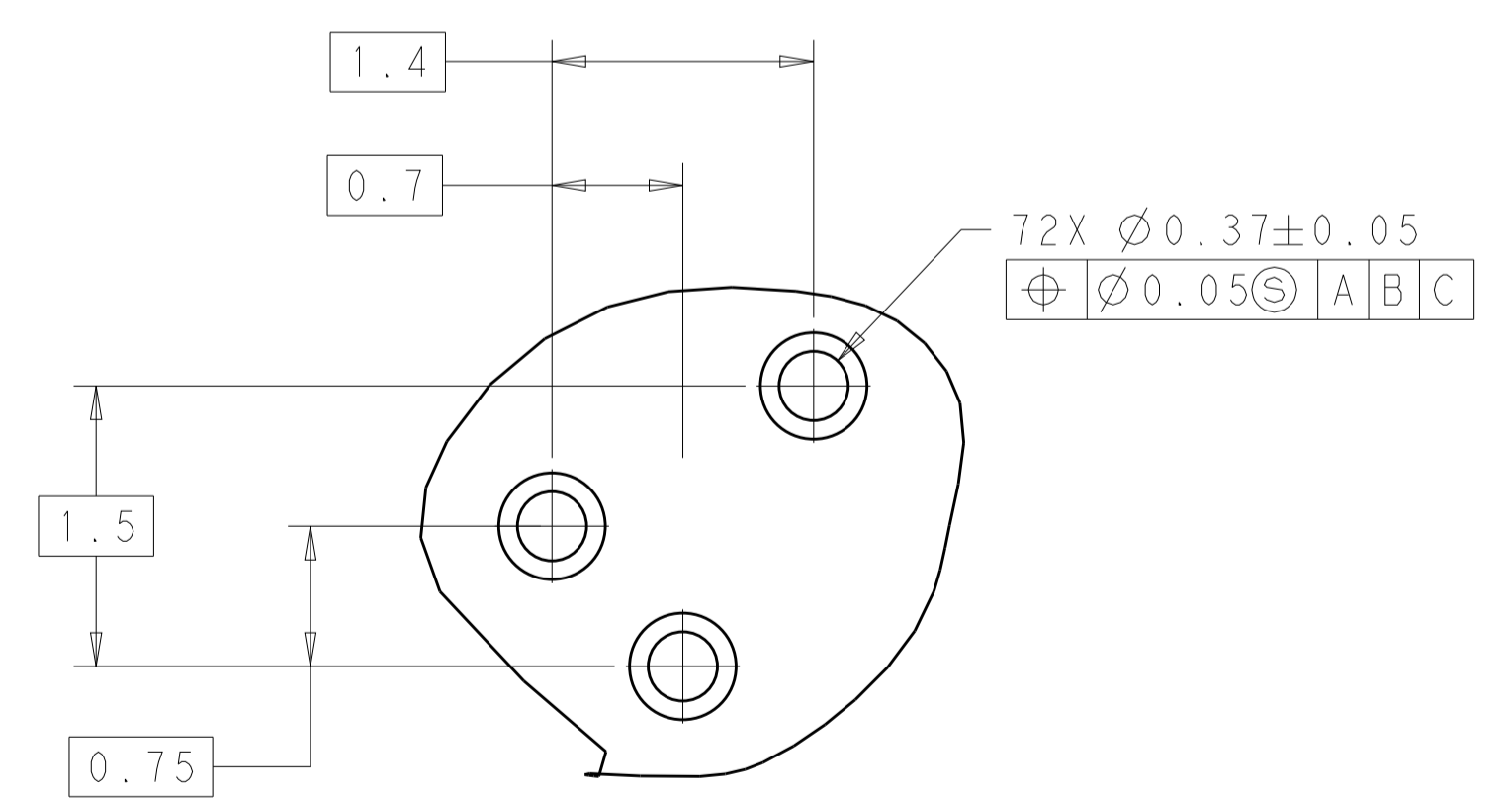
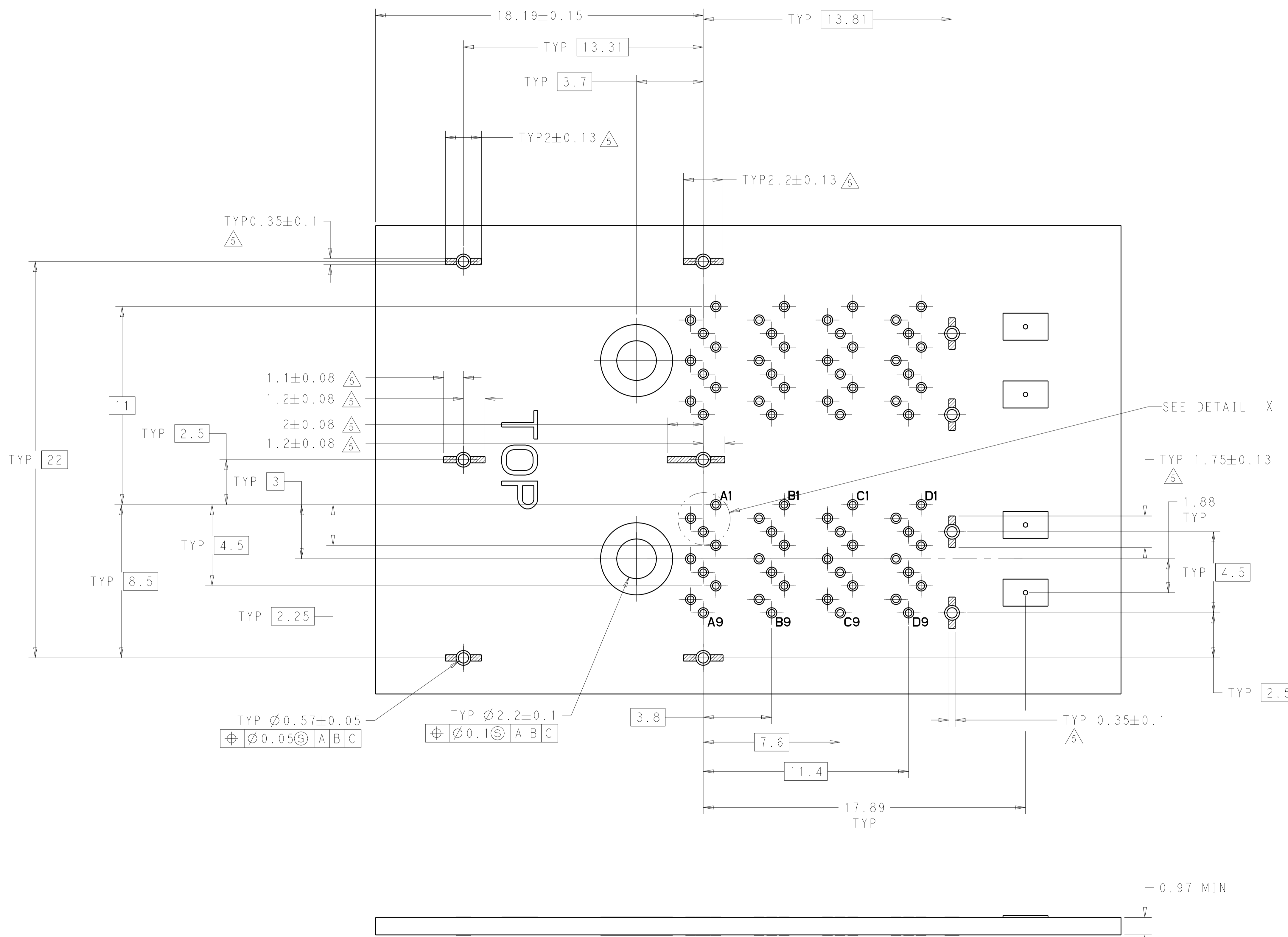
2198483-1
 SCALE 6:1



2198483-2
 UNSPECIFIED DIMENSIONS ARE SAME AS 2198483-1
 SCALE 6:1

THIS DRAWING IS A CONTROLLED DOCUMENT.		DWN J. SECHRIST 15NOV2011	
DIMENSIONS: mm		CHK J. SECHRIST 15NOV2011	
TOLERANCES UNLESS OTHERWISE SPECIFIED:		APVD J. SECHRIST	NAME RECEPTACLE ASSEMBLY, MINI-SAS HD, 2X W/ LIGHT PIPES
0 PLC ±	PRODUCT SPEC	108-2462	SIZE CAGE CODE DRAWING NO
1 PLC ±0.25	APPLICATION SPEC	114-13316	RESTRICTED TO
2 PLC ±0.13	WEIGHT	-	A100779C=2198483
3 PLC ±	Customer Drawing	SCALE 6:1	SHEET 2 OF 4
4 PLC ±			REV B
ANGLES ±			
FINISH			

LOC	DIST	REVISIONS			
P	LTN	DESCRIPTION	DATE	DWN	APVD
-	-	SEE SHEET 1	-	-	-

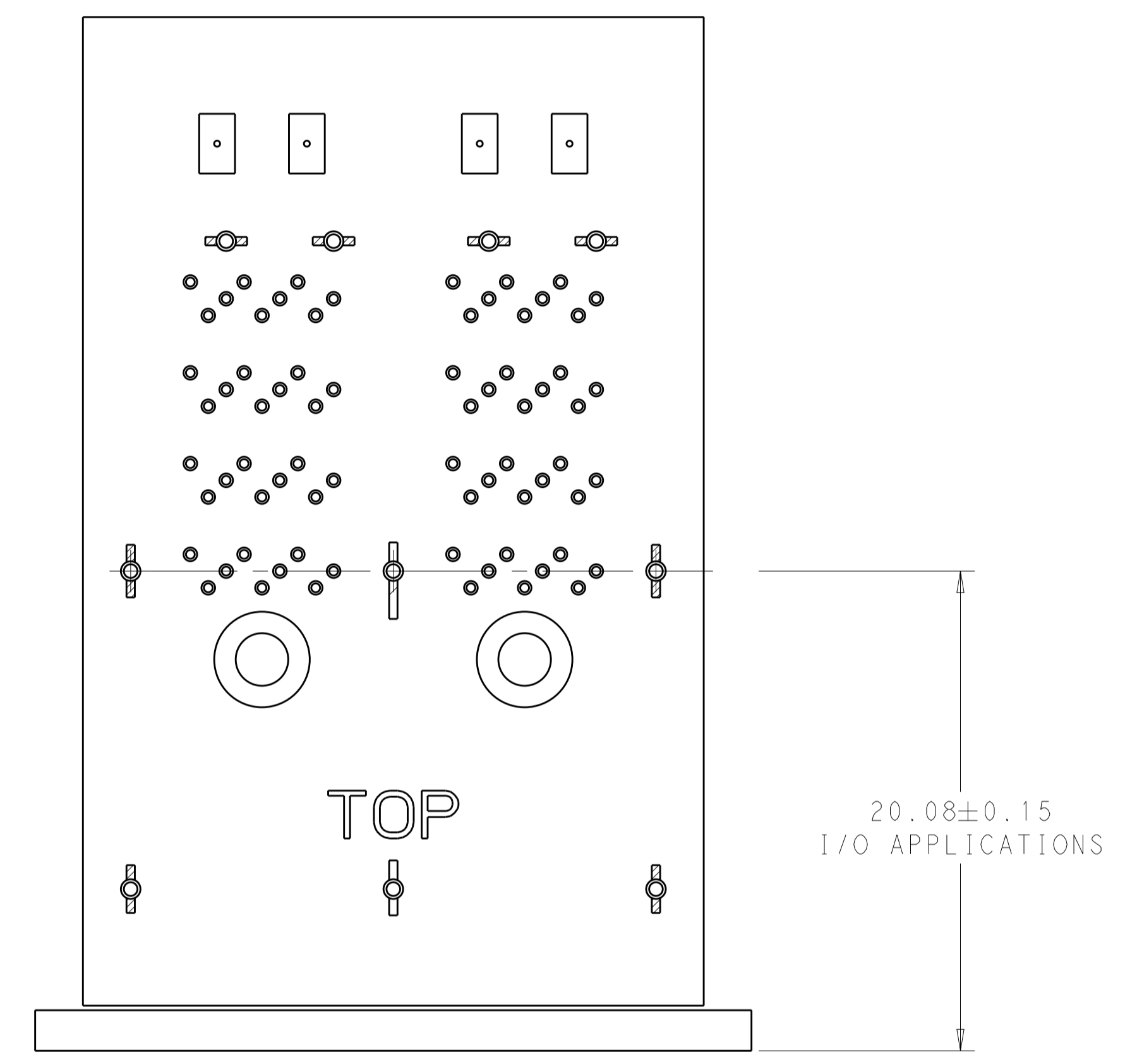
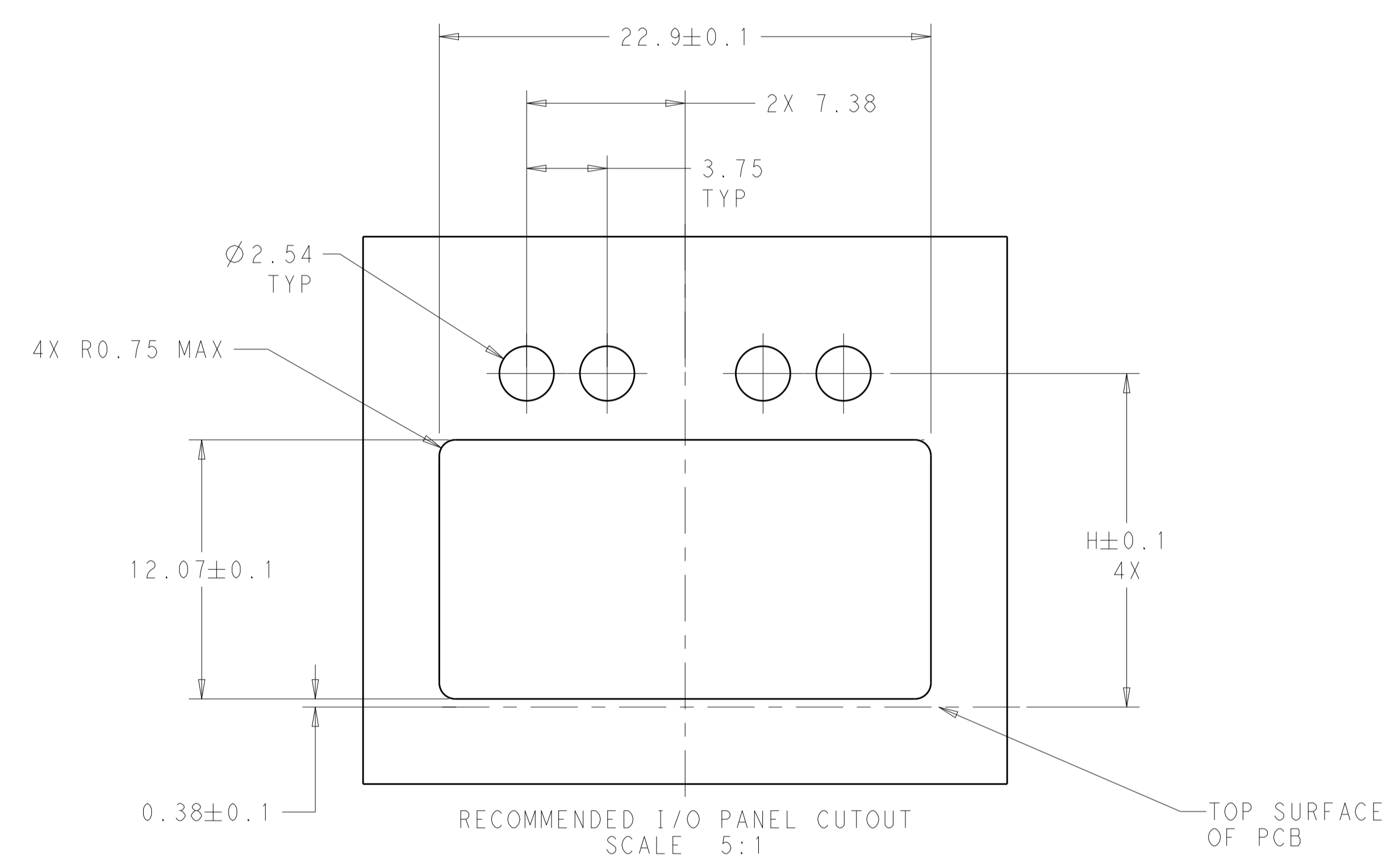


DETAIL X
SCALE 25:1

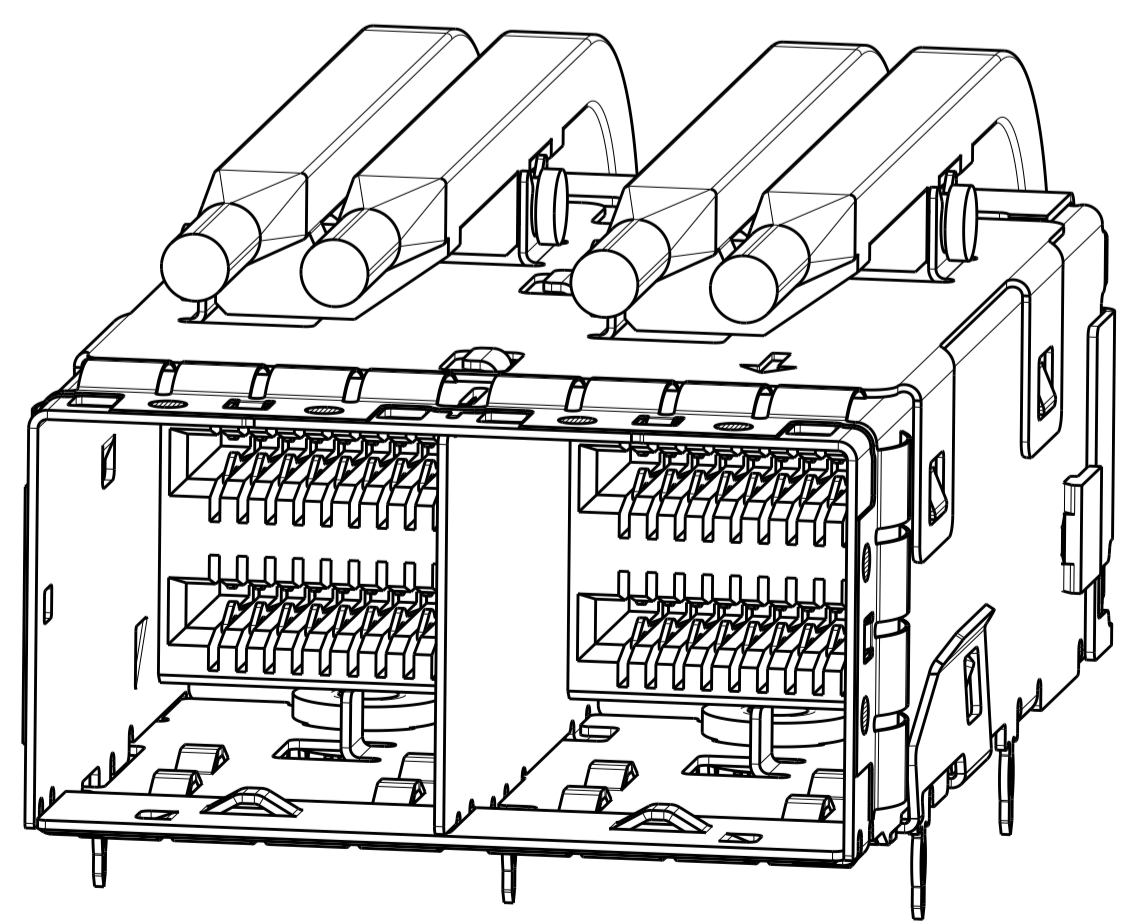
RECOMMENDED PCB LAYOUT

THIS DRAWING IS A CONTROLLED DOCUMENT.		DWN: J. SECHRIST 15NOV2011	TE Connectivity
DIMENSIONS: mm		CHK: J. SECHRIST 15NOV2011	
TOLERANCES UNLESS OTHERWISE SPECIFIED:		APVD: -	NAME: RECEPTACLE ASSEMBLY, MINI-SAS HD, 2X W/ LIGHT PIPES
0 PLC ±0.25	1 PLC ±0.13	PRODUCT SPEC: 108-2462	SIZE: 114-13316
2 PLC ±0.13	3 PLC ±0.13	APPLICATION SPEC: -	RESTRICTED TO: -
4 PLC ±0.13	ANGLES ±0.13	WEIGHT: -	SCALE: 6:1
MATERIAL: -	FINISH: -	Customer Drawing	SHEET 3 OF 4
MATERIAL: -		Customer Drawing	REV B

LOC	DIST	REVISIONS			
P	LTH	DESCRIPTION	DATE	DWN	APVD
-	-	SEE SHEET 1	-	-	-



PANEL/PCB ASSEMBLY
 SCALE 5:1



THIS DRAWING IS A CONTROLLED DOCUMENT.		DWN J. SECHRIST 15NOV2011	TE Connectivity	
DIMENSIONS:		CHK J. SECHRIST 15NOV2011		
mm	TOLERANCES UNLESS OTHERWISE SPECIFIED:	APVD	NAME RECEPTACLE ASSEMBLY, MINI-SAS HD, 2X W/ LIGHT PIPES	
	0 PLC ± 1 PLC ±0.25 2 PLC ±0.13 3 PLC ± 4 PLC ± ANGLES ±	PRODUCT SPEC 108-2462	SIZE A100779	
MATERIAL	FINISH	APPLICATION SPEC 114-13316	CAGE CODE DRAWING NO C=2198483	
-	-	WEIGHT	RESTRICTED TO	
-	-	Customer Drawing	SCALE 6:1 SHEET 4 OF 4 REV B	

X-ON Electronics

Largest Supplier of Electrical and Electronic Components

Click to view similar products for [I/O Connectors](#) category:

Click to view products by [TE Connectivity](#) manufacturer:

Other Similar products are found below :

[571763P](#) [72.250.1628.2](#) [72.250.2428.2](#) [74720-0505](#) [76.350.0729.0](#) [76871-1403](#) [FCN-244F080-G/1](#) [FCN-260A9920](#) [MP-5T180MUNNA-005](#)
[PCR-E36PM](#) [PCS-XE26MA+](#) [G38A71314B](#) [1571250010](#) [157-22500-3](#) [MS3471L14-19P L/C](#) [91-569786-35H](#) [172501-4002](#) [172501-6002](#)
[FCN-260C008-A/L0](#) [FCN-260C024-AL0](#) [FCN-261Z008](#) [2000314-1](#) [200331-1](#) [PCR-E36FC+](#) [PCS-E28FS+](#) [PCS-XE26SLFD+](#) [PCS-](#)
[XE26SLFDT+](#) [G730VID08BDC24](#) [U90B2054081210](#) [UE86K842720321](#) [38113800006](#) [DP3AR020WQ1R200](#) [Z4.102.0680.0](#) [500-1040](#)
[500-1052](#) [500-1054](#) [ZP-4008-66L](#) [0709821002](#) [10-565995-597N](#) [DX40-20P\(55\)](#) [5554841-1](#) [MS3474W18-8P-LC*](#) [U90B3054061110](#) [U65-](#)
[E04-4020](#) [ZPF000000000097891](#) [557-262M2-06C](#) [747360449](#) [10099439-003C-TRLF](#) [10137239-0021LF](#) [E9320-001-01](#)