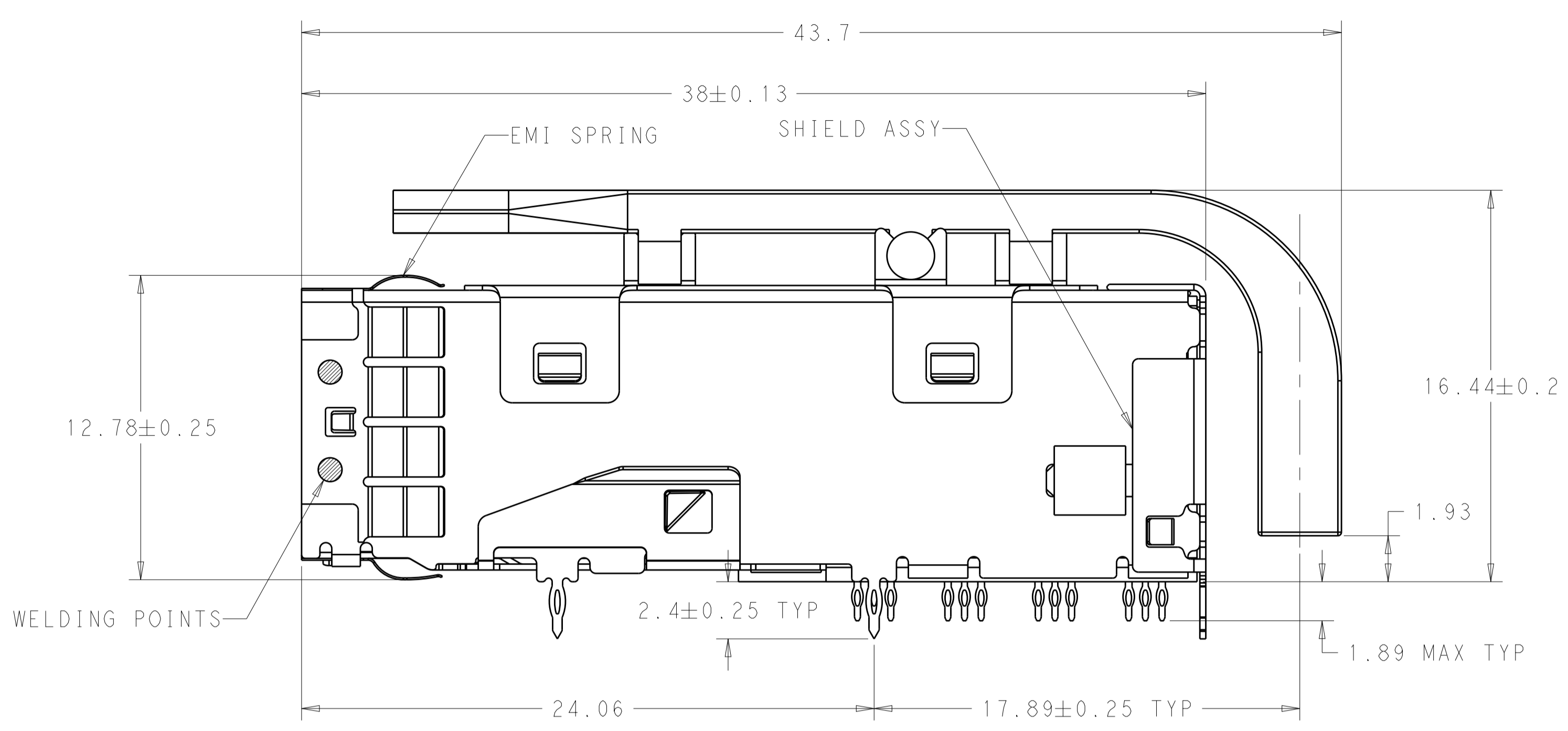
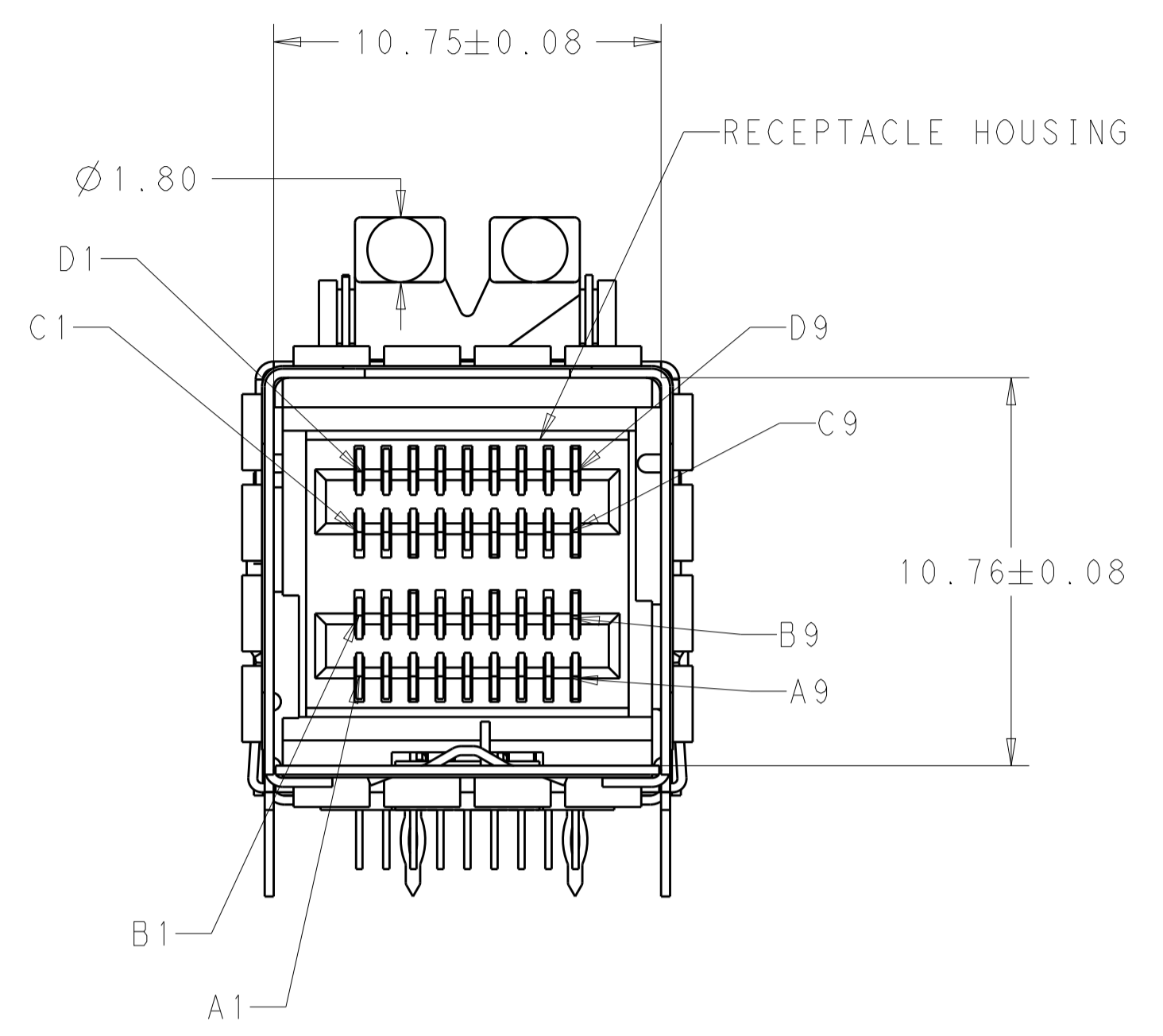
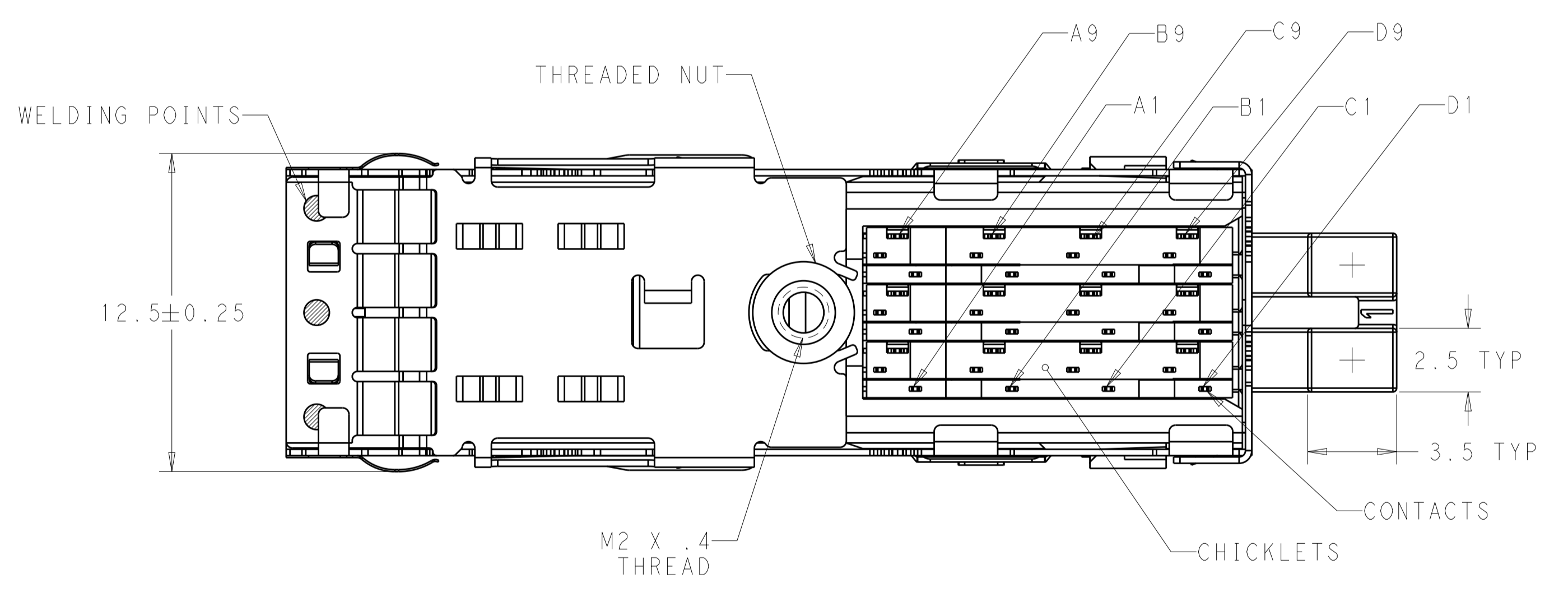


LOC		DIST		REVISIONS			
P	LTN	DESCRIPTION	DATE	DWN	APVD		
A		REVISED PER ECO-14-018497	17DEC2014	AP	DG		
B		REVISED PER ECO-15-013728	23SEP2015	JY	SH		
C		REVISED PER ECO-15-013876	16MAY2016	JY	SH		



- 1. MATERIALS**  
 RECEPTACLE HOUSING: LCP, BLACK, UL94V-0 RATED  
 SHIELD ASSY: NICKEL-SILVER COPPER ALLOY  
 CONTACTS: COPPER ALLOY  
 EMI SPRING: COPPER ALLOY  
 THREADED NUT: BRASS  
 CHICKLETS: LCP, BLACK, UL 94V-0 RATED  
 LIGHTPIPE CLIP: STAINLESS STEEL  
 LIGHTPIPE: POLYCARBONATE
  - 2. FINISH**  
 EMI SPRING: TIN PLATE OVER NICKEL PLATE  
 NON-PLATED EDGES PERMISSABLE  
 THREADED NUT: NICKEL PLATE
- △ CONTACT FINISH: CONFORMS TO THE REQUIREMENTS OF TE PRODUCT SPECIFICATION, 108-2399. BASED ON EIA/ECA-364-1000.01A. (CONTROLLED ENVIRONMENT APPLICATIONS) ON MATING END. TIN PLATED ON PCB TAIL
4. THREAD LENGTH OF FASTENER = PCB THICKNESS+1.45 MAX
- △ RECOMMENDED TRACE KEEP OUT ZONE

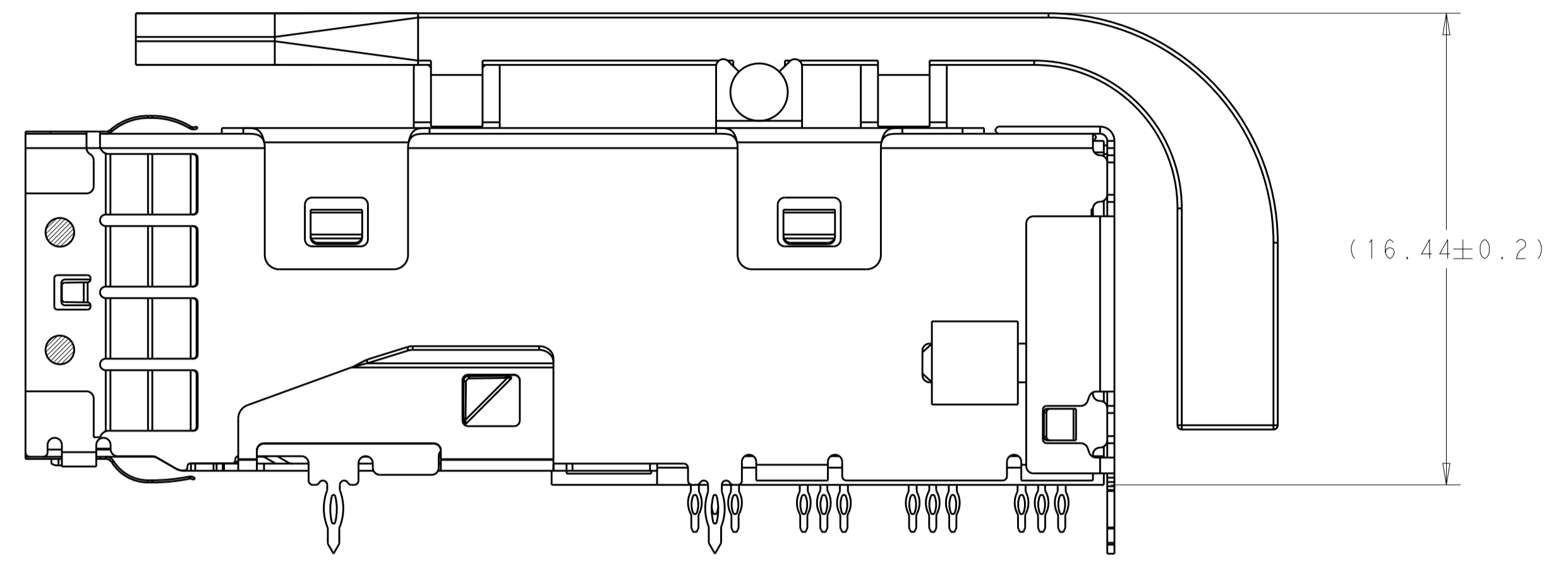


2198484-1 AS SHOWN

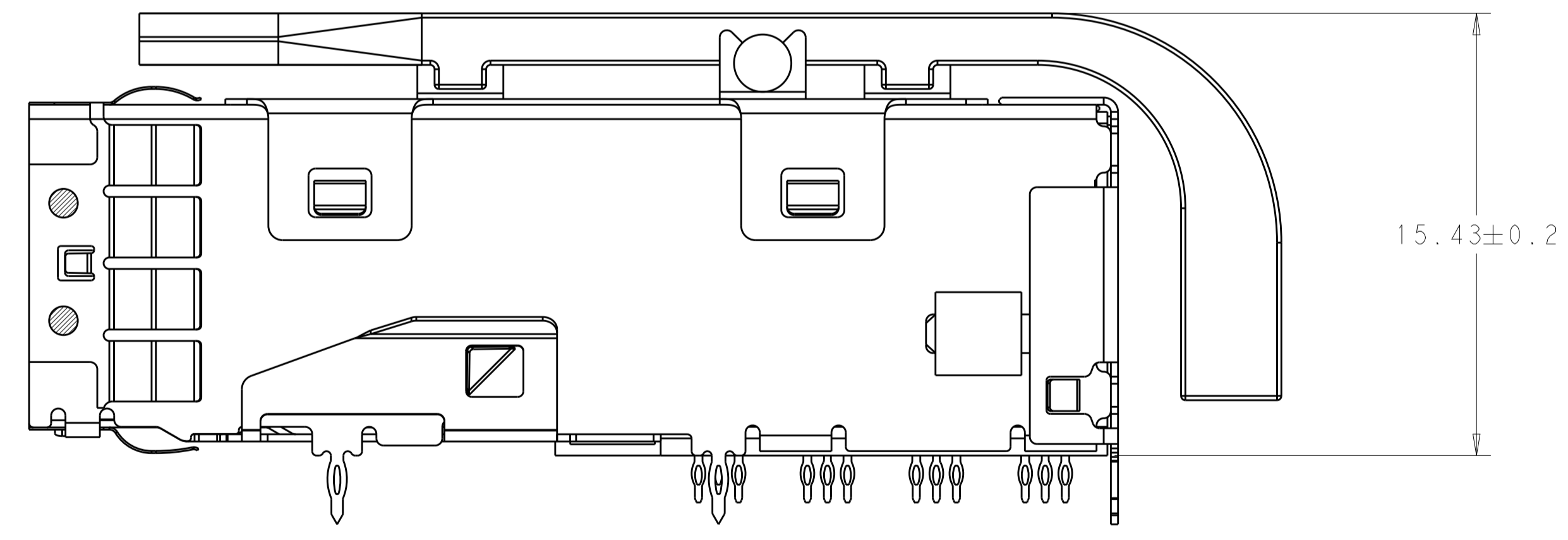
LOWER HEIGHT	14.53	2198484-2
STANDARD HEIGHT	15.54	2198484-1
LIGHT PIPE	H HOLE HIGHT OF LP	PART NUMBER

THIS DRAWING IS A CONTROLLED DOCUMENT.		DWN: J. SECHRIST 15NOV2011	
DIMENSIONS: mm		CHK: J. SECHRIST 15NOV2011	
TOLERANCES UNLESS OTHERWISE SPECIFIED: 0 PLC ± 1 PLC ±0.25 2 PLC ±0.13 3 PLC ± 4 PLC ± ANGLES ± FINISH		PRODUCT SPEC: 108-2462 APPLICATION SPEC: 114-13316 WEIGHT:	NAME: RECEPTACLE ASSEMBLY, MINI-SAS HD, 1X W/ LIGHT PIPES SIZE: A1 CAGE CODE: 00779 DRAWING NO: C=2198484 RESTRICTED TO:
MATERIAL:		Customer Drawing	SCALE: 6:1 SHEET 1 OF 4 REV C

LOC		DIST		REVISIONS			
P	LTN	DESCRIPTION	DATE	DWN	APVD		
A		REVISED PER ECO-14-018497	17DEC2014	AP	DG		



2198484-1 AS SHOWN  
 SCALE 6:1

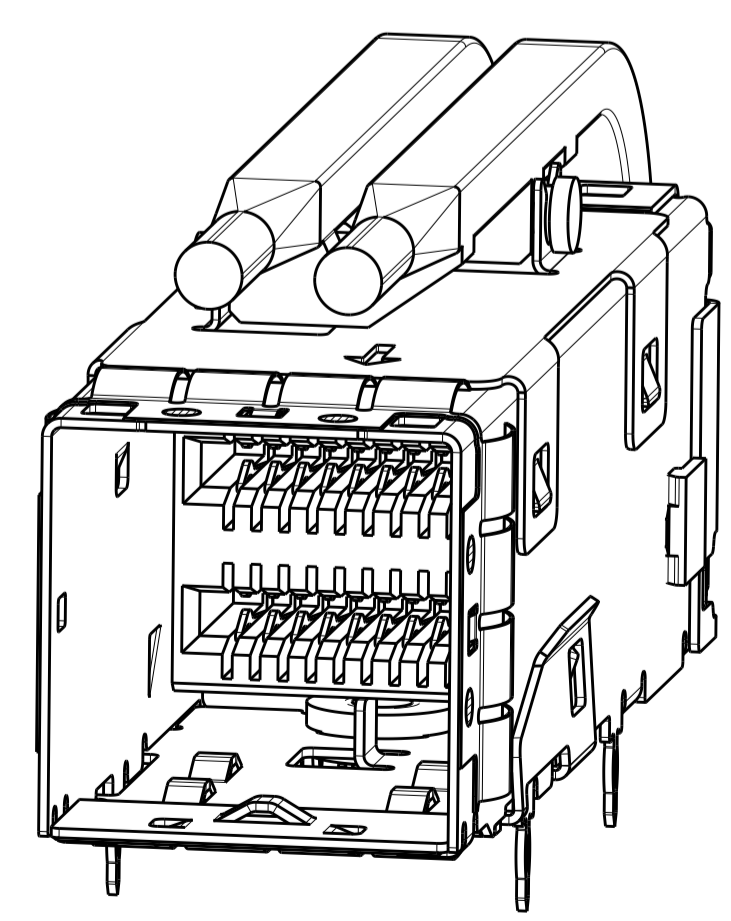
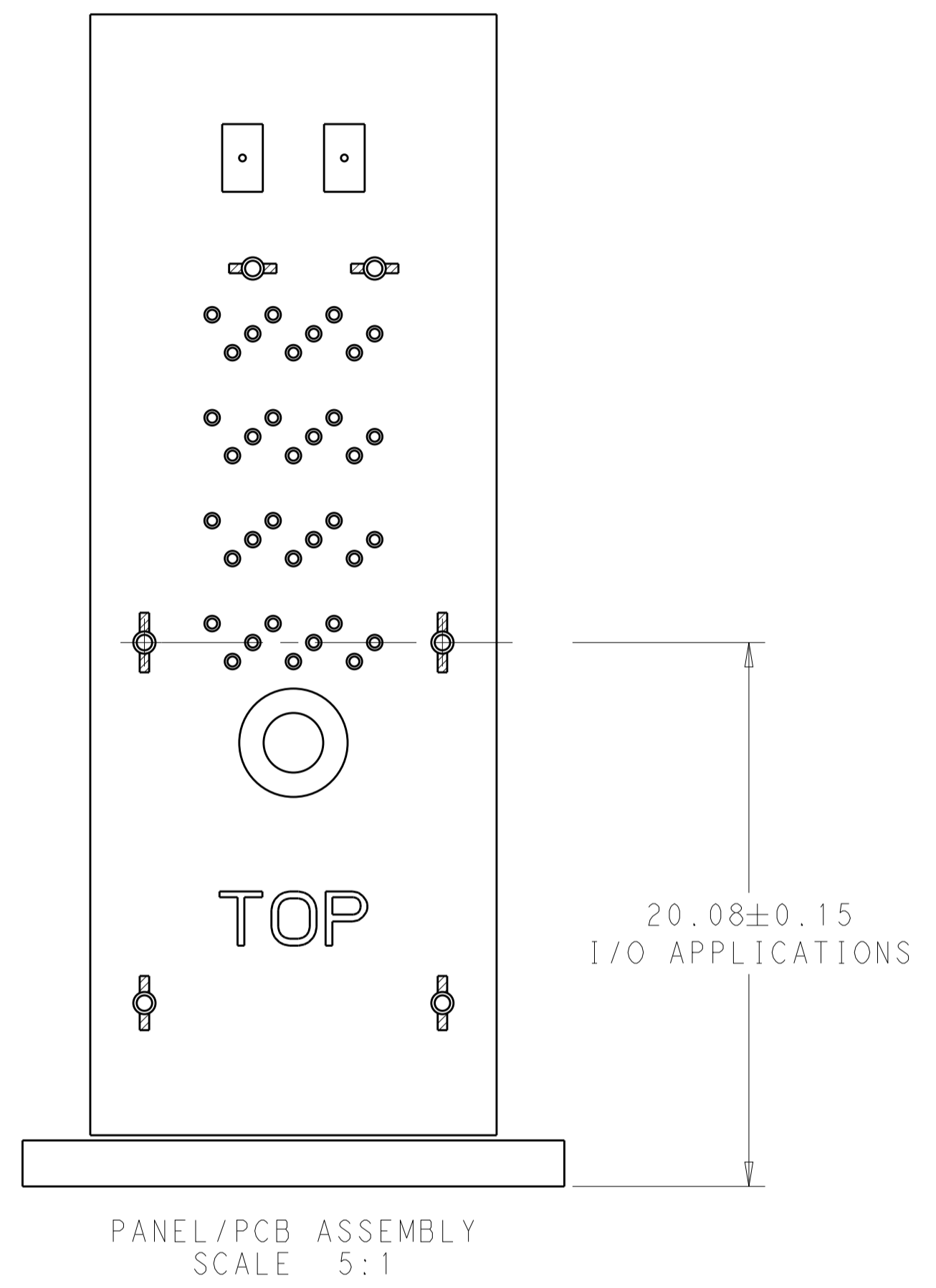
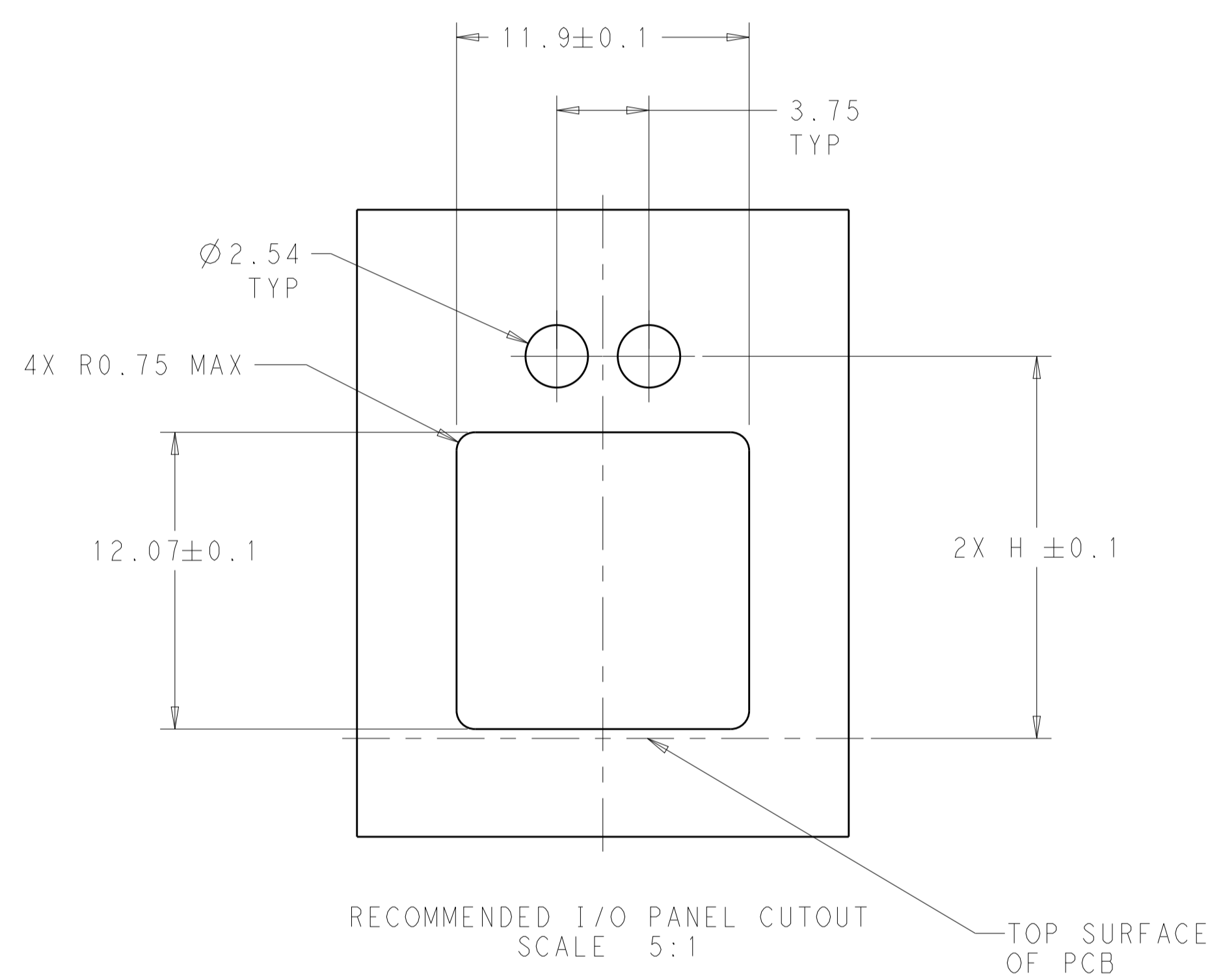


2198484-2 AS SHOWN  
 UNSPECIFIED DIMENSIONS ARE SAME AS 2198484-1  
 SCALE 6:1

THIS DRAWING IS A CONTROLLED DOCUMENT.		DWN	J. SECHRIST	15NOV2011	
		CHK	J. SECHRIST	15NOV2011	
DIMENSIONS:		TOLERANCES UNLESS OTHERWISE SPECIFIED:		NAME	
mm	0 PLC ±	PRODUCT SPEC		RECEPTACLE ASSEMBLY,	
	1 PLC ±0.25	108-2462		MINI-SAS HD, 1X	
	2 PLC ±0.13	APPLICATION SPEC		W/ LIGHT PIPES	
	3 PLC ±	114-13316		SIZE	CAGE CODE DRAWING NO
	4 PLC ±	WEIGHT		A100779	C=2198484
	ANGLES ±	Customer Drawing		SCALE	6:1
MATERIAL	FINISH	SHEET		2	OF
		REV		4	C



LOC	DIST	REVISIONS			
P	LTN	DESCRIPTION	DATE	DWN	APVD
-	-	SEE SHEET 1	-	-	-



THIS DRAWING IS A CONTROLLED DOCUMENT.		DWN J. SECHRIST 15NOV2011	TE Connectivity <b>RECEPTACLE ASSEMBLY,                  MINI-SAS HD, 1X                  W/ LIGHT PIPES</b>
DIMENSIONS:		CHK J. SECHRIST 15NOV2011	
mm	TOLERANCES UNLESS OTHERWISE SPECIFIED:	APVD	NAME
0 PLC	±	PRODUCT SPEC	SIZE
1 PLC	±0.25	108-2462	CAGE CODE
2 PLC	±0.13	APPLICATION SPEC	DRAWING NO
3 PLC	±	114-13316	RESTRICTED TO
4 PLC	±	WEIGHT	A100779
ANGLES	±	Customer Drawing	SCALE 6:1
MATERIAL	FINISH	Customer Drawing	SHEET 4 OF 4
			REV C

## X-ON Electronics

Largest Supplier of Electrical and Electronic Components

*Click to view similar products for [I/O Connectors](#) category:*

*Click to view products by [TE Connectivity](#) manufacturer:*

Other Similar products are found below :

[571763P](#) [58098-0628](#) [72.250.1628.2](#) [72.250.2428.2](#) [74720-0505](#) [76.350.0729.0](#) [76871-1403](#) [FCN-244F080-G/1](#) [FCN-260A9920](#) [PCR-E36PM](#) [PCS-XE26MA+](#) [G38A71314B](#) [DX40-50P\(55\)](#) [1571250010](#) [157-22500-3](#) [MS3471L14-19P L/C](#) [91-569786-35H](#) [172501-4002](#) [172501-6002](#) [FCN-260C008-A/L0](#) [FCN-260C024-AL0](#) [FCN-261Z008](#) [2000314-1](#) [200331-1](#) [PCR-E36FC+](#) [PCS-E28FS+](#) [PCS-XE26SLFD+](#) [PCS-XE26SLFDT+](#) [G730VID08BDC24](#) [U90B2054081210](#) [UE86K842720321](#) [38113800006](#) [DP3AR020WQ1R200](#) [Z4.102.0680.0](#) [500-1040](#) [500-1052](#) [500-1054](#) [ZP-4008-66L](#) [0709821002](#) [10-565995-597N](#) [DX40-20P\(55\)](#) [5554841-1](#) [MS3474W18-8P-LC\\*](#) [U90B3054061110](#) [U65-E04-4020](#) [ZPF000000000097891](#) [557-262M2-06C](#) [747360449](#) [10099439-003C-TRLF](#) [10137239-0021LF](#)