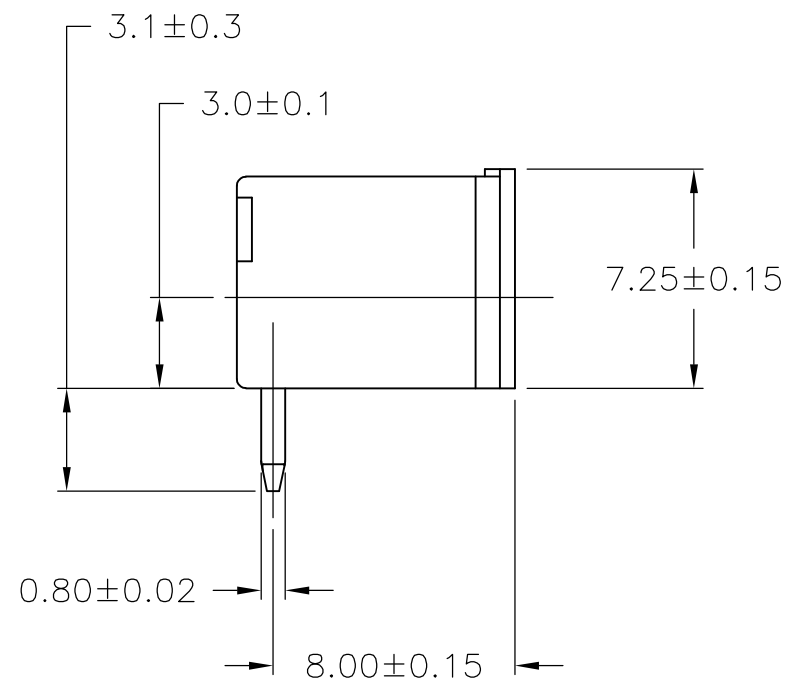
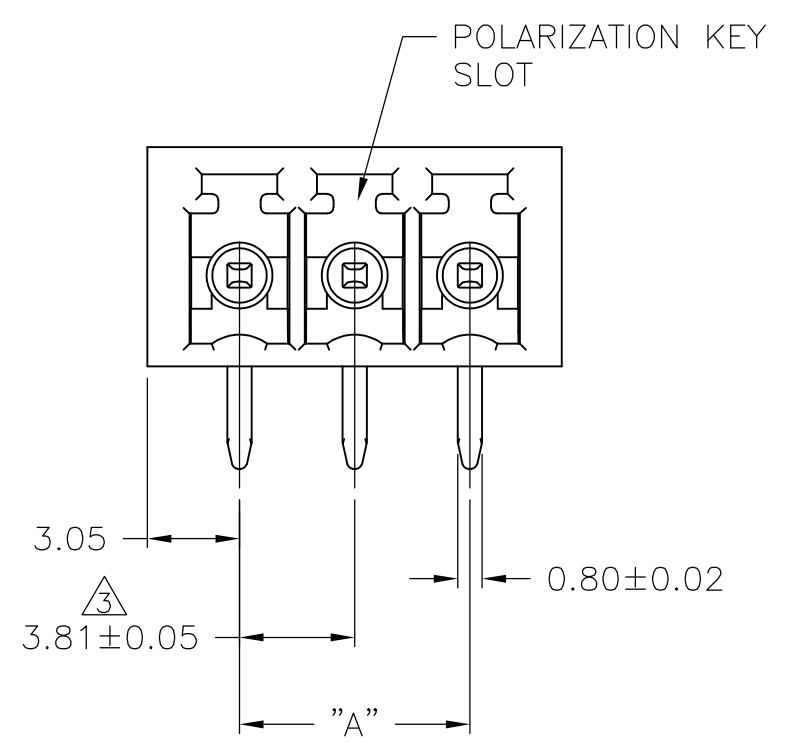


THIS DRAWING IS UNPUBLISHED. RELEASED FOR PUBLICATION
 © COPYRIGHT - By - ALL RIGHTS RESERVED.

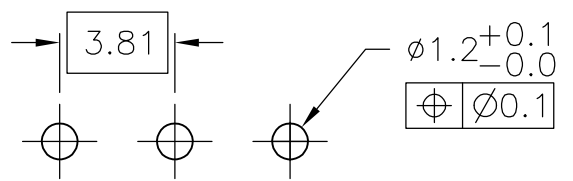
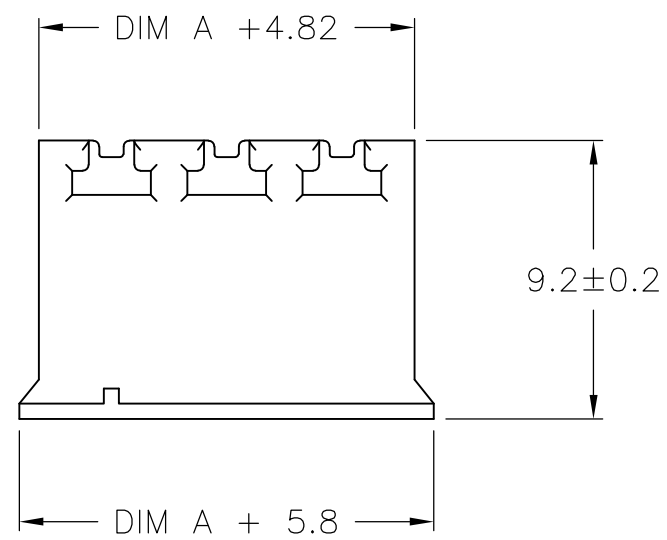
LOC	DIST	REVISIONS			
P	LTR	DESCRIPTION	DATE	DWN	APVD
	A	PART NOS ADDED, NOTES UPDATED	10JUL2015	PS	JK



91.44	25	2-1986343-5
87.63	24	2-1986343-4
83.82	23	2-1986343-3
80.01	22	2-1986343-2
76.20	21	2-1986343-1
72.39	20	2-1986343-0
68.58	19	1-1986343-9
64.77	18	1-1986343-8
60.96	17	1-1986343-7
57.15	16	1-1986343-6
53.34	15	1-1986343-5
49.53	14	1-1986343-4
45.72	13	1-1986343-3
41.91	12	1-1986343-2
38.10	11	1-1986343-1
34.29	10	1-1986343-0
30.48	9	1986343-9
26.67	8	1986343-8
22.86	7	1986343-7
19.05	6	1986343-6
15.24	5	1986343-5
11.43	4	1986343-4
7.62	3	1986343-3
3.81	2	1986343-2
DIM "A"	NO. OF POS.	PART NO.

NOTES:

- MATERIALS AND FINISH:
HOUSING : PA 6.6, UL 94-V0, COLOR: BLACK
TERMINAL : PHOSPHOR BRONZE, TIN PLATED
- SUITABLE FOR 1.6-2.4 mm. PC BOARD THICKNESS.
- NOT CUMULATIVE TOLERANCE.
- OPERATING TEMPERATURE RANGE : -40°C TO +110°C
- ELECTRICAL:
CURRENT RATING: 11A
VOLTAGE RATING : 300V
WIRE SIZE RANGE: 30 - 14 AWG
CONTACT RESISTANCE: <15m Ohm
INSULATION RESISTANCE: 1000M Ohm (500V DC)



RECOMMENDED PC BOARD LAYOUT

THIS DRAWING IS A CONTROLLED DOCUMENT.		DWN S SCHLEGEL 30JAN2008	STE TE Connectivity	
DIMENSIONS: mm		CHK C RICHARD 1/30/08		
TOLERANCES UNLESS OTHERWISE SPECIFIED:		APVD C RICHARD 1/30/08	NAME	
0 PLC ± -		PRODUCT SPEC	TERMINAL BLOCK HEADER ASSEMBLY	
1 PLC ± 0.2		APPLICATION SPEC	90 DEGREE, CLOSED ENDS 3.81mm PITCH	
2 PLC ± 0.15		WEIGHT -	SIZE A3	CAGE CODE 00779
3 PLC ± -		MATERIAL -	DRAWING NO	RESTRICTED TO
4 PLC ± -			C-1986343	
ANGLES ± 2'		FINISH -	SCALE 4:1	SHEET 1 OF 1
MATERIAL -		FINISH -	CUSTOMER DRAWING	REV A

X-ON Electronics

Largest Supplier of Electrical and Electronic Components

Click to view similar products for [Headers & Wire Housings](#) category:

Click to view products by [TE Connectivity](#) manufacturer:

Other Similar products are found below :

[892-18-020-10-001101](#) [58102-G61-06LF](#) [582553-1](#) [0009485154](#) [009176003701906](#) [0050291907](#) [LY20-4P-DT1-P1E-BR](#) [02.125.8002.8](#)
[609-3404](#) [61062-3](#) [61082-181009](#) [622-3653LF](#) [63453-116](#) [636-1030](#) [636-1427](#) [636-3427](#) [636-4007](#) [641938-9](#) [641991-4](#) [644827-2](#) [65817-010LF](#) [65817-015LF](#) [65863-015LF](#) [66207-023LF](#) [67095-007LF](#) [67601157](#) [68645-018](#) [68648-049](#) [70.362.1628.0](#) [70-4210](#) [70-4226B](#) [70-4853B](#) [707-5020](#) [707-5028](#) [71.350.2428.0](#) [71918-208LF](#) [71961-016LF](#) [733-134](#) [733-162](#) [754199-000](#) [760-3052](#) [787-8014-00](#) [79531-3000](#)
[FCN-360C032-B](#) [FCN-367T-T012/H](#) [FCN-723D010/2](#) [80.063.4001.1](#) [800-90-001-10-001000](#) [800-90-010-10-002000](#) [801-43-002-10-013000](#)