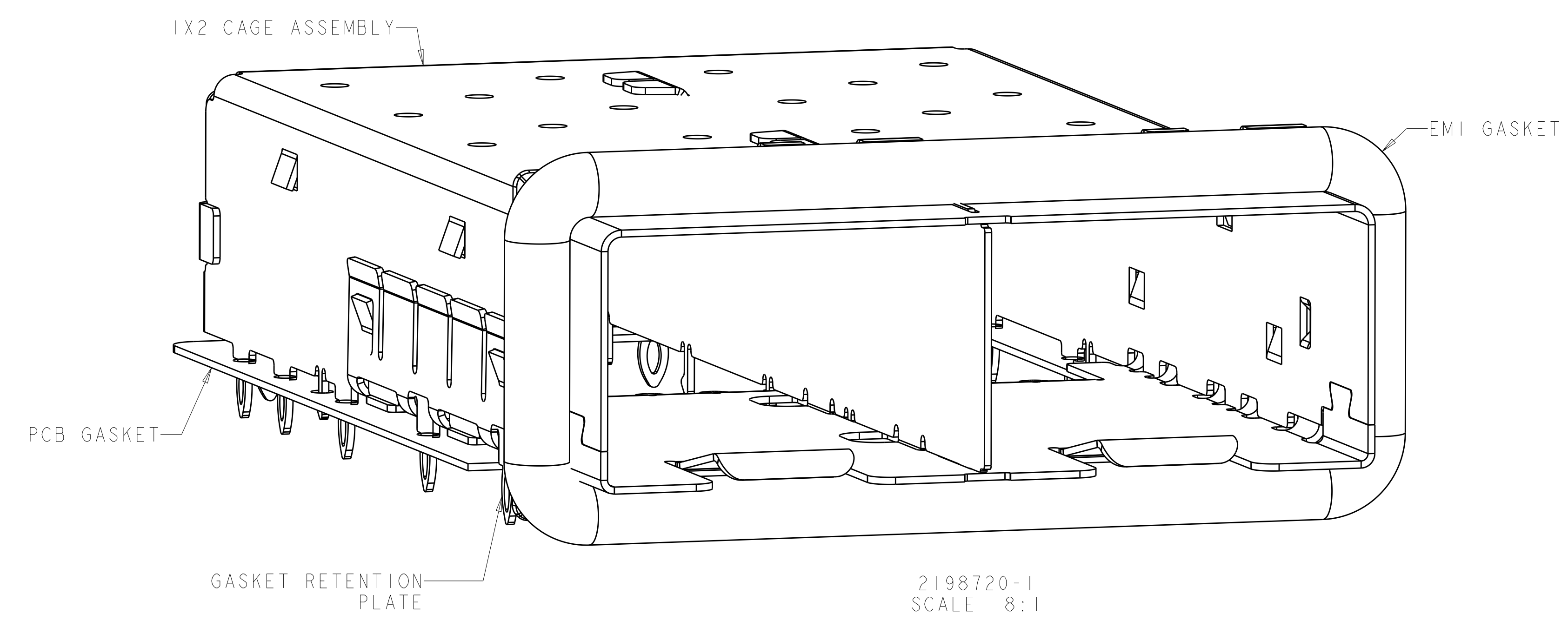
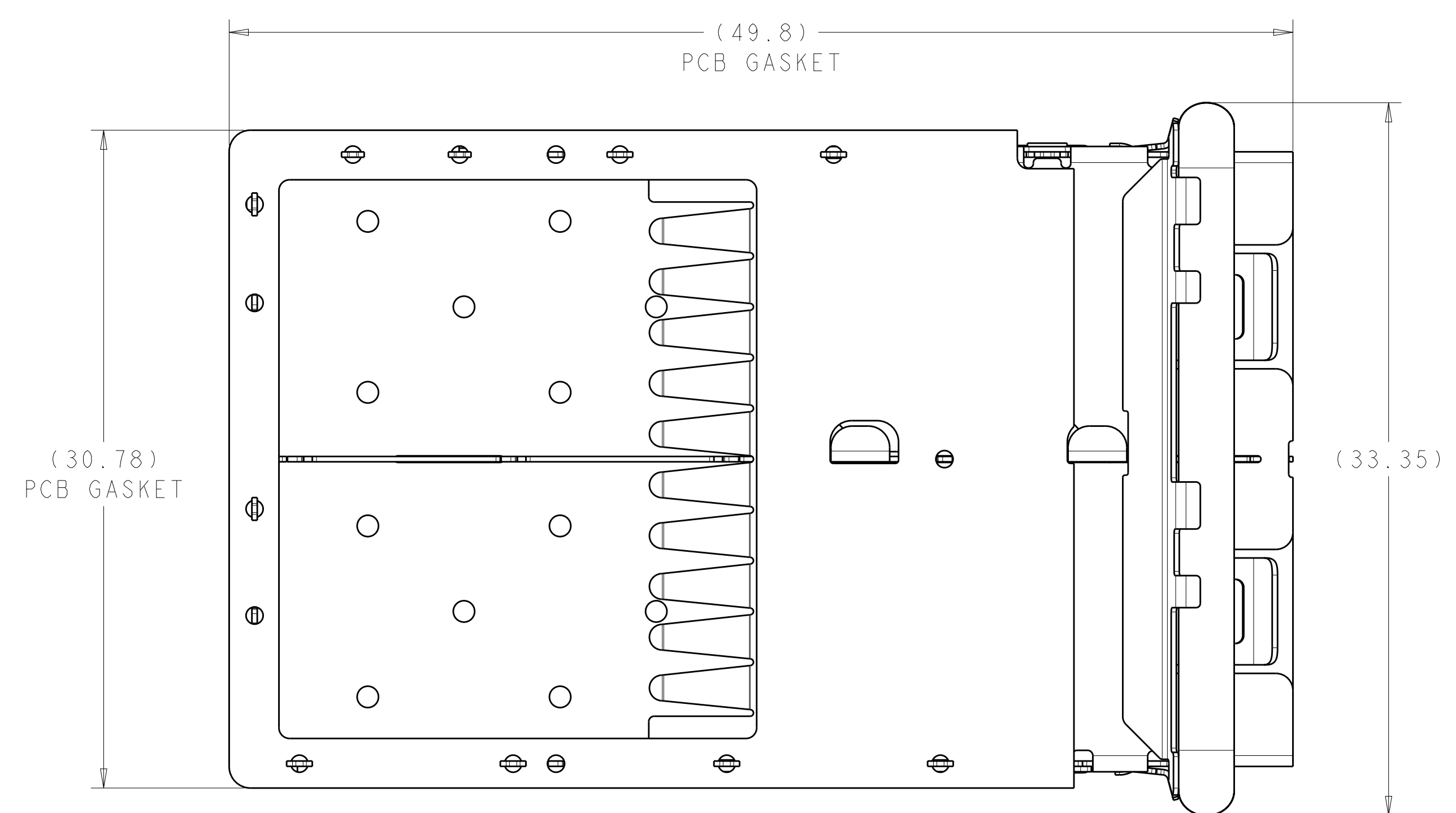
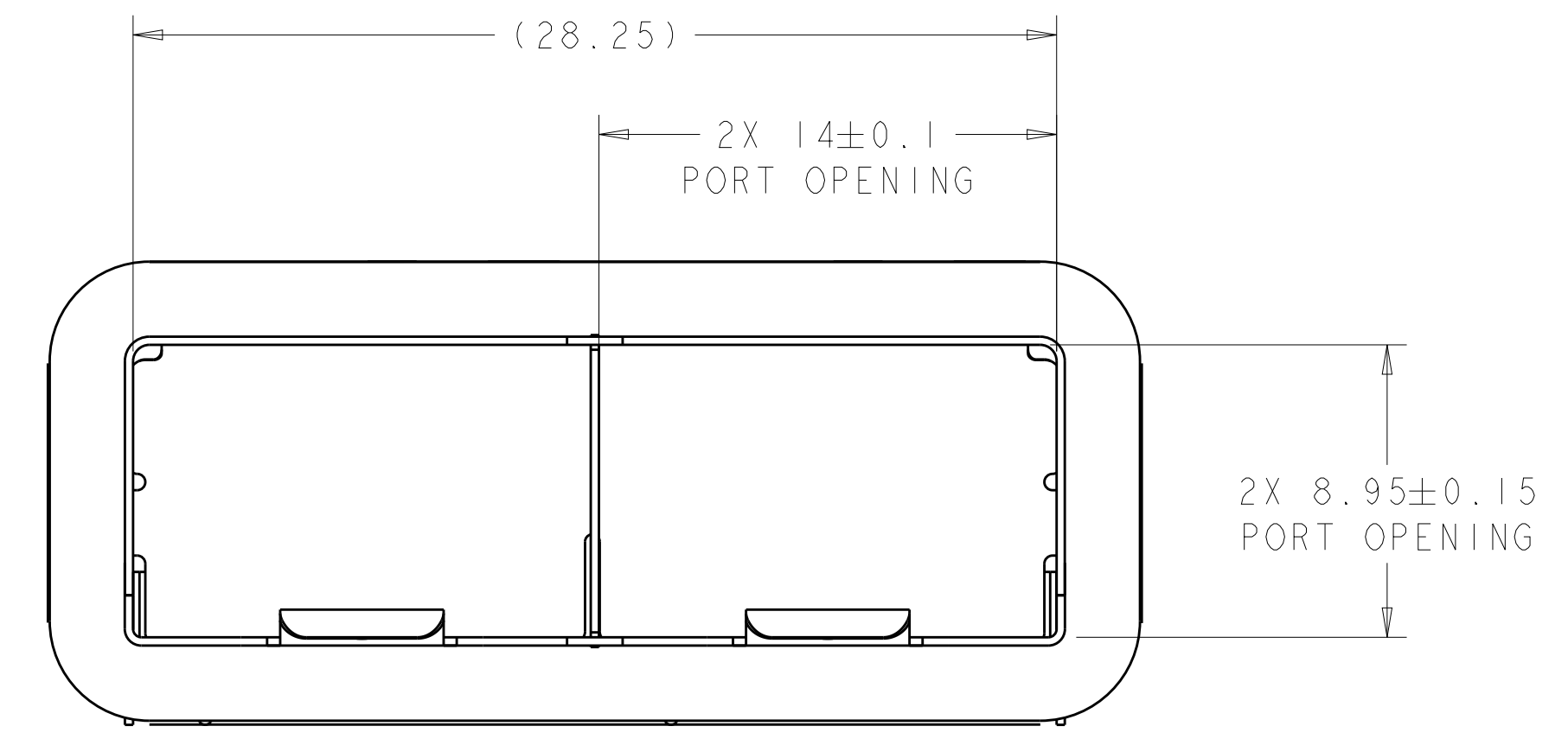
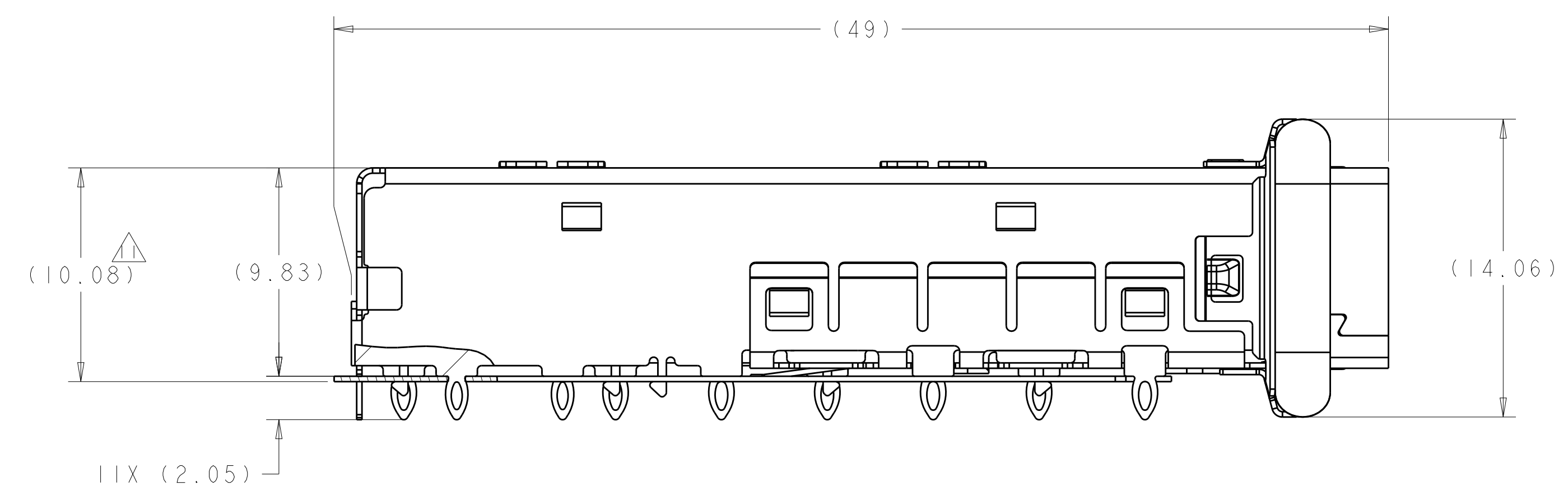


LOC	DIST	REVISIONS			
GP	00	REV	DATE	BY	CHK
		A	05MAR2015	AP	MS
		B	13FEB2017	JW	SH



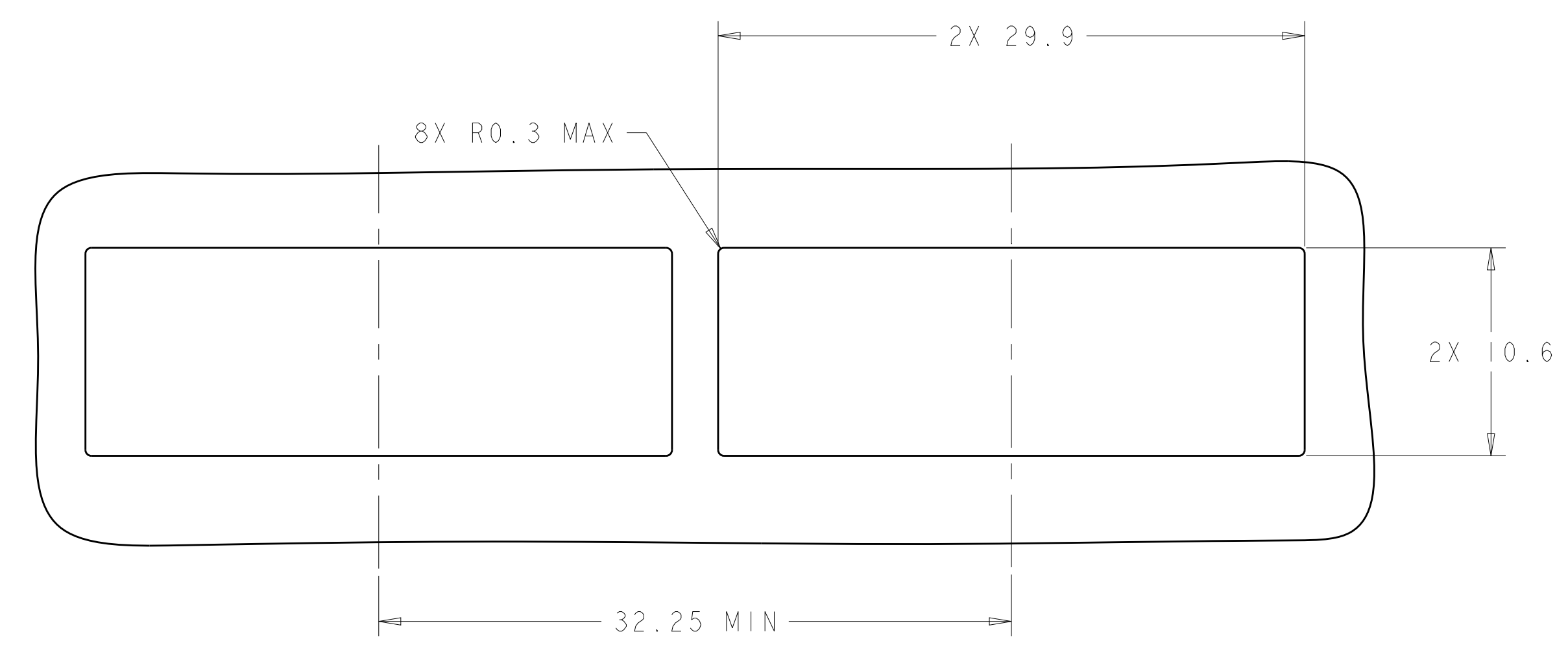
1. MATERIAL:
CAGE ASSEMBLY: NICKEL SILVER ALLOY
GASKET RETENTION PLATE: STAINLESS STEEL
EMI GASKET: PLATED FILLED SILICONE
PCB GASKET: RF ABSORBER
 2. MINIMUM PC BOARD THICKNESS:
SINGLE SIDED = 1.45mm
BELLY TO BELLY = 3mm
 3. PADS AND VIAS CHASSIS GROUND
 4. DATUM AND BASIC DIMENSION ESTABLISHED BY CUSTOMER
 5. MATES WITH SFP MSA COMPLIANT TRANSCEIVERS
 6. INTERPRETATION OF DATUM REFERENCE FRAME IN ACCORDANCE WITH SECT 4.4.1.1 OF ASME Y14.5M-1994
 7. REFERENCE APPLICATION SPEC. 114-13120, HOLE A, FOR RECOMMENDED DRILL HOLE DIAMETER AND PLATING THICKNESS
 8. REFERENCE APPLICATION SPEC. 114-13120, HOLE B, FOR RECOMMENDED DRILL HOLE DIAMETER AND PLATING THICKNESS
 9. HOLE PATTERN REPEATS FOR EACH PORT, SPACING BETWEEN PORTS IS 14.25mm
 10. PRODUCT COMPLIES WITH SPECIFICATION SFF-8433, IMPROVED PLUGGABLE FORM FACTOR FOR SFP+ GANGED CAGES
- △ CONTACT STANDOFF WILL PIERCE GASKET WHEN PROPERLY PRESSED INTO PCB



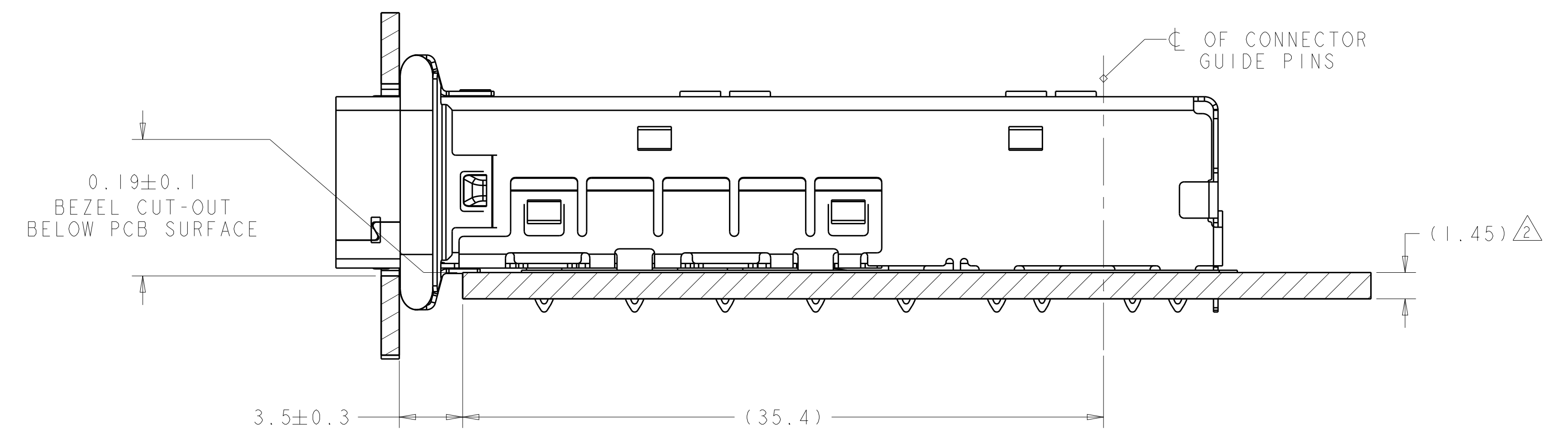
2198720-1
PART NUMBER

THIS DRAWING IS A CONTROLLED DOCUMENT.		OWN R. TREA 15AUG2012	TE Connectivity	
DIMENSIONS: mm		CHK H. HENRY 15AUG2012	NAME CAGE ASSEMBLY, ENHANCED, PRESS-FIT, 1X2, zSFP+	
TOLERANCES UNLESS OTHERWISE SPECIFIED: 0 PLC ±0.25 1 PLC ±0.25 2 PLC ±0.25 3 PLC ±0.25 4 PLC ±0.25 ANGLES ±0.25		APVD M. J. PHILLIPS	PRODUCT SPEC 108-2364	
MATERIAL SEE NOTE 1		FINISH -	APPLICATION SPEC 114-13120	RESTRICTED TO
Customer Drawing		WEIGHT -	SIZE A100779	SCALE 8:1
		Customer Drawing	C=2198720	SHEET 1 OF 4
				REV B

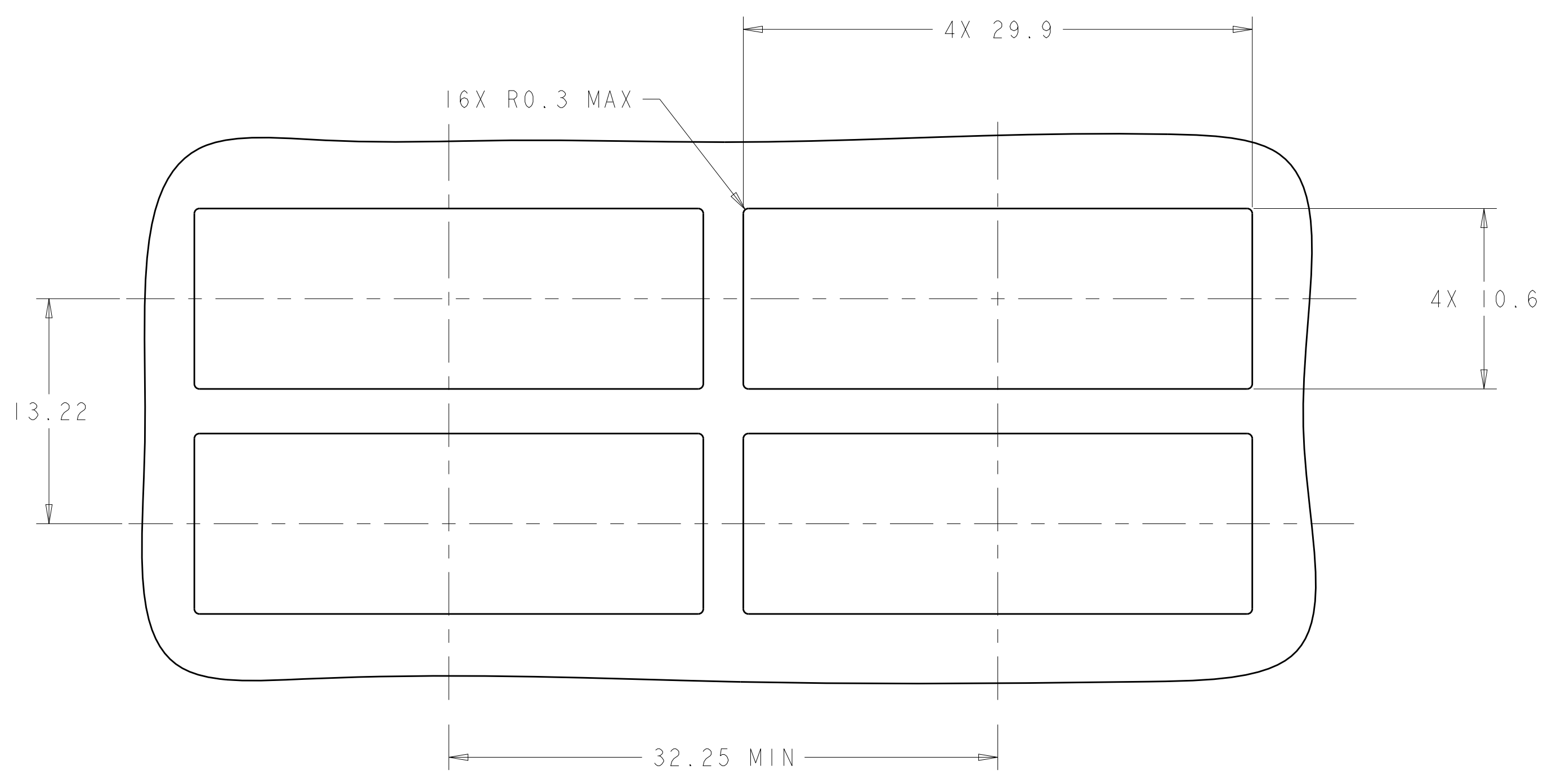
LOC	DIST	REV	DATE	BY	APPV
GP	00				
REVISIONS					



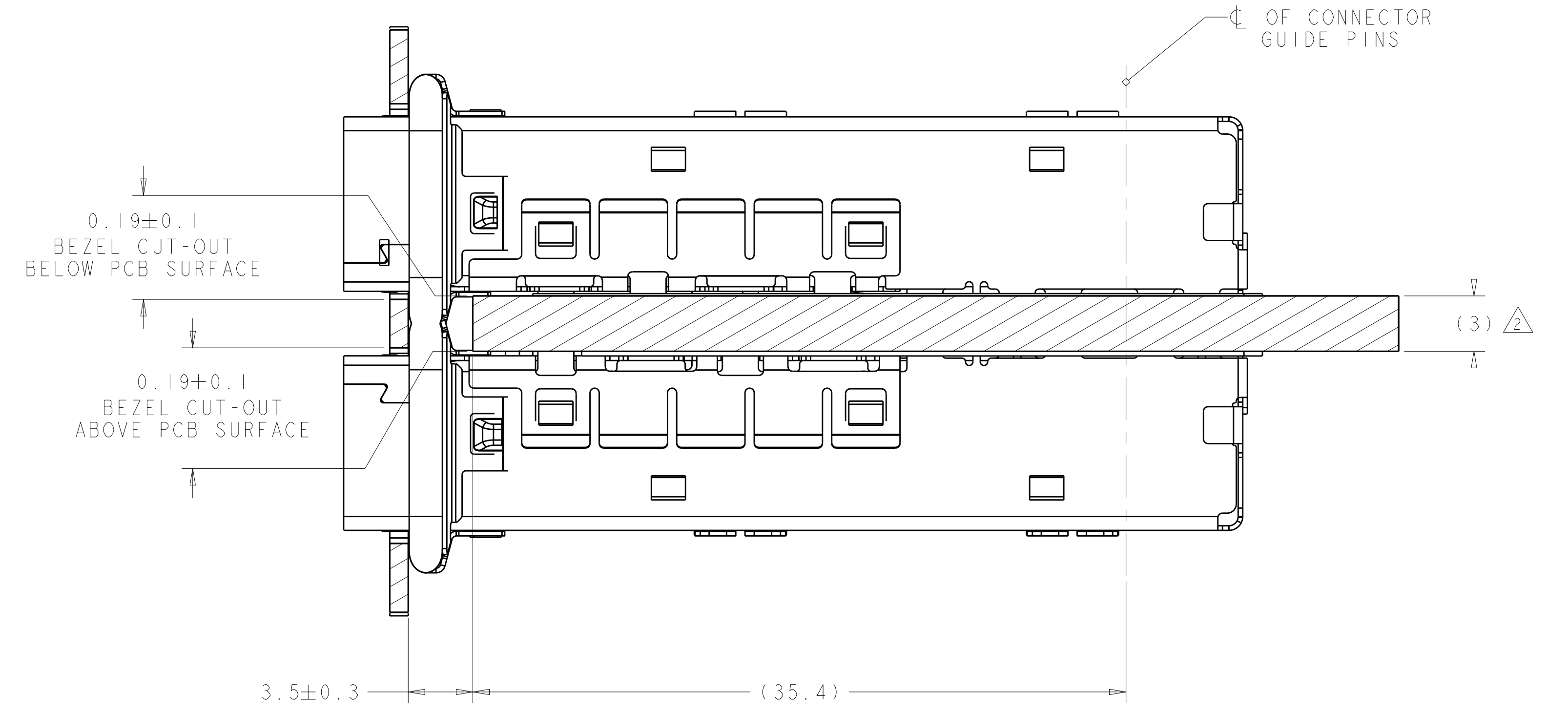
RECOMMENDED BEZEL CUT-OUT
 SINGLE SIDED APPLICATIONS
 SCALE 4:1



MOUNTED ON PC BOARD
 SHOWN THRU RECOMMENDED BEZEL
 SCALE 5:1



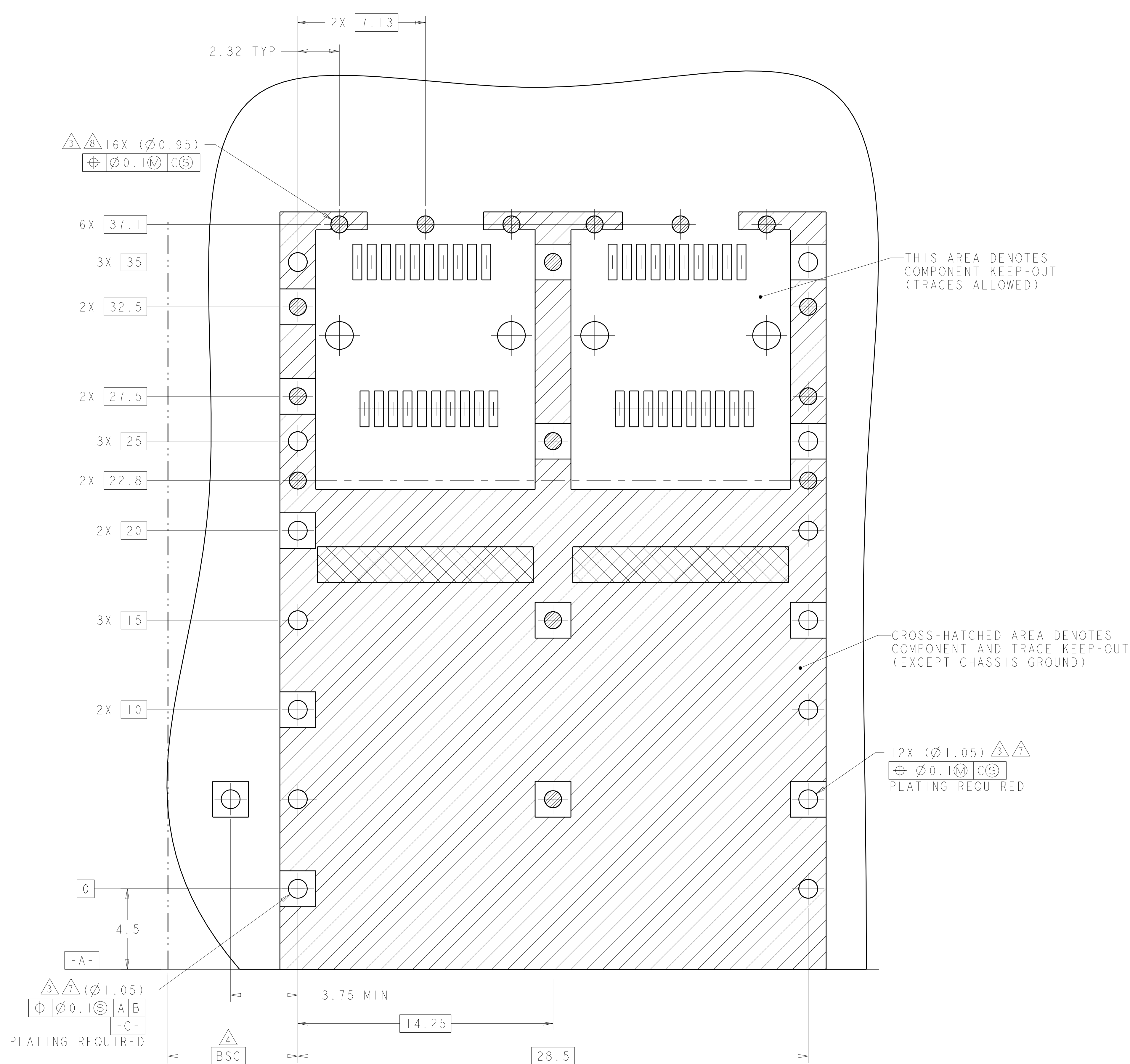
RECOMMENDED BEZEL CUT-OUT
 BELLY TO BELLY APPLICATIONS
 SCALE 4:1



MOUNTED BELLY TO BELLY ON PC BOARD
 SHOWN THRU RECOMMENDED BEZEL
 SCALE 5:1

THIS DRAWING IS A CONTROLLED DOCUMENT.		DWN R. IREA 15AUG2012	TE Connectivity
DIMENSIONS: mm		CHK H. HENRY 15AUG2012	
TOLERANCES UNLESS OTHERWISE SPECIFIED:		APVD M. J. PHILLIPS	NAME CAGE ASSEMBLY, ENHANCED, PRESS-FIT, 1X2, zSFP+
0 PLC ±0.1	1 PLC ±0.1	PRODUCT SPEC 108-2364	SIZE 114-13120
2 PLC ±0.08	3 PLC ±0.05	APPLICATION SPEC	RESTRICTED TO
4 PLC ±0.05	ANGLES ±1°	WEIGHT	A100779C=2198720
MATERIAL SEE NOTE 1	FINISH	Customer Drawing	SCALE 6:1 SHEET 2 OF 4 REV B

LOC	DIST	REVISIONS					
GP	00	P	LTN	DESCRIPTION	DATE	DWN	APVD
		-		SEE SHEET 1			



RECOMMENDED PCB CONFIGURATION
 WITH KEEP-OUT AREAS FOR BELLY TO BELLY APPLICATIONS
 SAME AS SINGLED SIDED APPLICATION, EXCEPT AS SHOWN
 SCALE 8:1

THIS DRAWING IS A CONTROLLED DOCUMENT.		DWN R. TREA 15AUG2012	TE Connectivity
DIMENSIONS: mm		CHK H. HENRY 15AUG2012	
TOLERANCES UNLESS OTHERWISE SPECIFIED: 0 PLC ±0.1 1 PLC ±0.1 2 PLC ±0.08 3 PLC ±0.05 4 PLC ±0.05 ANGLES ±1°		APVD M. J. PHILLIPS	NAME
MATERIAL: SEE NOTE 1 FINISH:		PRODUCT SPEC 108-2364	CAGE ASSEMBLY, ENHANCED, PRESS-FIT, 1X2, zSFP+
		APPLICATION SPEC 114-13120	RESTRICTED TO
		WEIGHT	SIZE CAGE CODE DRAWING NO. A100779C=2198720
		Customer Drawing	SCALE 6:1 SHEET 4 OF 4 REV B

X-ON Electronics

Largest Supplier of Electrical and Electronic Components

Click to view similar products for [I/O Connectors](#) category:

Click to view products by [TE Connectivity](#) manufacturer:

Other Similar products are found below :

[571763P](#) [72.250.1628.2](#) [72.250.2428.2](#) [74720-0505](#) [76.350.0729.0](#) [76871-1403](#) [FCN-244F080-G/1](#) [FCN-260A9920](#) [MP-5T180MUNNA-005](#)
[PCR-E36PM](#) [PCS-XE26MA+](#) [G38A71314B](#) [1571250010](#) [157-22500-3](#) [MS3471L14-19P L/C](#) [91-569786-35H](#) [172501-4002](#) [172501-6002](#)
[FCN-260C008-A/L0](#) [FCN-260C024-AL0](#) [FCN-261Z008](#) [2000314-1](#) [200331-1](#) [PCR-E36FC+](#) [PCS-E28FS+](#) [PCS-XE26SLFD+](#) [PCS-](#)
[XE26SLFDT+](#) [G730VID08BDC24](#) [U90B2054081210](#) [UE86K842720321](#) [38113800006](#) [DP3AR020WQ1R200](#) [Z4.102.0680.0](#) [500-1040](#)
[500-1052](#) [500-1054](#) [ZP-4008-66L](#) [0709821002](#) [10-565995-597N](#) [DX40-20P\(55\)](#) [5554841-1](#) [U90B3054061110](#) [U65-E04-4020](#)
[ZPF00000000097891](#) [557-262M2-06C](#) [747360449](#) [10099439-003C-TRLF](#) [10137239-0021LF](#) [E9320-001-01](#) [10137239-0011LF](#)