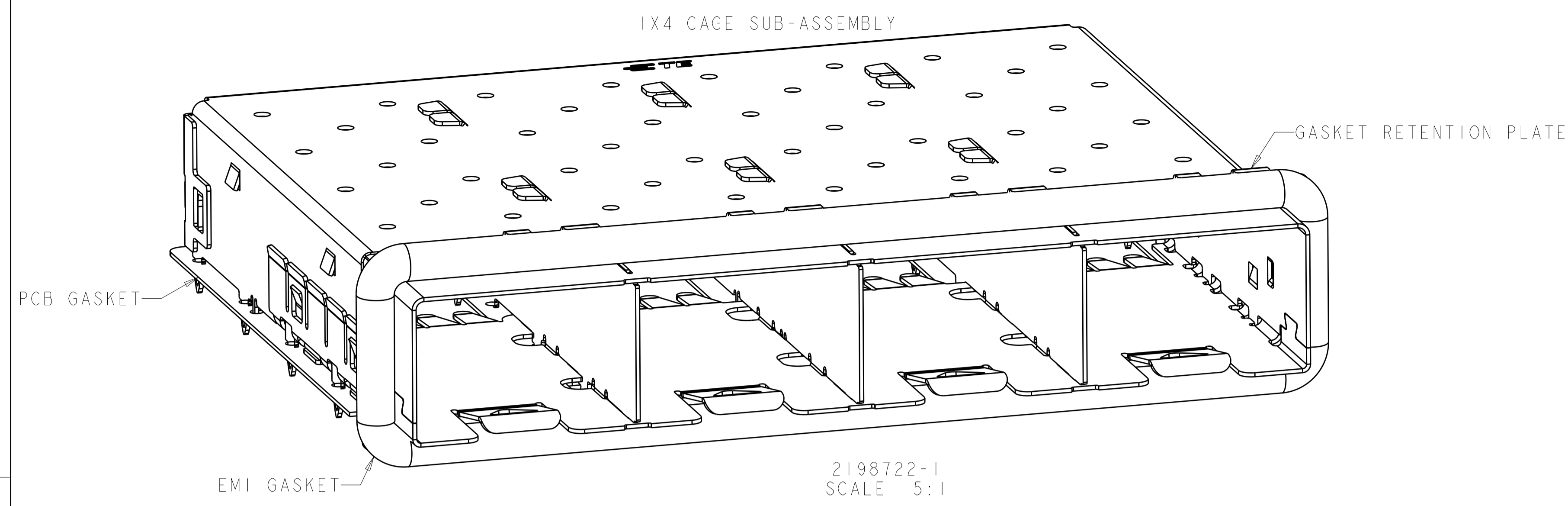
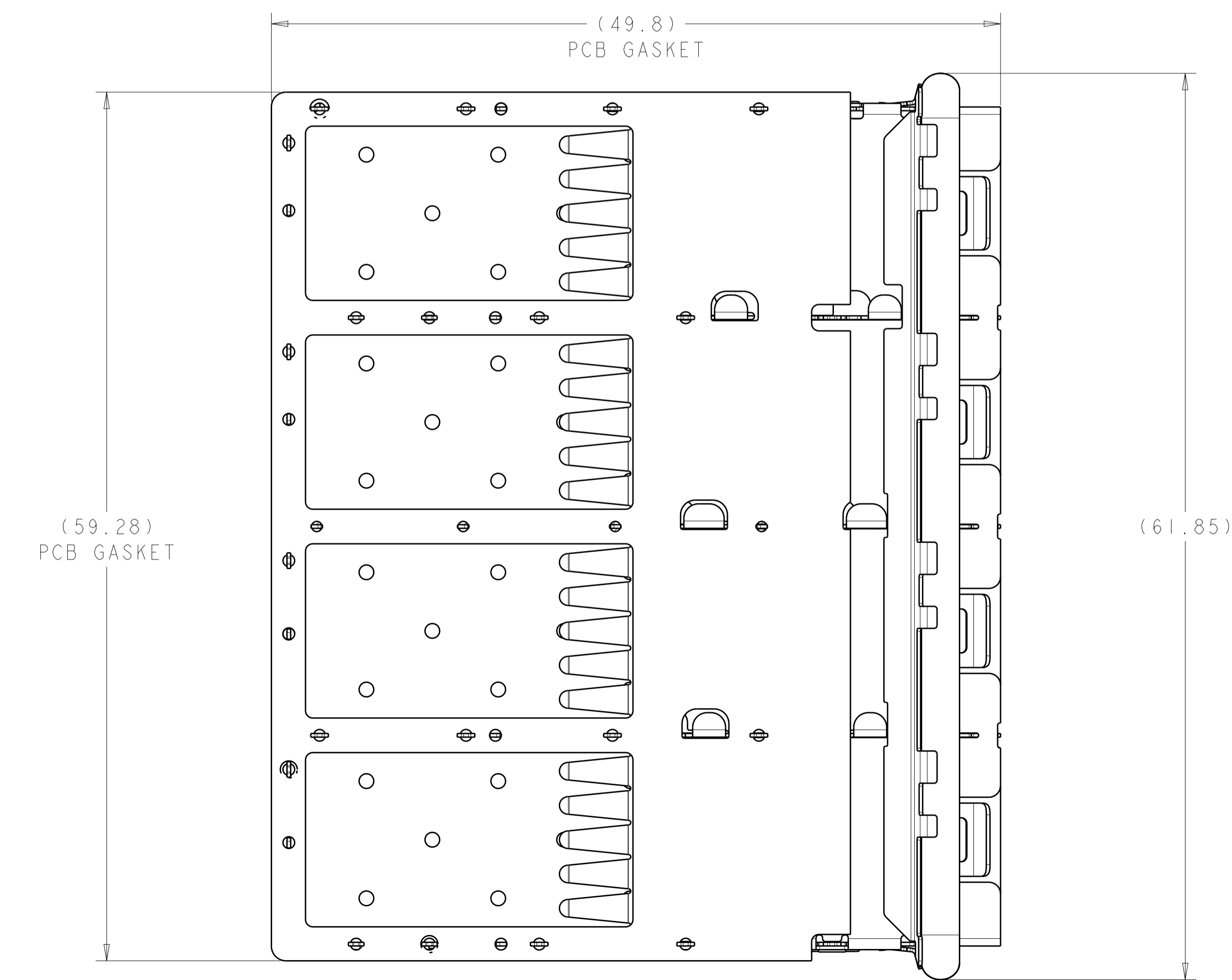
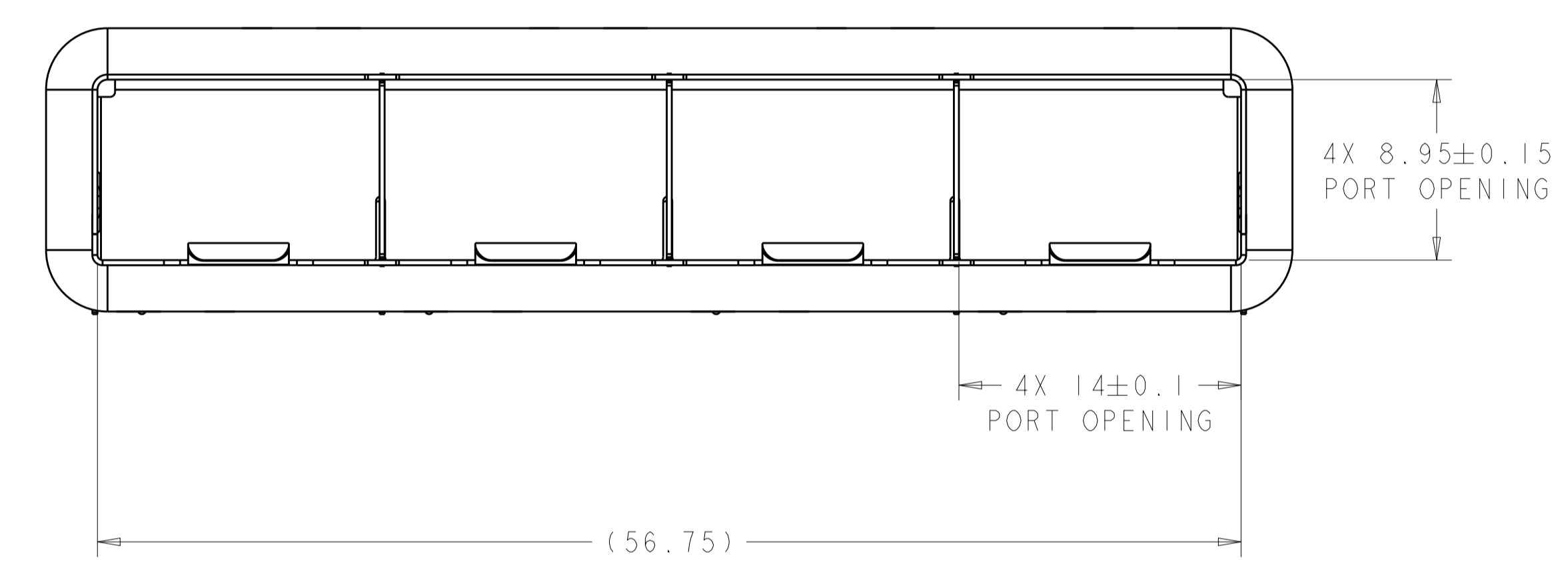
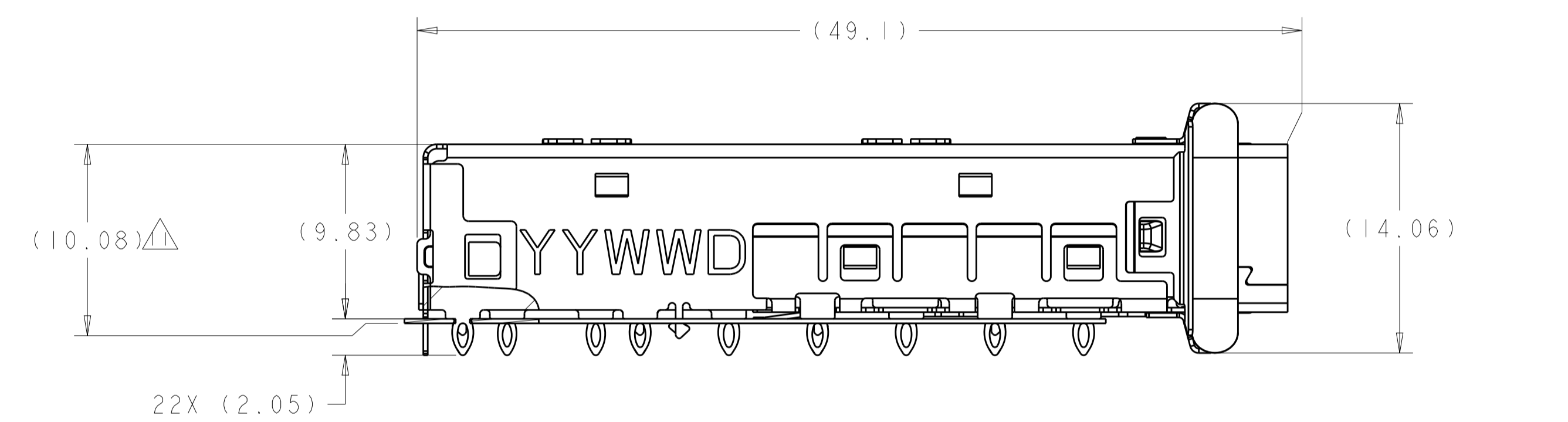


LOC	DIST	REVISIONS					
GP	00	P	LTN	DESCRIPTION	DATE	DWN	APVD
		A		REVISED PER ECO-15-002647	05MAR2015	AP	MS
		B		REVISED PER ECO-16-014593	13FEB2017	JW	SH



1. MATERIAL:
 CAGE ASSEMBLY: NICKEL SILVER ALLOY
 GASKET RETENTION PLATE: STAINLESS STEEL
 EMI GASKET: PLATED FILLED SILICONE
 PCB GASKET: RF ABSORBER
2. MINIMUM PC BOARD THICKNESS:
 SINGLE SIDED = 1.45mm
 BELLY TO BELLY = 3mm
3. PADS AND VIAS CHASSIS GROUND
4. DATUM AND BASIC DIMENSION ESTABLISHED BY CUSTOMER
5. MATES WITH SFP MSA COMPLIANT TRANSCEIVERS
6. INTERPRETATION OF DATUM REFERENCE FRAME IN ACCORDANCE WITH SECT 4.4.1.1 OF ASME Y14.5M-1994
7. REFERENCE APPLICATION SPEC. 114-13120, HOLE A, FOR RECOMMENDED DRILL HOLE DIAMETER AND PLATING THICKNESS
8. REFERENCE APPLICATION SPEC. 114-13120, HOLE B, FOR RECOMMENDED DRILL HOLE DIAMETER AND PLATING THICKNESS
9. HOLE PATTERN REPEATS FOR EACH PORT, SPACING BETWEEN PORTS IS 14.25mm
10. PRODUCT COMPLIES WITH SPECIFICATION SFF-8433, IMPROVED PLUGGABLE FORM FACTOR FOR SFP+ GANGED CAGES
11. CONTACT STANDOFF WILL PIERCE GASKET WHEN PROPERLY PRESSED INTO PCB.

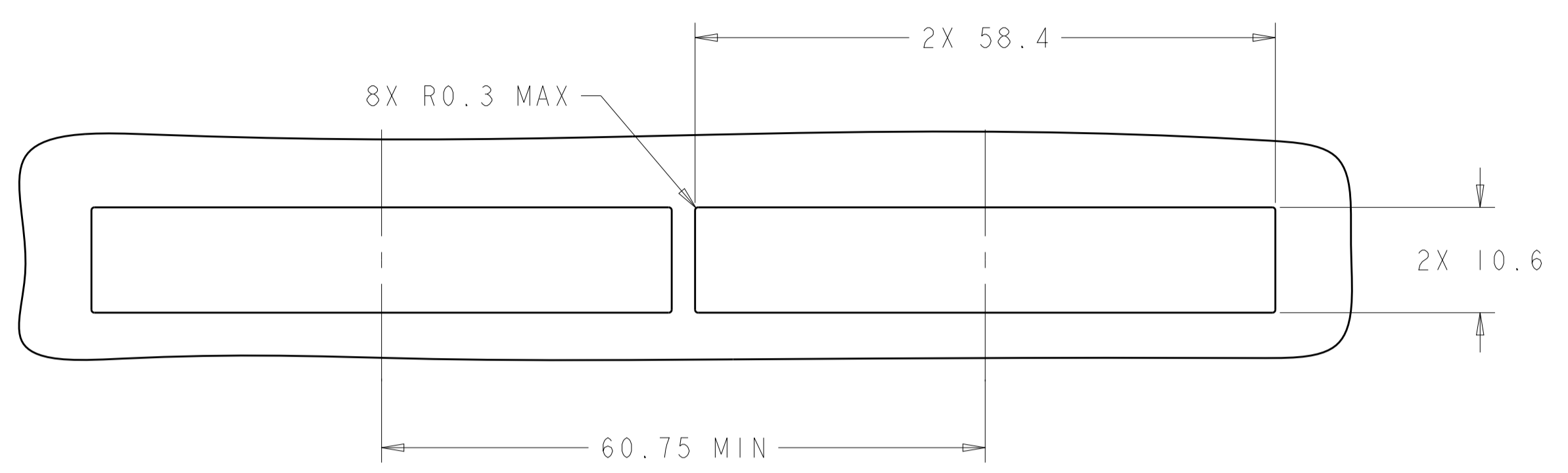


2198722-1
PART NUMBER

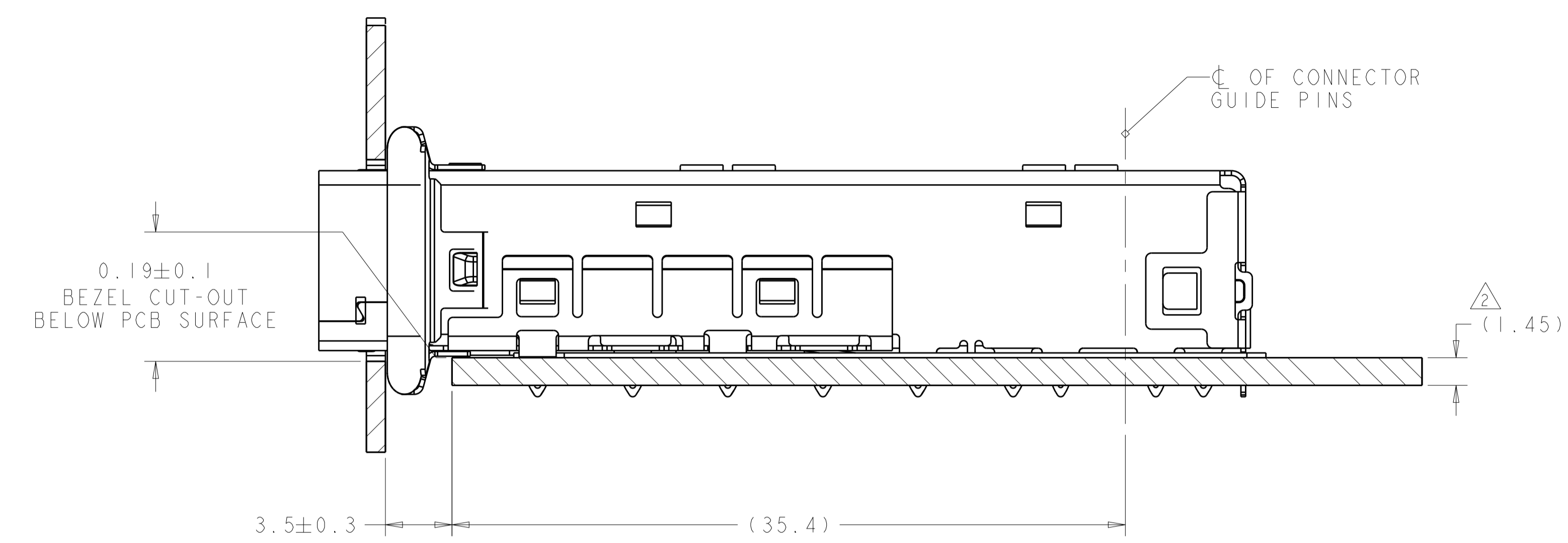
THIS DRAWING IS A CONTROLLED DOCUMENT.		DWN: M.E. CONNER 27DEC2012	TE Connectivity	
DIMENSIONS: mm		CHK: M.D. MORRISON 01FEB2013		
TOLERANCES UNLESS OTHERWISE SPECIFIED:		APVD: M.J. PHILLIPS 01FEB2013		
0 PLC ±0.25 1 PLC ±0.25 2 PLC ±0.25 3 PLC ±0.25 4 PLC ±0.25 ANGLES ±°		NAME: CAGE ASSEMBLY, ENHANCED, PRESS-FIT, 1X4, zSFP+	RESTRICTED TO	
MATERIAL: SEE NOTE 1		PRODUCT SPEC: 108-2364	SIZE: A1	00779
		APPLICATION SPEC: 114-13120	CAGE CODE: C=2198722	DRAWING NO: 2198722-1
		WEIGHT: -	SCALE: 4:1	SHEET 1 OF 4
		Customer Drawing	REV: B	

LOC	DIST	REV	DATE	BY	APPV
GP	00				

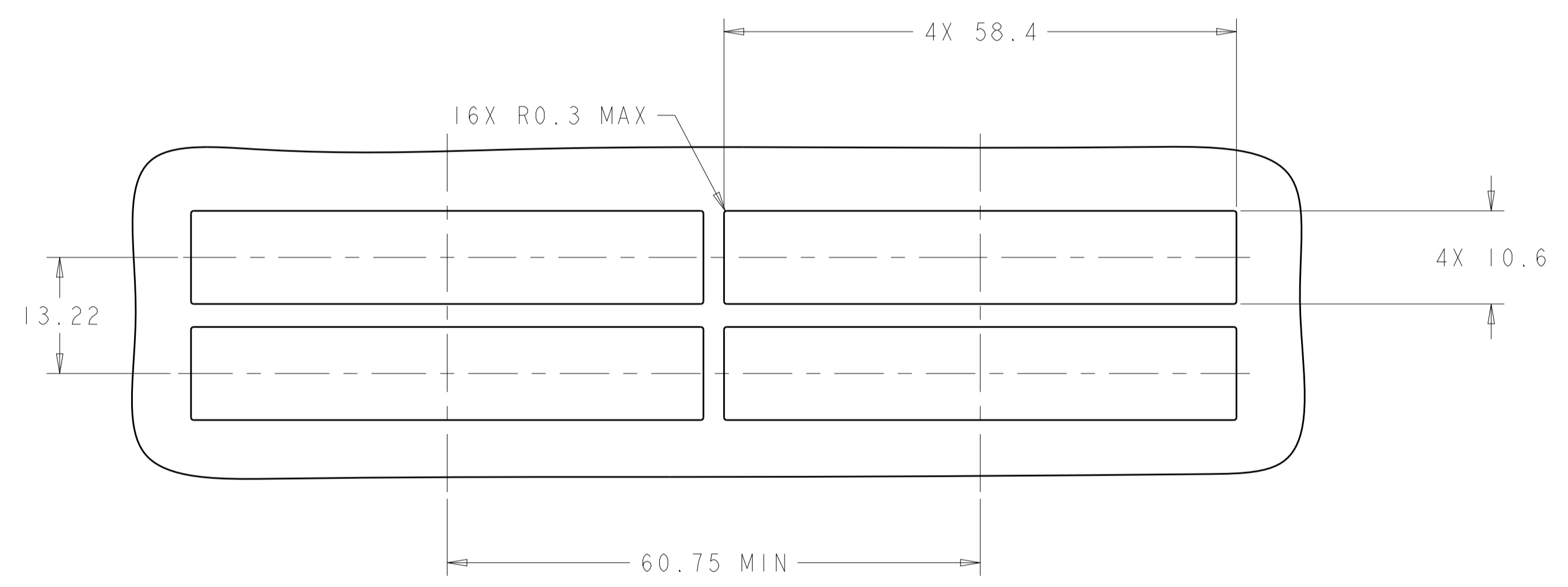
REVISIONS			
NO.	DESCRIPTION	DATE	BY
-	SEE SHEET 1	-	-



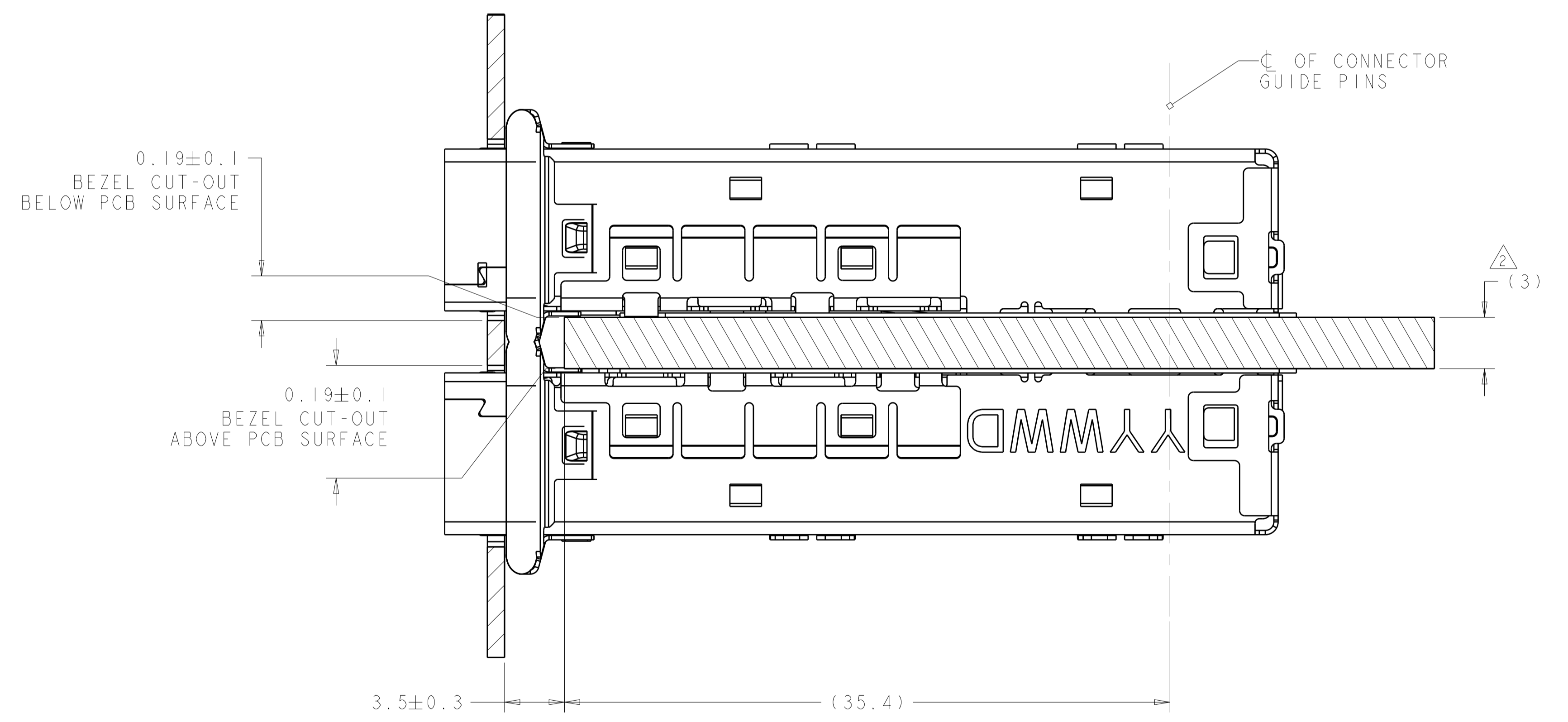
RECOMMENDED BEZEL OPENING
 SINGLE SIDED APPLICATIONS
 SCALE 2:1



MOUNTED ON PC BOARD
 SHOWN THRU RECOMMENDED BEZEL
 SCALE 5:1



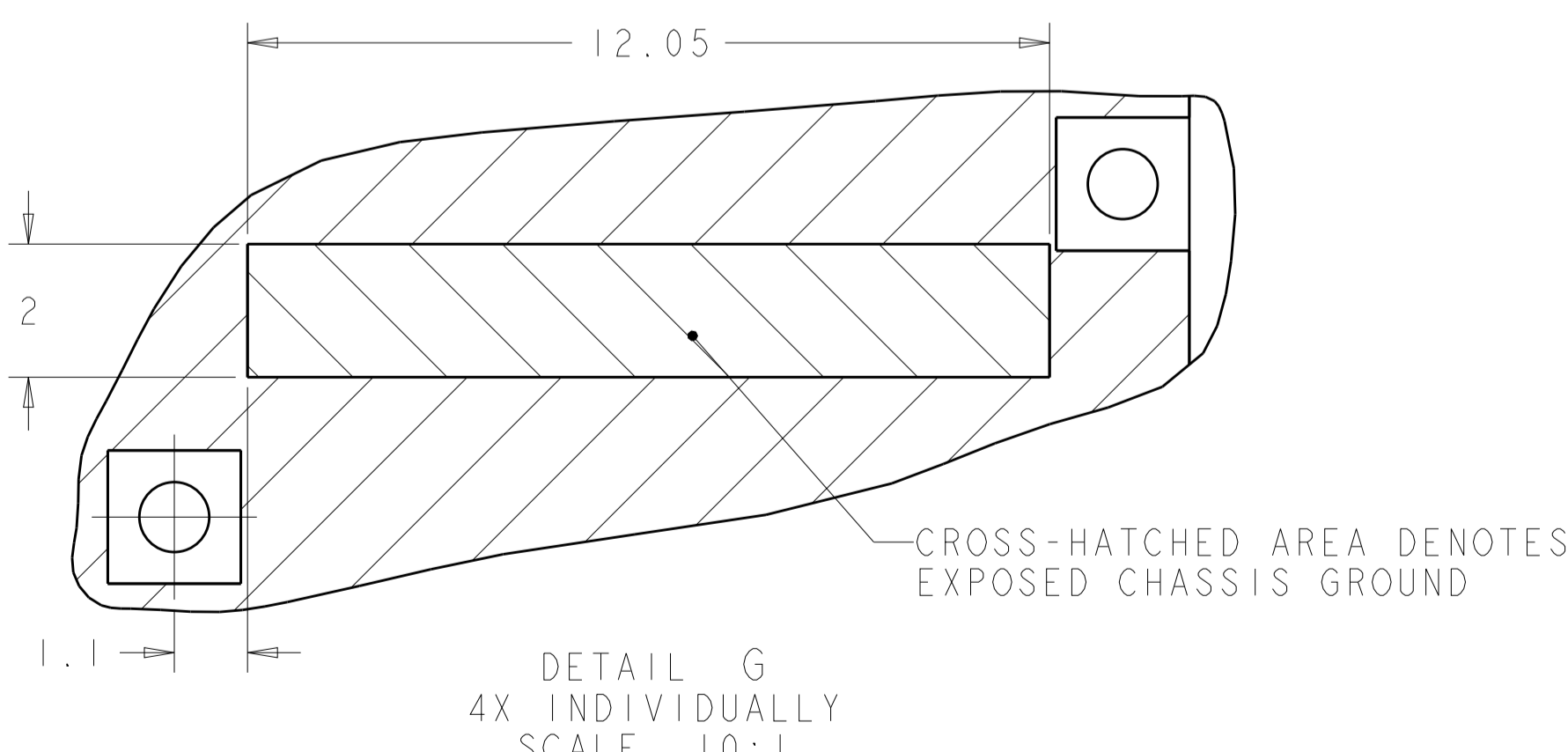
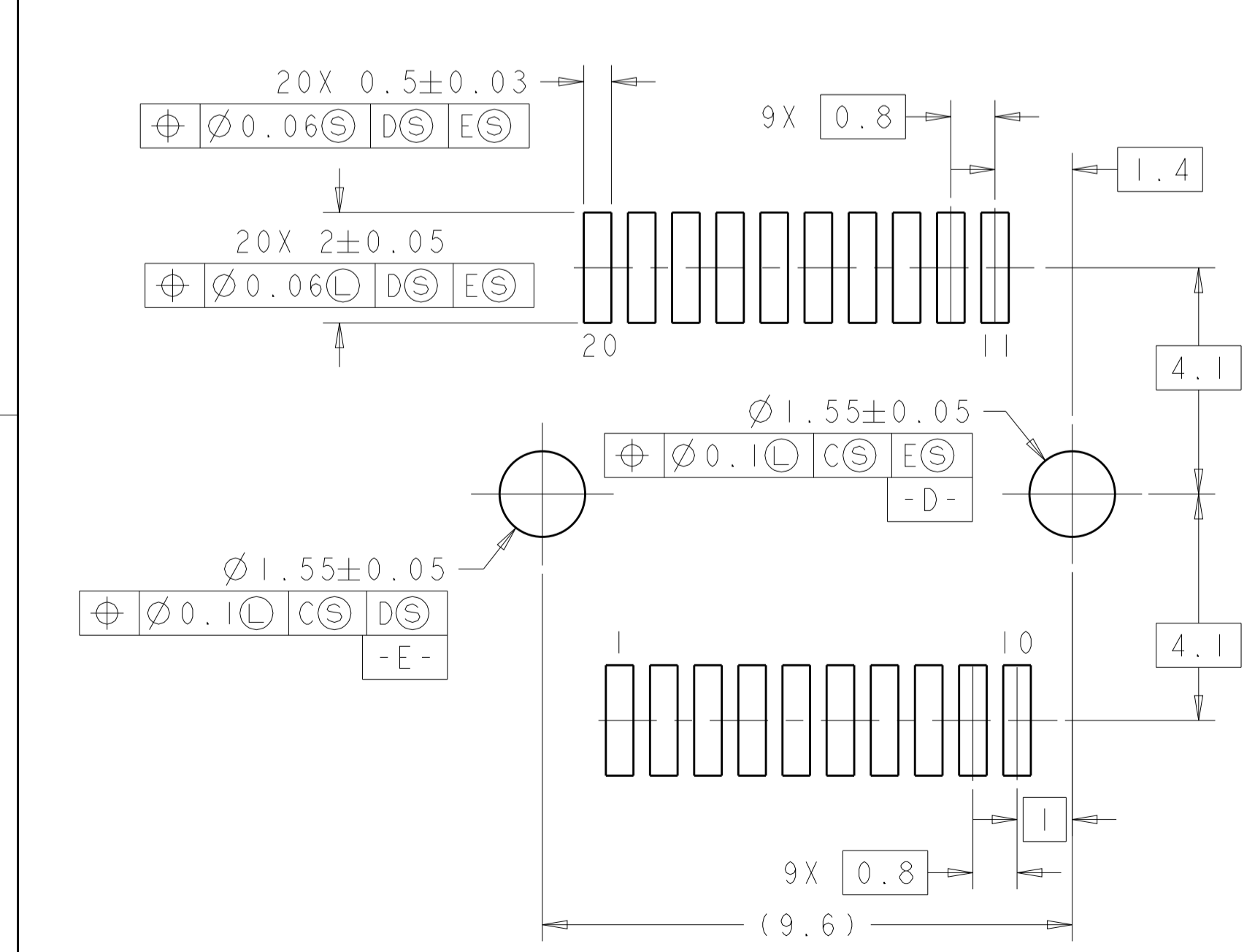
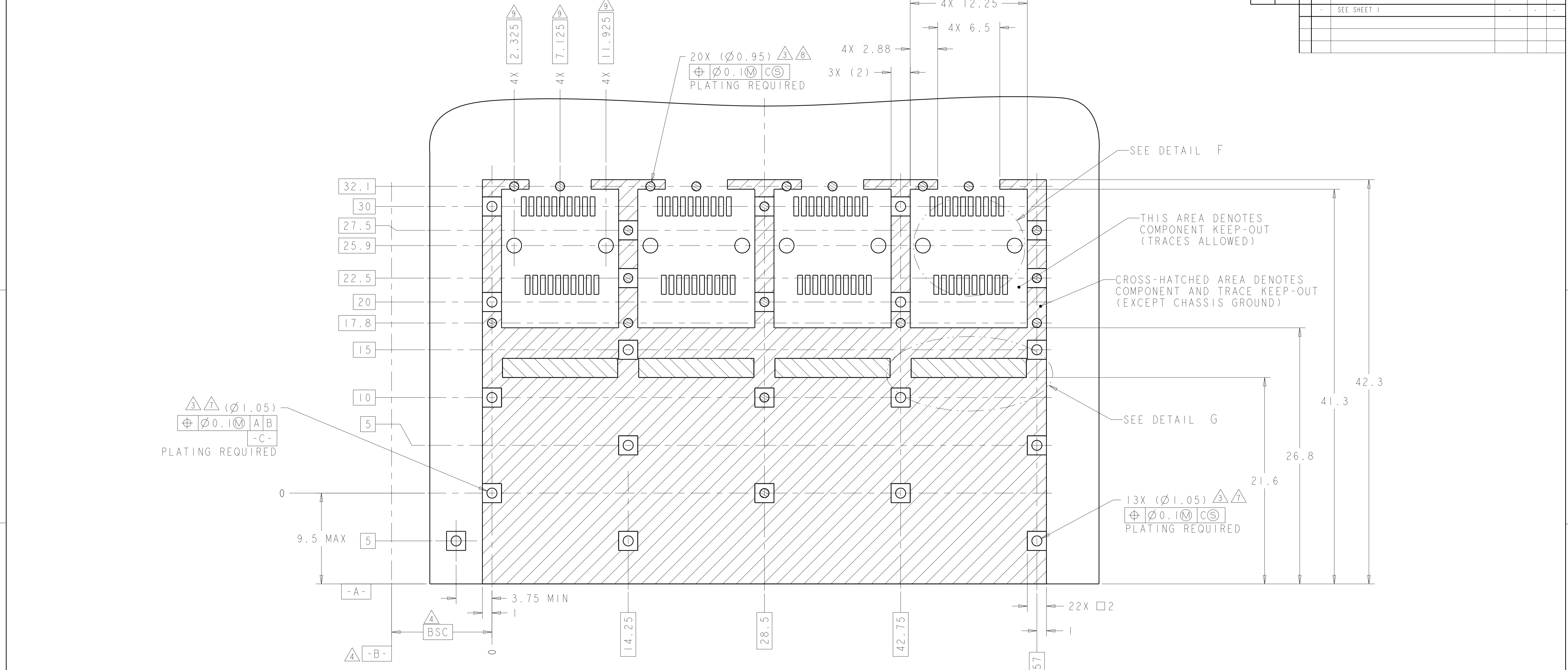
RECOMMENDED BEZEL OPENING
 BELLY TO BELLY APPLICATIONS
 SCALE 2:1



MOUNTED BELLY TO BELLY ON PC BOARD
 SHOWN THRU RECOMMENDED BEZEL
 SCALE 5:1

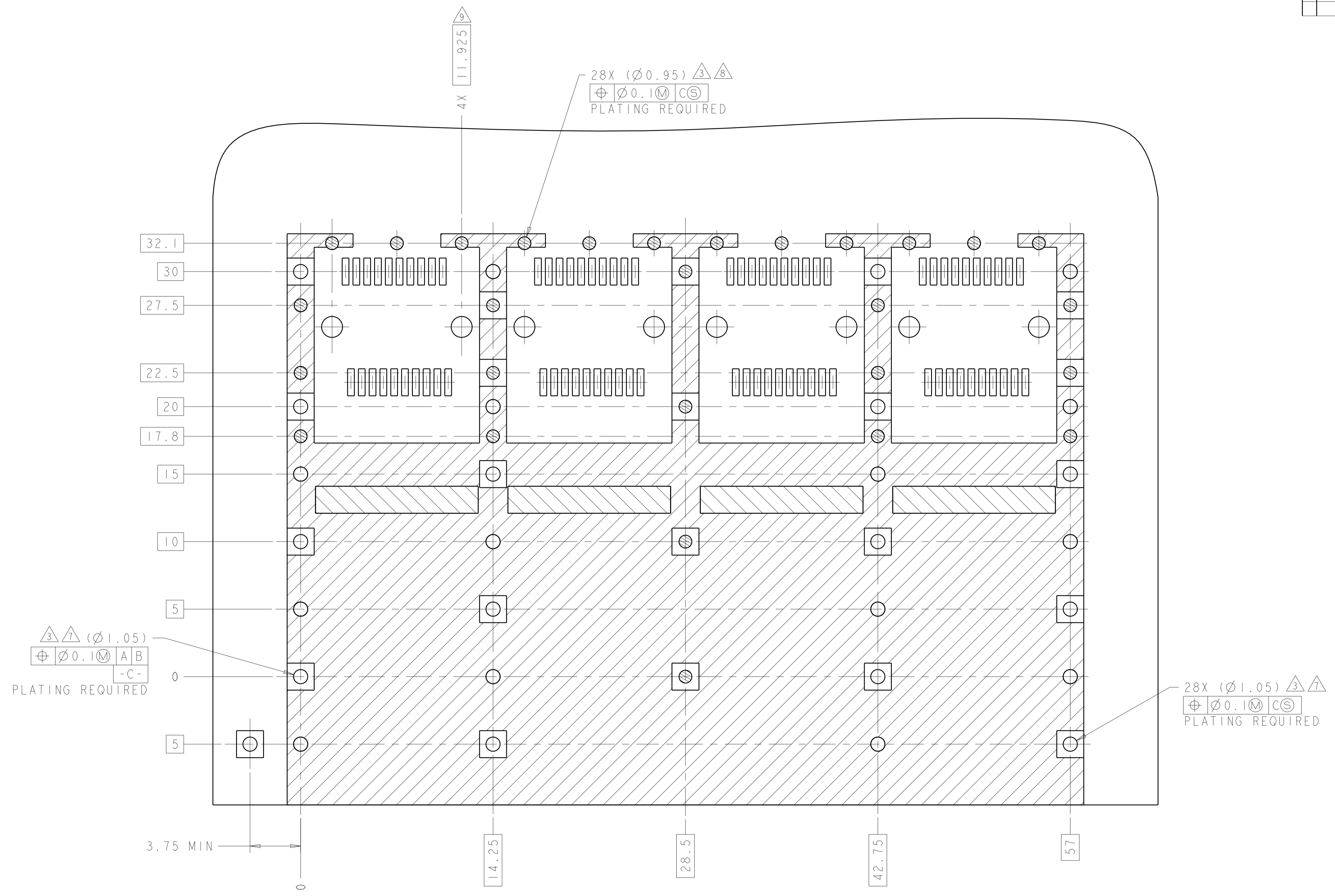
THIS DRAWING IS A CONTROLLED DOCUMENT.		OWN: M.E. CONNER 27DEC2012	
DIMENSIONS: mm		CHK: M.D. MORRISON 01FEB2013	
TOLERANCES UNLESS OTHERWISE SPECIFIED:		APVD: M.J. PHILLIPS 01FEB2013	NAME: CAGE ASSEMBLY, ENHANCED, PRESS-FIT, 1X4, zSFP+
0 PLC	±0.25	PRODUCT SPEC	108-2364
1 PLC	±0.25	APPLICATION SPEC	114-13120
2 PLC	±0.25	WEIGHT	-
3 PLC	±0.25	FINISH	-
4 PLC	±0.25	Customer Drawing	SCALE 5:1 SHEET 2 OF 4 REV B
ANGLES	±1°		
MATERIAL: SEE NOTE 1			

LOC		DIST		REVISIONS				
GP	00	P	LTN	DESCRIPTION	DATE	DMN	APVD	
		-		SEE SHEET 1				



THIS DRAWING IS A CONTROLLED DOCUMENT.		DMN: M.E. CONNER 27DEC2012	TE Connectivity
DIMENSIONS: mm		CHK: M.D. MORRISON 01FEB2013	
TOLERANCES UNLESS OTHERWISE SPECIFIED:		APVD: M.J. PHILLIPS 01FEB2013	NAME: CAGE ASSEMBLY, ENHANCED, PRESS-FIT, 1X4, zSFP+
0 PLC ±0.1	1 PLC ±0.1	PRODUCT SPEC: 108-2364	SIZE: CAGE CODE DRAWING NO: A100779C=2198722
2 PLC ±0.08	3 PLC ±0.05	APPLICATION SPEC: 114-13120	RESTRICTED TO: -
4 PLC ±0.05	ANGLES ±1°	WEIGHT: -	SCALE: 5:1 SHEET 3 OF 4 REV B
MATERIAL: SEE NOTE 1	FINISH: -	Customer Drawing	

LOC	DIST	REVISIONS			
P	LTN	DESCRIPTION	DATE	DWN	APVD
-	-	SEE SHEET 1	-	-	-



RECOMMEND PCB CONFIGURATION WITH KEEP-OUT AREAS FOR BELLY TO BELLY APPLICATIONS
 SAME AS SINGLE SIDE APPLICATION, EXCEPT AS SHOWN
 SCALE 6:1

THIS DRAWING IS A CONTROLLED DOCUMENT.		DWN: M.E. CONNER 27DEC2012	
DIMENSIONS: mm		CHK: M.D. MORRISON 01FEB2013	
TOLERANCES UNLESS OTHERWISE SPECIFIED: 0 PLC ±0.1 1 PLC ±0.1 2 PLC ±0.08 3 PLC ±0.05 4 PLC ± ANGLES ±°		APVD: M.J. PHILLIPS 01FEB2013 PRODUCT SPEC: 108-2364 APPLICATION SPEC: 114-13120 WEIGHT:	NAME: CAGE ASSEMBLY, ENHANCED, PRESS-FIT, 1X4, zSFP+ SIZE: A1 CAGE CODE: 00779 DRAWING NO: 2198722
MATERIAL: SEE NOTE 1		FINISH: -	RESTRICTED TO: -
Customer Drawing		SCALE: 5:1	SHEET 4 OF 4 REV B

X-ON Electronics

Largest Supplier of Electrical and Electronic Components

Click to view similar products for [I/O Connectors](#) category:

Click to view products by [TE Connectivity](#) manufacturer:

Other Similar products are found below :

[571763P](#) [72.250.1628.2](#) [72.250.2428.2](#) [74720-0505](#) [76.350.0729.0](#) [76871-1403](#) [FCN-244F080-G/1](#) [FCN-260A9920](#) [MP-5T180MUNNA-005](#)
[PCR-E36PM](#) [PCS-XE26MA+](#) [G38A71314B](#) [1571250010](#) [157-22500-3](#) [MS3471L14-19P L/C](#) [91-569786-35H](#) [172501-4002](#) [172501-6002](#)
[FCN-260C008-A/L0](#) [FCN-260C024-AL0](#) [FCN-261Z008](#) [2000314-1](#) [200331-1](#) [PCR-E36FC+](#) [PCS-E28FS+](#) [PCS-XE26SLFD+](#) [PCS-](#)
[XE26SLFDT+](#) [G730VID08BDC24](#) [HDMR-29-01-S-SM-TR](#) [U90B2054081210](#) [UE86K842720321](#) [38113800006](#) [DP3AR020WQ1R200](#)
[Z4.102.0680.0](#) [500-1040](#) [500-1052](#) [500-1054](#) [ZP-4008-66L](#) [0709821002](#) [10-565995-597N](#) [DX40-20P\(55\)](#) [5554841-1](#) [U90B3054061110](#)
[U65-E04-4020](#) [ZPF00000000097891](#) [557-262M2-06C](#) [747360449](#) [10099439-003C-TRLF](#) [10137239-0021LF](#) [E9320-001-01](#)