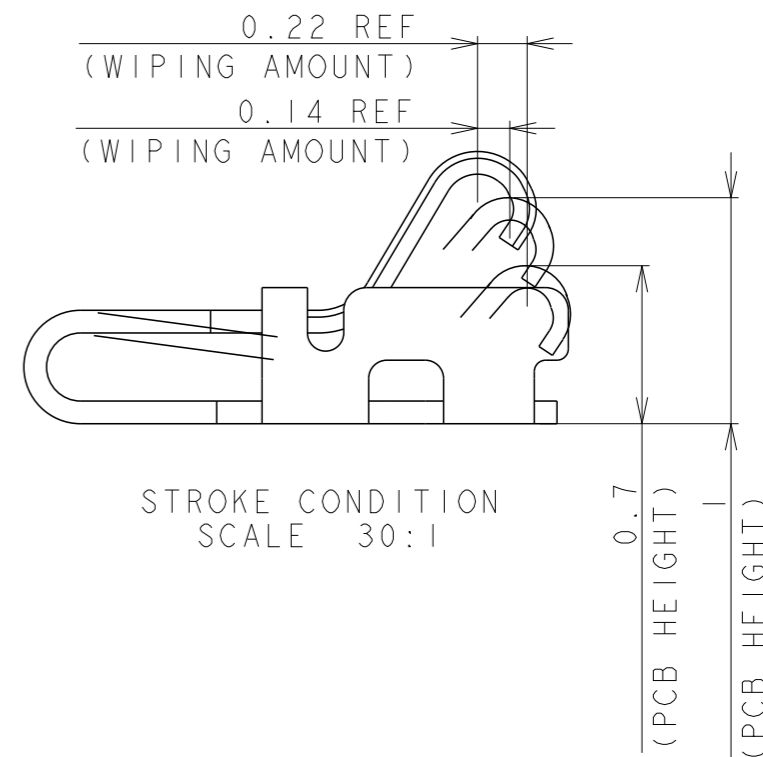
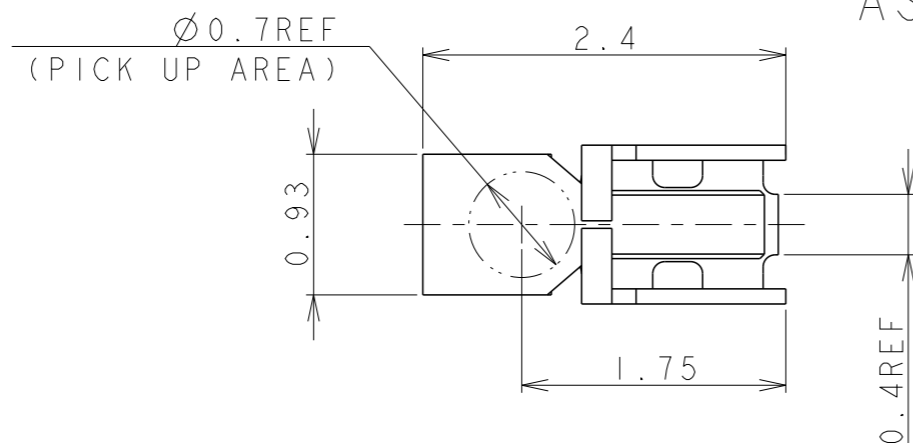
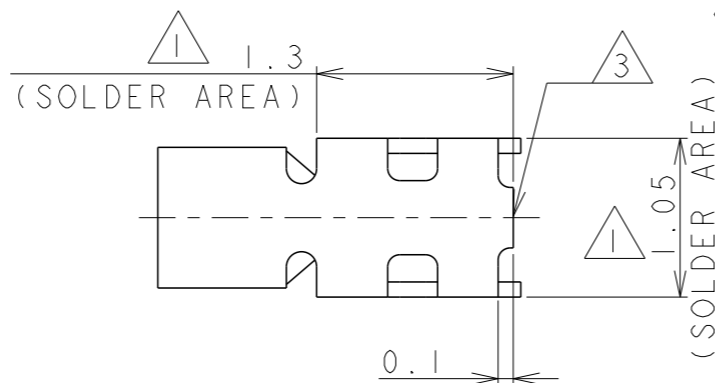
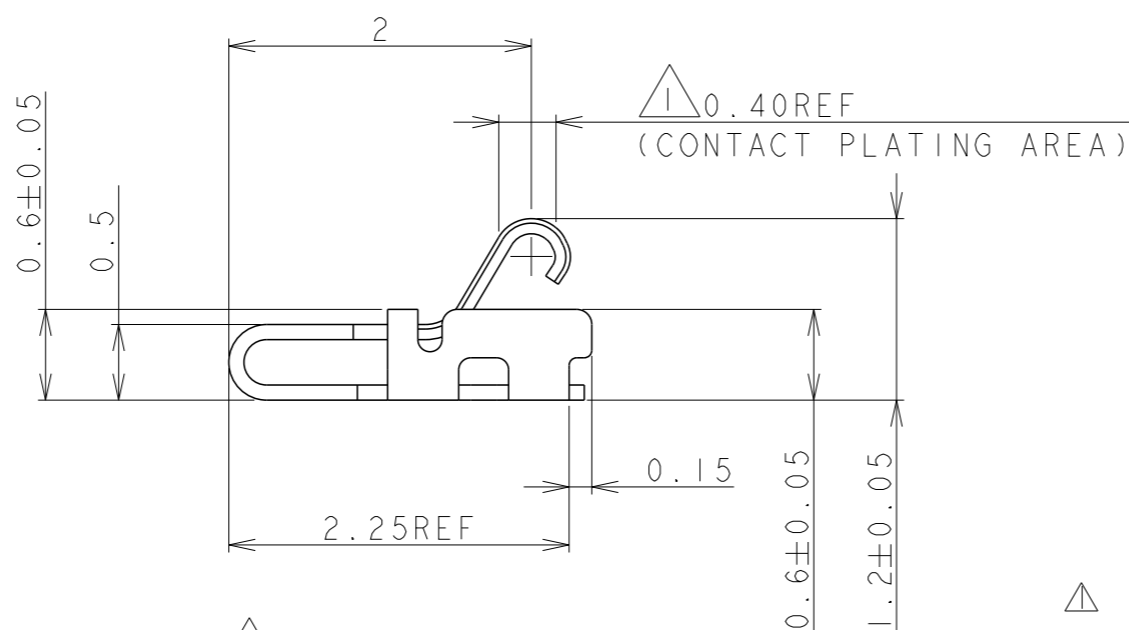
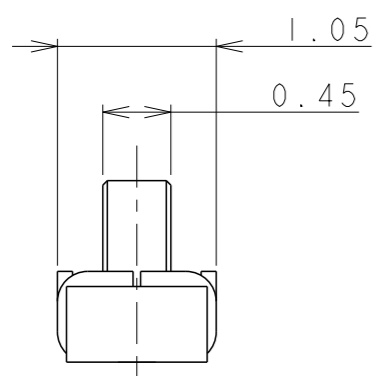


P	LTR	DESCRIPTION	DATE	DWN	APVD
	A3	RELEASED ECO-20-015683	05NOV2020	J. J	W. H

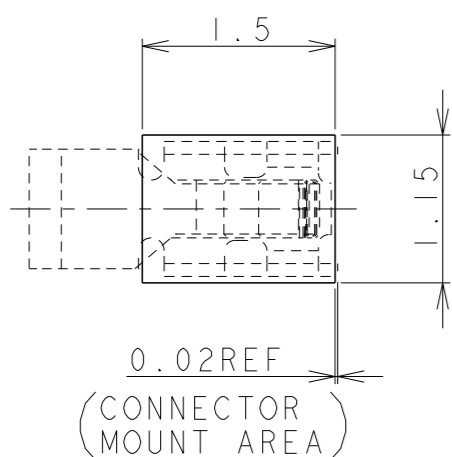
AS SHOWN : - 1



STROKE CONDITION
SCALE 30:1



- △ FINISH (PLATING SPECIFICATION)
 Ni UNDER PLATING : 0.0008mm TO 0.002mm
 Au PLATING (CONTACT PLATING AREA) : 0.00025mm TO 0.0005mm
 Au PLATING (SOLDER AREA) : 0.00005mm TO 0.0005mm
- △ MATERIAL : COPPER ALLOY, THK.=0.1mm
- △ CUTTING BURR : 0.05mm MAX.
- 4 DISUSED PACKAGEING MATERIAL : DRYPACK AND BAKING PROCESS
- 5 PART NUMBER 2199001-1

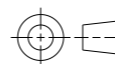


PCB LAYOUT (REFERANCE)

THIS DRAWING IS A CONTROLLED DOCUMENT.

DIMENSIONS:
mm

TOLERANCES UNLESS OTHERWISE SPECIFIED:
±0.15



- Ø PLC ±
- 1 PLC ±0.5
- 2 PLC ±0.13
- 3 PLC ±0.013
- 4 PLC ±0.0001
- ANGLES ±3°

MATERIAL



FINISH



DWN 18JAN2012

Tony Zhang

CHK 18JAN2012

Xiang Xu

APVD 18JAN2012

Steven Yao

PRODUCT SPEC

APPLICATION SPEC

WEIGHT

4.4 mg

CUSTOMER DRAWING

NAME

SIZE

CAGE CODE

DRAWING NO

RESTRICTED TO

SCALE

SHEET

OF

REV

A3



TE Connectivity

SHIELD FINGER 1210

A300779G-2199001

SCALE 1:1

SHEET 1

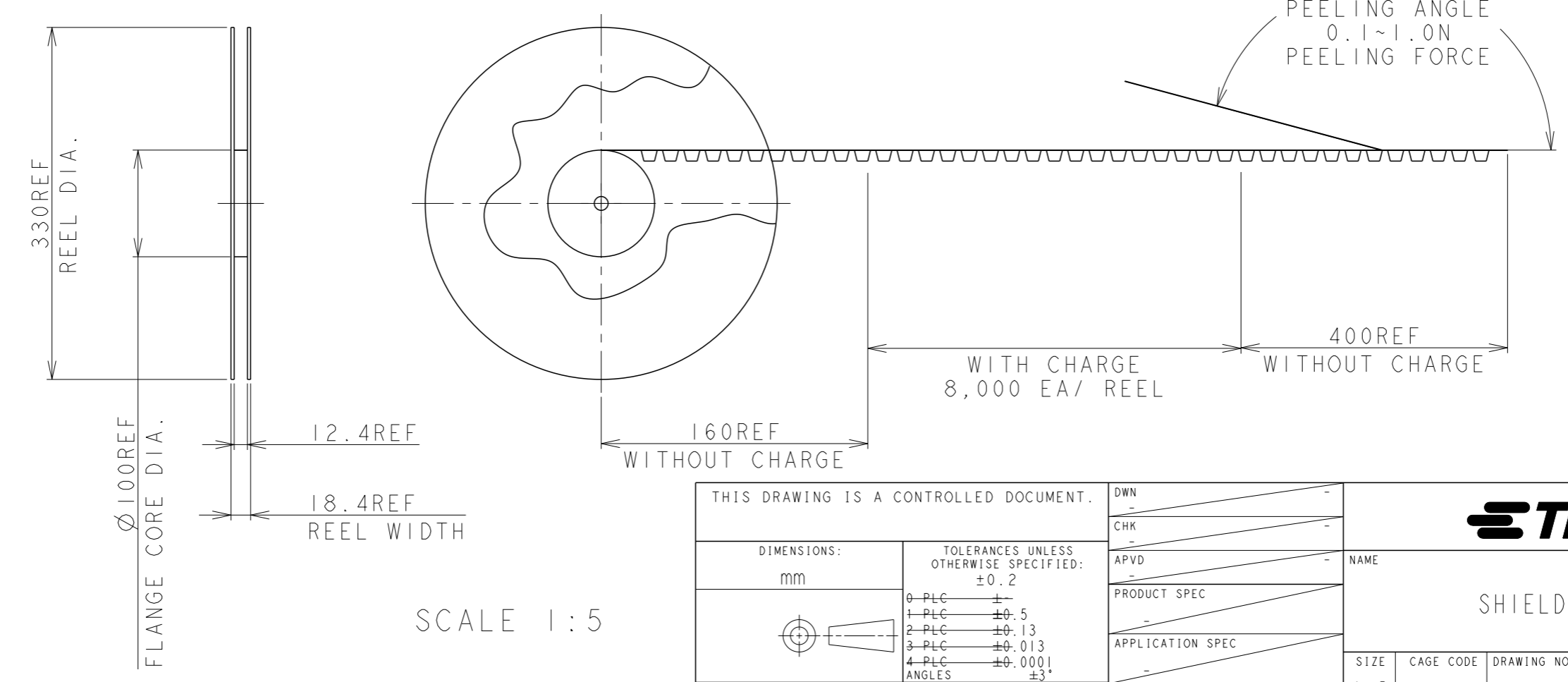
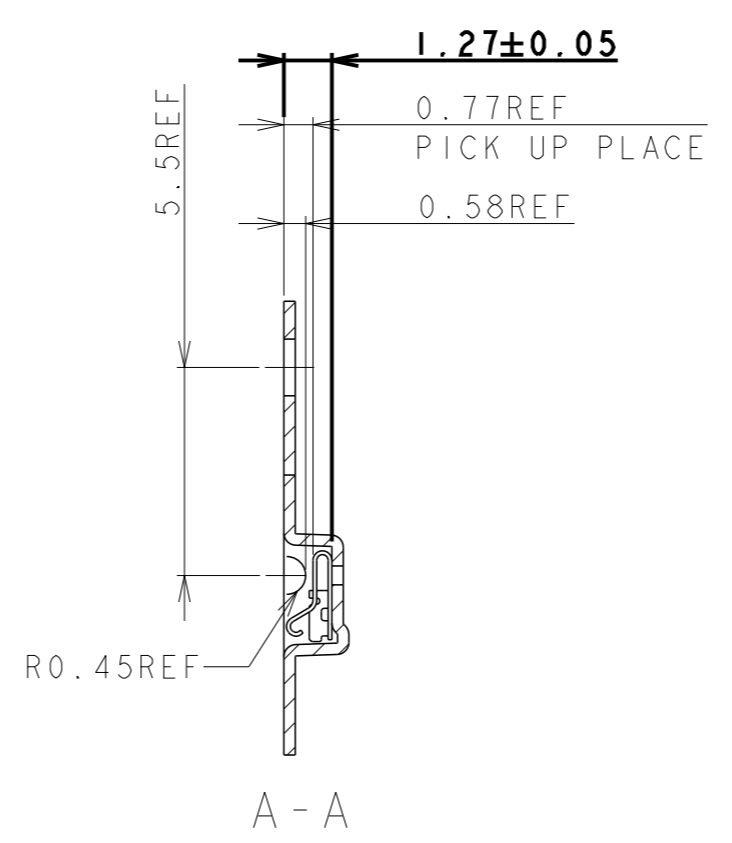
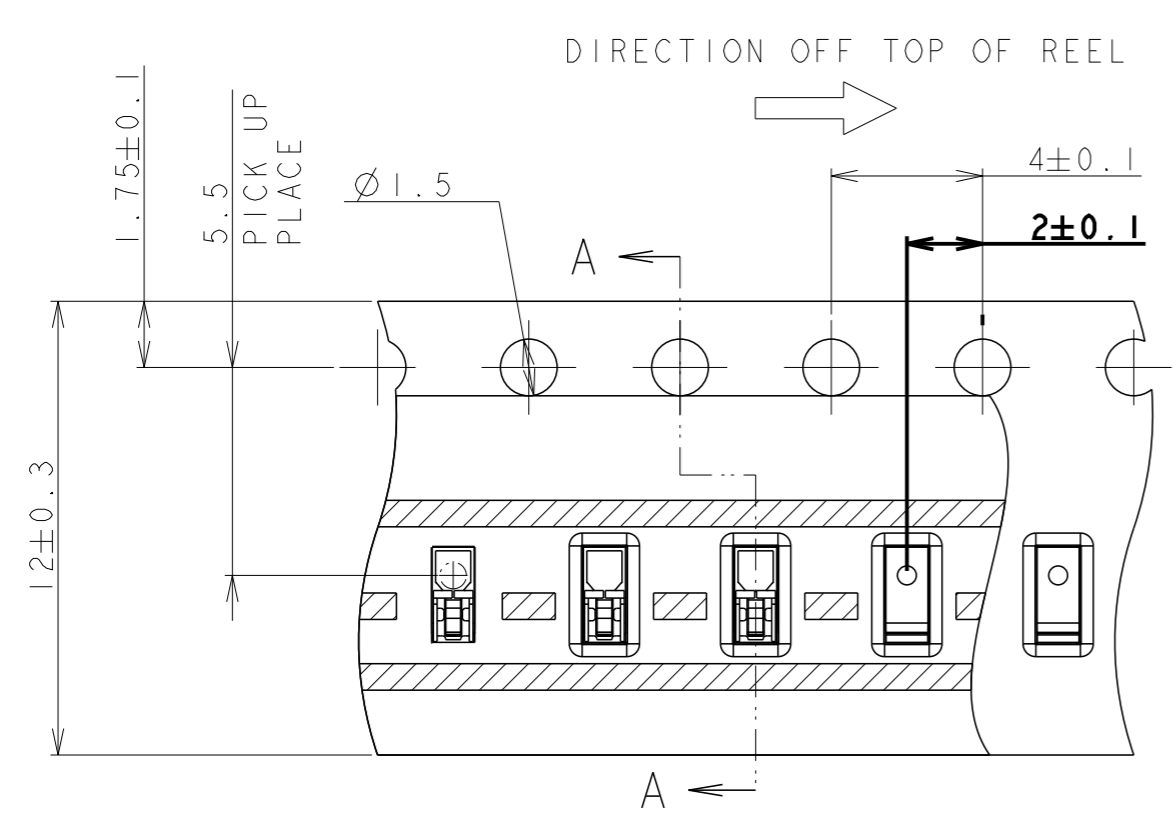
OF 2

REV A3

THIS DRAWING IS UNPUBLISHED. RELEASED FOR PUBLICATION 20
 © COPYRIGHT 20 BY - ALL RIGHTS RESERVED.

LOC J DIST

REVISIONS				
P	LTR	DESCRIPTION	DATE	APVD
-	-	SEE SHEET 1	-	-



SCALE 1:5

THIS DRAWING IS A CONTROLLED DOCUMENT.

DIMENSIONS:	TOLERANCES UNLESS OTHERWISE SPECIFIED:
mm	±0.2
Ø PLC	±
1 PLC	±0.5
2 PLC	±0.13
3 PLC	±0.013
4 PLC	±0.0001
ANGLES	±3°
MATERIAL	FINISH

DWN	-	 TE Connectivity	NAME		
CHK	-				
APVD	-				
PRODUCT SPEC	-				
APPLICATION SPEC	-	SHIELD FINGER 1210	RESTRICTED TO		
WEIGHT	4.4 mg				
CUSTOMER DRAWING	-				
SIZE	A3	CAGE CODE	00779	DRAWING NO	C-2199001
SCALE	5:1	SHEET	2	OF	2
REV	A3				

X-ON Electronics

Largest Supplier of Electrical and Electronic Components

Click to view similar products for [EMI Gaskets, Sheets, Absorbers & Shielding](#) category:

Click to view products by [TE Connectivity](#) manufacturer:

Other Similar products are found below :

[8101010140](#) [8563-0090-89](#) [1194-7.7X10](#) [1245-34"X18YD](#) [1267](#) [1345-3/8x18yrd](#) [1554907-1](#) [2320002000](#) [2320014700](#) [SG293037DS](#)
[ST005PCN50](#) [55005107](#) [38M4040AA0606](#) [46J5N02020.NN00](#) [1125-8X10](#) [1126X1"](#) [1170-3/4X18YDS](#) [1170-7.7x10](#) [1183-12"X18YD](#) [6-](#)
[34T-BD-0.315](#) [SG125187D-24](#) [SG125250R-24](#) [SG187375R-24](#) [SG284050DS](#) [8402010540](#) [KIT TECH CLIP](#) [1194](#) [10-40450-28S](#) [1245](#)
[1267-1/2"x18yd](#) [46J8501020.NN00](#) [1170-1/4"x18yd](#) [AL-36FR-1x54.5](#) [3013310A](#) [1194X1"](#) [3020604](#) [3021302](#) [3031313](#) [260709](#) [3021310](#) [6-](#)
[34UT-070-BD-16](#) [303076048](#) [46J5N03020.NN00](#) [30206025](#) [30395641](#) [3030403](#) [3690103020](#) [HNY-LT15CU4241](#) [46X7503020.NN00](#)
[46W5E02520.NN00](#)