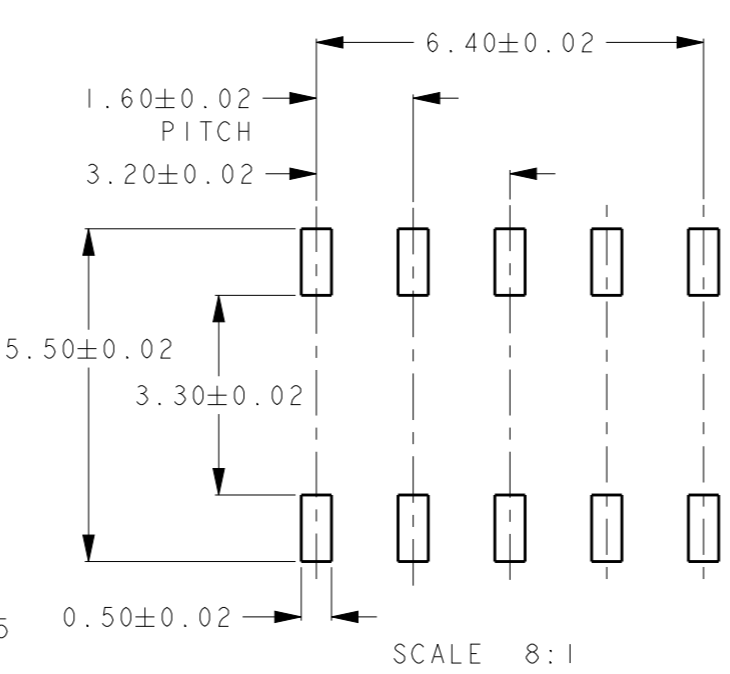
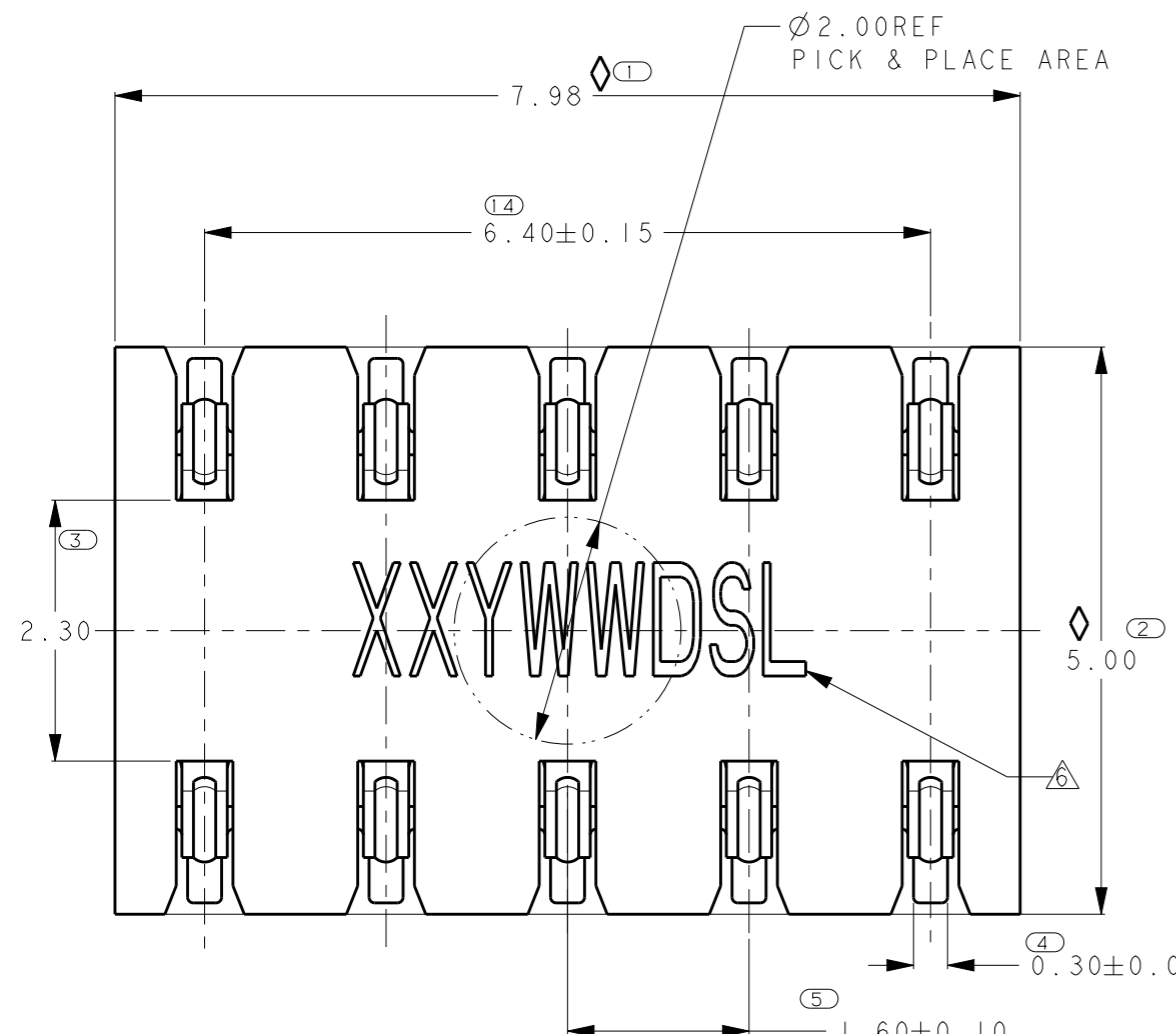
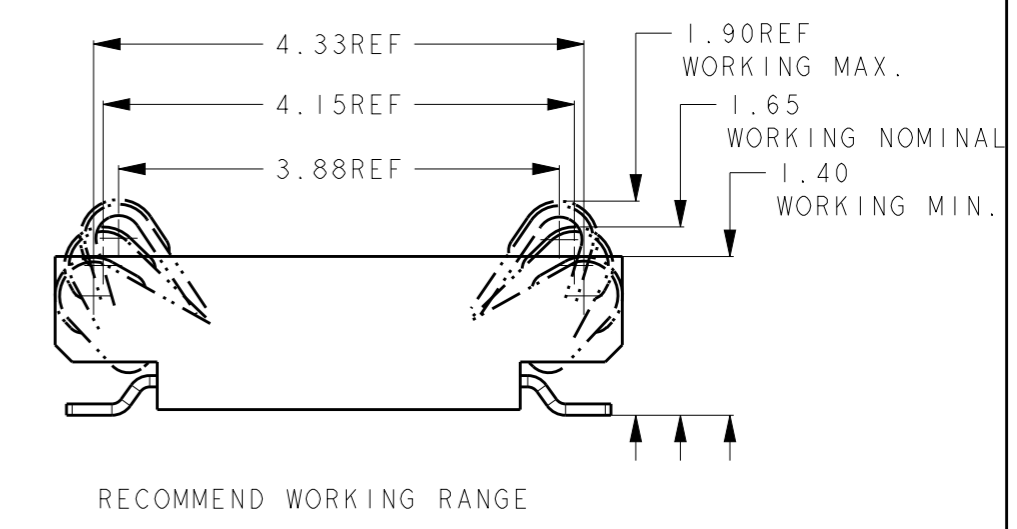
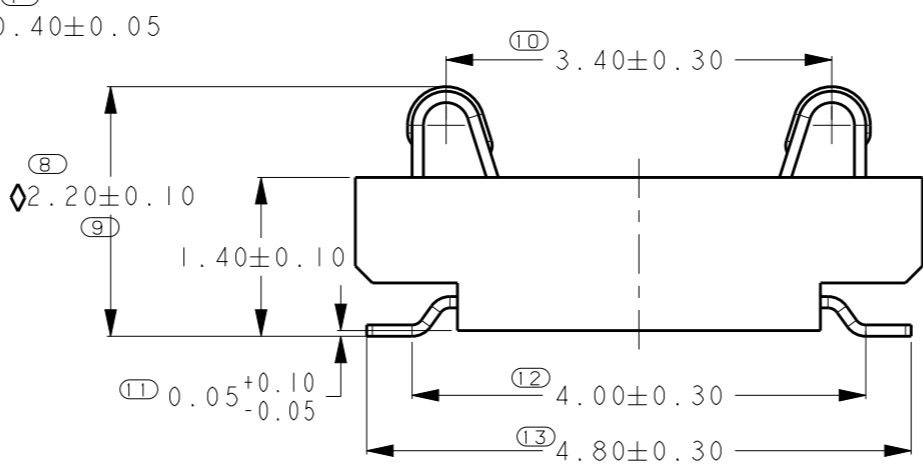
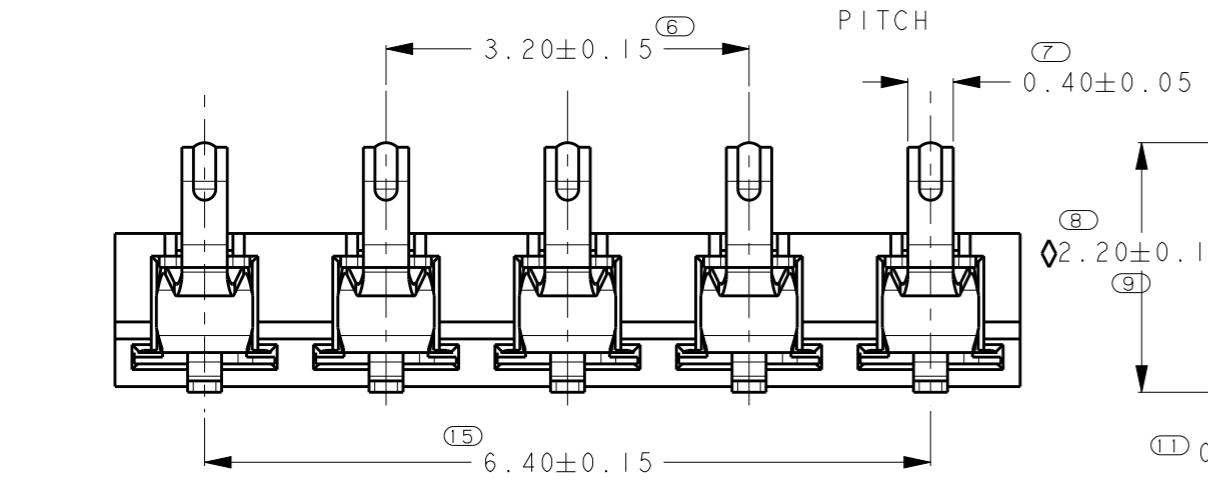
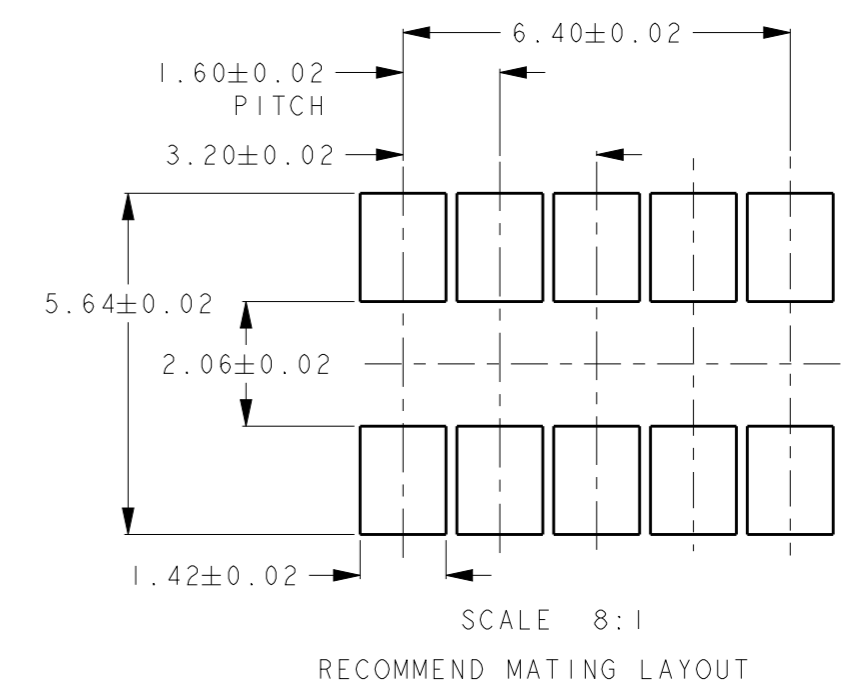


THIS DRAWING IS UNPUBLISHED. RELEASED FOR PUBLICATION 20
 © COPYRIGHT 20 ALL RIGHTS RESERVED.

LOC	DIST	REVISIONS				
P	LTR	DESCRIPTION	DATE	DWN	APVD	
ES		A	INITIAL	20MAR2013	R.W S.Y	



AS SHOWN: 2199035-2



- NOTES:
- △ MATERIAL: TERMINAL : COPPER ALLOY, THICKNESS 0.10mm. HOUSING : HIGH TEMPERATURE THERMAL PLASTIC UL94V-0 BLACK
 - △ FINISH: TERMINAL : 0.10-0.2 um GOLD PLATING ON CONTACT AREA, 1.25 um MIN. NICKLE UNDER PLATING, GOLD FLASH PLATING ON SOLDERING AREA.
 - ◇3 COPLANARITY : 0.08 MAX. AMANG ALL SOLDER TAILS.
 - 4 PACKAGING : TAPE & REEL.
 - 5 NMP CODE : 5469B96.
 - △6 DATE CODE : "XXYWWSL"
 - XX = VERSION NO. FOR EXAMPLE: PI, VI, AI
 - P = PROTO TOOL; V = PRODUCTION TOOL; A = MASS APPROVED.
 - YWWD = PRODUCTION DATE (YEAR, WEEK, DAY).
 - S = SHIFT (D=DYA, N=NIGHT); L = LINE NUMBER.

THIS DRAWING IS A CONTROLLED DOCUMENT.		DWN	20MAR2013	 TE Connectivity	NAME ONE PIECE BtoB CONNECTOR 10 PINS, 1.6MM PITCH, HI.65, TWO ROWS
DIMENSIONS:		CHK	20MAR2013		
mm		APVD	20MAR2013		
TOLERANCES UNLESS OTHERWISE SPECIFIED: ±0.20		PRODUCT SPEC	108-115039		
0 PLC ± 1 PLC ± 2 PLC ± 3 PLC ± 4 PLC ± ANGLES ±5°		APPLICATION SPEC	-	SIZE	A300779
MATERIAL		WEIGHT	0.101g	CAGE CODE	C-2199035
FINISH		CUSTOMER DRAWING		DRAWING NO	SCALE 15:1
				RESTRICTED TO	SHEET 1 OF 2
				REV	A

4

3

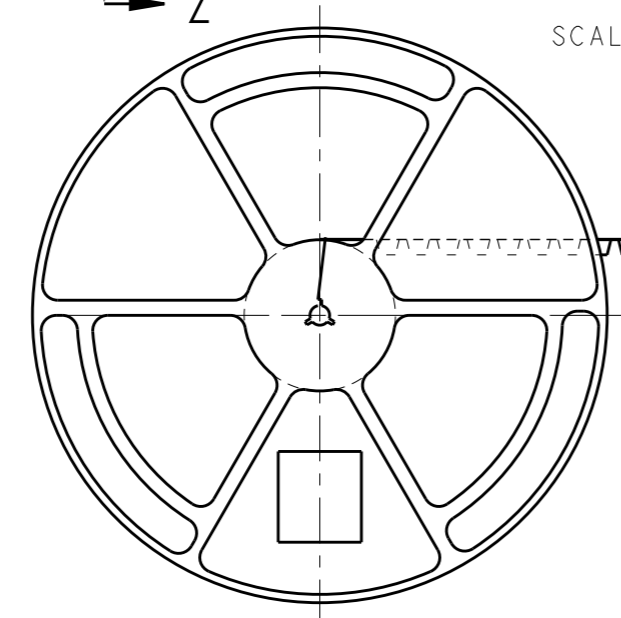
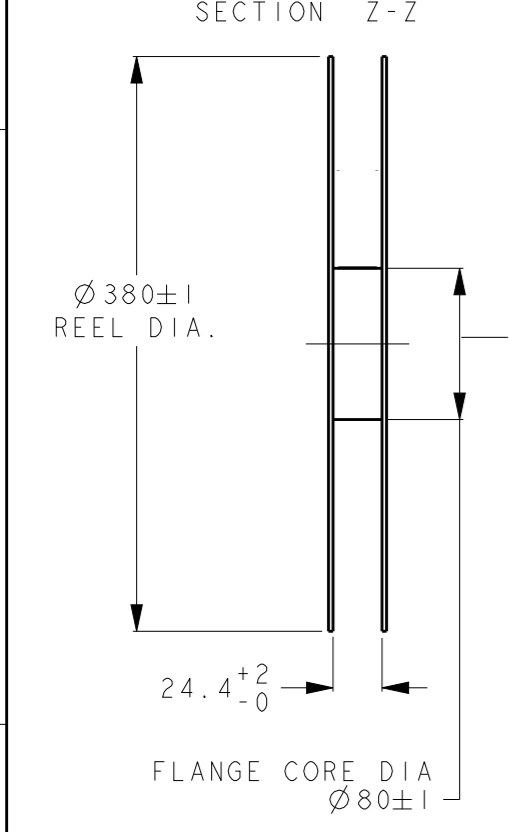
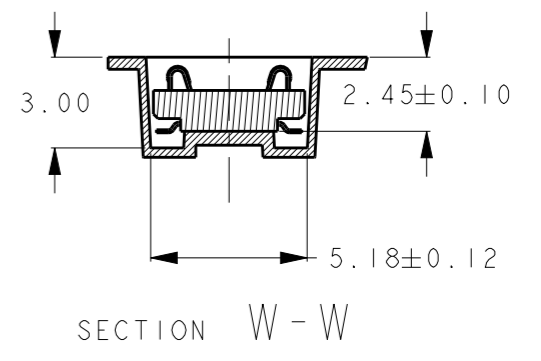
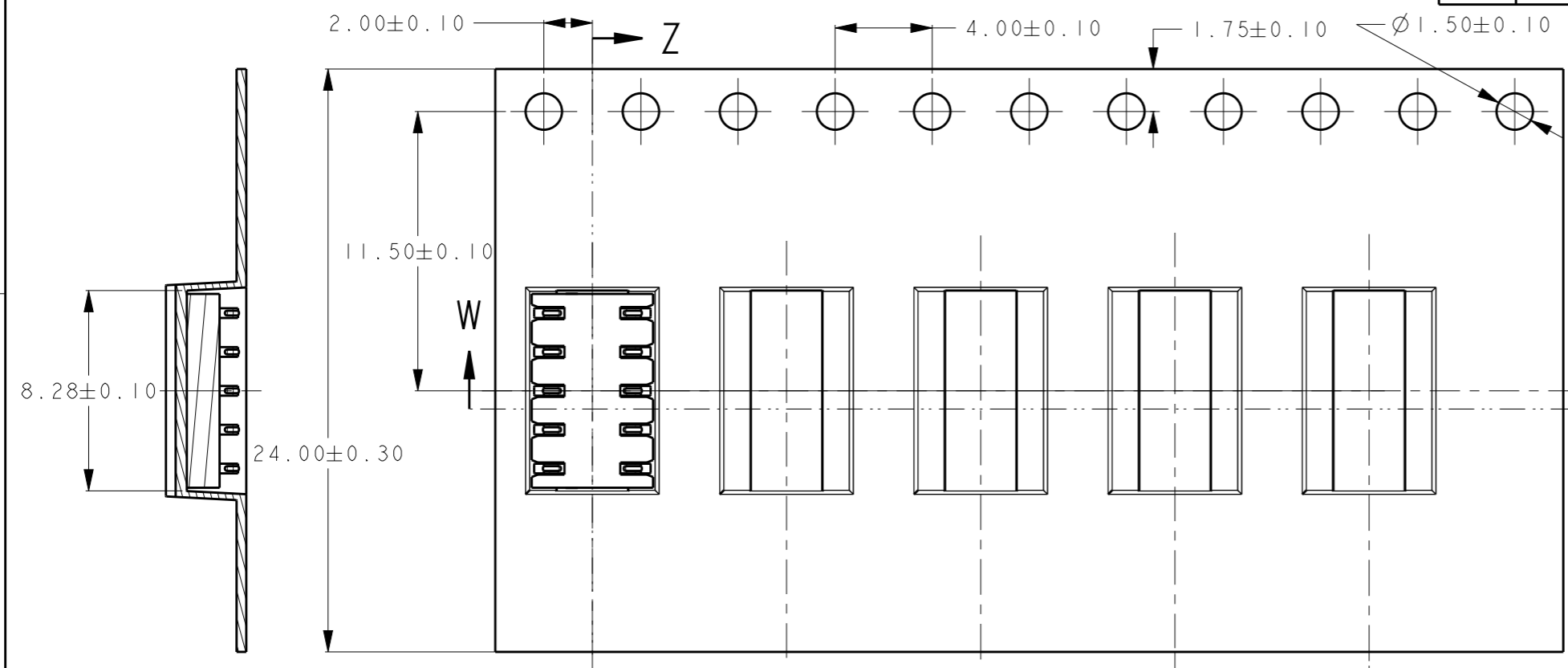
2

1

THIS DRAWING IS UNPUBLISHED. RELEASED FOR PUBLICATION 20 ALL RIGHTS RESERVED.

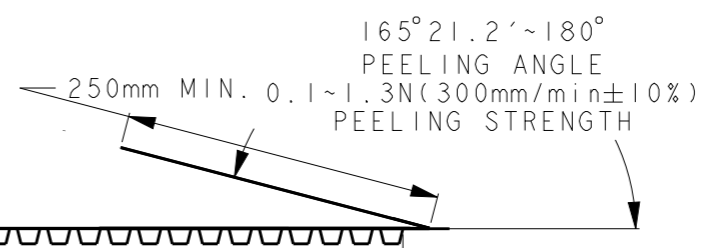
LOC ES DIST

REVISIONS					
P	LTR	DESCRIPTION	DATE	DWN	APVD
-	-	SEE SHEET 1	-	-	-



SCALE 4:1

8.00



40mm MIN. WITHOUT CHARGE SEALED WITH COVER TAPE

WITH PRODUCT CHARGE 3500 PCS/IREEL

100mm MIN. WITHOUT CHARGE SEALED WITH COVER TAPE

NOTES:
 1. MATERIAL: P.S CLEAR, 0.4MM THICKNESS.
 2. QUANTITY PER REEL: 3500 PIECES.

THIS DRAWING IS A CONTROLLED DOCUMENT.		DWN	20MAR2013	STE TE Connectivity
		CHK	20MAR2013	
		APVD	20MAR2013	
		NAME	STEVEN YAO	
DIMENSIONS: mm		PRODUCT SPEC	ONE PIECE BtoB CONNECTOR 10 PINS, 1.6MM PITCH, HI.65 TWO ROWS	
TOLERANCES UNLESS OTHERWISE SPECIFIED: ±0.20		APPLICATION SPEC	-	
0-PLC ±		WEIGHT	-	
1-PLC ±		CUSTOMER DRAWING	-	
2-PLC ±		SCALE	15:1	
3-PLC ±		SIZE	A300779	
4-PLC ±		CAGE CODE	C-2199035	
ANGLES ±5°		DRAWING NO	-	
FINISH		RESTRICTED TO	-	
MATERIAL		SCALE	15:1	
		SHEET	2 OF 2	
		REV	A	

X-ON Electronics

Largest Supplier of Electrical and Electronic Components

Click to view similar products for [Board to Board & Mezzanine Connectors](#) category:

Click to view products by [TE Connectivity](#) manufacturer:

Other Similar products are found below :

[10135583-642402LF](#) [89885-310LF](#) [589158040000018](#) [6-1393048-0](#) [68683-613](#) [MDF7-12DP-2.54DSA](#) [MDF7-18P-2.54DSA\(01\)](#) [MDF7-20DP-2.54DSA](#) [MDF7-26D-2.54DSA\(55\)](#) [MDF7-3P-2.54DSA\(01\)](#) [MDF7B-20P-2.54DSA\(01\)](#) [MDF7B-3P-2.54DSA\(55\)](#) [MDF7C-18P-2.54DSA\(55\)](#) [MDF7P-5P-2.54DSA\(55\)](#) [75234-0516](#) [FCN-230C068-11](#) [FCN-268F012-G/BD](#) [FCN-268F036-G/BD](#) [FCN-268M012-G/0D](#) [FCN-268M024-G/1D](#) [FCN-360C008-C](#) [FCN-723J004/1](#) [MIS-048-01-F-D-DP-K](#) [832-10-034-10-001000](#) [93696-325LF](#) [11828-1FA](#) [AXK630345P](#) [18097-0013](#) [2007042-2](#) [304400-2](#) [FCN-214Q030-G/0](#) [FCN-215Q040-G/0](#) [FCN-230C068-ESA](#) [FCN-234P048-G/0](#) [FCN-235D050-G/C](#) [FCN-360A3](#) [FCN-360C040-B](#) [210-93-314-41-105000](#) [2-22603-0](#) [379-064-521-202](#) [MDF7-12P-2.54DSA\(01\)](#) [MDF7-16P-2.54DS\(56\)](#) [MDF7-16P-2.54DSA\(55\)](#) [MDF7-40DP-2.54DSA\(55\)](#) [MDF7-8P-2.54DSA\(55\)](#) [AXG720047](#) [5031084030](#) [55323-1519](#) [DF33-2P-3.3DSA\(24\)](#) [DF33-2S-3.3C](#)