

4

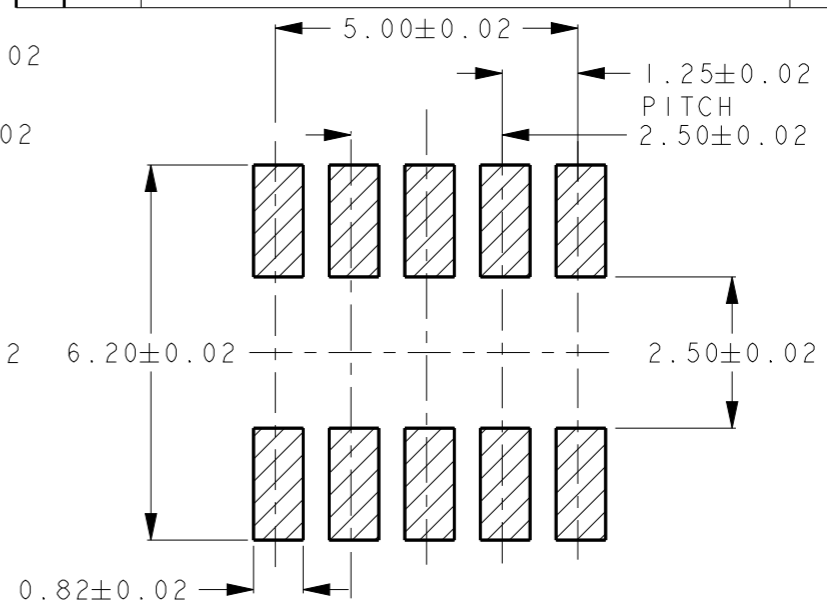
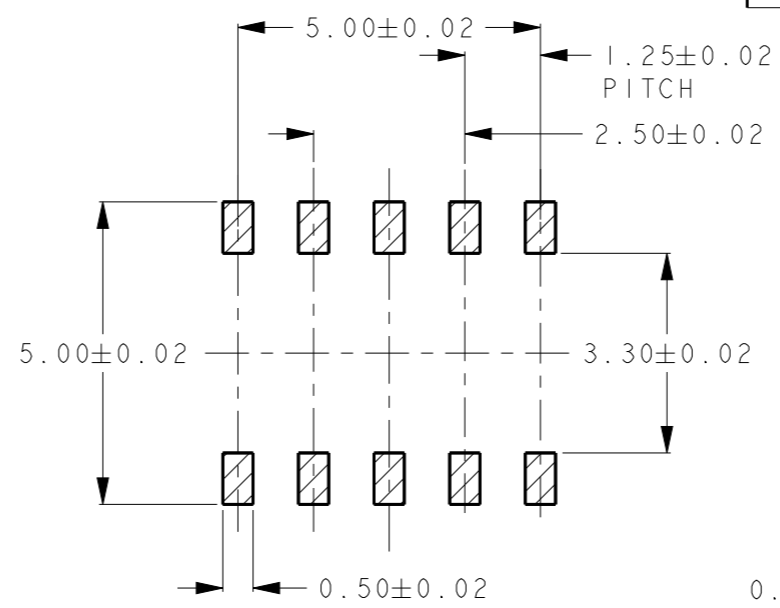
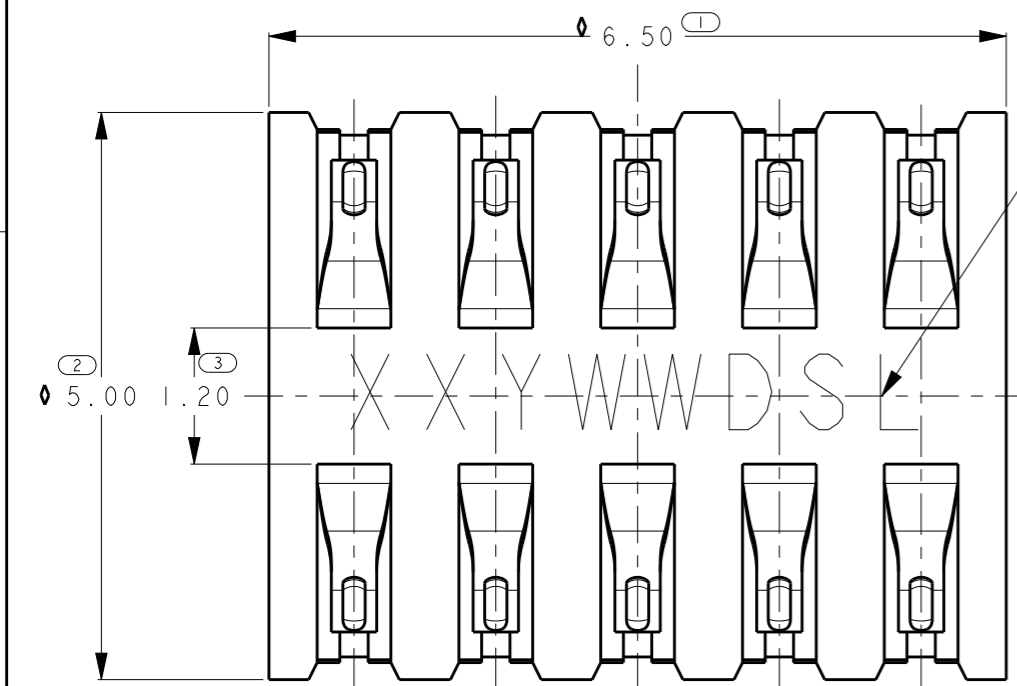
3

2

1

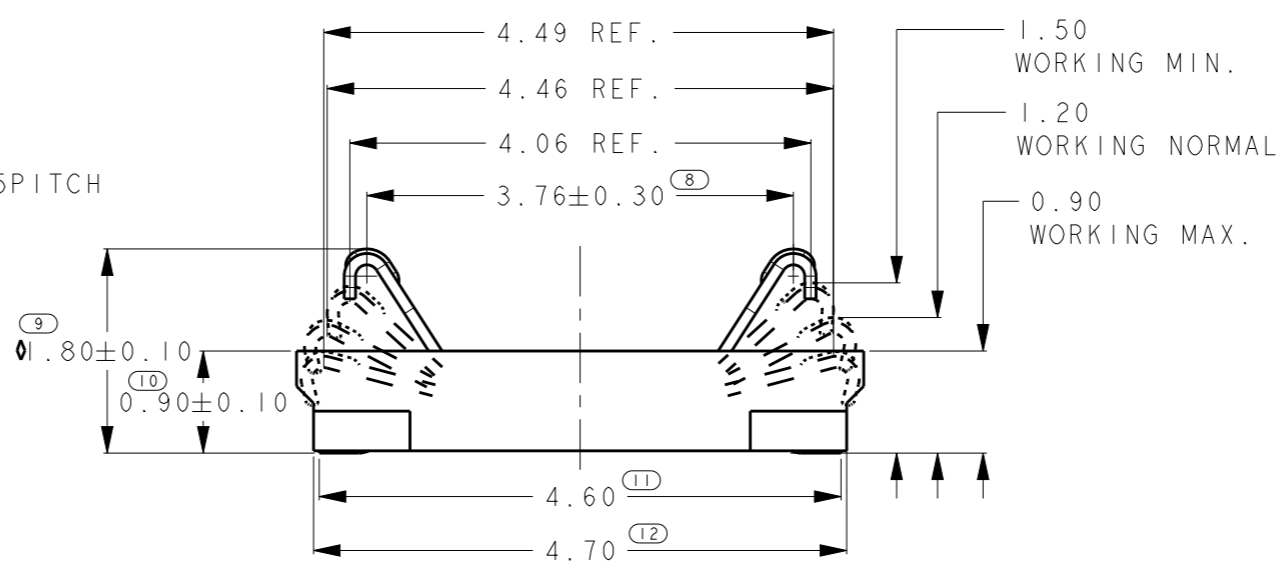
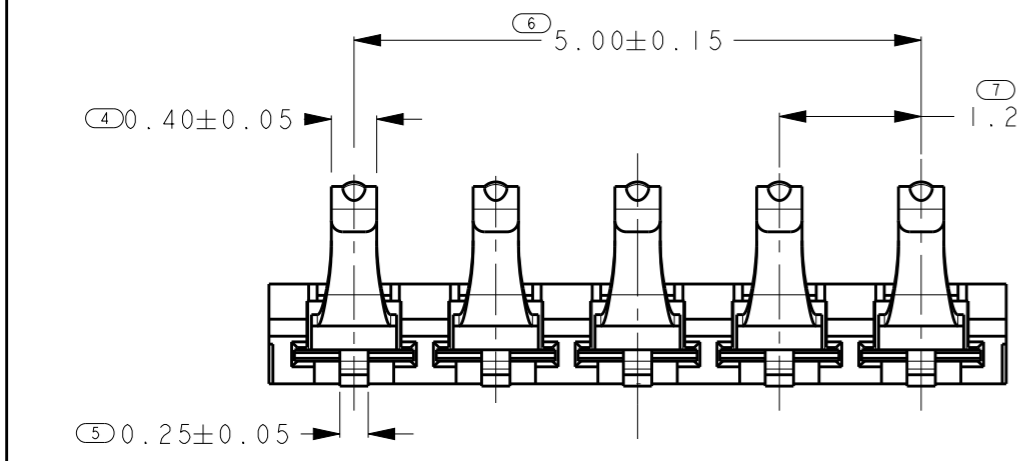
THIS DRAWING IS UNPUBLISHED. RELEASED FOR PUBLICATION 20  
 © COPYRIGHT 20 ALL RIGHTS RESERVED.

LOC	DIST	REVISIONS					
ES		P	LTR	DESCRIPTION	DATE	DWN	APVD
			A	INITIAL	21MAR2013	R.W	S.Y



SCALE 8:1  
RECOMMEND SOLDERING PWB LAYOUT

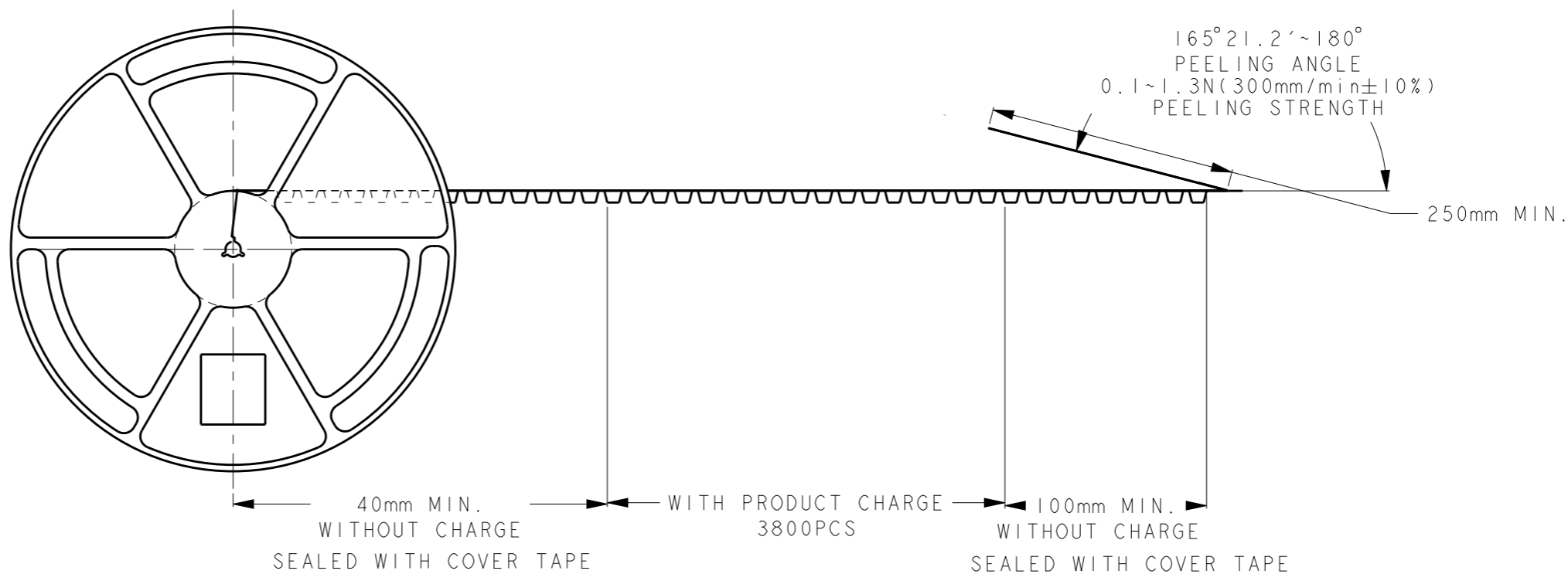
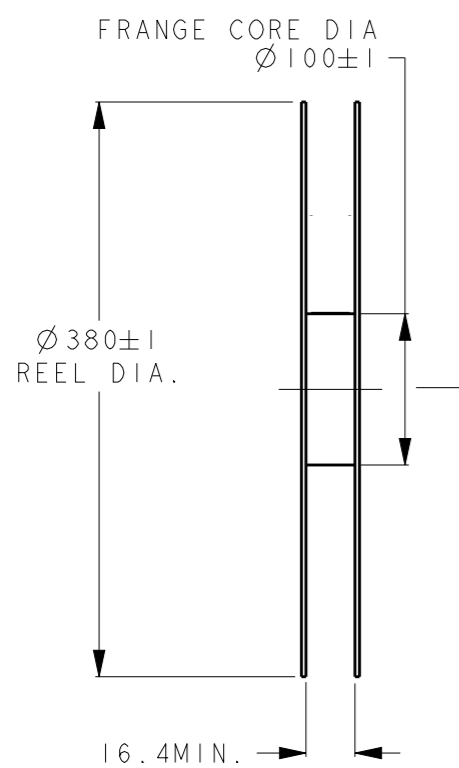
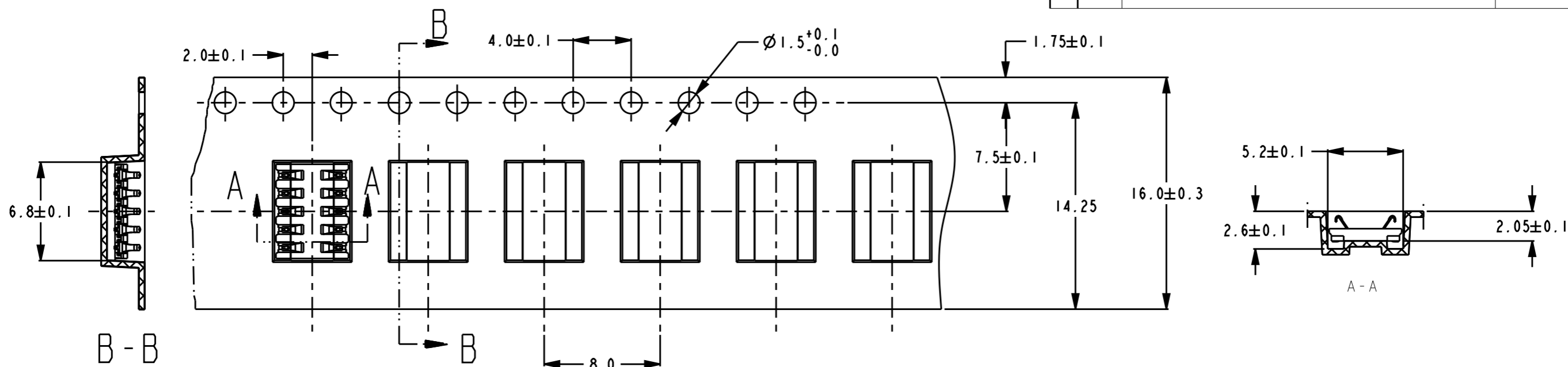
SCALE 8:1  
RECOMMEND MATING LAYOUT



NOTES:  
 1. TE PART NUMBER: 2199055-2  
 MATERIAL  
 TERMINAL: COPPER ALLOY, THICKNESS 0.10mm.  
 HOUSING: HIGH TEMPERATURE THERMO PLASTIC  
 UL94V-0 BLACK  
 2. FINISH  
 TERMINAL: 0.10-0.2 um GOLD PLATING ON CONTACT AREA,  
 1.25 um MIN. NICKLE UNDER PLATING,  
 GOLD FLASH PLATING ON SOLDERING AREA.  
 3. COPLANARITY: 0.08 MAX. AMANG ALL SOLDER TAILS.  
 PACKAGING: TAPE & REEL.  
 DATE CODE: "XXYWWSL"  
 XX = VERSION NO. FOR EXAMPLE: P1, V1, A1  
 P = PROTO TOOL; V = PRODUCTION TOOL; A = MASS APPROVED.  
 YWWD = PRODUCTION DATE (YEAR, WEEK, DAY).  
 S = SHIFT (D=DYA, N=NIGHT); L = LINE NUMBER.

THIS DRAWING IS A CONTROLLED DOCUMENT.		DWN	21MAR2013	<b>STE</b> TE Connectivity
		CHK	RAY WANG	
		APVD	HE WENKE	
		APVD	21MAR2013	NAME
		PRODUCT SPEC	STEVEN YAO	ONE PIECE BtoB CONNECTOR
		APPLICATION SPEC	108-115045	10 PINS, HI.20, TWO ROWS
		WEIGHT	0.0723	SIZE
		CUSTOMER DRAWING		CAGE CODE
				DRAWING NO
				RESTRICTED TO
				A300779
				G=2199055
				SCALE 20:1
				SHEET 1 OF 2
				REV A

P	LTR	DESCRIPTION	DATE	DWN	APVD



NOTES:  
 1. TAPE MATERIAL: P.S 0.4mm THICKNESS, COLOR: NATURAL.  
 2. QUANTITY PER REEL: 3800PCS.

THIS DRAWING IS A CONTROLLED DOCUMENT.

DWN RAY WANG 21MAR2013  
 CHK WENKE HE 21MAR2013  
 APVD STEVEN YAO 21MAR2013



DIMENSIONS:	TOLERANCES UNLESS OTHERWISE SPECIFIED:
mm	±0.20
	0-PLC ±
	1-PLC ±0.50
	2-PLC ±0.20
	3-PLC ±
	4-PLC ±
	ANGLES ±
MATERIAL	FINISH

NAME  
 PRODUCT SPEC  
 APPLICATION SPEC  
 WEIGHT

ONE PIECE BtoB CONNECTOR  
 10 PINS, HI.20, 2 ROWS

SIZE	CAGE CODE	DRAWING NO	RESTRICTED TO
A3	00779	C=2199055	-

Customer Drawing SCALE 3:1 SHEET 2 OF 2 REV A

## X-ON Electronics

Largest Supplier of Electrical and Electronic Components

*Click to view similar products for [Board to Board & Mezzanine Connectors](#) category:*

*Click to view products by [TE Connectivity](#) manufacturer:*

Other Similar products are found below :

[589158040000018](#) [MDF7C-18P-2.54DSA\(55\)](#) [FCN-230C068-11](#) [FCN-268F012-G/BD](#) [FCN-268F036-G/BD](#) [FCN-268M012-G/0D](#) [FCN-268M024-G/1D](#) [FCN-723J004/1](#) [MIS-048-01-F-D-DP-K](#) [832-10-034-10-001000](#) [FX4C-80S-1.27DSA](#) [FCN-214Q030-G/0](#) [FCN-234P048-G/0](#) [FCN-235D050-G/C](#) [210-93-314-41-105000](#) [2-22603-0](#) [MDF7-40DP-2.54DSA\(55\)](#) [AXG720047](#) [5031084030](#) [MIT-114-03-F-D-K](#) [55323-1519](#) [DF33-2P-3.3DSA\(24\)](#) [YFT-20-05-H-03-SB-K](#) [503308-3040](#) [026-6203-PDB](#) [027-6203-PDB](#) [069159702701000](#) [10123981-102LF](#) [101A10019X](#) [55650-0588-C](#) [68682-310LF](#) [68684-306](#) [75140-7012](#) [87471-650](#) [194261-1](#) [FCN-268F024-G0D](#) [10124054-515LF](#) [68685-603](#) [8-1616154-3](#) [MIS-019-01-F-D](#) [FCN-268M024-G/3D](#) [20021832-06016C1LF](#) [KX15-20KLDL-E1000E](#) [MDF7-16DP-2.54DSA\(55\)](#) [AXE810124](#) [FCN-214J100-G/0](#) [FCN-230C068-E/S](#) [AXE812124](#) [AXE816124](#) [AXE720127](#)