

THIS DRAWING IS UNPUBLISHED.

RELEASED FOR PUBLICATION

20

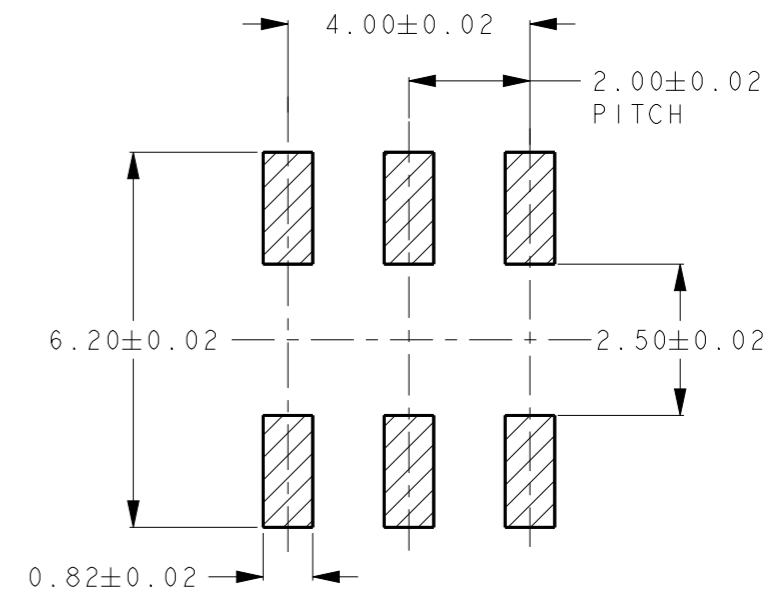
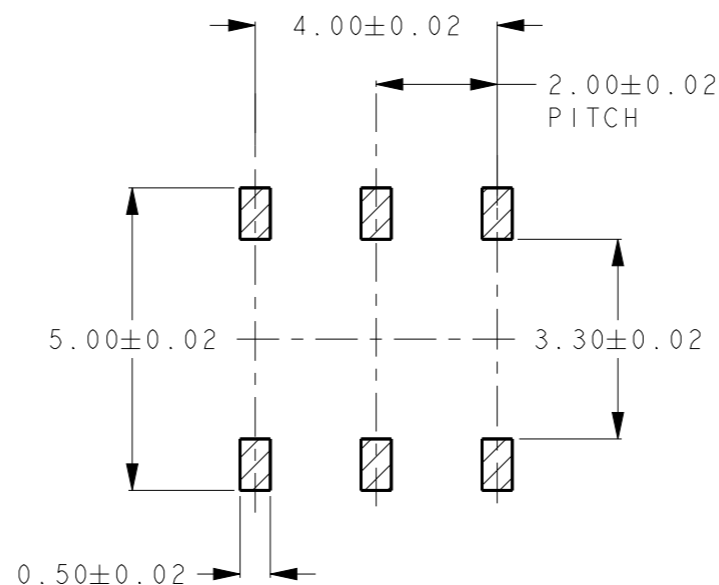
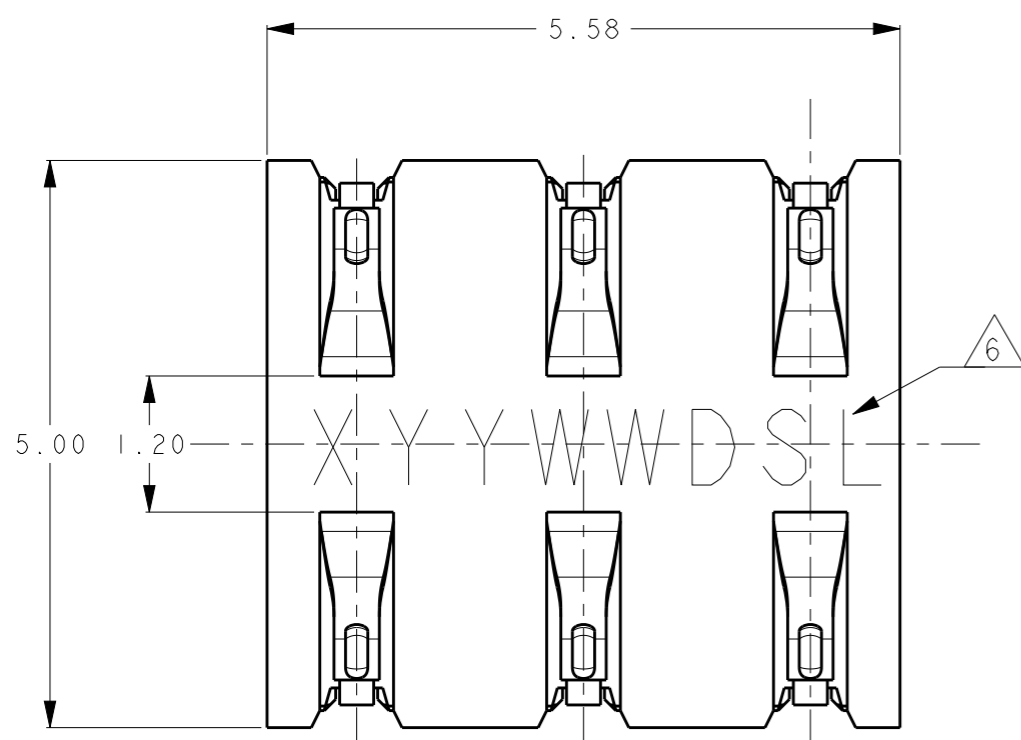
LOC
ES

DIST

REVISIONS

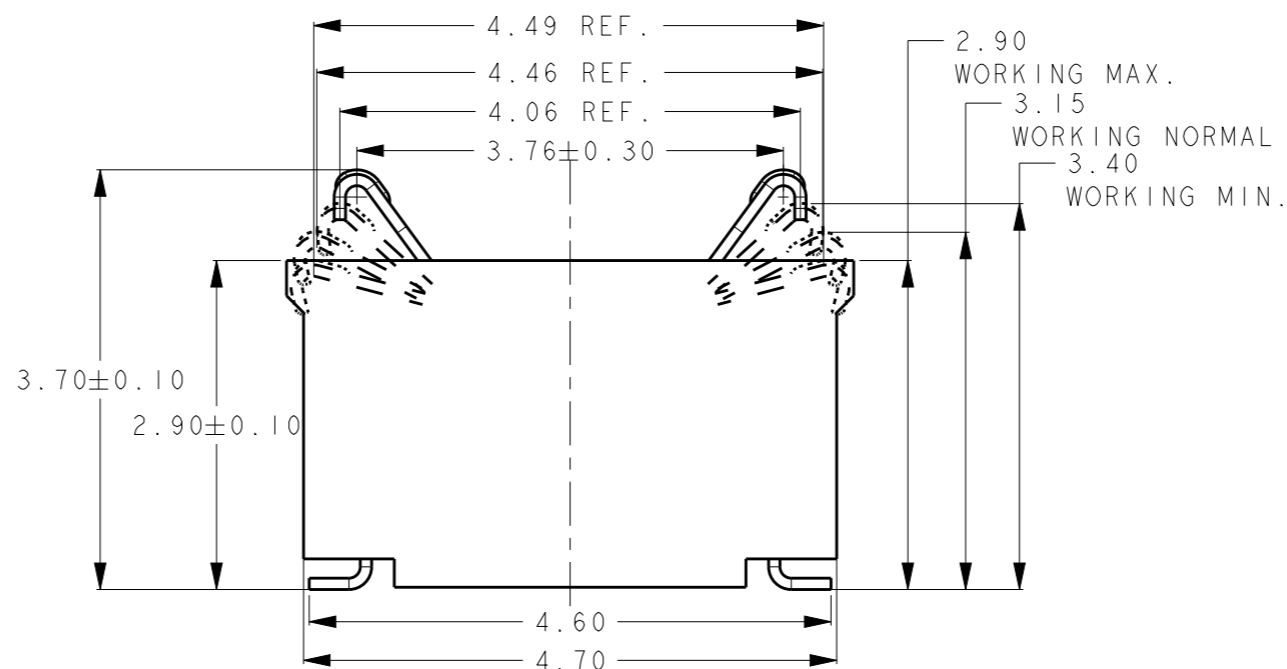
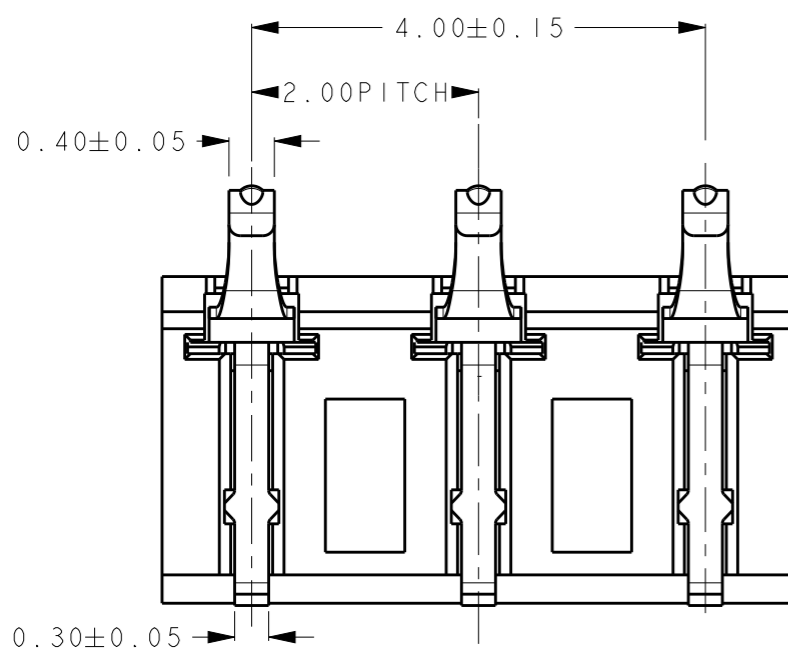
© COPYRIGHT 20 ALL RIGHTS RESERVED.

P	LTR	DESCRIPTION	DATE	DWN	APVD
	A	INITIAL RELEASE	07FEB2020	K.G	W.H



SCALE 8:1
RECOMMEND SOLDERING PWB LAYOUT
TOLERANCE: 0.05mm

SCALE 8:1
RECOMMEND MATING LAYOUT
TOLERANCE: 0.05mm



NOTES:

- ② TE PART NUMBER: 2199064-2
- MATERIAL
TERMINAL: COPPER ALLOY, THICKNESS 0.10mm.
HOUSING: HIGH TEMPERATURE THERMO PLASTIC
UL94V-0 BLACK
- ③ FINISH
TERMINAL: 0.10-0.2 um GOLD PLATING ON CONTACT AREA,
1.25 um MIN. NICKLE UNDER PLATING,
GOLD FLASH PLATING ON SOLDERING AREA.
- 4 COPLANARITY: 0.08 MAX. AMANG ALL SOLDER TAILS.
- 5 PACKAGING: TAPE & REEL.
- ⑥ DATE CODE: "XXYWDSL"
VERSION NO. XX = VI
FOR EXAMPLE: P1, VI, A1.
P = PROTO TOOL; V = PRODUCTION TOOL; A = MASS APPROVED.
YYWD = PRODUCTION DATE (YEAR, WEEK, DAY).
S = SHIFT (D=DYA, N=NIGHT); L = LINE NUMBER.

THIS DRAWING IS A CONTROLLED DOCUMENT.

DIMENSIONS: mm	TOLERANCES UNLESS OTHERWISE SPECIFIED: ± 0.20
	0 PLC ±
	1 PLC ±
	2 PLC ±
	3 PLC ±
	4 PLC ±
	ANGLES ±5°
MATERIAL ②	FINISH ③

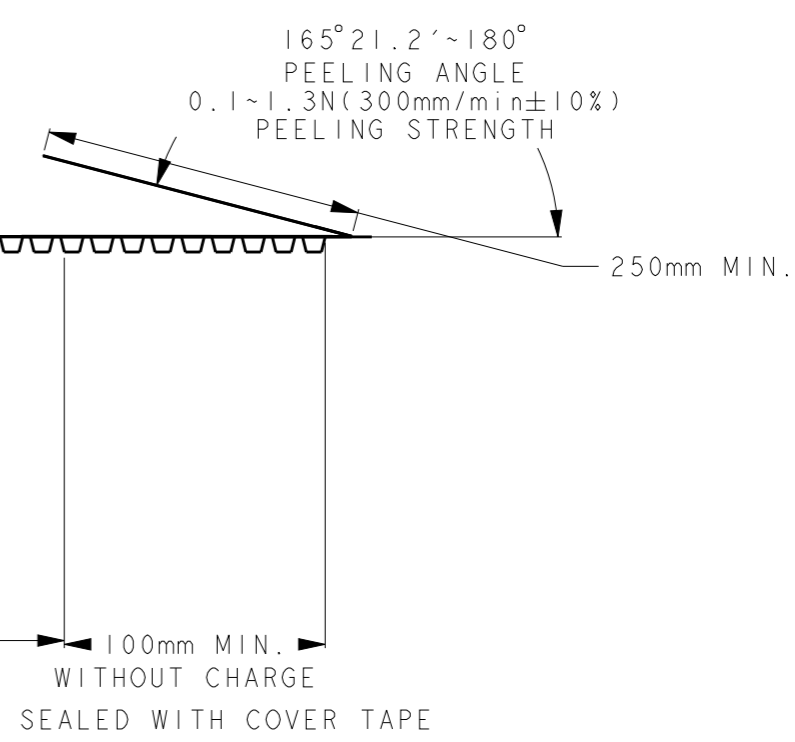
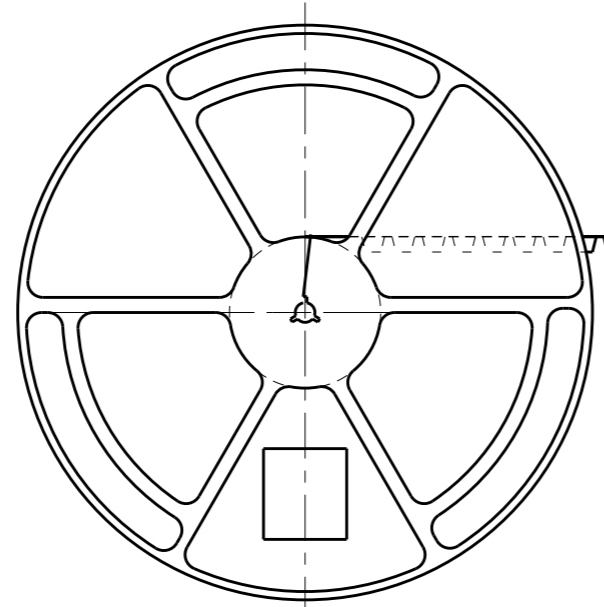
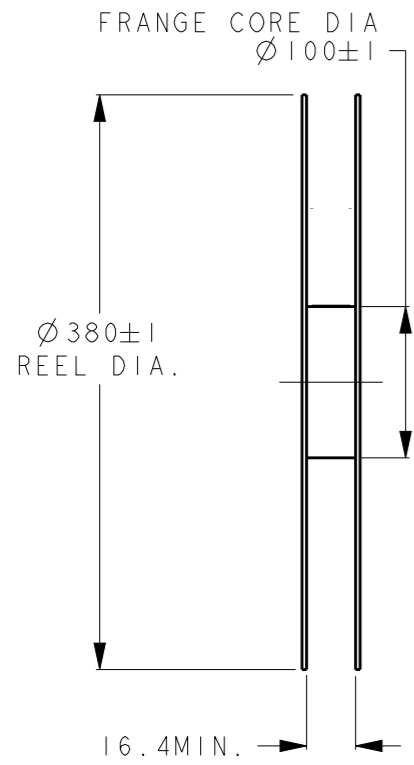
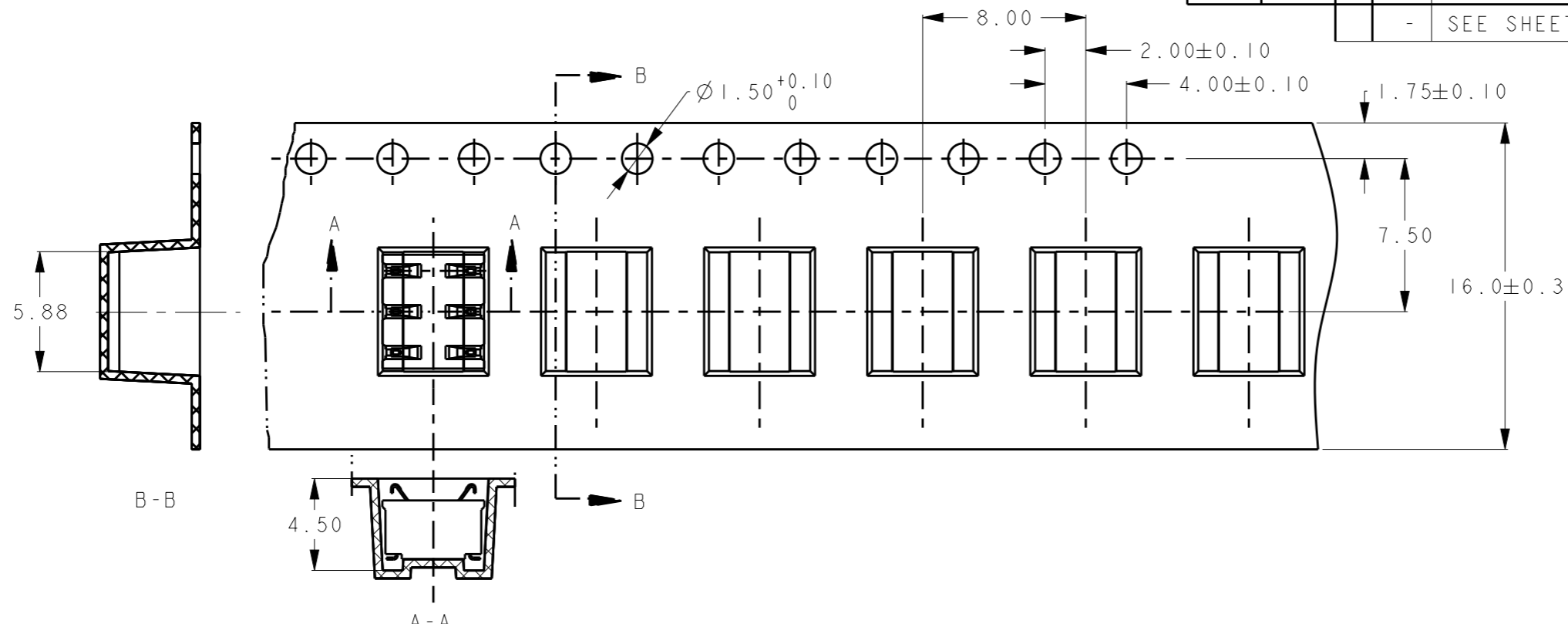
DWN	26MAR2013
RAY WANG	
CHK	26MAR2013
HE WENKE	
APVD	26MAR2013
STEVEN YAO	
PRODUCT SPEC	
108-115048	
APPLICATION SPEC	
-	
WEIGHT	0.108
CUSTOMER DRAWING	



TE Connectivity
ONE PIECE B to B CONNECTOR
6 PINS, H3.15, TWO ROWS

NAME	SIZE	CAGE CODE	DRAWING NO	RESTRICTED TO
	A3	00779	C-2199064	-
SCALE	SHEET	OF	REV	
20:1	1	1	A	

SEE SHEET 1




40mm MIN. WITHOUT CHARGE SEALED WITH COVER TAPE

WITH PRODUCT CHARGE 2400PCS

100mm MIN. WITHOUT CHARGE SEALED WITH COVER TAPE

- NOTES:
1. TAPE MATERIAL: P.S; THICKNESS 0.4mm.
 2. QUANTITY PER REEL: 2400PCS.

THIS DRAWING IS A CONTROLLED DOCUMENT.		DWN	26MAR2013	 TE Connectivity	NAME ONE PIECE BtoB CONNECTOR 6 PINS, H3.15, TWO ROWS
DIMENSIONS: mm		CHK	26MAR2013		
TOLERANCES UNLESS OTHERWISE SPECIFIED: ±0.20		APVD	26MAR2013		
0-PLC ± 1-PLC ± 2-PLC ± 3-PLC ± 4-PLC ± ANGLES ±5°		PRODUCT SPEC	-		
MATERIAL		FINISH	-	APPLICATION SPEC	-
		WEIGHT	-	SIZE	A300779
		CUSTOMER DRAWING		CAGE CODE	G-2199064
				DRAWING NO	
				RESTRICTED TO	-
				SCALE	20:1
				SHEET	2 OF 1
				REV	2

X-ON Electronics

Largest Supplier of Electrical and Electronic Components

Click to view similar products for [Board to Board & Mezzanine Connectors](#) category:

Click to view products by [TE Connectivity](#) manufacturer:

Other Similar products are found below :

[10135583-642402LF](#) [89885-310LF](#) [589158040000018](#) [6-1393048-0](#) [68683-613](#) [MDF7-12DP-2.54DSA](#) [MDF7-18P-2.54DSA\(01\)](#) [MDF7-20DP-2.54DSA](#) [MDF7-26D-2.54DSA\(55\)](#) [MDF7-3P-2.54DSA\(01\)](#) [MDF7B-20P-2.54DSA\(01\)](#) [MDF7B-3P-2.54DSA\(55\)](#) [MDF7C-18P-2.54DSA\(55\)](#) [MDF7P-5P-2.54DSA\(55\)](#) [75234-0516](#) [FCN-230C068-11](#) [FCN-268F012-G/BD](#) [FCN-268F036-G/BD](#) [FCN-268M012-G/0D](#) [FCN-268M024-G/1D](#) [FCN-360C008-C](#) [FCN-723J004/1](#) [MIS-048-01-F-D-DP-K](#) [832-10-034-10-001000](#) [93696-325LF](#) [11828-1FA](#) [AXK630345P](#) [18097-0013](#) [2007042-2](#) [304400-2](#) [FCN-214Q030-G/0](#) [FCN-215Q040-G/0](#) [FCN-230C068-ESA](#) [FCN-234P048-G/0](#) [FCN-235D050-G/C](#) [FCN-360A3](#) [FCN-360C040-B](#) [210-93-314-41-105000](#) [2-22603-0](#) [379-064-521-202](#) [MDF7-12P-2.54DSA\(01\)](#) [MDF7-16P-2.54DS\(56\)](#) [MDF7-16P-2.54DSA\(55\)](#) [MDF7-40DP-2.54DSA\(55\)](#) [MDF7-8P-2.54DSA\(55\)](#) [AXG720047](#) [5031084030](#) [55323-1519](#) [DF33-2P-3.3DSA\(24\)](#) [DF33-2S-3.3C](#)