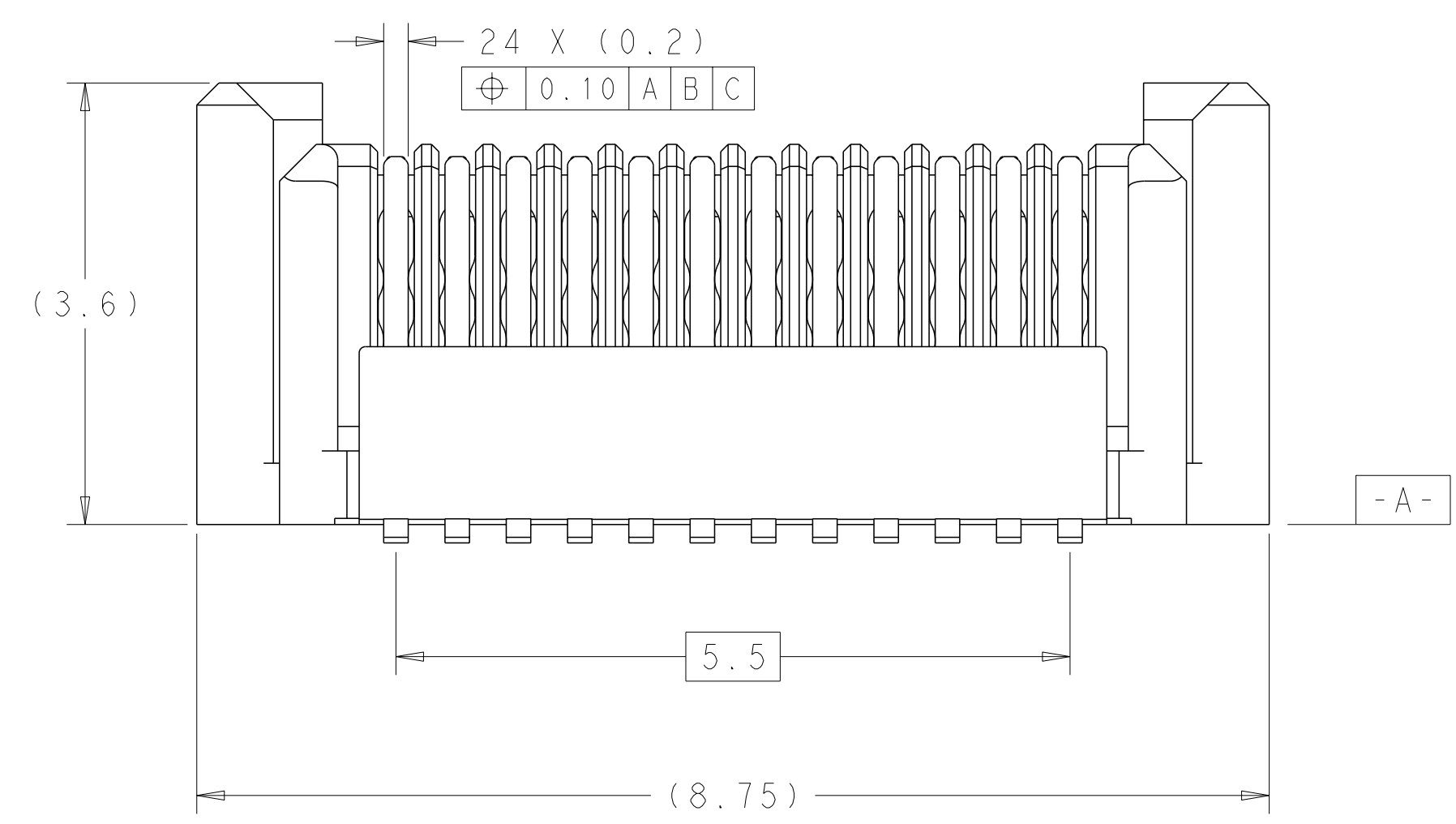
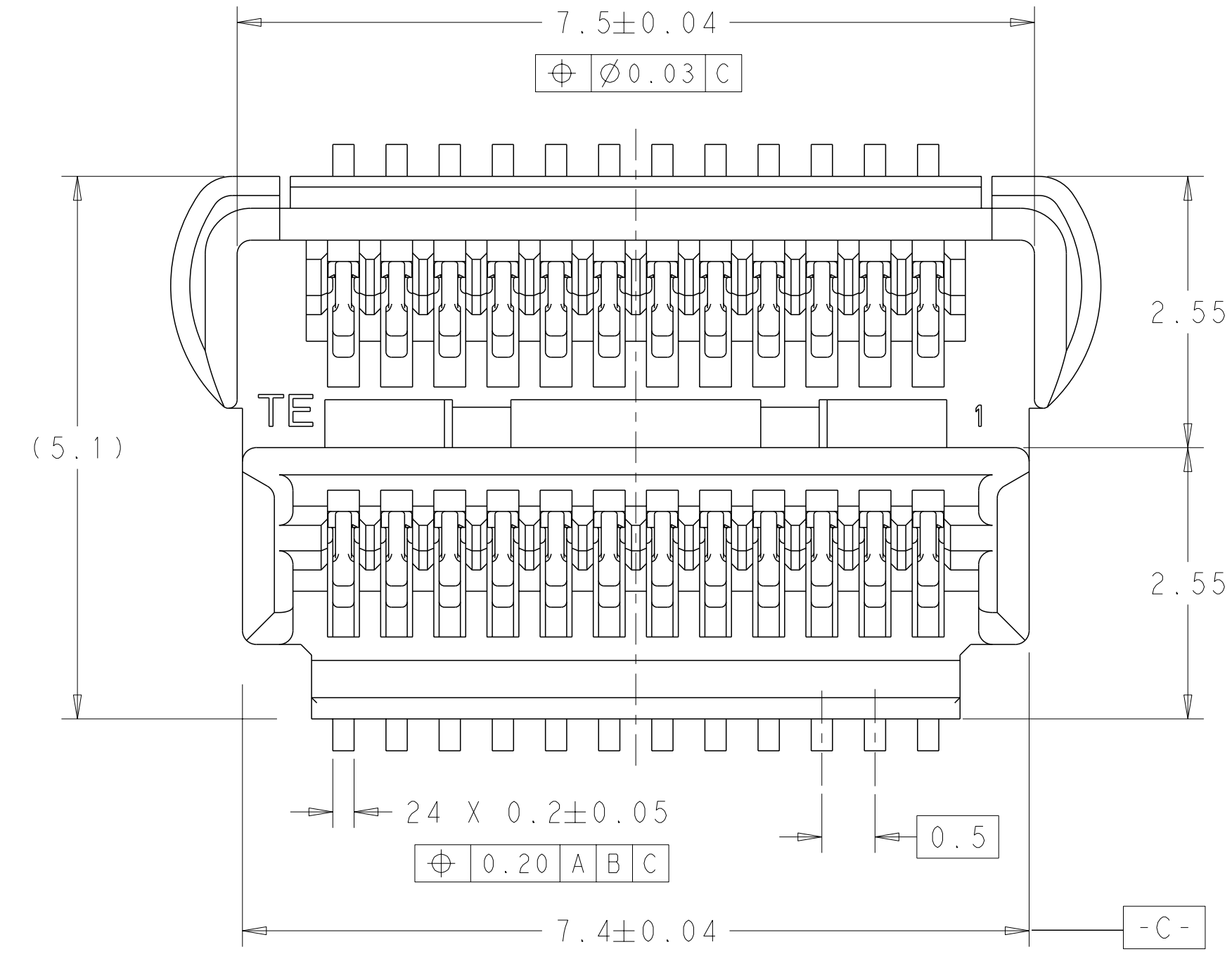


THIS DRAWING IS UNPUBLISHED. RELEASED FOR PUBLICATION 20
 © COPYRIGHT 20 ALL RIGHTS RESERVED.

LOC		DIST		REVISIONS			
P	LTR	DESCRIPTION	DATE	DWN	APVD		
	A1	REVISED PER ECR-15-008402	04JUN2015	I.T	W.H		



NOTES:

1. MATERIALS:

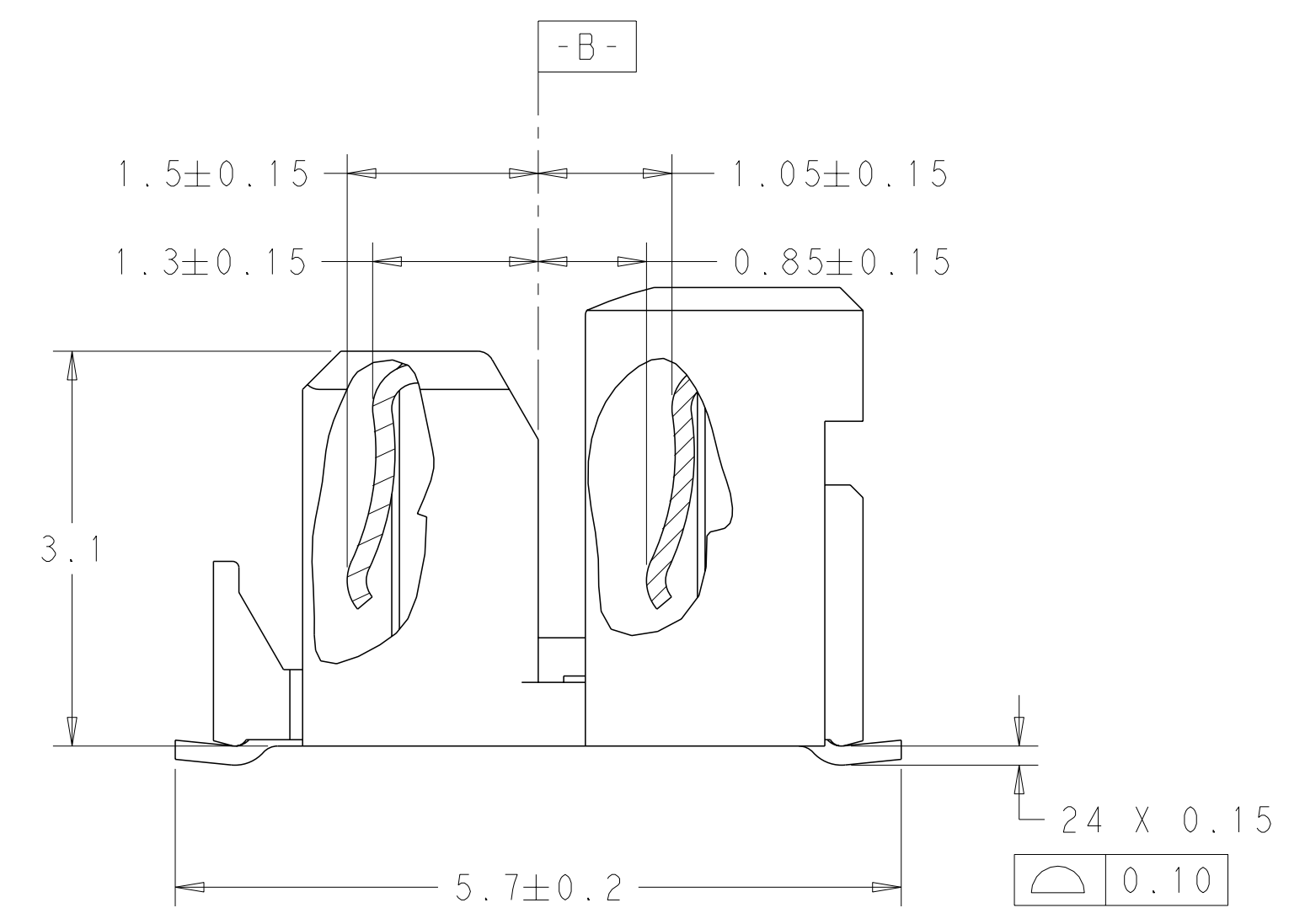
HOUSING: L.C.P (HIGH TEMP THERMO PLASTIC) UL 94V-0

CAP: L.C.P (HIGH TEMP THERMO PLASTIC) UL 94V-0

CONTACT: COPPER ALLOY

△ FINISH:

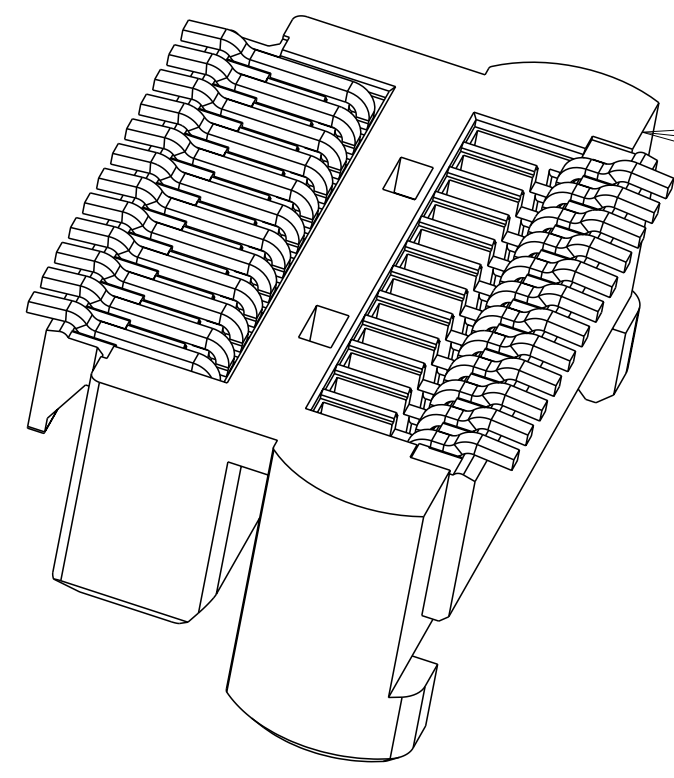
ENGAGEMENT AREA: 0.00038MM MIN GOLD
 SOLDERING AREA: 0.00005MM MIN GOLD
 UNDERCOAT: 0.00127MM MIN NICKEL ALL OVER



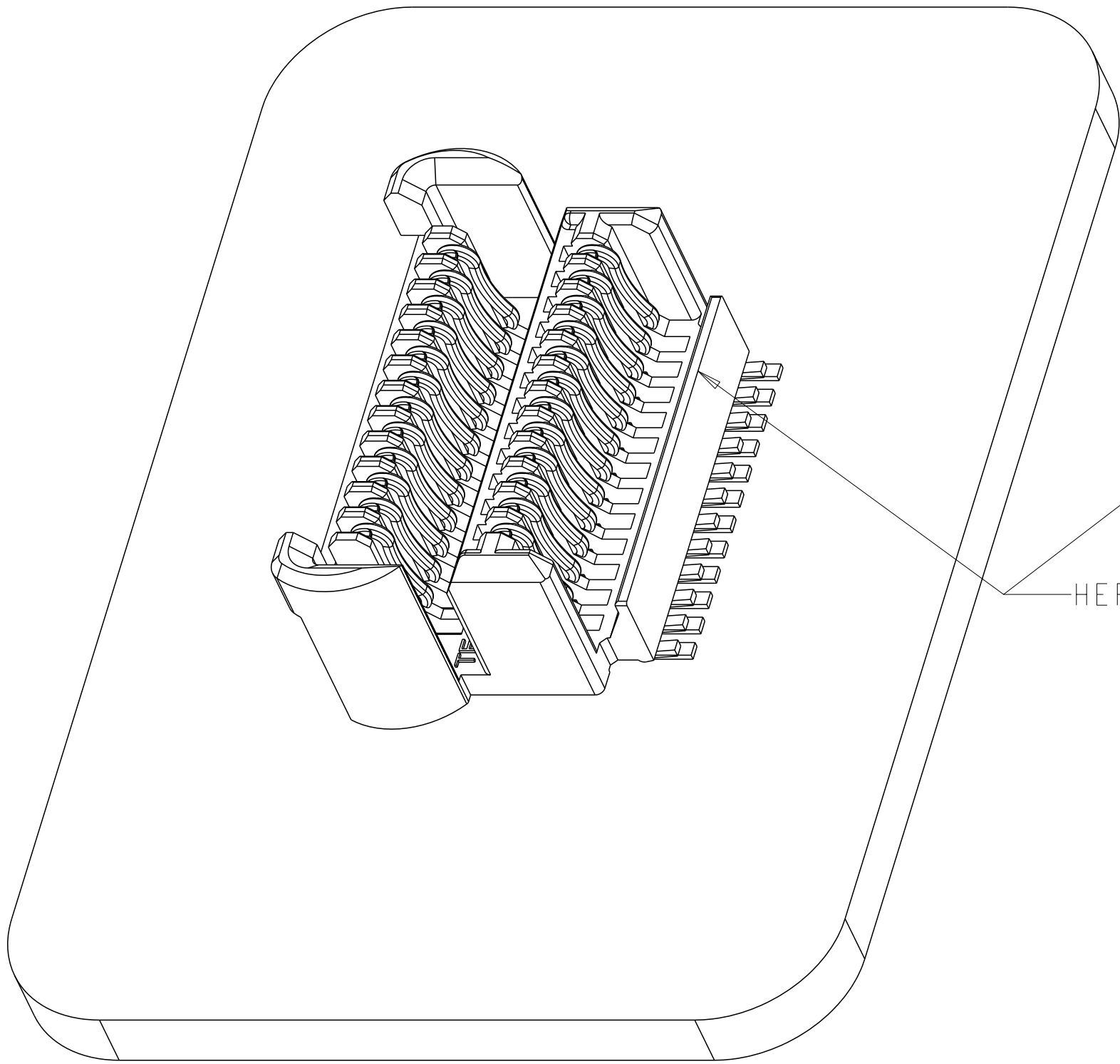
THIS DRAWING IS A CONTROLLED DOCUMENT.		DWN	29 JUL 2012	STE TE Connectivity	
DIMENSIONS: mm		CHK	29 JUL 2012		
TOLERANCES UNLESS OTHERWISE SPECIFIED:		APVD	29 JUL 2012		
0 PLC ± 1 PLC ±0.30 2 PLC ±0.10 3 PLC ± 4 PLC ± ANGLES ±1° FINISH		NAME	STEVEN YAO		
MATERIAL		PRODUCT SPEC	108-115057	NAME	0.5MM FINE STACKING BTB, 24 POS 4MM HEIGHT, EMBOSS, WITH CAP HERMAPHRODITIC TYPE CONNECTOR
SEE NOTE 1		APPLICATION SPEC	114-115008	SIZE	A2
SEE P/N TABLE		WEIGHT	0.167 G	CAGE CODE	00779
CUSTOMER DRAWING		RESTRICTED TO	/	DRAWING NO	C-2199070
		SCALE	11:1	SHEET	1 OF 5
		REV	A1		

THIS DRAWING IS UNPUBLISHED. RELEASED FOR PUBLICATION 20
 © COPYRIGHT 20 ALL RIGHTS RESERVED.

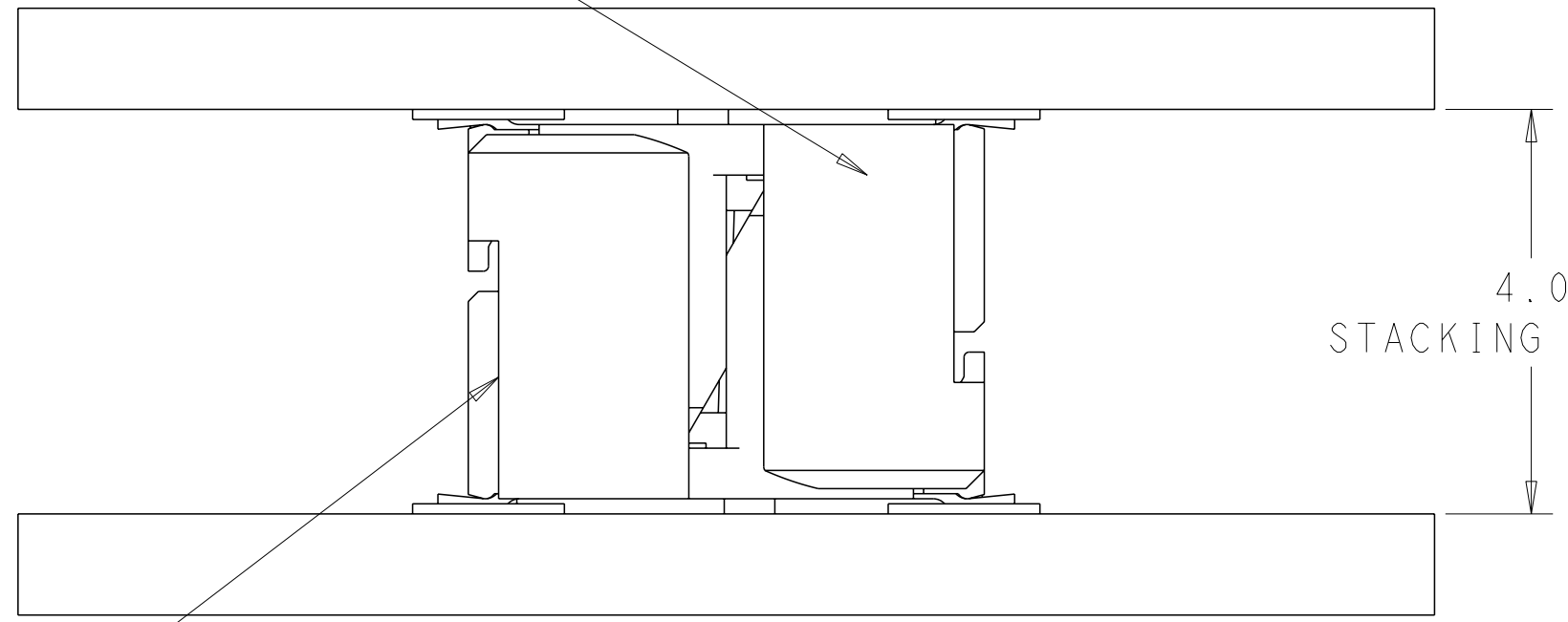
LOC		DIST		REVISIONS			
P	LTR	DESCRIPTION	DATE	DWN	APVD		
CN	-						



HERMAPHRODITIC CONNECTOR 1


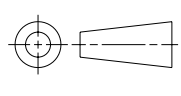


HERMAPHRODITIC CONNECTOR 2



4.0
STACKING HEIGHT

MATED WITH SAME CONNECTOR

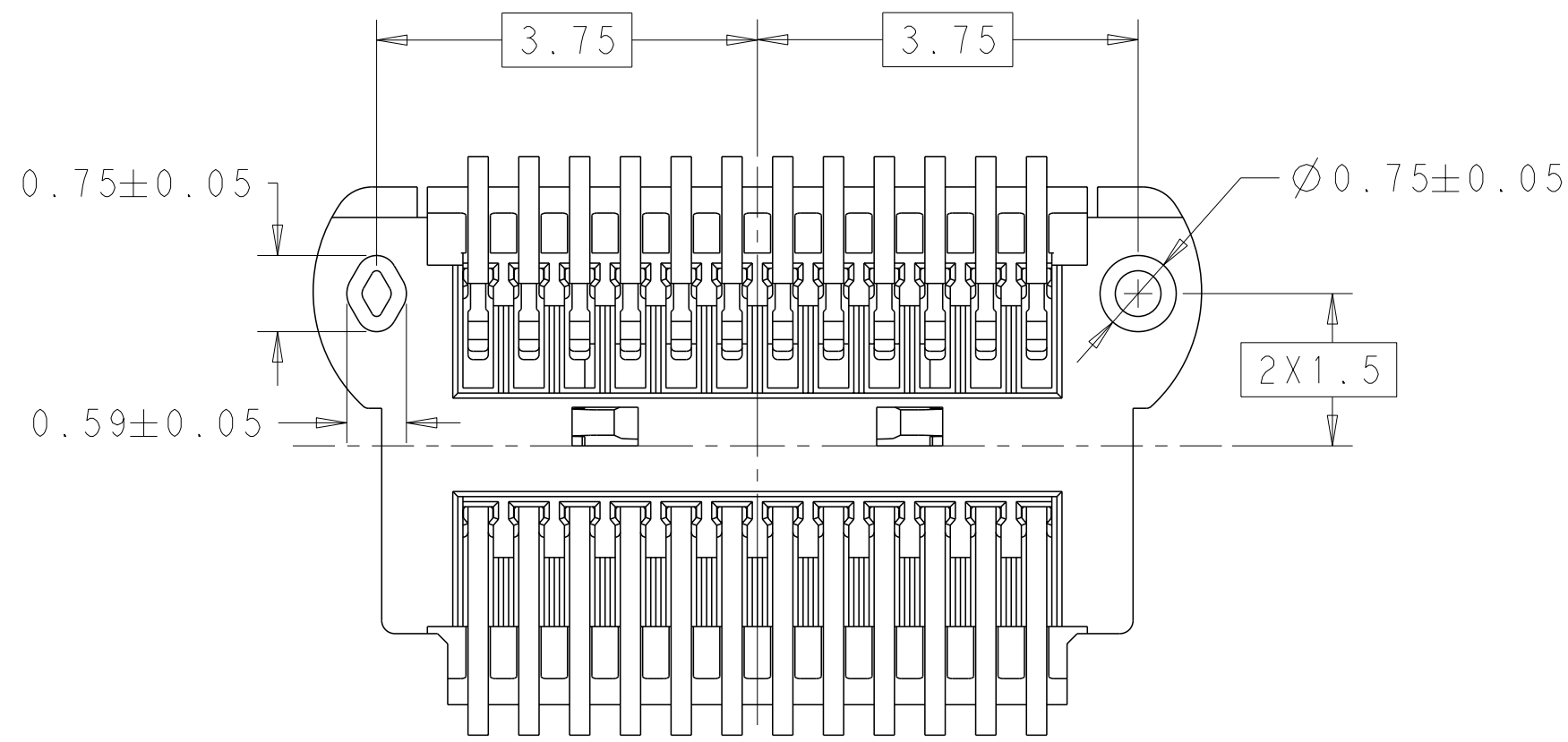
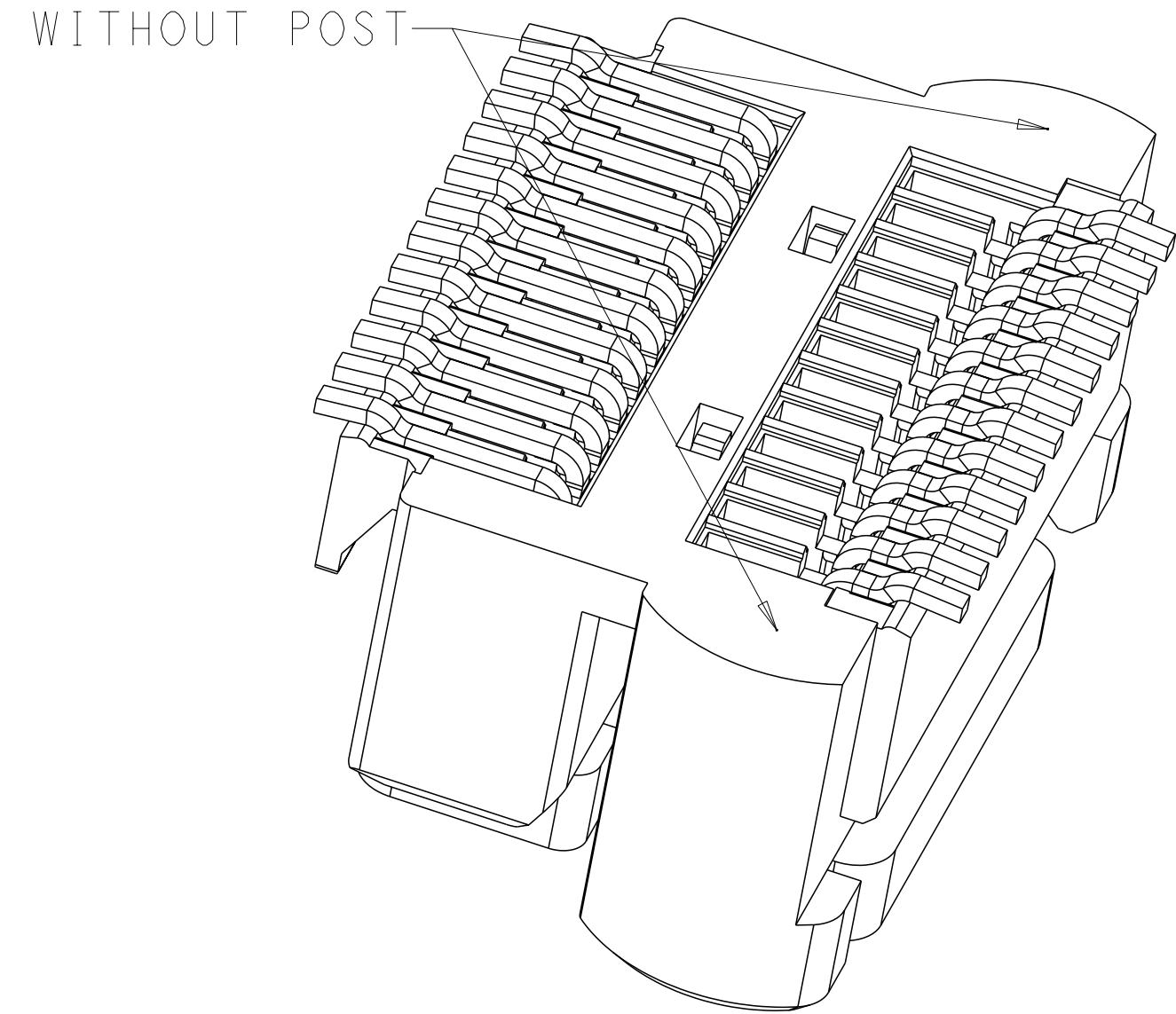
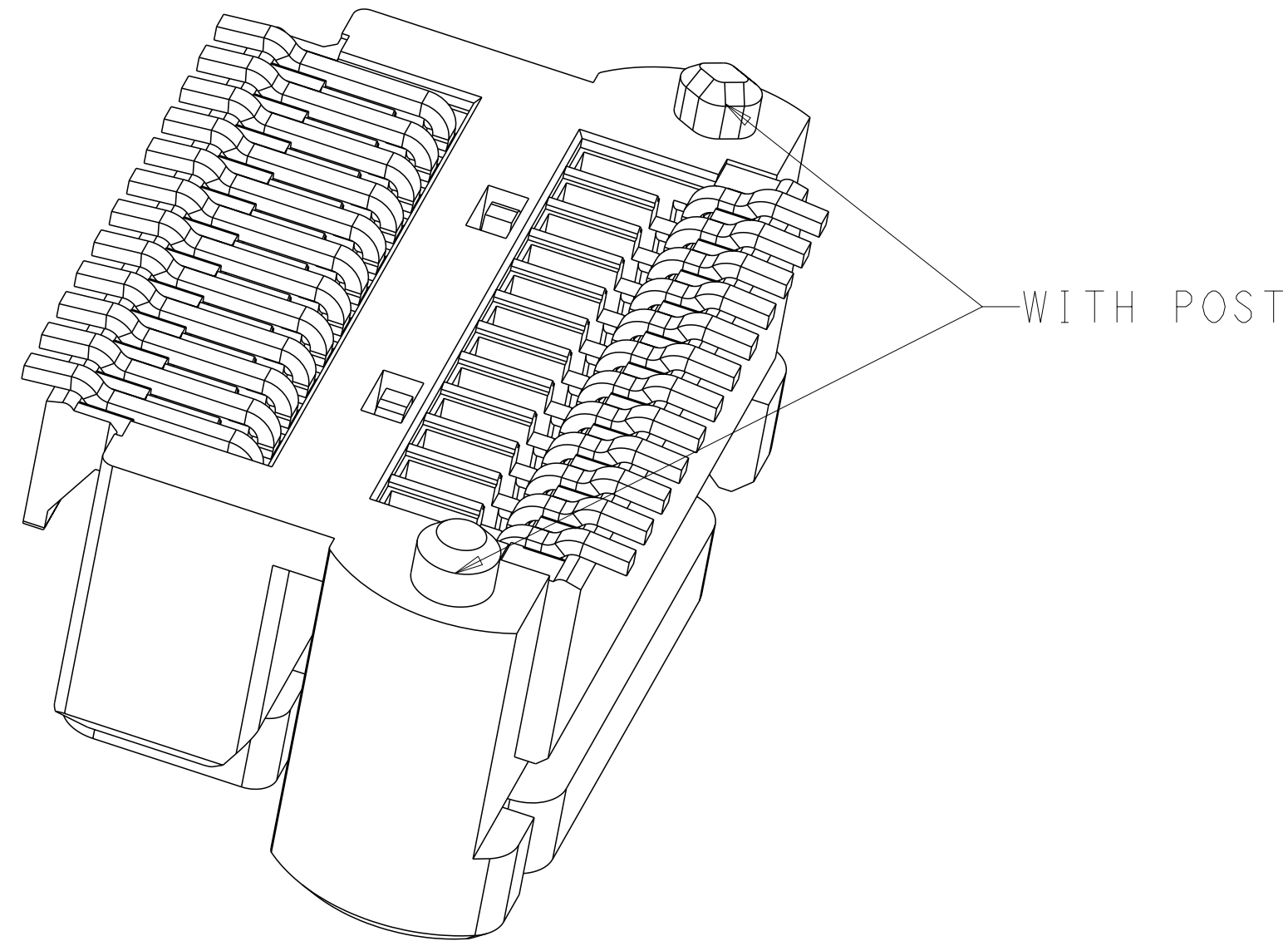
THIS DRAWING IS A CONTROLLED DOCUMENT.		DWN IVAN TIAN 29 JUL 2012	 TE Connectivity
DIMENSIONS: mm		CHK WENKE HE 29 JUL 2012	
		APVD STEVEN YAO 29 JUL 2012	
TOLERANCES UNLESS OTHERWISE SPECIFIED:		PRODUCT SPEC	NAME 0.5MM FINE STACKING BTB, 24 POS 4MM HEIGHT, EMBOSS, WITH CAP HERMAPHRODITIC TYPE CONNECTOR
0 PLC ±-		APPLICATION SPEC	SIZE A200779
1 PLC ±0.3		WEIGHT	CAGE CODE C-2199070
2 PLC ±0.10		CUSTOMER DRAWING	DRAWING NO -
3 PLC ±-		SCALE 11:1	RESTRICTED TO -
4 PLC ±-		SCALE 11:1	SHEET 2
ANGLES ±1°		SCALE 11:1	OF 5
FINISH		SCALE 11:1	REV A1

THIS DRAWING IS UNPUBLISHED. RELEASED FOR PUBLICATION 20
 © COPYRIGHT 20 ALL RIGHTS RESERVED.

LOC		DIST		REVISIONS			
P	LTR	DESCRIPTION	DATE	DWN	APVD		
CN	-						

1-2199070-4 AS SHOW

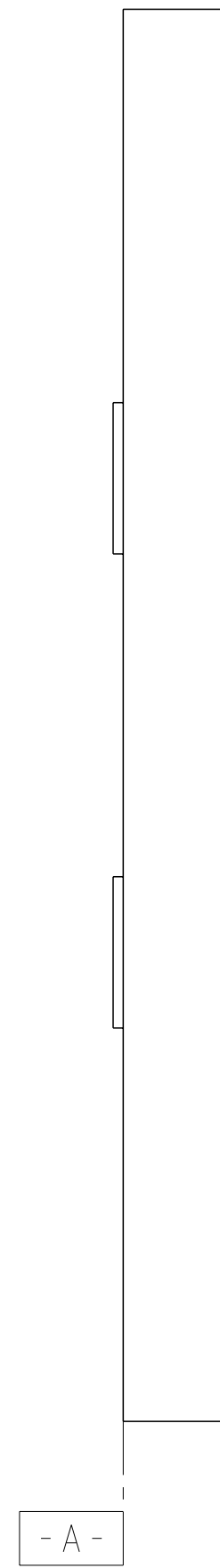
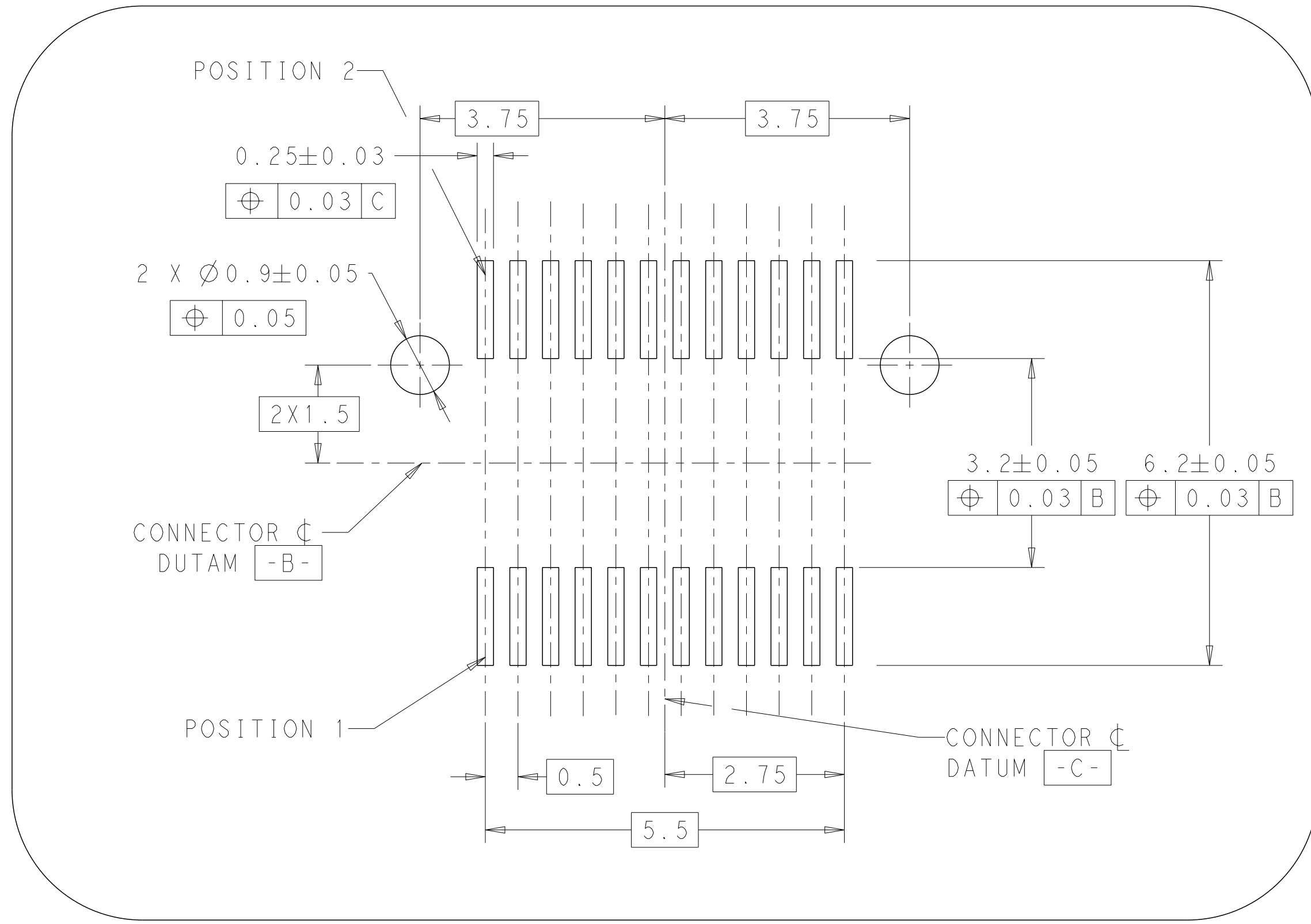
2199070-4 AS SHOW



THIS DRAWING IS A CONTROLLED DOCUMENT.		DWN	29 JUL 2012	STE TE Connectivity	NAME 0.5MM FINE STACKING BTB, 24 POS 4MM HEIGHT, EMBOSS, WITH CAP HERMAPHRODITIC TYPE CONNECTOR
DIMENSIONS:		CHK	29 JUL 2012		
mm		APVD	29 JUL 2012		
TOLERANCES UNLESS OTHERWISE SPECIFIED:		PRODUCT SPEC	108-115057		
0 PLC ±-		APPLICATION SPEC	114-115008	SIZE	CAGE CODE
1 PLC ±0.30		WEIGHT	0.167 G	A200779	C-2199070
2 PLC ±0.10		CUSTOMER DRAWING		SCALE	11:1
3 PLC ±-				SHEET	3 OF 5
4 PLC ±-				REV	A1
ANGLES ±1°					
FINISH					
MATERIAL					
SEE NOTE 1					
SEE P/N TABLE					

THIS DRAWING IS UNPUBLISHED. RELEASED FOR PUBLICATION 20
 © COPYRIGHT 20 ALL RIGHTS RESERVED.

LOC		DIST		REVISIONS			
P	LTR	DESCRIPTION	DATE	DWN	APVD		
CN	-						

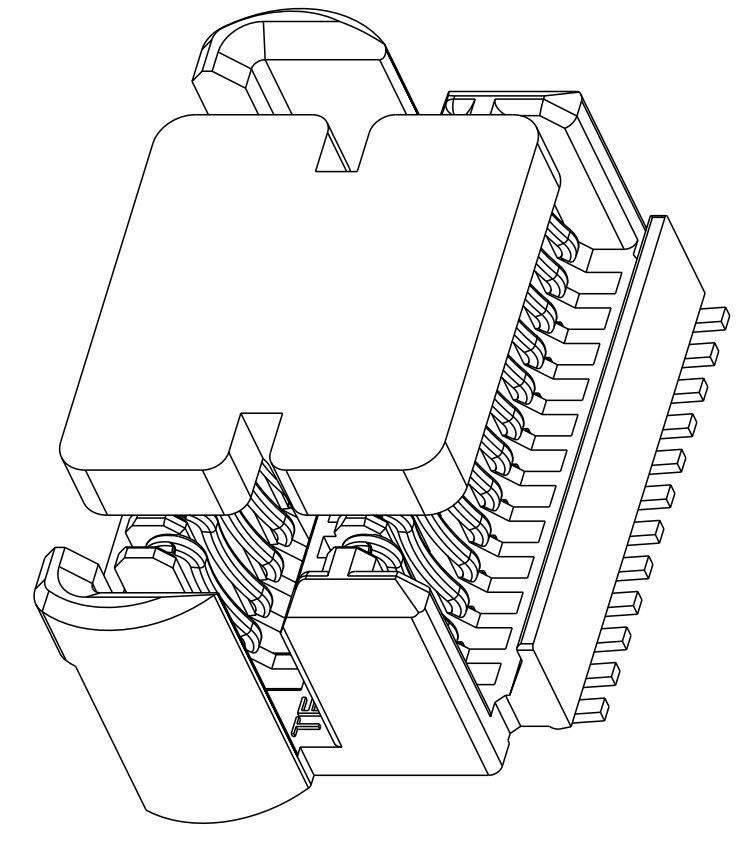
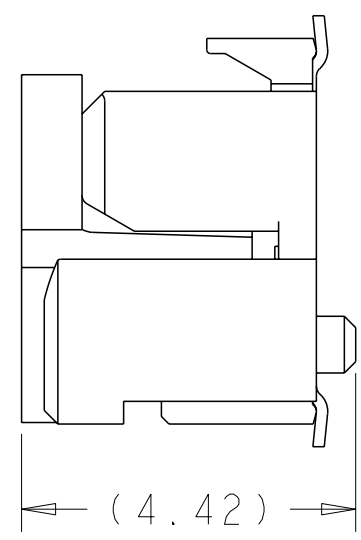
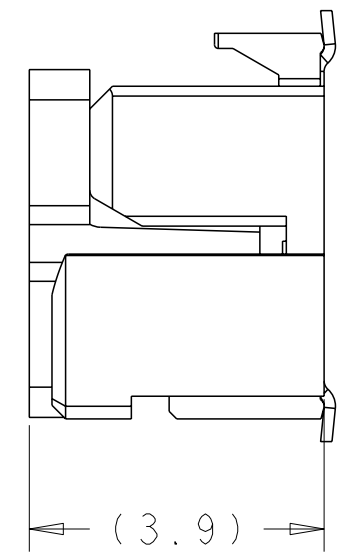
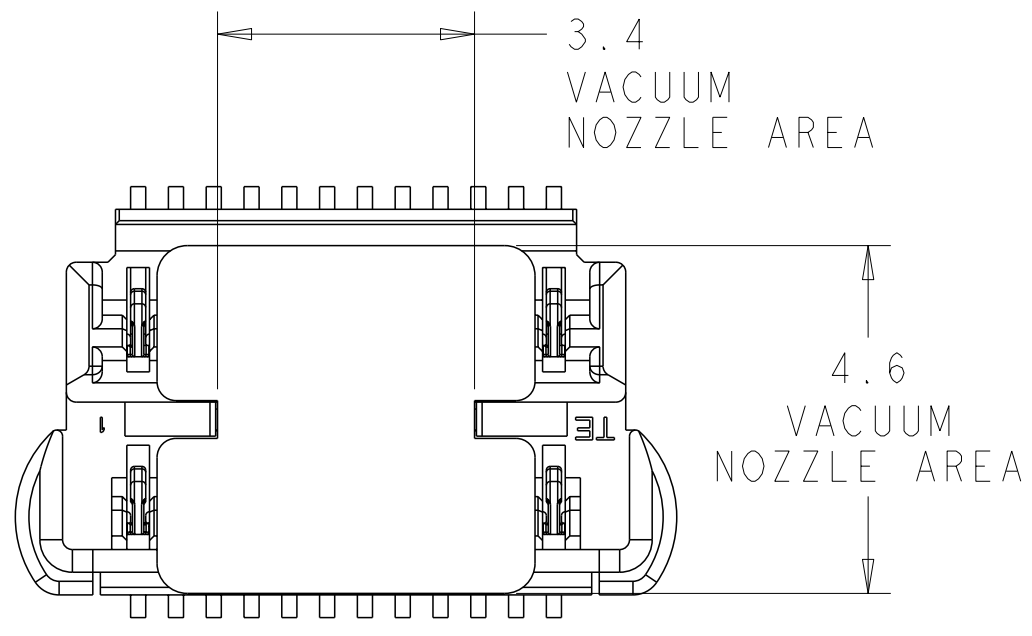
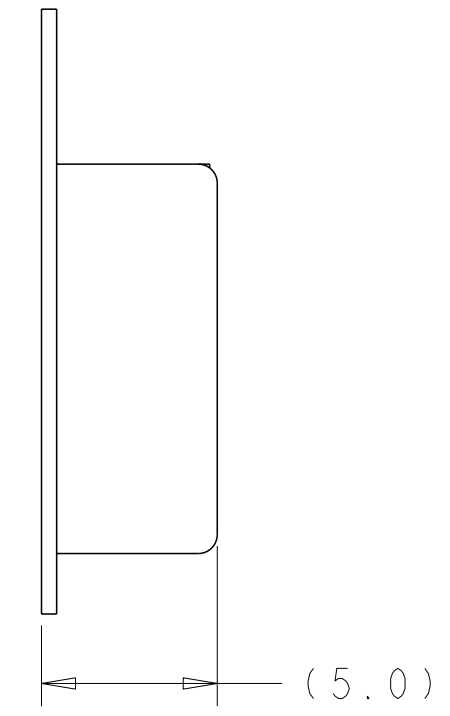
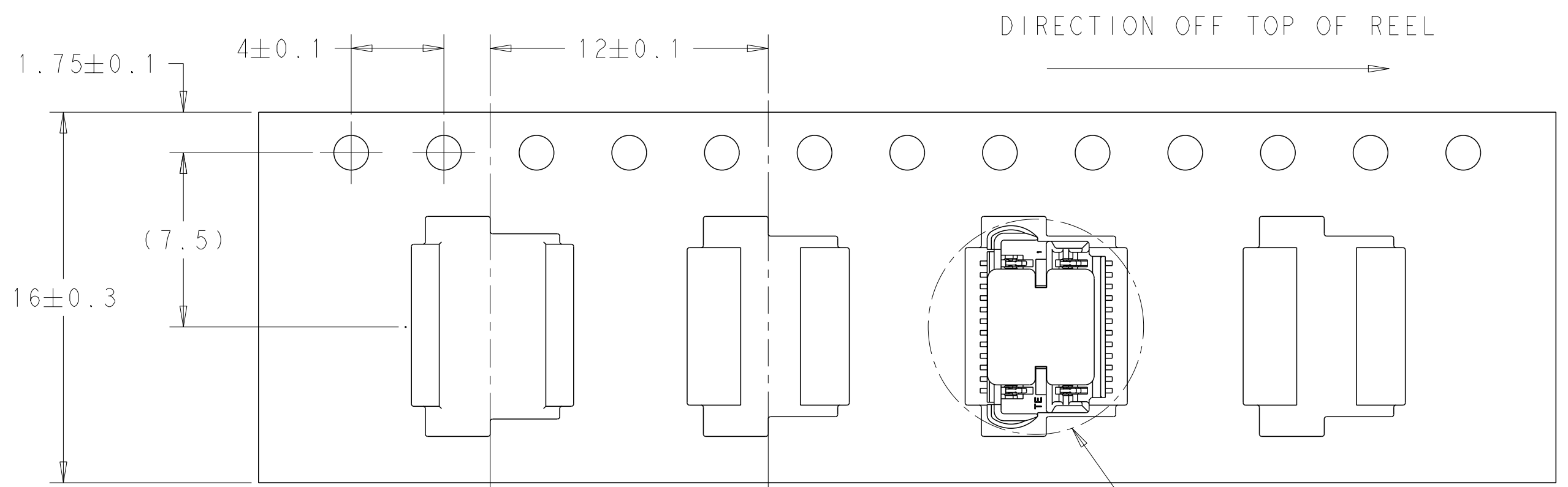


RECOMMENDED FOOTPRINT

THIS DRAWING IS A CONTROLLED DOCUMENT.		DWN	29 JUL 2012	 TE Connectivity	NAME		0.5MM FINE STACKING BTB, 24POS 4MM HEIGHT, EMBOSS, WITH CAP HERMAPHRODITIC TYPE CONNECTOR		
DIMENSIONS:		CHK	29 JUL 2012		SIZE			A200779	
mm		APVD	29 JUL 2012		CAGE CODE				C-2199070
		PRODUCT SPEC			DRAWING NO				
TOLERANCES UNLESS OTHERWISE SPECIFIED:		APPLICATION SPEC		SCALE		11:1			
0 PLC ±-		WEIGHT		SHEET			4 OF 5		
1 PLC ±0.3		CUSTOMER DRAWING		REV				A1	
2 PLC ±0.10									
3 PLC ±-									
4 PLC ±-									
ANGLES ±1°									
FINISH									

THIS DRAWING IS UNPUBLISHED. RELEASED FOR PUBLICATION 20
 © COPYRIGHT 20 ALL RIGHTS RESERVED.

LOC		DIST		REVISIONS			
P	LTR	DESCRIPTION	DATE	DWN	APVD		
CN	-						

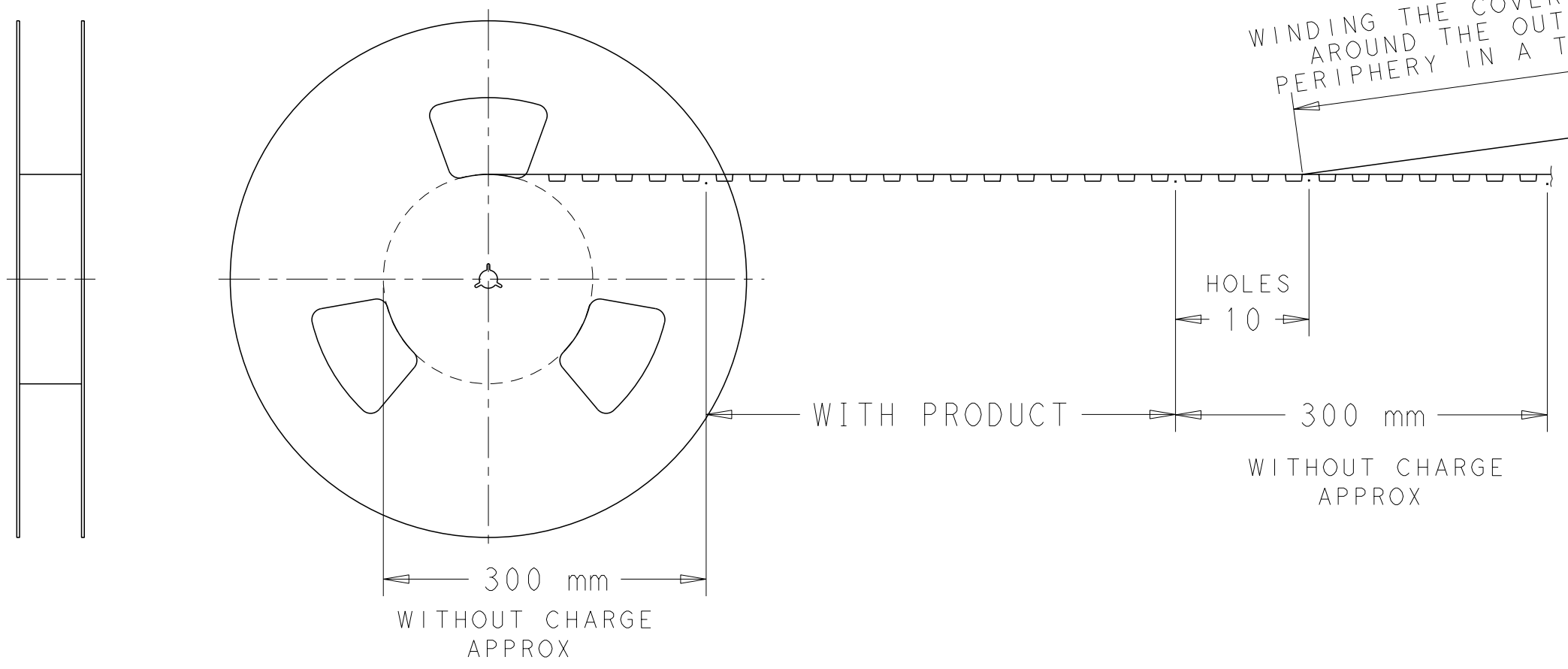


DETAIL CONNECTOR

WITHOUT POST

WITH POST

WINDING THE COVER TAPE AROUND THE OUTER PERIPHERY IN A TURN.



NATURAL	NATURAL	WITH	△2	1100	24	1-2199070-4
NATURAL	NATURAL	WITHOUT	△2	1100	24	2199070-4
CAP COLOR	HSG COLOR	LOCATION POST	FINISH	QTY/R	POS	P/N

THIS DRAWING IS A CONTROLLED DOCUMENT.

DIMENSIONS: mm	TOLERANCES UNLESS OTHERWISE SPECIFIED:	DWN: IVAN TIAN 29 JUL 2012	TE Connectivity
	0 PLC ±- 1 PLC ±0.3 2 PLC ±0.10 3 PLC ±- 4 PLC ±- ANGLES ±1° FINISH	CHK: WENKE HE 29 JUL 2012 APVD: STEVEN YAO PRODUCT SPEC APPLICATION SPEC WEIGHT CUSTOMER DRAWING	
		NAME: 0.5MM FINE STACKING BTB, 24POS 4MM HEIGHT, EMBOSS, WITH CAP HERMAPHRODITIC TYPE CONNECTOR SIZE: A2 CAGE CODE: 00779 DRAWING NO: C-2199070 RESTRICTED TO: - SCALE: 11:1 SHEET 5 OF 5 REV A1	

X-ON Electronics

Largest Supplier of Electrical and Electronic Components

Click to view similar products for [Board to Board & Mezzanine Connectors](#) category:

Click to view products by [TE Connectivity](#) manufacturer:

Other Similar products are found below :

[589158040000018](#) [MDF7C-18P-2.54DSA\(55\)](#) [FCN-230C068-11](#) [FCN-268F012-G/BD](#) [FCN-268F036-G/BD](#) [FCN-268M012-G/0D](#) [FCN-268M024-G/1D](#) [FCN-723J004/1](#) [MIS-048-01-F-D-DP-K](#) [832-10-034-10-001000](#) [FX4C-80S-1.27DSA](#) [FCN-214Q030-G/0](#) [FCN-234P048-G/0](#) [FCN-235D050-G/C](#) [210-93-314-41-105000](#) [2-22603-0](#) [MDF7-40DP-2.54DSA\(55\)](#) [AXG720047](#) [5031084030](#) [MIT-114-03-F-D-K](#) [55323-1519](#) [DF33-2P-3.3DSA\(24\)](#) [YFT-20-05-H-03-SB-K](#) [503308-3040](#) [026-6203-PDB](#) [027-6203-PDB](#) [069159702701000](#) [10123981-102LF](#) [101A10019X](#) [55650-0588-C](#) [68684-306](#) [75140-7012](#) [589159005003045](#) [194261-1](#) [FCN-268F024-G0D](#) [10124054-515LF](#) [68685-603](#) [8-1616154-3](#) [MIS-019-01-F-D](#) [589159005002045](#) [541371078](#) [IL-WX-10PB-HF-B-E1000E](#) [FCN-268M024-G/3D](#) [20021832-06016C1LF](#) [KX15-20KLDL-E1000E](#) [MDF7-16DP-2.54DSA\(55\)](#) [AXE810124](#) [FCN-214J100-G/0](#) [FCN-230C068-E/S](#) [AXE812124](#)