

THIS DRAWING IS UNPUBLISHED.

RELEASED FOR PUBLICATION

20

LOC
ES

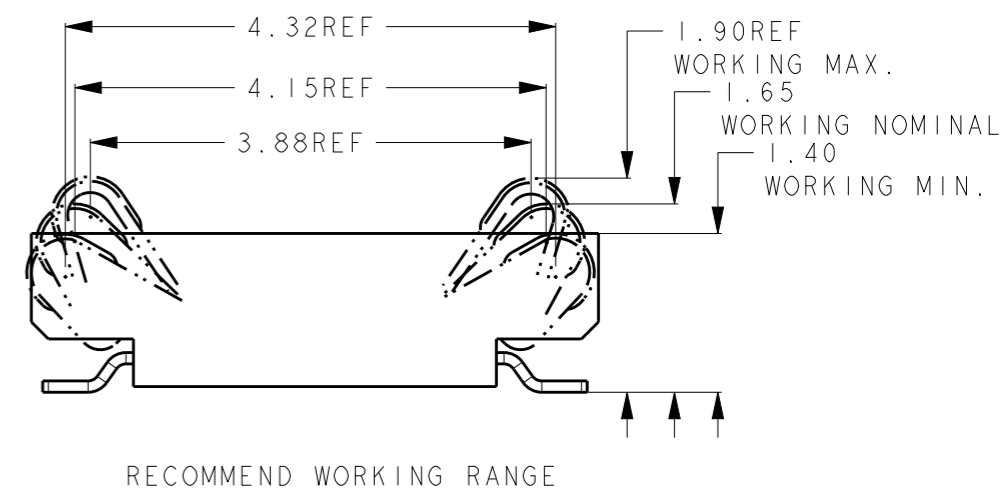
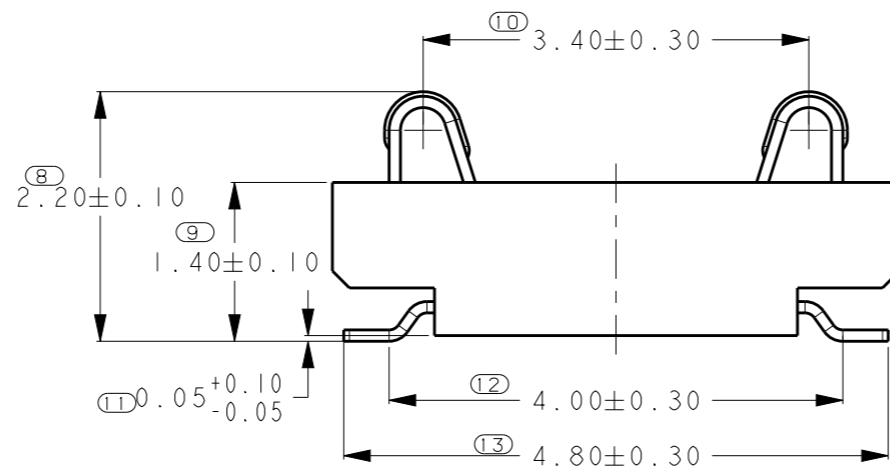
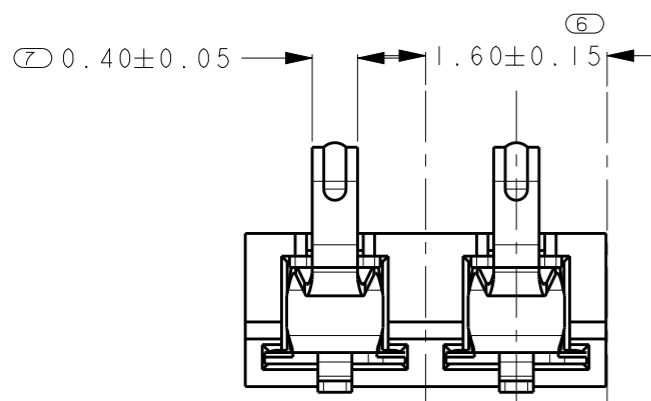
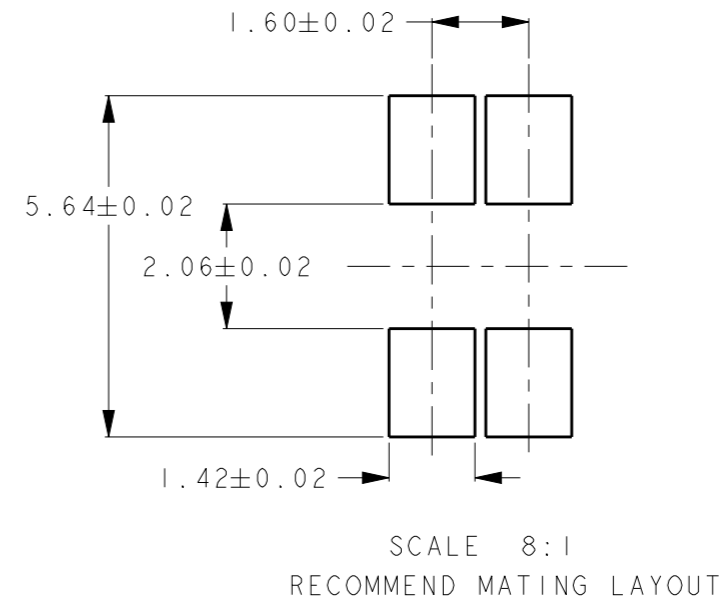
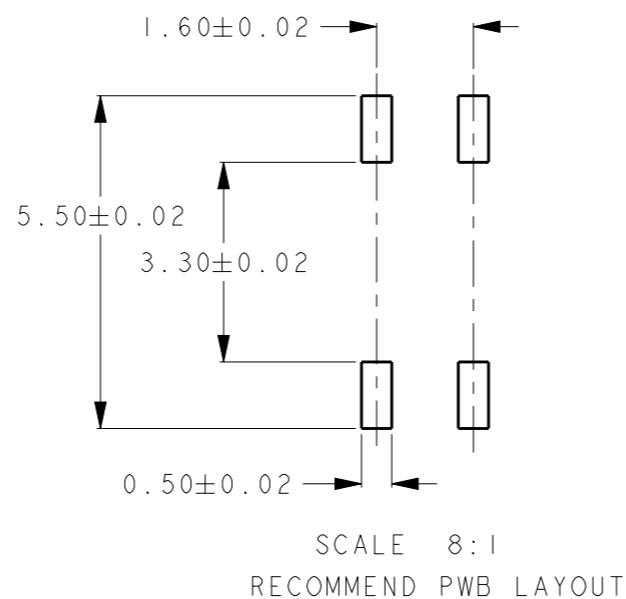
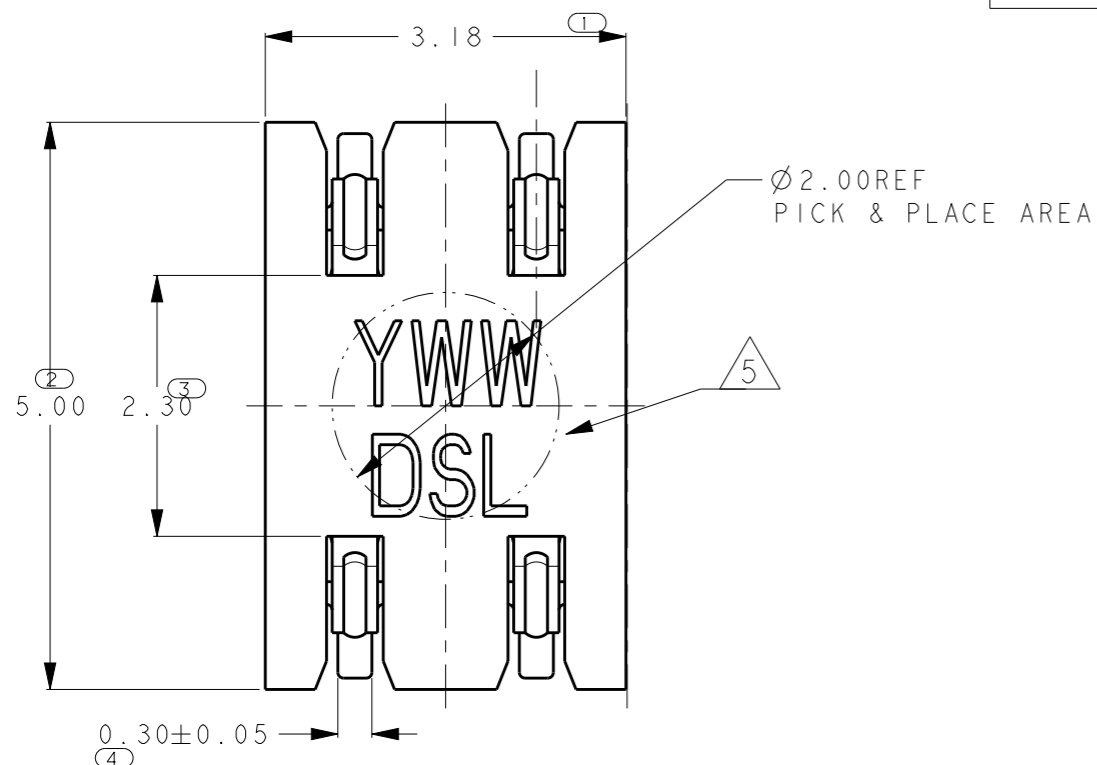
DIST

REVISIONS

© COPYRIGHT 20 ALL RIGHTS RESERVED.

P	LTR	DESCRIPTION	DATE	DWN	APVD
	4	REVISED	15OCT2013	R.W	W.H

AS SHOWN: 2199075-2



- NOTES:
- 1 MATERIAL
TERMINAL : COPPER ALLOY, THICKNESS 0.10mm.
HOUSING : HIGH TEMPERATURE THERMO PLASTIC
UL94V-0 BLACK
 - 2 FINISH
TERMINAL : 0.10-0.2 um GOLD PLATING ON CONTACT AREA,
1.25 um MIN. NICKLE UNDER PLATING,
GOLD FLASH PLATING ON SOLDERING AREA.
 - 3 COPLANARITY : 0.08 MAX. AMANG ALL SOLDER TAILS.
 - 4 PACKAGING : TAPE & REEL.
 - 5 DATE CODE : "YWWDSL"
YWW = PRODUCTION DATE (YEAR, WEEK, DAY).
S = SHIFT (D=DYA, N=NIGHT); L = LINE NUMBER.

THIS DRAWING IS A CONTROLLED DOCUMENT.	
DIMENSIONS: mm	TOLERANCES UNLESS OTHERWISE SPECIFIED: ±0.20
	0 PLC ±
	1 PLC ±
	2 PLC ±
	3 PLC ±
	4 PLC ±
	ANGLES ±5°
MATERIAL	FINISH

DWN	02APR2013
RAY WANG	
CHK	02APR2013
WENKE HE	
APVD	STEVEN YAO
PRODUCT SPEC	108-115039
APPLICATION SPEC	-
WEIGHT	-g
CUSTOMER DRAWING	

TE Connectivity		NAME	
		ONE PIECE BtoB CONNECTOR 4 PINS, 1.6MM PITCH, H1.65, TWO ROWS	
SIZE	CAGE CODE	DRAWING NO	RESTRICTED TO
A300779	G-2199075		-
SCALE 20:1		SHEET 1 OF 2	REV 4

4

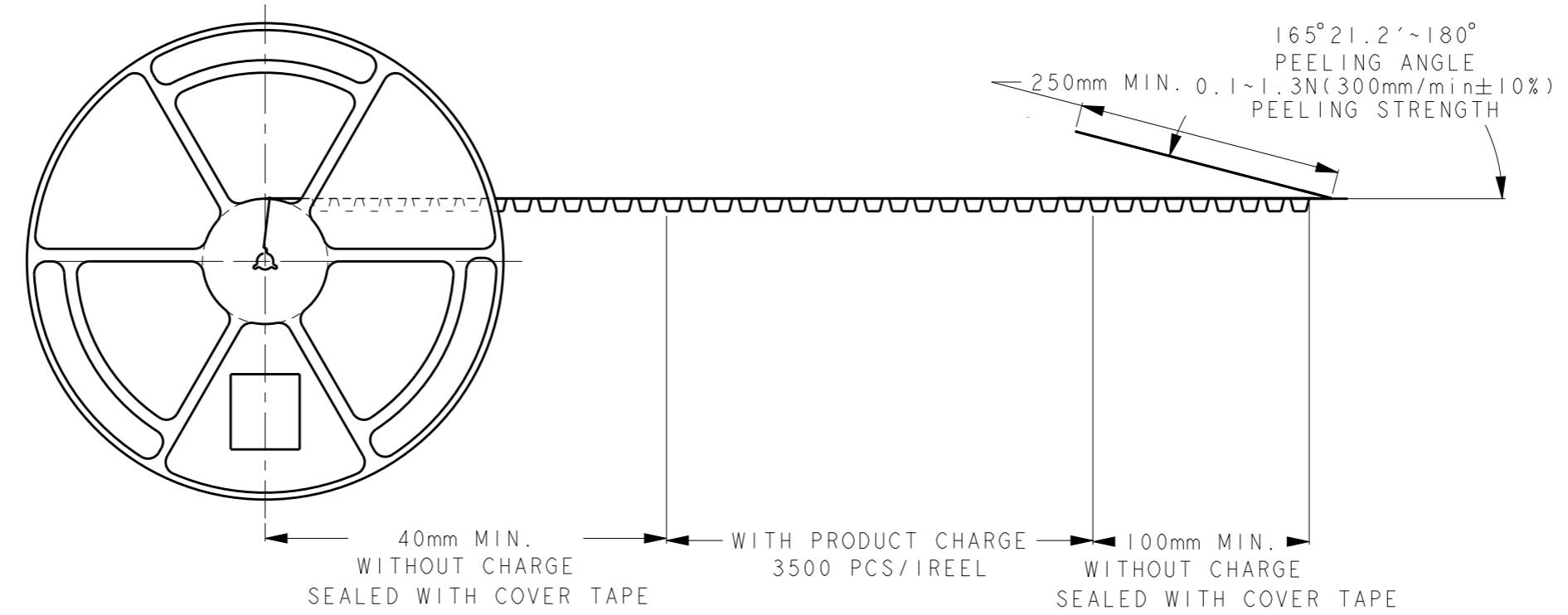
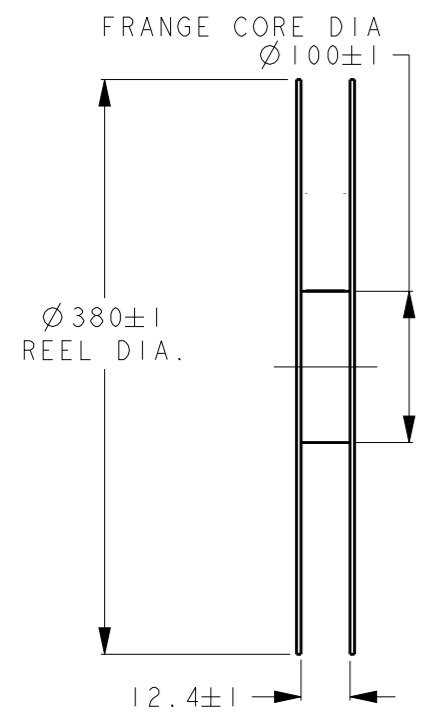
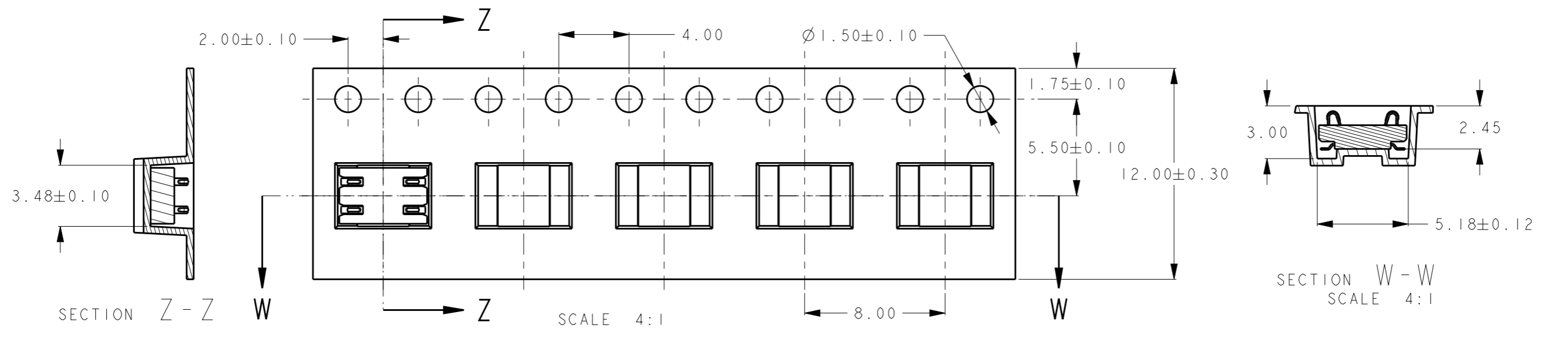
3

2

1

THIS DRAWING IS UNPUBLISHED. RELEASED FOR PUBLICATION 20
 © COPYRIGHT 20 ALL RIGHTS RESERVED.

LOC	DIST	REVISIONS			
P	LTR	DESCRIPTION	DATE	DWN	APVD
ES		SEE SHEET 1	-	-	-



NOTES:
 1. MATERIAL: P.S CLEAR, 0.4MM THICKNESS.
 2. QUANTITY PER REEL: 3500 PIECES.

THIS DRAWING IS A CONTROLLED DOCUMENT.		DWN	02APR2013	STE TE Connectivity
		CHK	02APR2013	
		APVD	02APR2013	
DIMENSIONS: mm		STEVEN YAO		NAME
TOLERANCES UNLESS OTHERWISE SPECIFIED: ±0.20		PRODUCT SPEC		ONE PIECE BtoB CONNECTOR
0-PLC ±		108-115039		4 PINS, 1.6MM PITCH, HI.65 TWO ROWS
1-PLC ±		APPLICATION SPEC		SIZE
2-PLC ±		-		CAGE CODE
3-PLC ±		WEIGHT		DRAWING NO
4-PLC ±		-		A300779
ANGLES ±5°		CUSTOMER DRAWING		©-2199075
FINISH		SCALE 20:1		RESTRICTED TO
-		SHEET 2 OF 2		-
-		REV 4		

X-ON Electronics

Largest Supplier of Electrical and Electronic Components

Click to view similar products for [Board to Board & Mezzanine Connectors](#) category:

Click to view products by [TE Connectivity](#) manufacturer:

Other Similar products are found below :

[589158040000018](#) [MDF7C-18P-2.54DSA\(55\)](#) [FCN-230C068-11](#) [FCN-268F012-G/BD](#) [FCN-268F036-G/BD](#) [FCN-268M012-G/0D](#) [FCN-268M024-G/1D](#) [FCN-723J004/1](#) [MIS-048-01-F-D-DP-K](#) [832-10-034-10-001000](#) [FX4C-80S-1.27DSA](#) [FCN-214Q030-G/0](#) [FCN-234P048-G/0](#) [FCN-235D050-G/C](#) [210-93-314-41-105000](#) [2-22603-0](#) [MDF7-40DP-2.54DSA\(55\)](#) [AXG720047](#) [5031084030](#) [MIT-114-03-F-D-K](#) [55323-1519](#) [DF33-2P-3.3DSA\(24\)](#) [YFT-20-05-H-03-SB-K](#) [503308-3040](#) [026-6203-PDB](#) [027-6203-PDB](#) [069159702701000](#) [10123981-102LF](#) [101A10019X](#) [55650-0588-C](#) [68684-306](#) [75140-7012](#) [589159005003045](#) [194261-1](#) [FCN-268F024-G0D](#) [10124054-515LF](#) [68685-603](#) [8-1616154-3](#) [MIS-019-01-F-D](#) [589159005002045](#) [541371078](#) [IL-WX-10PB-HF-B-E1000E](#) [FCN-268M024-G/3D](#) [20021832-06016C1LF](#) [KX15-20KLDL-E1000E](#) [MDF7-16DP-2.54DSA\(55\)](#) [AXE810124](#) [FCN-214J100-G/0](#) [FCN-230C068-E/S](#) [AXE812124](#)