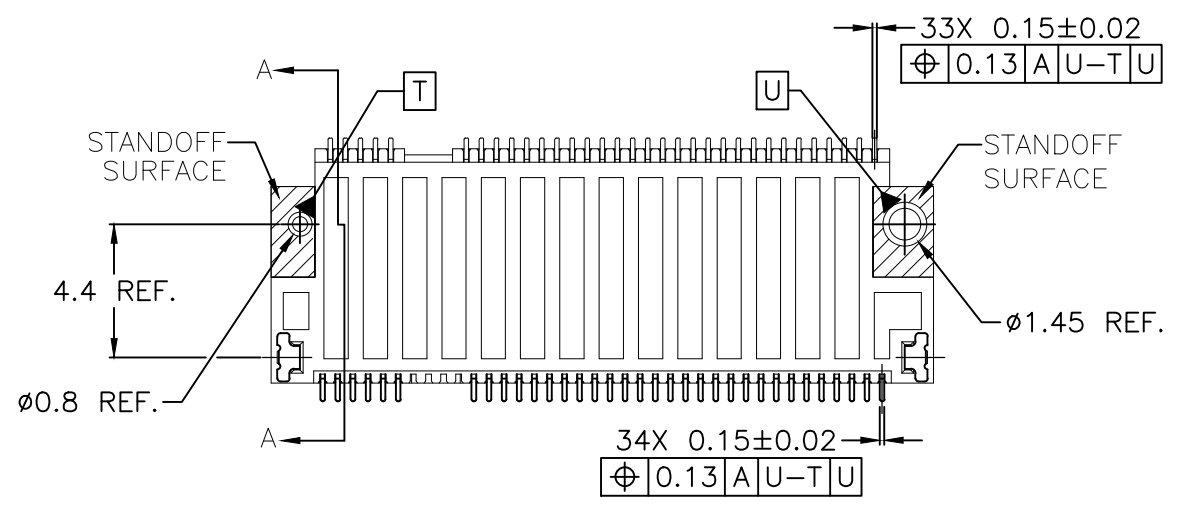
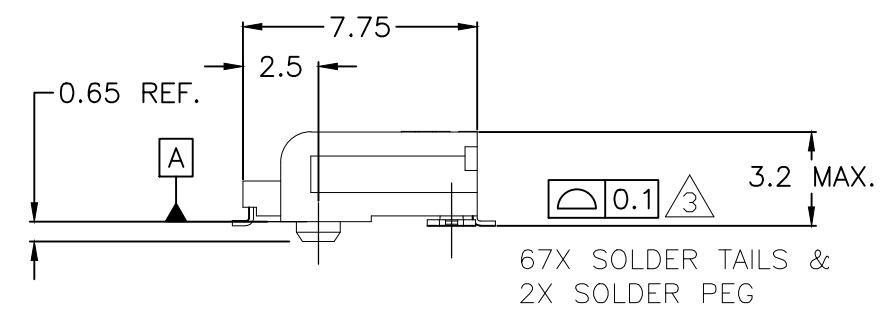
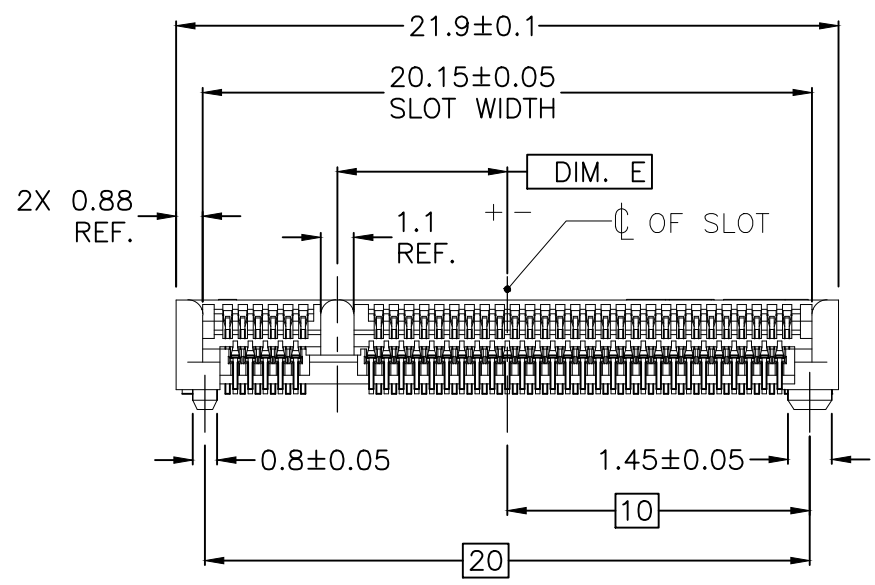
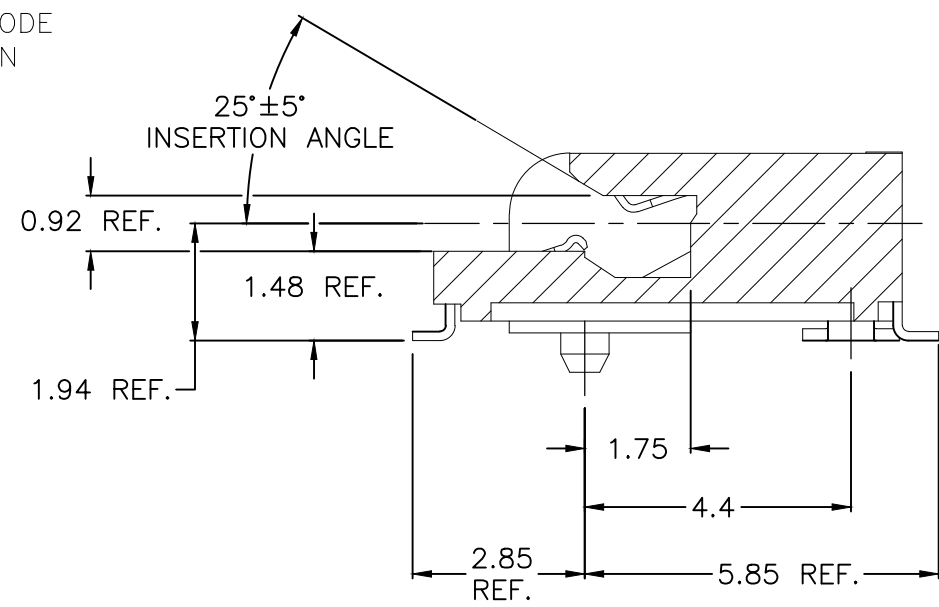
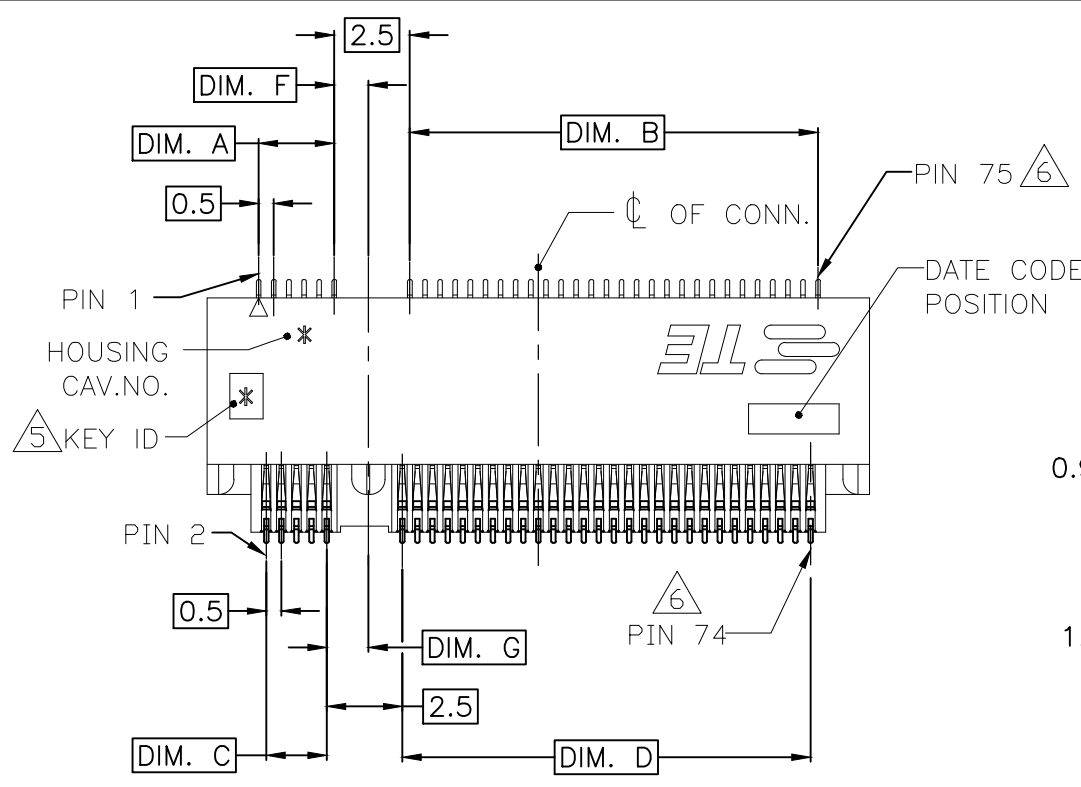


THIS DRAWING IS UNPUBLISHED. RELEASED FOR PUBLICATION
 © COPYRIGHT - By - ALL RIGHTS RESERVED.

REVISIONS				
P	LTR	DESCRIPTION	DATE	APVD
	F	ECR-19-011878	19MAR2020	EZ WH



- NOTES:
- MATERIAL:
 - HOUSING : HIGH TEMPERATURE THERMOPLASTIC UL94V-0, COLOR: BLACK.
 - CONTACT: COPPER ALLOY.
 - SOLDER PEG: STAINLESS STEEL.
 - FINISH:
 - CONTACT: UNDERCOAT NICKEL 50u" min. ALL OVER; MATING AREA: GOLD PLATING, THE THICKNESS SEE TABLE LIST; SOLDERABLE AREA: GOLDFLASH.
 - SOLDER PEG: UNDERCOAT: NICKEL 50u" min. ALL OVER SOLDERABLE AREA: MATTE TIN 100u" min.
 - COPLANARITY: 0.10mm MAX.(BEFORE SOLDERING).
 - ACCEPTED MODULE BASED ON INDUSTRY STD.
 - KEY ID, "*" IS A CAPITAL LETTER PER THE PART NO.
 - THE PIN NO. DEFINITIONS ARE ACCORDING TO PCB FOOTPRINT, THE ACTUAL PIN QUANTITY IS ONLY 67 POS. FOR KEY TAKING OUT 8 POS.
 - THE PRODUCT IS RoHS COMPLIANT, BR 900PPM MAX., CL 900PPM MAX. BR+CL 1500 PPM MAX.
 - MINUS MEANS \varnothing OF KEY IS ON THE RIGHT SIDE OF CONN. \varnothing IN PAGE 1.

THIS DRAWING IS A CONTROLLED DOCUMENT.		DWN SIMON WU 90CT2012	TE Connectivity		
DIMENSIONS: mm		CHK SIMON LI 90CT2012			
TOLERANCES UNLESS OTHERWISE SPECIFIED:		APVD COREL WANG 90CT2012	NAME		
0 PLC ± 0.30 1 PLC ± 0.30 2 PLC ± 0.20 3 PLC ± 0.10 4 PLC ANGLES ± - ± 3°		PRODUCT SPEC	M.2(NGFF)MINI CARD MOUNTING TYPE		
MATERIAL -		APPLICATION SPEC	0.50mm PITCH 67 POS 3.2mm H		
FINISH -		114-115006	DOUBLE SIDED MODULE		
		WEIGHT 0.51 G	SIZE A3	CAGE CODE 00779	DRAWING NO C-2199119
		CUSTOMER DRAWING	RESTRICTED TO -	SCALE 4:1	SHEET 1 OF 5
				REV F	

THIS DRAWING IS UNPUBLISHED.

RELEASED FOR PUBLICATION


REVISIONS

© COPYRIGHT - By - ALL RIGHTS RESERVED.

P	LTR	DESCRIPTION	DATE	DWN	APVD
-	-	SEE SHEET 1	-	-	-

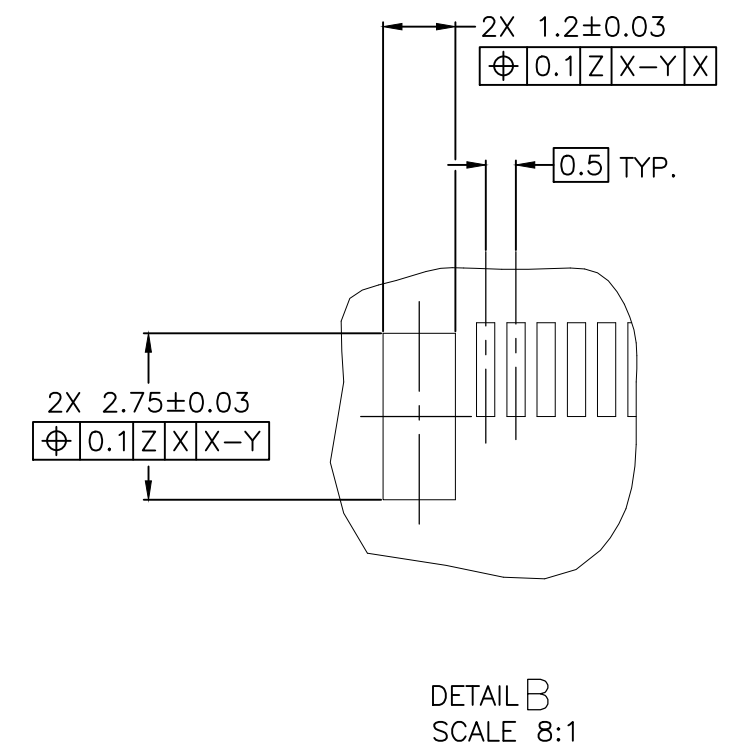
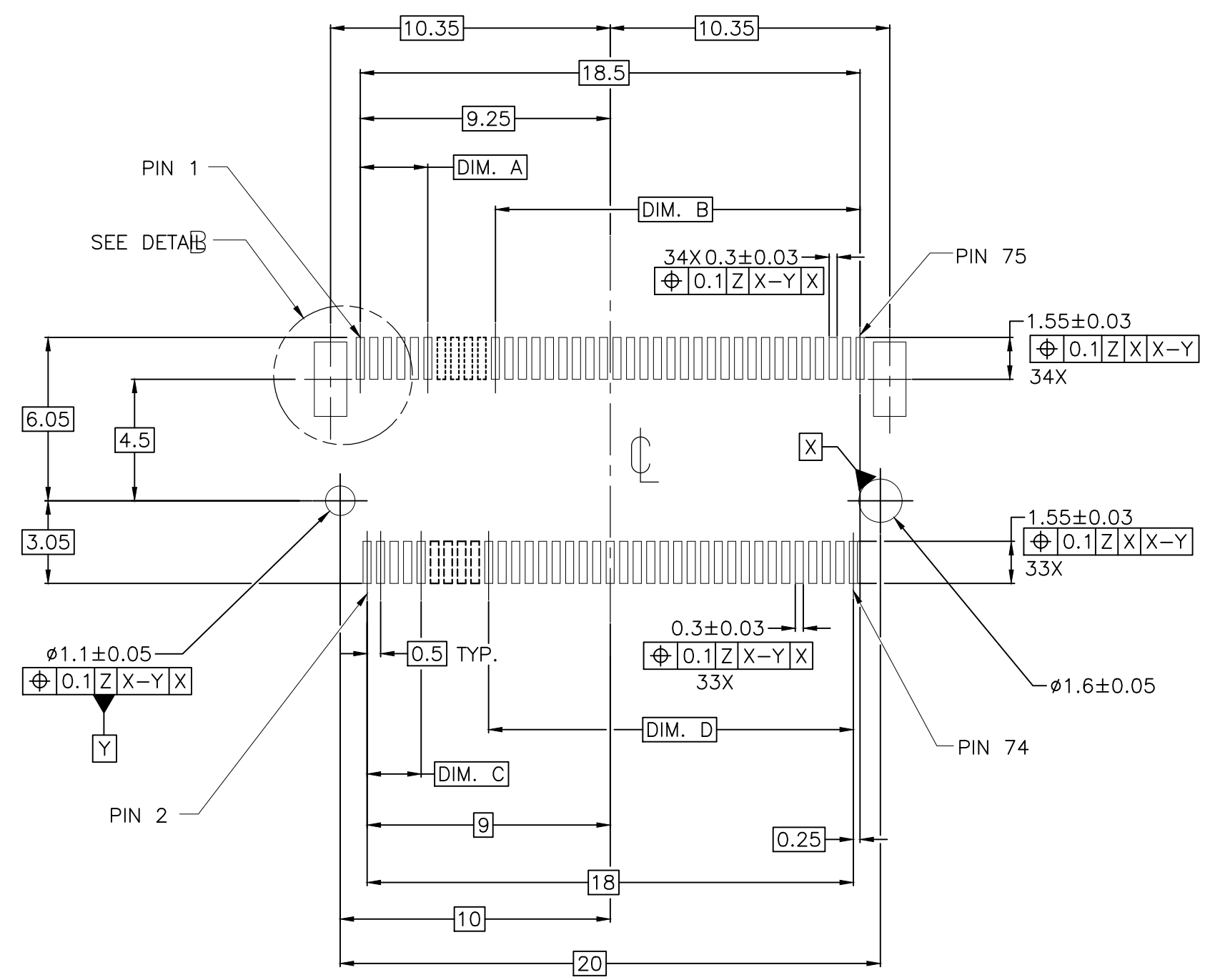


KEY ID.	PRODUCT SPEC.	GOLD SPEC.	DIM. G	DIM. F	DIM. E	DIM. D	DIM. C	DIM. B	DIM. A	PART NO.
M	108-115042	30u" MIN.	1.125	1.375	-6.125	1.5	14.0	2.0	14.0	1-2199119-6
		15u" MIN.								1-2199119-5
		10u" MIN.								1-2199119-4
	108-115049	GOLD FLASH								1-2199119-3
A	108-115042	10u" MIN.	1.375	1.125	6.625	14.5	1.0	14.5	1.5	1-2199119-2
E					2.625	10.5	5.0	10.5	5.5	1-2199119-1
B					5.625	13.5	2.0	13.5	2.5	1-2199119-0
A	108-115042	30u" MIN.	1.375	1.125	6.625	14.5	1.0	14.5	1.5	2199119-9
		15u" MIN.								2199119-8
	108-115049	GOLD FLASH								2199119-7
E	108-115042	30u" MIN.	1.375	1.125	2.625	10.5	5.0	10.5	5.5	2199119-6
B					5.625	13.5	2.0	13.5	2.5	2199119-5
E					2.625	10.5	5.0	10.5	5.5	2199119-4
B	108-115042	15u" MIN.	1.375	1.125	5.625	13.5	2.0	13.5	2.5	2199119-3
E					2.625	10.5	5.0	10.5	5.5	2199119-2
B	108-115049	GOLD FLASH			5.625	13.5	2.0	13.5	2.5	3-2199119-1
										2199119-1

THIS DRAWING IS A CONTROLLED DOCUMENT.		DWN SIMON WU 90CT2012	 TE Connectivity		
DIMENSIONS: mm		CHK SIMON LI 90CT2012			
TOLERANCES UNLESS OTHERWISE SPECIFIED:		APVD COREL WANG 90CT2012	NAME M.2(NGFF)MINI CARD MOUNTING TYPE 0.50mm PITCH 67 POS 3.2mm H DOUBLE SIDED MODULE		
<ul style="list-style-type: none"> 0 PLC ± 0.30 1 PLC ± 0.30 2 PLC ± 0.20 3 PLC ± 0.10 4 PLC ± - ANGLES ± 3° 		PRODUCT SPEC	SIZE A3		
MATERIAL		APPLICATION SPEC	CAGE CODE 00779	DRAWING NO C-2199119	
FINISH		WEIGHT 0	RESTRICTED TO -		
CUSTOMER DRAWING			SCALE 4:1	SHEET 2 of 5	REV F


THIS DRAWING IS UNPUBLISHED. RELEASED FOR PUBLICATION
 © COPYRIGHT - By - ALL RIGHTS RESERVED.

REVISIONS				
P	LTR	DESCRIPTION	DATE	APVD
-	-	SEE SHEET 1	-	-



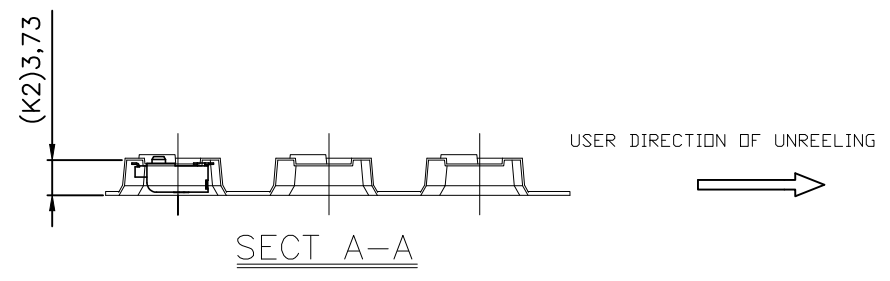
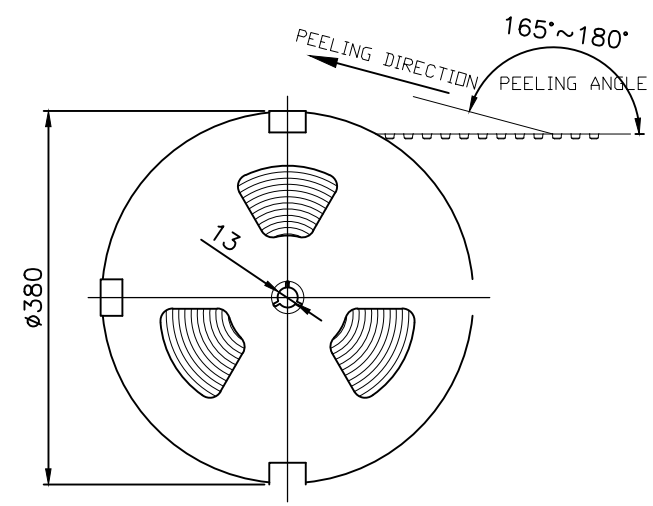
RECOMMENDED NGFF MINI CARD MOUNTING TYPE_SMT_PCB OUTLINE
 DATUM Z: PCB SOLDER SURFACE

M	1.5	14.0	2.0	14.0
E	10.5	5.0	10.5	5.5
B	13.5	2.0	13.5	2.5
A	14.5	1.0	14.5	1.5
KEY ID.	DIM. D	DIM. C	DIM. B	DIM. A

THIS DRAWING IS A CONTROLLED DOCUMENT.		DWN SIMON WU 90CT2012	 TE Connectivity	
DIMENSIONS: mm		CHK SIMON LI 90CT2012		
TOLERANCES UNLESS OTHERWISE SPECIFIED:		APVD COREL WANG 90CT2012	NAME M.2(NGFF)MINI CARD MOUNTING TYPE 0.50mm PITCH 67 POS 3.2mm H DOUBLE SIDED MODULE	
0 PLC ± 0.30 1 PLC ± 0.30 2 PLC ± 0.20 3 PLC ± 0.10 4 PLC ± - ANGLES ± 3°		PRODUCT SPEC	SIZE A3	
MATERIAL		APPLICATION SPEC	CAGE CODE 00779	DRAWING NO C-2199119
FINISH		WEIGHT	RESTRICTED TO	
		CUSTOMER DRAWING		SCALE 5:1
		SHEET 3 OF 5		REV F

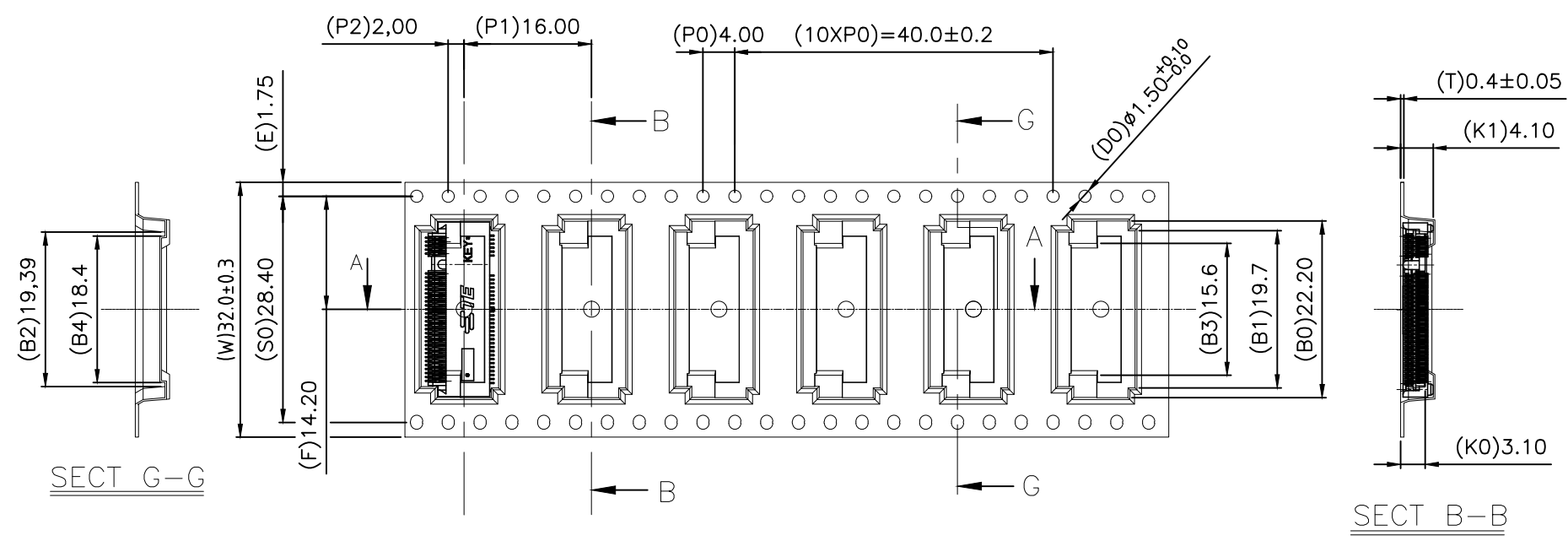
THIS DRAWING IS UNPUBLISHED. RELEASED FOR PUBLICATION
 © COPYRIGHT - By - ALL RIGHTS RESERVED.

REVISIONS					
P	LTR	DESCRIPTION	DATE	DWN	APVD
-	-	SEE SHEET 1	-	-	-



NOTES: (APPLIED TO CURRENT SHEET)

1. THE DIRECTION OF EACH CONNECTOR ON A EMBOSS IS REFERRED TO THIS DRAWING.
2. GENERAL TOLERANCE: ± 0.5 , $\pm 3^\circ$
3. PACKAGED IN EMBOSS TAPE AND PLASTIC RELL 1200PCS PER REEL.



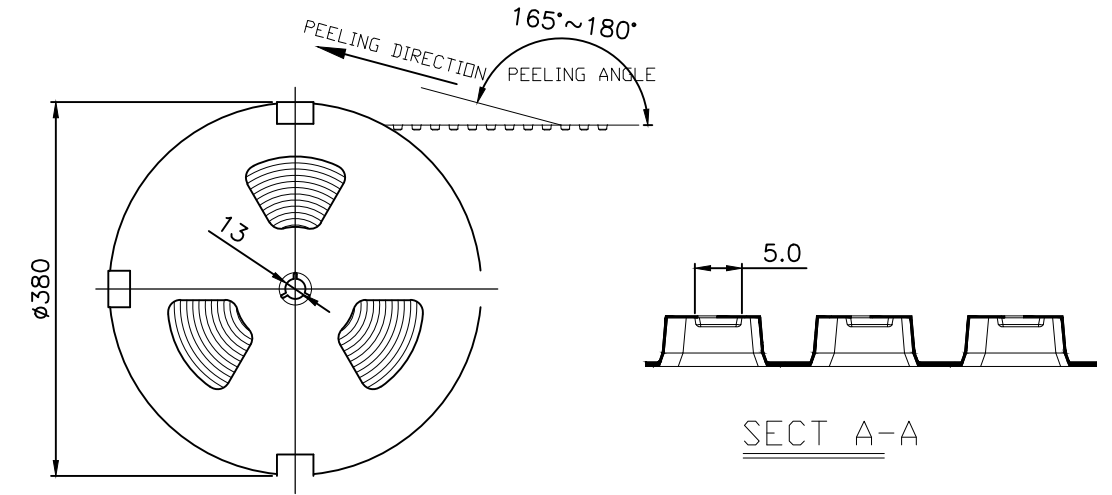
USER DIRECTION OF UNREELING

M	1-2199119-6
	1-2199119-5
	1-2199119-4
	1-2199119-3
A	1-2199119-2
E	1-2199119-1
B	1-2199119-0
A	2199119-9
	2199119-8
	2199119-7
E	2199119-6
B	2199119-5
E	2199119-4
B	2199119-3
E	2199119-2
B	2199119-1
KEY ID.	PART NO.

THIS DRAWING IS A CONTROLLED DOCUMENT.		DWN SIMON WU 90CT2012	TE Connectivity NAME M.2(NGFF)MINI CARD MOUNTING TYPE 0.50mm PITCH 67 POS 3.2mm H DOUBLE SIDED MODULE		
DIMENSIONS: mm		CHK SIMON LI 90CT2012			
TOLERANCES UNLESS OTHERWISE SPECIFIED:		APVD COREL WANG 90CT2012	SIZE A3		
0 PLC ± 0.30 1 PLC ± 0.30 2 PLC ± 0.20 3 PLC ± 0.10 4 PLC ± - ANGLES ± 3°		PRODUCT SPEC	CAGE CODE 00779		
MATERIAL		APPLICATION SPEC	DRAWING NO C-2199119		
FINISH		WEIGHT	RESTRICTED TO		
		CUSTOMER DRAWING	SCALE N/A		
			SHEET 4 of 5		
			REV F		

THIS DRAWING IS UNPUBLISHED. RELEASED FOR PUBLICATION
 © COPYRIGHT - By - ALL RIGHTS RESERVED.

REVISIONS					
P	LTR	DESCRIPTION	DATE	DWN	APVD
-	-	SEE SHEET 1	-	-	-

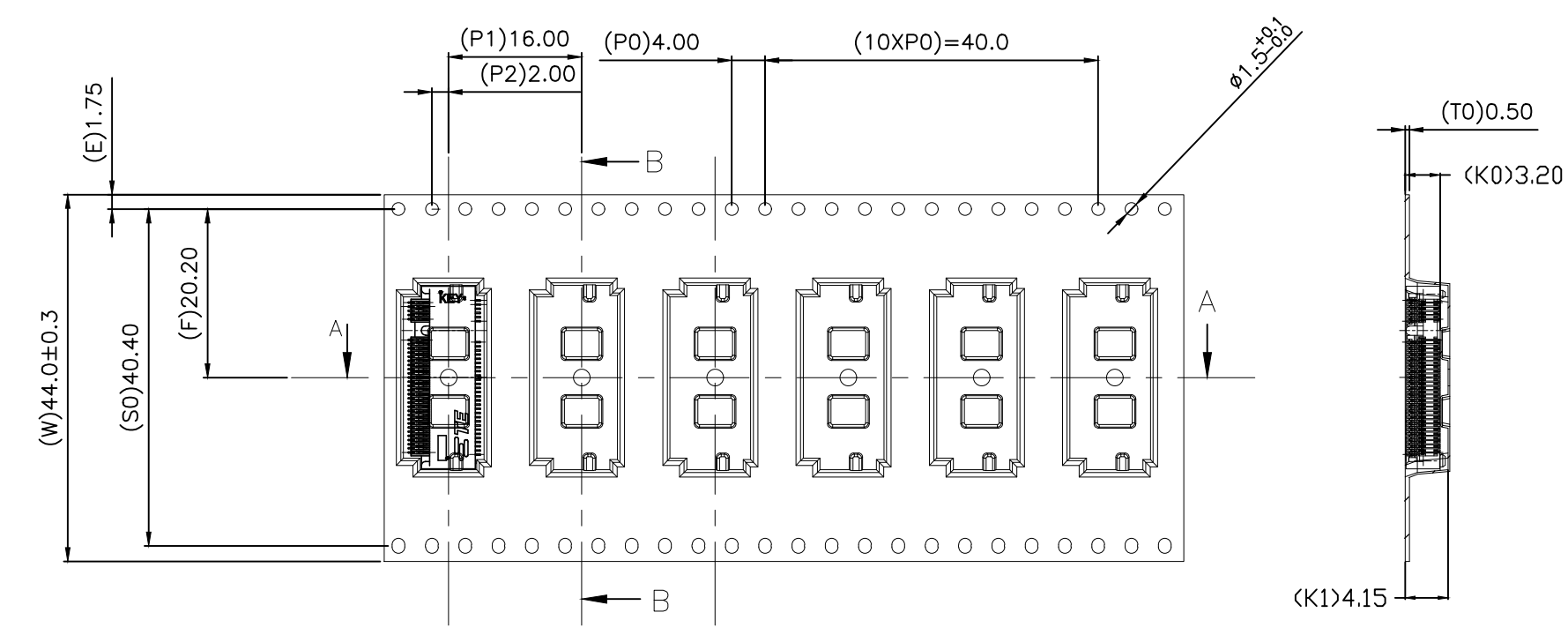


NOTES: (APPLIED TO CURRENT SHEET)

1. THE DIRECTION OF EACH CONNECTOR ON A EMBOSS IS REFERRED TO THIS DRAWING.
2. GENERAL TOLERANCE: ± 0.5 , $\pm 3^\circ$
3. PACKAGED IN EMBOSS TAPE AND PLASTIC RELL 1200PCS PER REEL.

USER DIRECTION OF UNREELING \rightarrow


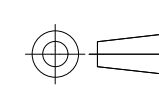
SECT A-A



USER DIRECTION OF UNREELING \rightarrow

SECT B-B
N.I.S

B	3-2199119-1
KEY ID.	PART NO.

THIS DRAWING IS A CONTROLLED DOCUMENT.		DWN SIMON WU 90CT2012	 TE Connectivity				
DIMENSIONS: mm		CHK SIMON LI 90CT2012				NAME	
		APVD COREL WANG 90CT2012				M.2(NGFF)MINI CARD MOUNTING TYPE 0.50mm PITCH 67 POS 3.2mm H DOUBLE SIDED MODULE	
TOLERANCES UNLESS OTHERWISE SPECIFIED:		PRODUCT SPEC				RESTRICTED TO	
MATERIAL		FINISH	APPLICATION SPEC	SIZE	CAGE CODE	DRAWING NO	RESTRICTED TO
-		-	WEIGHT	A3	00779	C-2199119	-
CUSTOMER DRAWING			SCALE	N/A	SHEET	5 OF 5	REV
							F

X-ON Electronics

Largest Supplier of Electrical and Electronic Components

Click to view similar products for [PCI Express/PCI Connectors](#) category:

Click to view products by [TE Connectivity](#) manufacturer:

Other Similar products are found below :

[UEX220-6U](#) [10039755-10110TLF](#) [1-1871239-2](#) [2170560-2](#) [10125756-980000LF](#) [EB220-3U](#) [10061913-120PLF](#) [GPCP146400111HR](#)
[205058-1001](#) [GPCP442628110HR](#) [GPCP446200120HR](#) [GPCP245400111HR](#) [10082378-10000TLF](#) [87715-9256](#) [MDT580M03001](#)
[0877159107](#) [MDT580M01001](#) [10018783-11000MLF](#) [10018783-11101TLF](#) [10108777-10000ALF](#) [10141523-111T0LF](#) [10145445-10003MLF](#)
[PSASF2130311TR](#) [PSASF3130411TR](#) [PSASF3130131TR](#) [7-1734774-7](#) [3-1761465-1](#) [10018784-10111TLF](#) [10039755-10111TLF](#) [10039755-](#)
[10112TLF](#) [10018783-10211TLF](#) [10018784-10211TLF](#) [10018784-10212TLF](#) [1761465-2](#) [1871058-1](#) [5-1761465-4](#) [10018783-10200MLF](#)
[10018783-10213TLF](#) [10018784-10210TLF](#) [10018784-11113TLF](#) [10025026-10001TLF](#) [5145154-8](#) [1871058-4](#) [2041119-2](#) [10018783-](#)
[10212TLF](#) [10018784-10102TLF](#) [10018783-11200TLF](#) [SM3ZS067U215-NUT1-R2500](#) [10123371-001TRLF](#) [10018784-10110TLF](#)