

TITLE	CODING	TE ORDER-NO	QTY	PART DESCRIPTION	MATERIAL	SURFACE COLOUR	ITEM
1 POS. RING TOUNGUE. HOUSING. ASSY	Z	9-1991226-2	1	PERIPHERAL SEAL	MVQ-30	NATURAL	3
			1	1POS. RING TOUNGE. HOUSING. IPT 16-50mm <sup>2</sup>	PA66-GF35	ORANGE SIMILAR RAL 2003	2
			2	SLEEVE. IPT	CuZn39	Ni	1
1 POS. RING TOUNGUE. HOUSING. ASSY	F	6-1991226-2	1	PERIPHERAL SEAL	MVQ-30	NATURAL	3
			1	1POS. RING TOUNGE. HOUSING. IPT 16-50mm <sup>2</sup>	PA66-GF35	ORANGE SIMILAR RAL 2003	2
			2	SLEEVE. IPT	CuZn39	Ni	1
1 POS. RING TOUNGUE. HOUSING. ASSY	E	5-1991226-2	1	PERIPHERAL SEAL	MVQ-30	NATURAL	3
			1	1POS. RING TOUNGE. HOUSING. IPT 16-50mm <sup>2</sup>	PA66-GF35	ORANGE SIMILAR RAL 2003	2
			2	SLEEVE. IPT	CuZn39	Ni	1
1 POS. RING TOUNGUE. HOUSING. ASSY	D	4-1991226-2	1	PERIPHERAL SEAL	MVQ-30	NATURAL	3
			1	1POS. RING TOUNGE. HOUSING. IPT 16-50mm <sup>2</sup>	PA66-GF35	ORANGE SIMILAR RAL 2003	2
			2	SLEEVE. IPT	CuZn39	Ni	1
1 POS. RING TOUNGUE. HOUSING. ASSY	C	3-1991226-2	1	PERIPHERAL SEAL	MVQ-30	NATURAL	3
			1	1POS. RING TOUNGE. HOUSING. IPT 16-50mm <sup>2</sup>	PA66-GF35	ORANGE SIMILAR RAL 2003	2
			2	SLEEVE. IPT	CuZn39	Ni	1
1 POS. RING TOUNGUE. HOUSING. ASSY	B	2-1991226-2	1	PERIPHERAL SEAL	MVQ-30	NATURAL	3
			1	1POS. RING TOUNGE. HOUSING. IPT 16-50mm <sup>2</sup>	PA66-GF35	ORANGE SIMILAR RAL 2003	2
			2	SLEEVE. IPT	CuZn39	Ni	1
1 POS. RING TOUNGUE. HOUSING. ASSY	A	1-1991226-2	1	PERIPHERAL SEAL	MVQ-30	NATURAL	3
			1	1POS. RING TOUNGE. HOUSING. IPT 16-50mm <sup>2</sup>	PA66-GF35	ORANGE SIMILAR RAL 2003	2
			2	SLEEVE. IPT	CuZn39	Ni	1
1 POS. RING TOUNGUE. HOUSING. ASSY		9-1991226-1	1	PERIPHERAL SEAL	MVQ-30	NATURAL	3
			1	1POS. RING TOUNGE. HOUSING. IPT 16-50mm <sup>2</sup>	PA66-GF35	BLACK SIMILAR RAL 9011	2
			2	SLEEVE. IPT	CuZn39	Ni	1
1 POS. RING TOUNGUE. HOUSING. ASSY		6-1991226-1	1	PERIPHERAL SEAL	MVQ-30	NATURAL	3
			1	1POS. RING TOUNGE. HOUSING. IPT 16-50mm <sup>2</sup>	PA66-GF35	BLACK SIMILAR RAL 9011	2
			2	SLEEVE. IPT	CuZn39	Ni	1
1 POS. RING TOUNGUE. HOUSING. ASSY	E	5-1991226-1	1	PERIPHERAL SEAL	MVQ-30	NATURAL	3
			1	1POS. RING TOUNGE. HOUSING. IPT 16-50mm <sup>2</sup>	PA66-GF35	BLACK SIMILAR RAL 9011	2
			2	SLEEVE. IPT	CuZn39	Ni	1
1 POS. RING TOUNGUE. HOUSING. ASSY	D	4-1991226-1	1	PERIPHERAL SEAL	MVQ-30	NATURAL	3
			1	1POS. RING TOUNGE. HOUSING. IPT 16-50mm <sup>2</sup>	PA66-GF35	BLACK SIMILAR RAL 9011	2
			2	SLEEVE. IPT	CuZn39	Ni	1
1 POS. RING TOUNGUE. HOUSING. ASSY	C	3-1991226-1	1	PERIPHERAL SEAL	MVQ-30	NATURAL	3
			1	1POS. RING TOUNGE. HOUSING. IPT 16-50mm <sup>2</sup>	PA66-GF35	BLACK SIMILAR RAL 9011	2
			2	SLEEVE. IPT	CuZn39	Ni	1
1 POS. RING TOUNGUE. HOUSING. ASSY	B	2-1991226-1	1	PERIPHERAL SEAL	MVQ-30	NATURAL	3
			1	1POS. RING TOUNGE. HOUSING. IPT 16-50mm <sup>2</sup>	PA66-GF35	BLACK SIMILAR RAL 9011	2
			2	SLEEVE. IPT	CuZn39	Ni	1
1 POS. RING TOUNGUE. HOUSING. ASSY	A	1-1991226-1	1	PERIPHERAL SEAL	MVQ-30	NATURAL	3
			1	1POS. RING TOUNGE. HOUSING. IPT 16-50mm <sup>2</sup>	PA66-GF35	BLACK SIMILAR RAL 9011	2
			2	SLEEVE. IPT	CuZn39	Ni	1

OBSOLETE

CODINGS

LOC	DIST	P	LTN	DESCRIPTION	DATE	DMN	APVD
A1	-	B2		CHANGE OF CODE A	12SEP2012	VA	FKA
		B3		X- -1 PNs OBSOLETE	06NOV2013	VA	FKA
		B4		NEW PRODUCT AND APPLICATION SPEC NO.	20AUG2015	AHM	FKA
		B5		1-1991226-1 - REACTIVATED	19APR2017	TSV	FKA

CODE A

CODE B

CODE C

CODE D

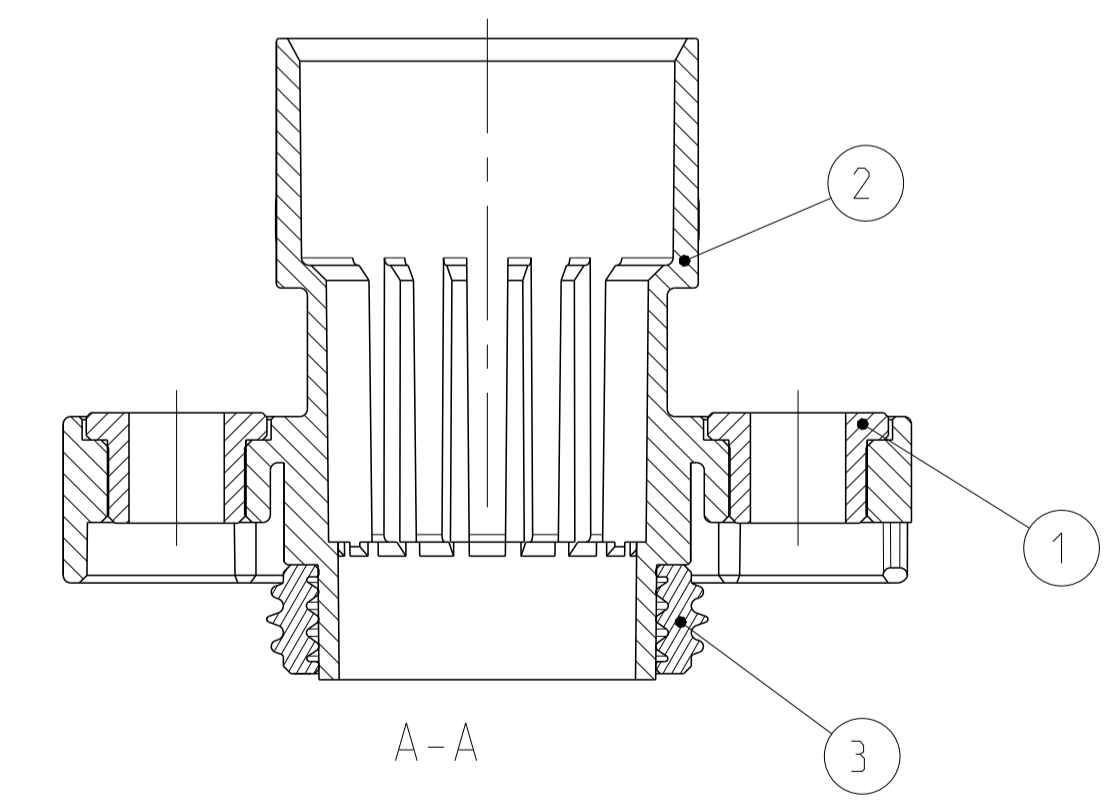
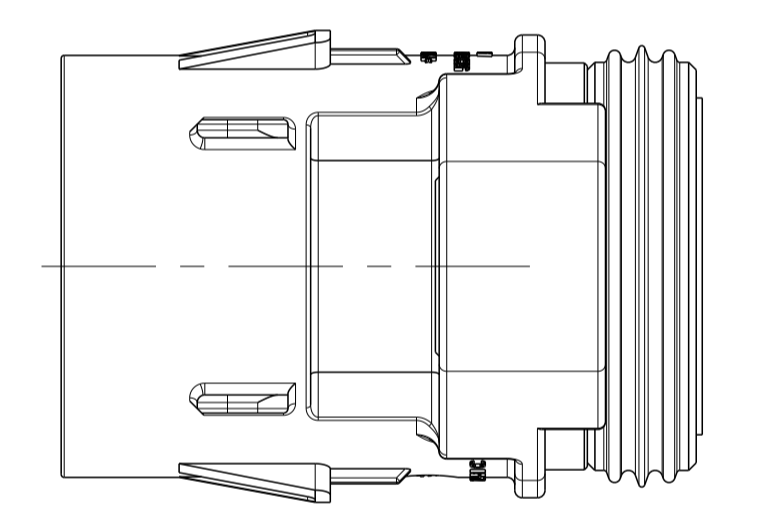
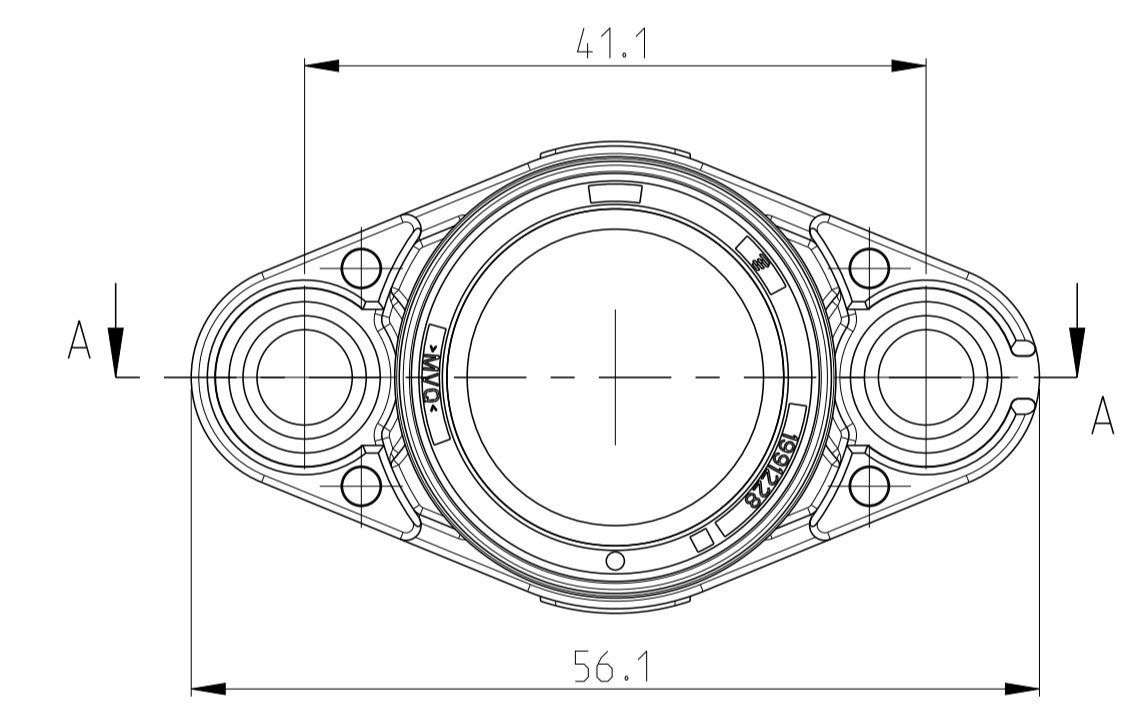
3D VIEW  
1:1

CODE E

CODE F

CODE G

CODE Z



NOTES:  
 1. PACKAGING SPECIFICATION  
 PIECES PACKED IN CARTON WITH LAYER PAD

2- -7 AS SHOWN

THIS DRAWING IS A CONTROLLED DOCUMENT.		DMN S. GURURAJ	29JAN2009	<b>STE</b> TE Connectivity
DIMENSIONS: mm		CHK M. HARRIS	29JAN2009	
TOLERANCES UNLESS OTHERWISE SPECIFIED: ±0.5		APVD J. MARSH	29JAN2009	
MATERIAL: -		NAME 1POS. RING TOUNGUE. HOUSING. ASSY IPT 16-50 mm sq.	PRODUCT SPEC 108-94293	
FINISH: -		APPLICATION SPEC 114-94133	RESTRICTED TO	
WEIGHT 0.020 Kg		SIZE A1	CAGE CODE 00779	DRAWING NO. 1991226
CUSTOMER DRAWING		SCALE 2:1	SHEET 1	OF 1
			REV B5	

## X-ON Electronics

Largest Supplier of Electrical and Electronic Components

*Click to view similar products for [Automotive Connectors](#) category:*

*Click to view products by [TE Connectivity](#) manufacturer:*

Other Similar products are found below :

[003-018-000](#) [60403001](#) [60993906-B](#) [M902-2131](#) [M902-2161](#) [M902-2344](#) [72.330.1035.1](#) [73.353.4028.0](#) [F119300-B](#) [F166900](#) [F258300-B](#)  
[F358300-B](#) [F407400](#) [F444110](#) [F487000](#) [F509500B-B](#) [827153-1](#) [8N1515-32-24P](#) [9-1326729-8](#) [925474-1](#) [928905-1](#) [964562-4](#) [968782-1](#)  
[GT17SA-8DS-HU](#) [98891-1012](#) [98947-1016](#) [12004147](#) [12004475-L](#) [12010290](#) [12015454](#) [12020219-B](#) [12041318-B](#) [12052225-L](#) [12052466](#)  
[12064869](#) [12004327-B](#) [12015308](#) [12015384](#) [12015909](#) [1-21030-1](#) [12041254](#) [12041318](#) [12047946-B](#) [12047957](#) [12047957-L](#) [12059473](#)  
[12066261](#) [12110546](#) [12110546-B](#) [12131792](#)