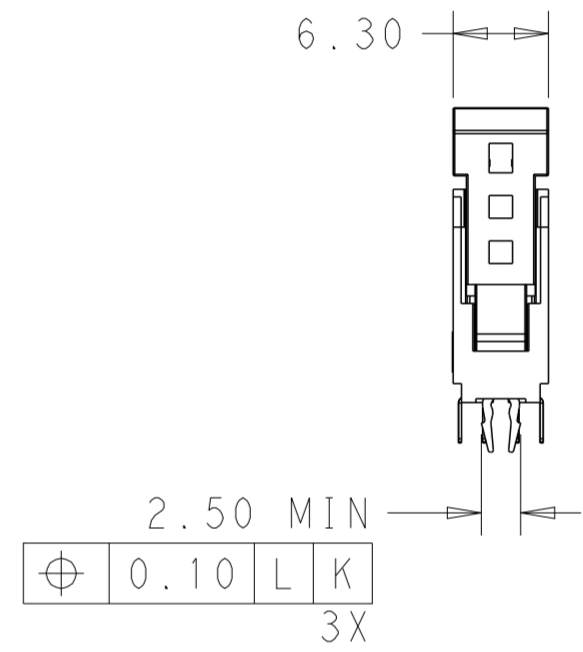
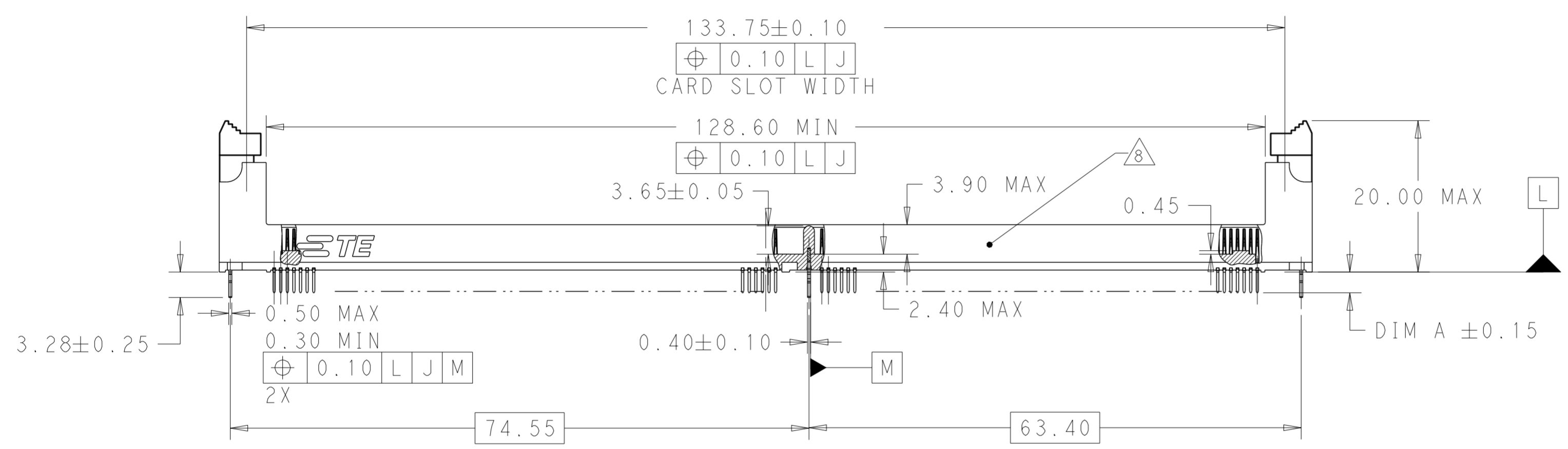
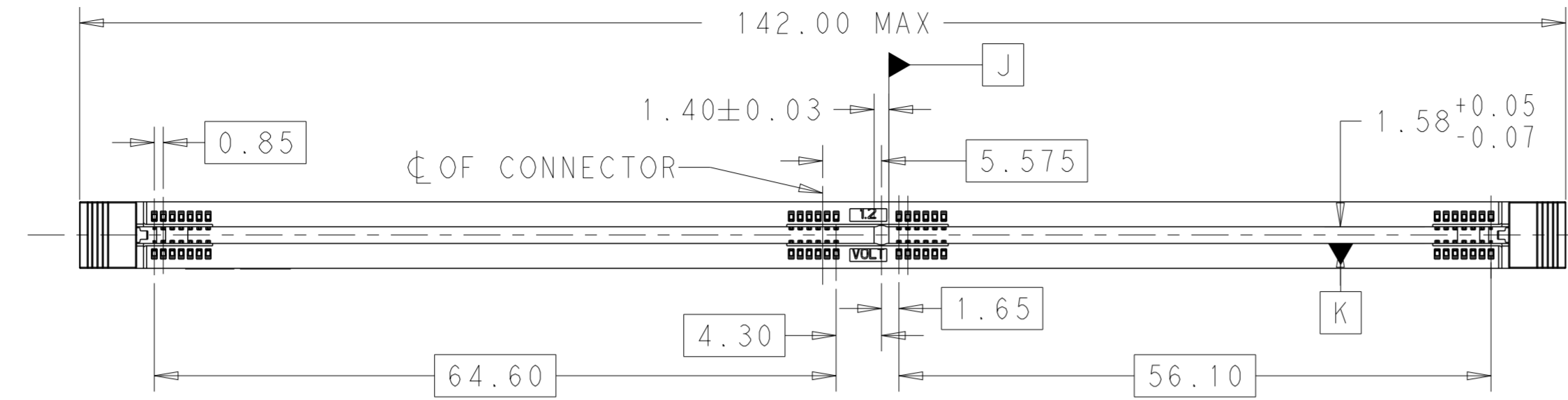


THIS DRAWING IS UNPUBLISHED. RELEASED FOR PUBLICATION 20  
 © COPYRIGHT 20 TE CONNECTIVITY ALL RIGHTS RESERVED.

LOC		DIST		REVISIONS			
P	LTR	DESCRIPTION	DATE	DWN	APVD		
	C8	REVISED TO ADD PN	12APR2019	D.Z	S.L		



1 MATERIALS:

HOUSING: HIGH TEMPERATURE NYLON, UL94 V-0  
 EXTRACTOR: HIGH TEMPERATURE THERMOPLASTIC, UL94 V-0  
 CONTACTS: COPPER ALLOY  
 RETENTION BARB: STAINLESS STEEL

2 INTERFACE FINISH:

- (1) 0.00076 MIN THK GOLD OVER 0.00127 MIN THK NICKEL.
- (2) 0.00038 MIN THK GOLD OVER 0.00127 MIN THK NICKEL.
- (3) 0.00050 MIN THK GOLD OVER 0.00228 MIN THK NICKEL.

3 SOLDER TAIL FINISH:

0.00300 MIN THK MATTE TIN OVER 0.00127 MIN THK NICKEL.


4 KEEP OUT ZONE.

5 KEEP OUT AREA RESERVED FOR SOCKET EXTRACTORS, BOTH ENDS.

6 FINISHED HOLE SIZE. 0.15 MAXIMUM ANNULAR RING.

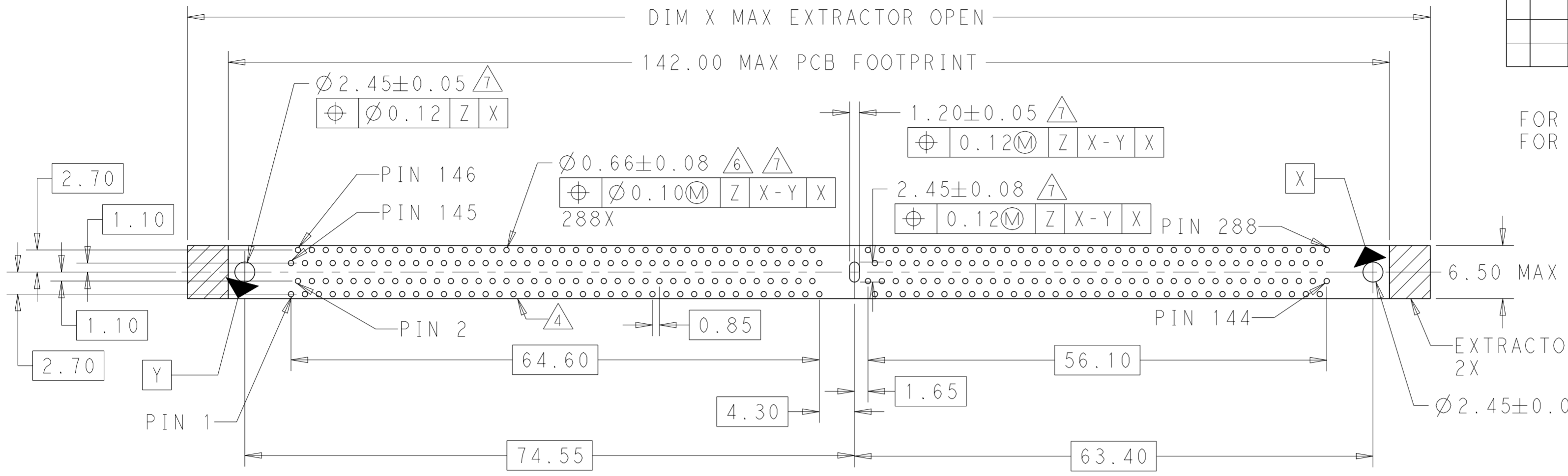
7 DATUM [Z] IS CONNECTOR SIDE SURFACE OF PCB.

8 5 DIGIT DATE CODE (YYWWD) LOCATED AS SHOWN.

THIS DRAWING IS A CONTROLLED DOCUMENT.		DWN 18MAR2013 RICHARD MA	 TE Connectivity	
DIMENSIONS: mm		CHK 18MAR2013 SIMON LI		
TOLERANCES UNLESS OTHERWISE SPECIFIED:		APVD 18MAR2013 COREI WANG	NAME SOCKET ASSEMBLY DDR4 DIMM, T/H TYPE 288 POSITION	
0 PLC ±1		PRODUCT SPEC 108-115067	SIZE A200779	
1 PLC ±0.25		APPLICATION SPEC 501-115076	DRAWING NO C-2199154	
2 PLC ±0.15		WEIGHT -	RESTRICTED TO -	
3 PLC ±0.10		SCALE 1:1 SHEET 1 OF 8 REV C8		
4 PLC ±		CUSTOMER DRAWING		
ANGLES ±				
FINISH				

THIS DRAWING IS UNPUBLISHED. RELEASED FOR PUBLICATION 20  
 © COPYRIGHT 20 TE CONNECTIVITY ALL RIGHTS RESERVED.

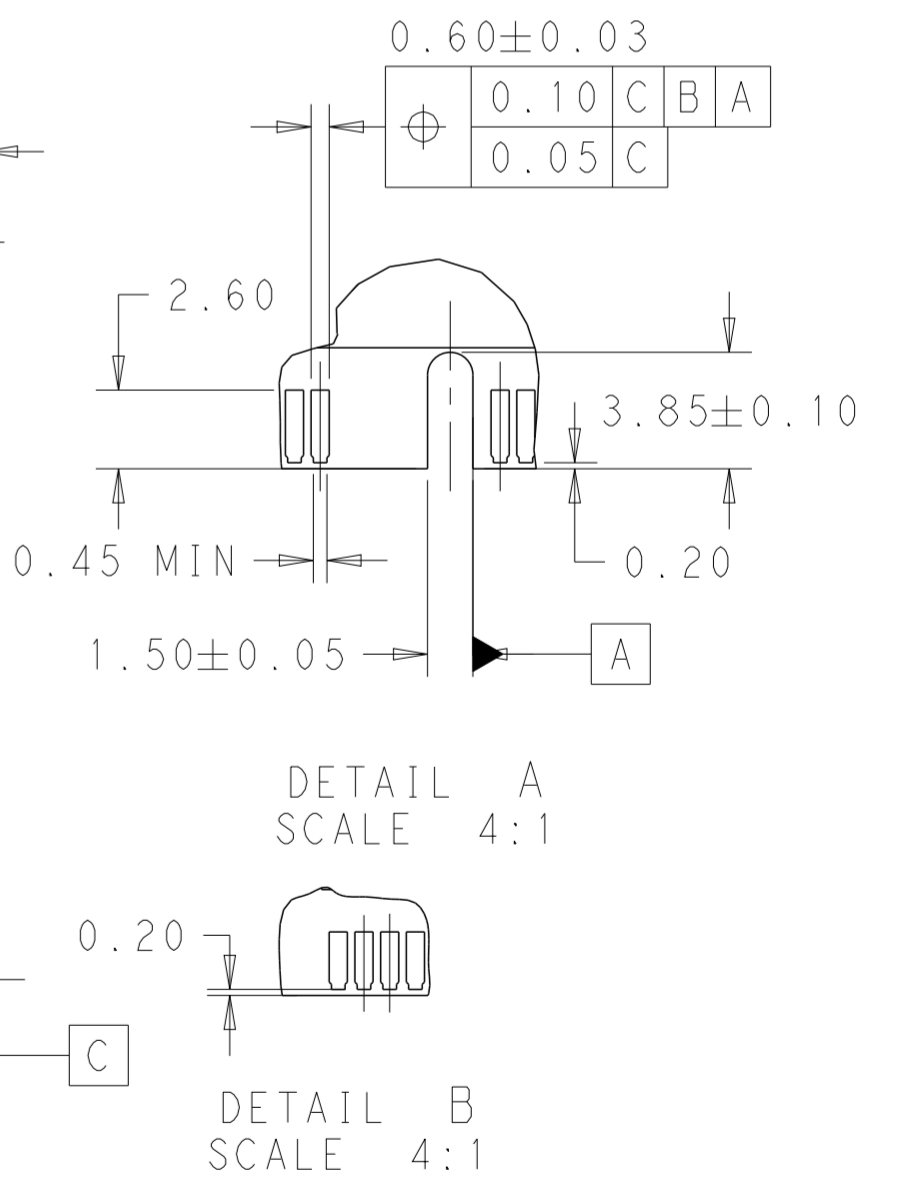
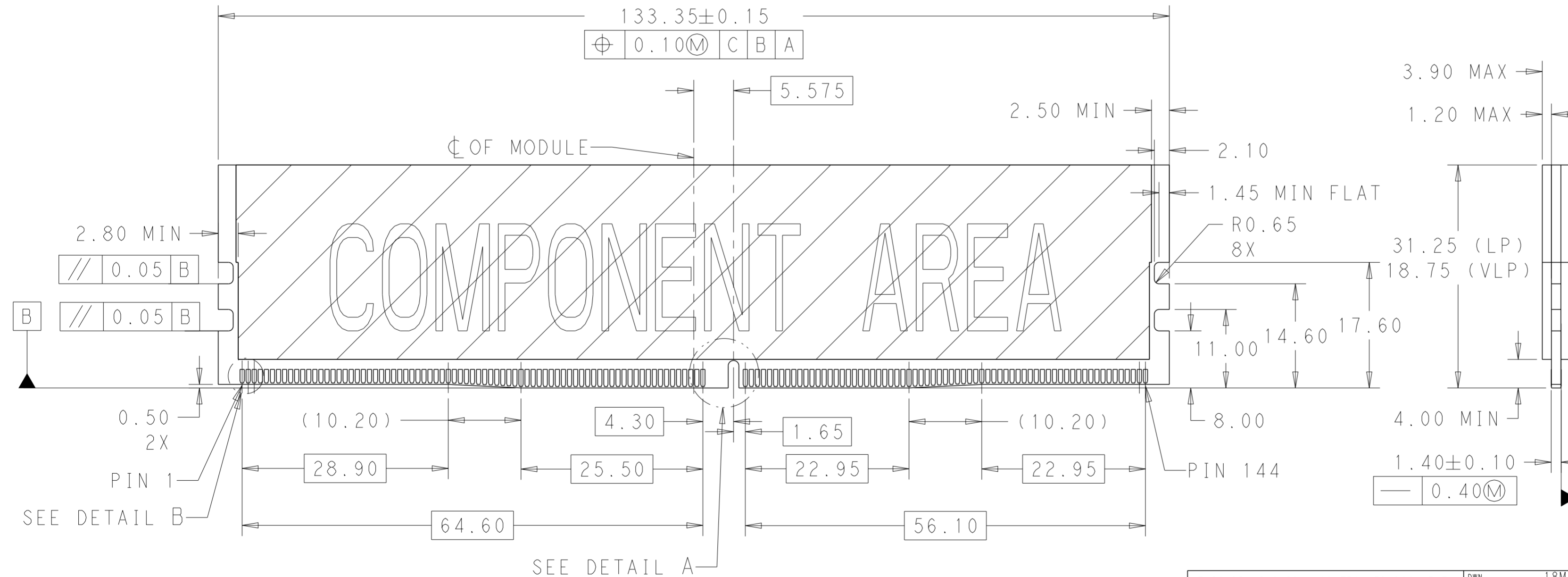
LOC		DIST		REVISIONS			
P	LTR	DESCRIPTION	DATE	DWN	APVD		
-	-	SEE SHEET 1	-	-	-		



FOR SHORT LATCH TYPE, X IS 152MM;  
 FOR LONG LATCH TYPE, X IS 162MM.

### RECOMMENDED PCB LAYOUT

VIEWED FROM CONNECTOR SIDE

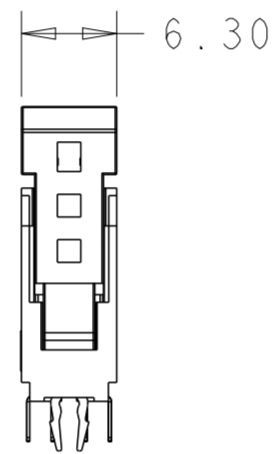
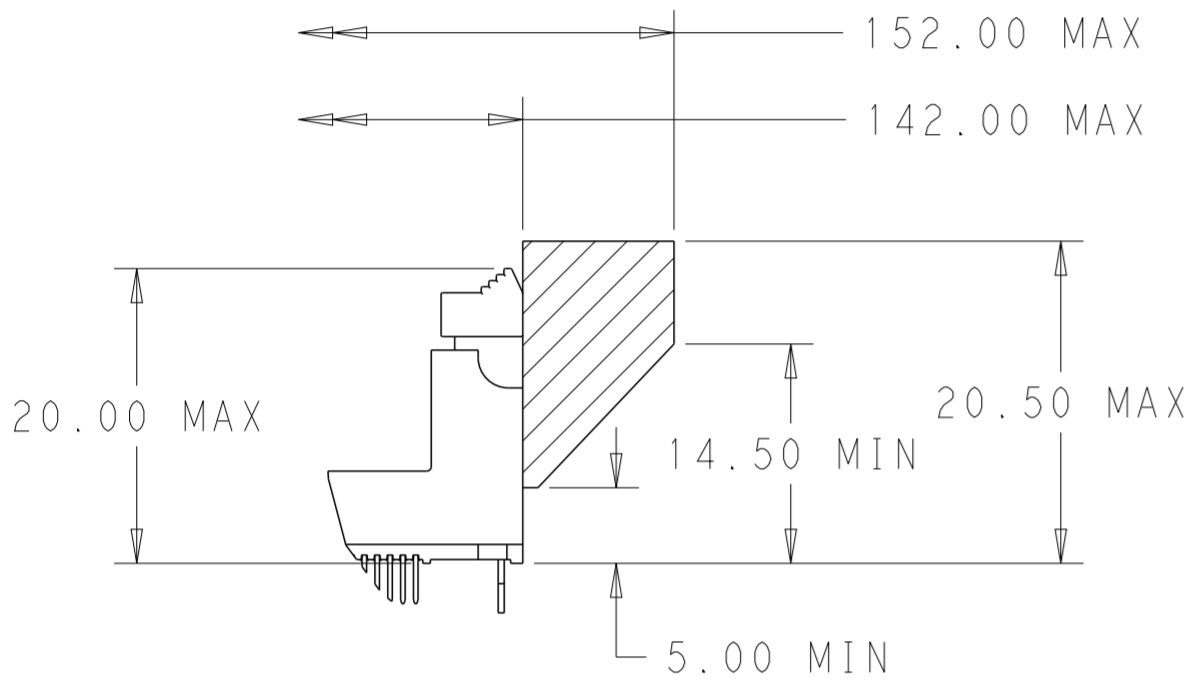


### RECOMMENDED MODULE LAYOUT

THIS DRAWING IS A CONTROLLED DOCUMENT.		DWN RICHARD MA 18MAR2013	TE Connectivity	
		CHK SIMON LI 18MAR2013		
DIMENSIONS: mm		APVD COREI WANG 18MAR2013	NAME SOCKET ASSEMBLY	
TOLERANCES UNLESS OTHERWISE SPECIFIED:		PRODUCT SPEC 108-115067	DDR4 DIMM, T/H TYPE	
0 PLC ±1		APPLICATION SPEC 501-115076	288 POSITION	
1 PLC ±0.25		WEIGHT -	SIZE A2	CAGE CODE 00779
2 PLC ±0.15		CUSTOMER DRAWING	DRAWING NO C-2199154	RESTRICTED TO -
3 PLC ±0.10			SCALE 1:1	SHEET 2 OF 8
4 PLC ±				REV C8
ANGLES ±				
FINISH				

THIS DRAWING IS UNPUBLISHED. RELEASED FOR PUBLICATION 20  
 © COPYRIGHT 20 TE CONNECTIVITY ALL RIGHTS RESERVED.

LOC		DIST		REVISIONS			
P	LTR	DESCRIPTION	DATE	DWN	APVD		
-	-	SEE SHEET 1	-	-	-		



SHORT LATCH TYPE

SOFT TRAY	BOARD LOCK	BLUE(2935U)	BLUE(2935U)	0.00038 MIN	2.10	9-2199154-6
SOFT TRAY	BOARD LOCK	NATURAL	BLUE(2935U)	0.00038 MIN	2.10	9-2199154-3
SOFT TRAY	BOARD LOCK	NATURAL	GREEN(375C)	0.00038 MIN	2.67	9-2199154-2
SOFT TRAY	BOARD LOCK	GREEN(375C)	BLACK	0.00076 MIN	2.10	8-2199154-9
SOFT TRAY	BOARD LOCK	NATURAL	BLUE(2935U)	0.00038 MIN	2.67	8-2199154-8
SOFT TRAY	BOARD LOCK	NATURAL	YELLOW(107C)	0.00076 MIN	3.18	8-2199154-7
SOFT TRAY	BOARD LOCK	NATURAL	YELLOW(107C)	0.00038 MIN	3.18	8-2199154-6
SOFT TRAY	BOARD LOCK	NATURAL	BLUE(2935U)	0.00076 MIN	3.18	8-2199154-4
SOFT TRAY	BOARD LOCK	GREEN(375C)	BLACK	0.00050 MIN	3.18	8-2199154-3
SOFT TRAY	BOARD LOCK	NATURAL	BLUE(2935U)	0.00038 MIN	3.18	8-2199154-2
SOFT TRAY	BOARD LOCK	GREEN(375C)	BLACK	0.00076 MIN	2.67	8-2199154-1
SOFT TRAY	BOARD LOCK	BLUE(2935U)	BLUE(2935U)	0.00038 MIN	2.67	7-2199154-9
SOFT TRAY	BOARD LOCK	NATURAL	YELLOW(107C)	0.00076 MIN	2.67	6-2199154-9
SOFT TRAY	BOARD LOCK	BLUE(2935U)	BLUE(2935U)	0.00038 MIN	3.18	6-2199154-6
SOFT TRAY	BOARD LOCK	BLACK	BLACK	0.00076 MIN	3.18	6-2199154-4
SOFT TRAY	BOARD LOCK	NATURAL	BLACK	0.00076 MIN	3.18	6-2199154-0
SOFT TRAY	BOARD LOCK	BLACK	BLACK	0.00050 MIN	3.18	5-2199154-2
SOFT TRAY	BOARD LOCK	NATURAL	BLACK	0.00050 MIN	3.18	5-2199154-1
SOFT TRAY	BOARD LOCK	NATURAL	NATURAL	0.00076 MIN	3.18	2-2199154-6
SOFT TRAY	BOARD LOCK	NATURAL	NATURAL	0.00038 MIN	3.18	2-2199154-5
SOFT TRAY	BOARD LOCK	BLACK	BLACK	0.00038 MIN	3.18	2-2199154-3
SOFT TRAY	BOARD LOCK	NATURAL	BLACK	0.00038 MIN	3.18	2-2199154-1
SOFT TRAY	BOARD LOCK	NATURAL	NATURAL	0.00076 MIN	2.10	1-2199154-6
SOFT TRAY	BOARD LOCK	NATURAL	BLACK	0.00038 MIN	2.10	1-2199154-5
SOFT TRAY	BOARD LOCK	BLACK	BLACK	0.00076 MIN	2.10	1-2199154-4
SOFT TRAY	BOARD LOCK	NATURAL	NATURAL	0.00038 MIN	2.10	1-2199154-3
SOFT TRAY	BOARD LOCK	NATURAL	BLACK	0.00076 MIN	2.10	1-2199154-2
SOFT TRAY	BOARD LOCK	BLACK	BLACK	0.00038 MIN	2.10	1-2199154-1
SOFT TRAY	BOARD LOCK	NATURAL	NATURAL	0.00076 MIN	2.67	2199154-6
SOFT TRAY	BOARD LOCK	NATURAL	NATURAL	0.00038 MIN	2.67	2199154-5
SOFT TRAY	BOARD LOCK	BLACK	BLACK	0.00076 MIN	2.67	2199154-4
SOFT TRAY	BOARD LOCK	BLACK	BLACK	0.00038 MIN	2.67	2199154-3
SOFT TRAY	BOARD LOCK	NATURAL	BLACK	0.00076 MIN	2.67	2199154-2
SOFT TRAY	BOARD LOCK	NATURAL	BLACK	0.00038 MIN	2.67	2199154-1
PACKING STYLE	HOUSING STYLE	EXTRACTOR COLOR	HOUSING COLOR	CONTACT GOLD INTERFACE	DIM A	PART NUMBER

THIS DRAWING IS A CONTROLLED DOCUMENT.

DWN RICHARD MA 18MAR2013  
 CHK SIMON LJ 18MAR2013  
 APVD COREI WANG 18MAR2013

**STE** TE Connectivity

NAME SOCKET ASSEMBLY  
 DDR4 DIMM, T/H TYPE  
 288 POSITION

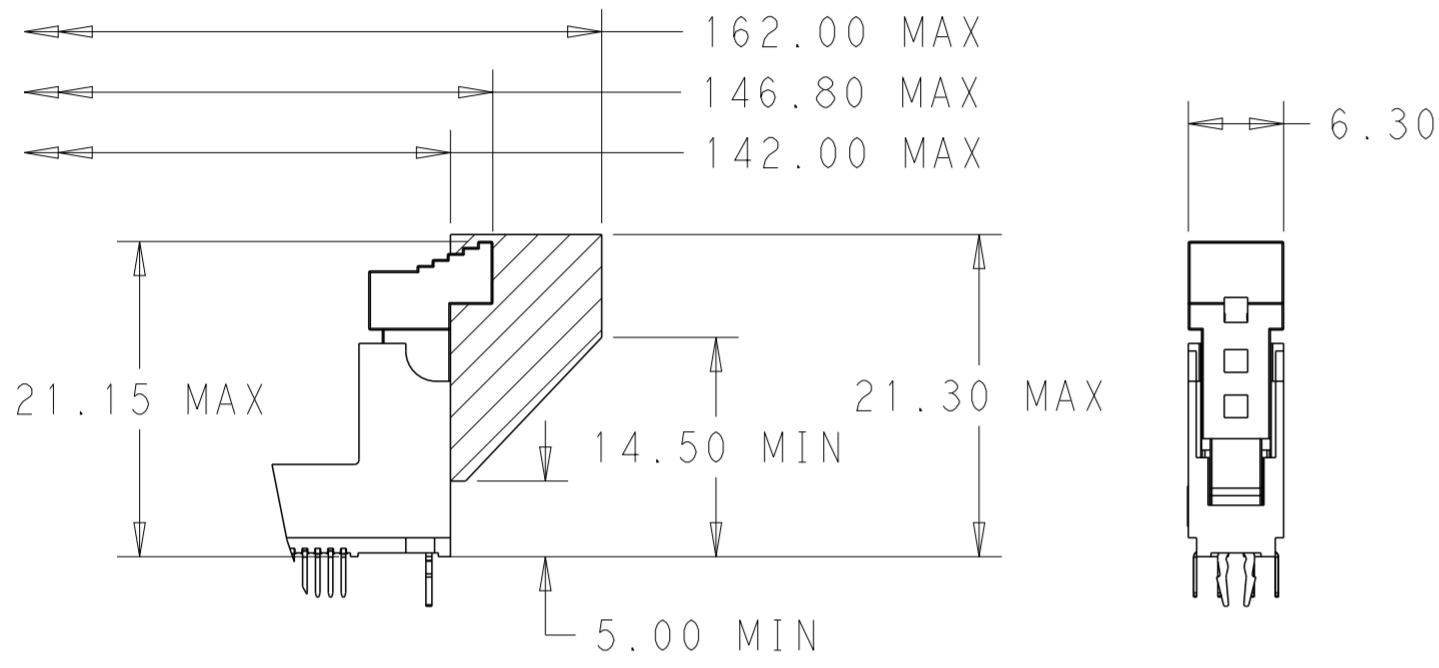
PRODUCT SPEC 108-115067  
 APPLICATION SPEC 501-115076

SIZE A2 CAGE CODE 00779 DRAWING NO C-2199154 RESTRICTED TO -

MATERIAL - WEIGHT - CUSTOMER DRAWING SCALE 1:1 SHEET 3 OF 8 REV C8

THIS DRAWING IS UNPUBLISHED. RELEASED FOR PUBLICATION 20  
 © COPYRIGHT 20 TE CONNECTIVITY ALL RIGHTS RESERVED.

REVISIONS							
LOC	DIST	P	LTR	DESCRIPTION	DATE	DWN	APVD
-	-						



LONG LATCH TYPE

SOFT TRAY	BOARD LOCK	NATURAL	GREEN(375C)	0.00076 MIN	3.18	9-2199154-9
SOFT TRAY	BOARD LOCK	NATURAL	YELLOW(107C)	0.00076 MIN	3.18	9-2199154-8
SOFT TRAY	BOARD LOCK	NATURAL	BLUE(2935U)	0.00076 MIN	3.18	9-2199154-7
SOFT TRAY	BOARD LOCK	NATURAL	GREEN(375C)	0.00038 MIN	2.10	9-2199154-5
SOFT TRAY	BOARD LOCK	NATURAL	BLUE(2935U)	0.00038 MIN	2.10	9-2199154-4
SOFT TRAY	BOARD LOCK	NATURAL	BLUE(2935U)	0.00038 MIN	3.18	9-2199154-0
SOFT TRAY	BOARD LOCK	BLUE(2935U)	BLUE(2935U)	0.00038 MIN	2.10	8-2199154-0
SOFT TRAY	BOARD LOCK	BLUE(2935U)	BLUE(2935U)	0.00038 MIN	2.67	7-2199154-8
SOFT TRAY	BOARD LOCK	BLACK	BLACK	0.00076 MIN	3.18	7-2199154-6
SOFT TRAY	BOARD LOCK	BLUE(2935U)	BLUE(2935U)	0.00038 MIN	3.18	7-2199154-5
SOFT TRAY	BOARD LOCK	NATURAL	NATURAL	0.00038 MIN	3.18	7-2199154-4
SOFT TRAY	BOARD LOCK	BLACK	BLACK	0.00038 MIN	3.18	7-2199154-3
SOFT TRAY	BOARD LOCK	NATURAL	BLACK	0.00038 MIN	2.67	6-2199154-8
SOFT TRAY	BOARD LOCK	NATURAL	BLUE(2935U)	0.00038 MIN	2.67	6-2199154-7
SOFT TRAY	BOARD LOCK	NATURAL	YELLOW(107C)	0.00038 MIN	2.67	6-2199154-5
SOFT TRAY	BOARD LOCK	NATURAL	BLACK	0.00038 MIN	3.18	6-2199154-1
SOFT TRAY	BOARD LOCK	BLACK	BLACK	0.00038 MIN	2.40	5-2199154-9
SOFT TRAY	BOARD LOCK	NATURAL	NATURAL	0.00038 MIN	2.40	5-2199154-8
SOFT TRAY	BOARD LOCK	BLACK	BLACK	0.00076 MIN	2.40	5-2199154-7
SOFT TRAY	BOARD LOCK	NATURAL	NATURAL	0.00076 MIN	2.40	5-2199154-6
SOFT TRAY	BOARD LOCK	NATURAL	BLACK	0.00076 MIN	2.67	5-2199154-5
SOFT TRAY	BOARD LOCK	BLACK	BLACK	0.00076 MIN	2.67	5-2199154-4
SOFT TRAY	WIDER BOARD LOCK	NATURAL	BLACK	0.00038 MIN	2.10	5-2199154-3
SOFT TRAY	WIDER BOARD LOCK	NATURAL	BLUE(2935U)	0.00038 MIN	2.10	5-2199154-0
SOFT TRAY	WIDER BOARD LOCK	NATURAL	GREEN(375C)	0.00038 MIN	2.10	4-2199154-9
SOFT TRAY	BOARD LOCK	NATURAL	BLACK	0.00038 MIN	2.40	4-2199154-8
SOFT TRAY	BOARD LOCK	NATURAL	YELLOW(107C)	0.00038 MIN	2.40	4-2199154-7
SOFT TRAY	BOARD LOCK	BLUE(2935U)	BLUE(2935U)	0.00076 MIN	2.67	4-2199154-0
HARD TRAY	BOARD LOCK	BLUE(2935U)	BLUE(2935U)	0.00038 MIN	3.18	3-2199154-9
HARD TRAY	BOARD LOCK	BLACK	BLACK	0.00038 MIN	3.18	3-2199154-8
HARD TRAY	BOARD LOCK	BLUE(2935U)	BLUE(2935U)	0.00038 MIN	2.67	3-2199154-7
HARD TRAY	BOARD LOCK	BLACK	BLACK	0.00038 MIN	2.67	3-2199154-6
SOFT TRAY	BOARD LOCK	NATURAL	BLACK	0.00076 MIN	2.40	3-2199154-3
SOFT TRAY	BOARD LOCK	NATURAL	BLACK	0.00076 MIN	3.18	2-2199154-8
SOFT TRAY	BOARD LOCK	BLACK	BLACK	0.00038 MIN	2.10	1-2199154-9
SOFT TRAY	BOARD LOCK	NATURAL	NATURAL	0.00038 MIN	2.10	1-2199154-8
SOFT TRAY	BOARD LOCK	NATURAL	BLACK	0.00038 MIN	2.10	1-2199154-7
SOFT TRAY	BOARD LOCK	BLACK	BLACK	0.00038 MIN	2.67	2199154-9
SOFT TRAY	BOARD LOCK	NATURAL	NATURAL	0.00038 MIN	2.67	2199154-8
SOFT TRAY	BOARD LOCK	NATURAL	BLACK	0.00038 MIN	2.67	2199154-7
PACKING STYLE	HOUSING STYLE	EXTRACTOR COLOR	HOUSING COLOR	CONTACT GOLD INTERFACE	DIM A	PART NUMBER

THIS DRAWING IS A CONTROLLED DOCUMENT.

DWN RICHARD MA 18MAR2013  
 CHK SIMON LJ 18MAR2013  
 APVD COREI WANG 18MAR2013

**STE** TE Connectivity

NAME SOCKET ASSEMBLY  
 DDR4 DIMM, T/H TYPE  
 288 POSITION

PRODUCT SPEC 108-115067  
 APPLICATION SPEC 501-115076

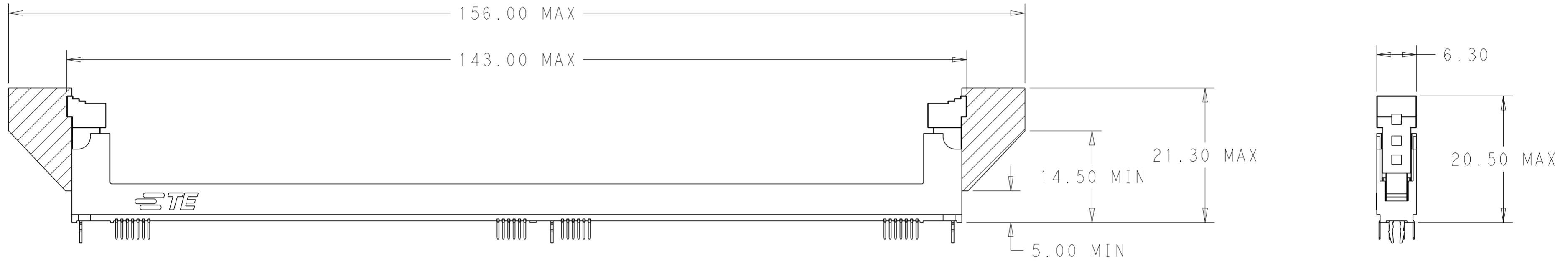
SIZE A2 CAGE CODE 00779 DRAWING NO C-2199154 RESTRICTED TO -

MATERIAL - WEIGHT -

CUSTOMER DRAWING SCALE 1:1 SHEET 4 OF 8 REV C8

THIS DRAWING IS UNPUBLISHED.      RELEASED FOR PUBLICATION      20  
 © COPYRIGHT 20      TE CONNECTIVITY      ALL RIGHTS RESERVED.

LOC		DIST		REVISIONS			
P	LTR	DESCRIPTION	DATE	DWN	APVD		
-	-	SEE SHEET 1	-	-	-		



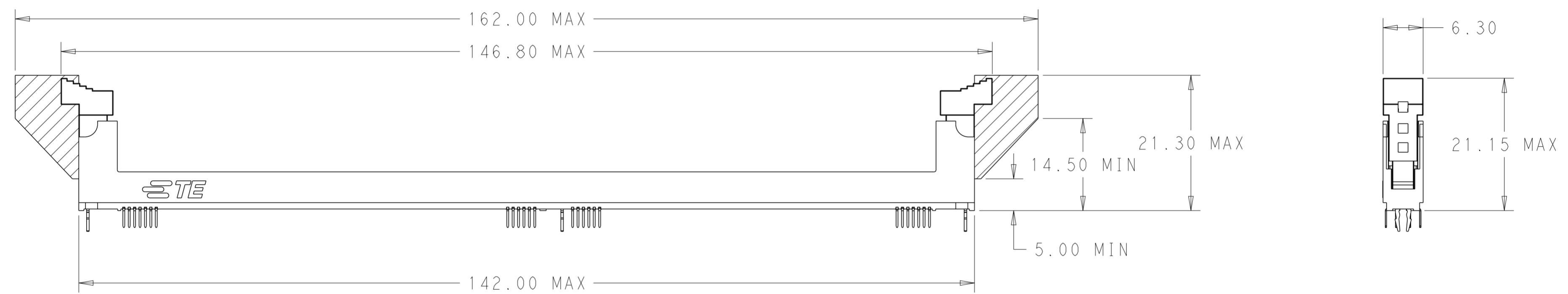
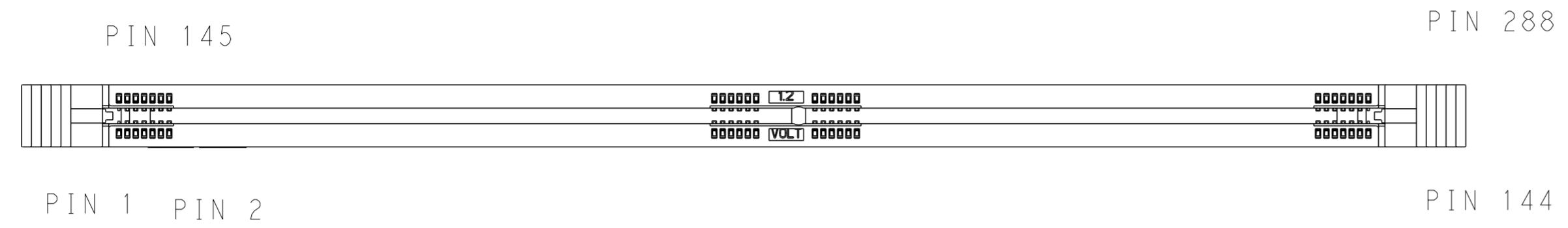
MIDDLE LATCH TYPE

SOFT TRAY	BOARD LOCK	NATURAL	NATURAL	0.00076 MIN	2.67	3-2199154-5
SOFT TRAY	BOARD LOCK	NATURAL	NATURAL	0.00038 MIN	2.67	3-2199154-4
PACKING STYLE	HOUSING STYLE	EXTRACTOR COLOR	HOUSING COLOR	CONTACT GOLD INTERFACE	DIM A	PART NUMBER

THIS DRAWING IS A CONTROLLED DOCUMENT.		DWN RICHARD MA 18MAR2013	<b>STE</b> TE Connectivity
DIMENSIONS: mm		CHK SIMON LI 18MAR2013	
TOLERANCES UNLESS OTHERWISE SPECIFIED: 0 PLC ±1 1 PLC ±0.25 2 PLC ±0.15 3 PLC ±0.10 4 PLC ± ANGLES ± FINISH		APVD COREI WANG 18MAR2013	NAME SOCKET ASSEMBLY DDR4 DIMM, T/H TYPE 288 POSITION
MATERIAL		PRODUCT SPEC 108-115067	SIZE A2
		APPLICATION SPEC 501-115076	CAGE CODE 00779
		WEIGHT -	DRAWING NO C-2199154
		CUSTOMER DRAWING	RESTRICTED TO -
		SCALE 1:1	SHEET 5 OF 8
			REV C8

THIS DRAWING IS UNPUBLISHED. RELEASED FOR PUBLICATION 20  
 © COPYRIGHT 20 TE CONNECTIVITY ALL RIGHTS RESERVED.

LOC		DIST		REVISIONS			
P	LTR	DESCRIPTION	DATE	DWN	APVD		
-	-	SEE SHEET 1	-	-	-		



SOFT TRAY	BOARD LOCK	NATURAL	BLUE(2935U)	BLUE(2935U)	0.00038 MIN	3.18	4-2199154-3
SOFT TRAY	BOARD LOCK	NATURAL	BLACK	BLACK	0.00038 MIN	3.18	4-2199154-4
PACKING STYLE	HOUSING STYLE	EXTRACTOR COLOR (LEFT)	EXTRACTOR COLOR (RIGHT)	HOUSING COLOR	CONTACT GOLD INTERFACE	DIM A	PART NUMBER

THIS DRAWING IS A CONTROLLED DOCUMENT.

DWN	RICHARD MA	18MAR2013
CHK	SIMON LI	18MAR2013
APVD	COREI WANG	18MAR2013

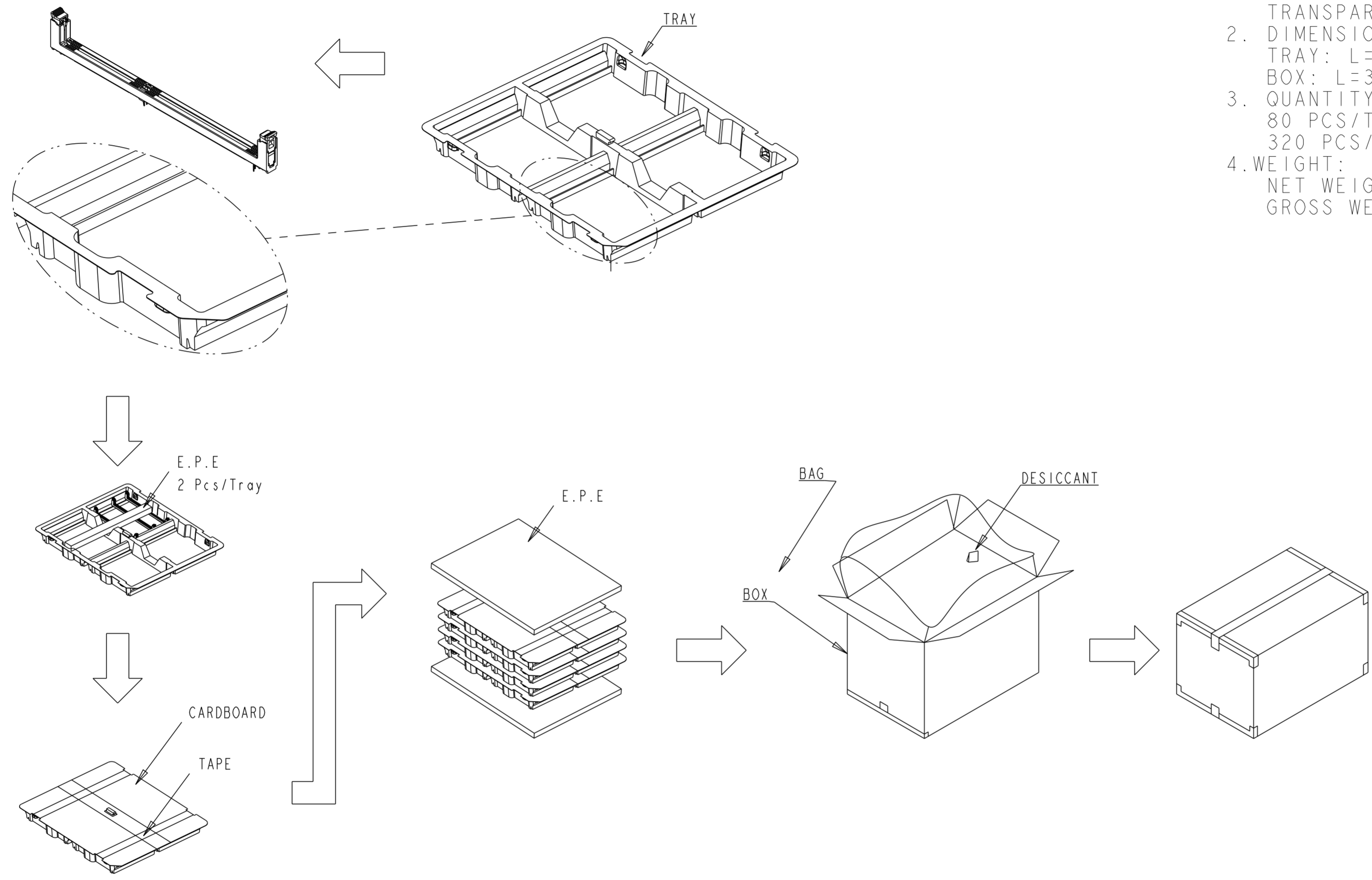
NAME: SOCKET ASSEMBLY  
 DDR4 DIMM, T/H TYPE  
 288 POSITION

SIZE	CAGE CODE	DRAWING NO	RESTRICTED TO
A2	00779	C-2199154	-

MATERIAL: - FINISH: - WEIGHT: -  
 CUSTOMER DRAWING SCALE 1:1 SHEET 6 OF 8 REV C8

THIS DRAWING IS UNPUBLISHED. RELEASED FOR PUBLICATION 20  
 © COPYRIGHT 20 TE CONNECTIVITY ALL RIGHTS RESERVED.

LOC		DIST		REVISIONS			
P	LTR	DESCRIPTION	DATE	DWN	APVD		
-	-						



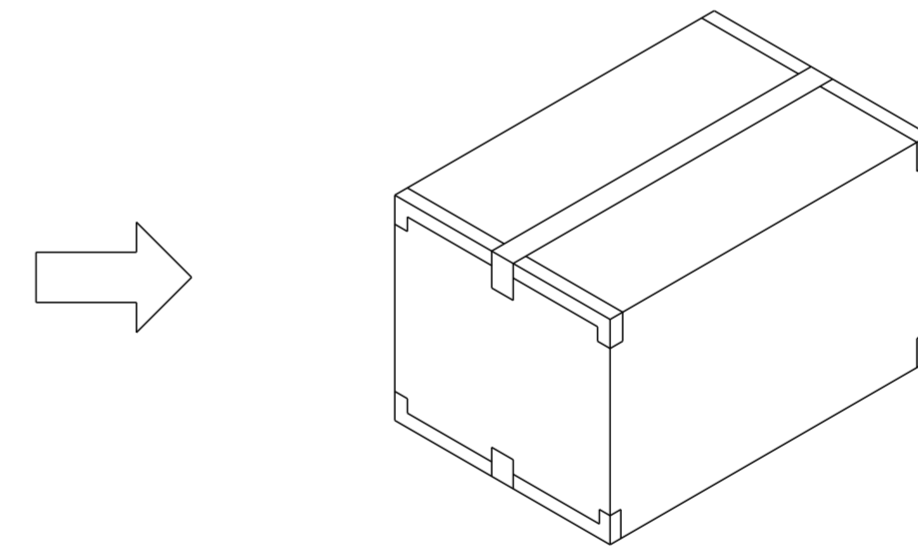
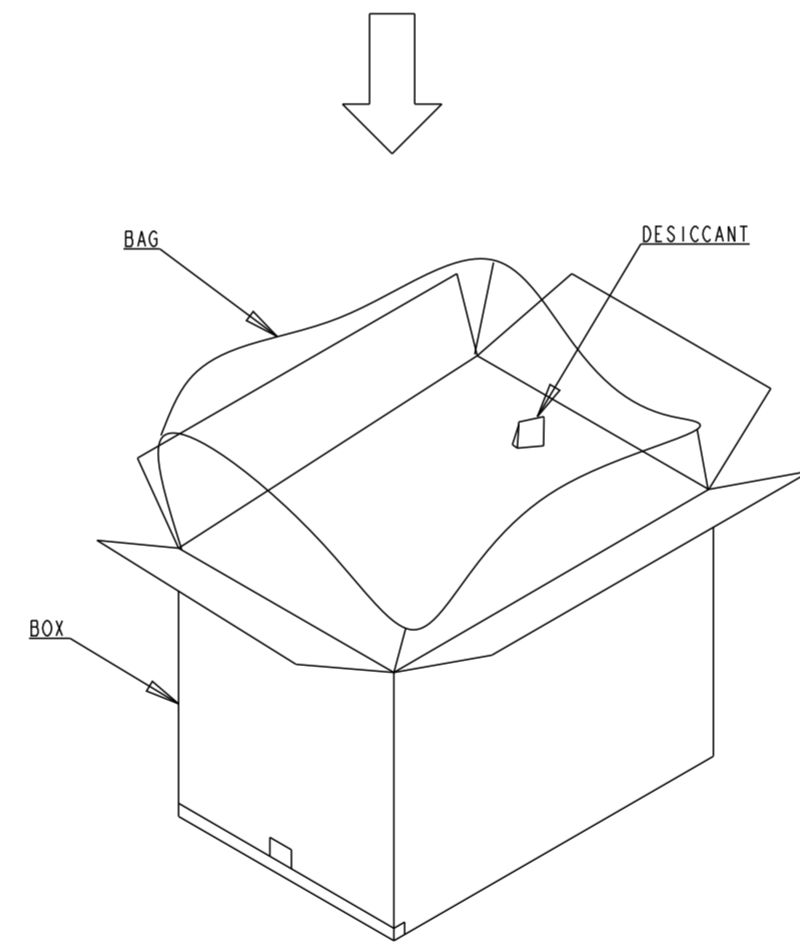
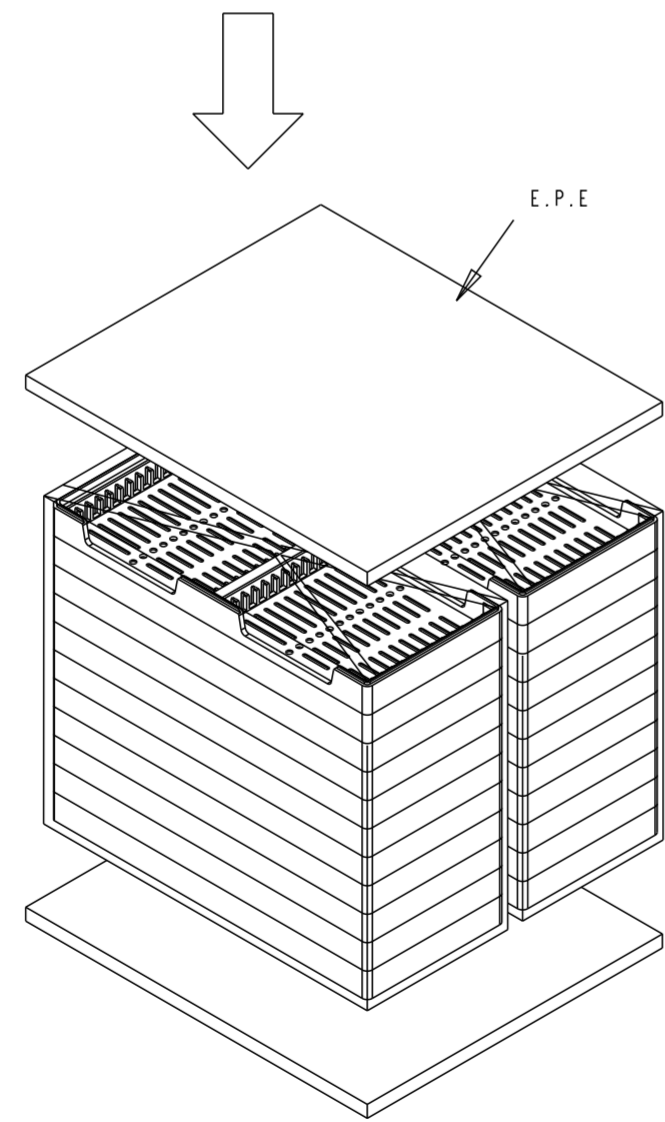
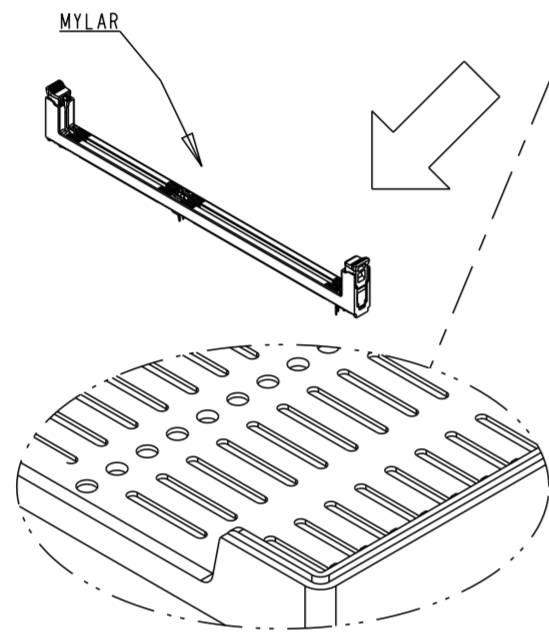
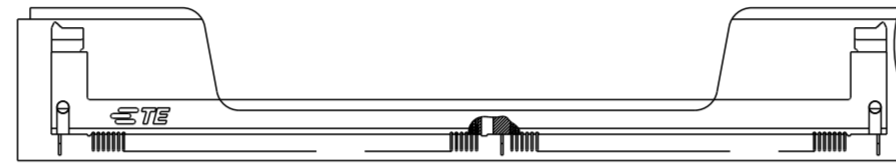
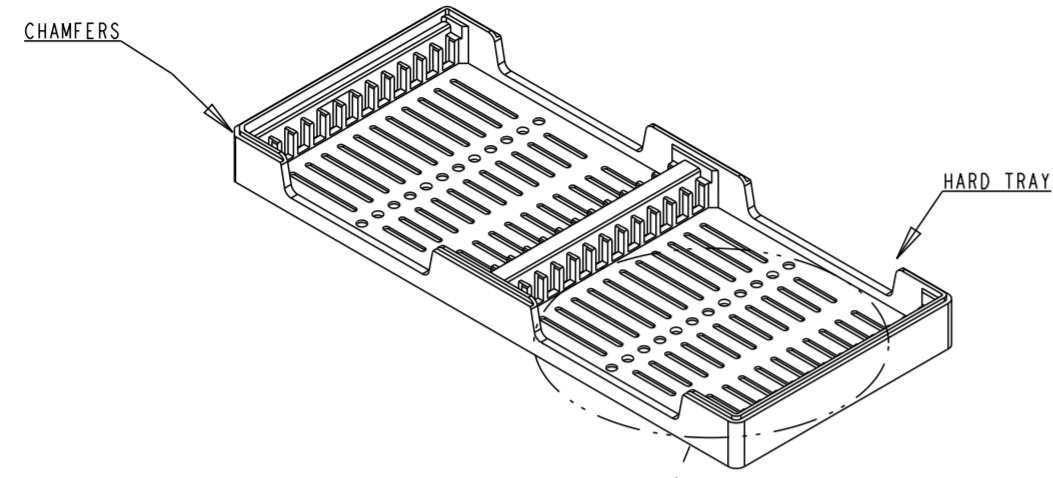
- MATERIALS :  
 TRAY: PVC, COLOR: TRANSPARENT  
 BOX: CORRUGATED FIBERBOARD  
 TRANSPARENT BAG: PE
- DIMENSIONS:  
 TRAY: L=343;W=305;H=32.5  
 BOX: L=365;W=323;H=200
- QUANTITY:  
 80 PCS/TRAY  
 320 PCS/BOX
- WEIGHT:  
 NET WEIGHT: 1.9KG  
 GROSS WEIGHT: 3.4KG

### SOFT TRAY PACKING

THIS DRAWING IS A CONTROLLED DOCUMENT.		DWN RICHARD MA 18MAR2013	TE Connectivity															
DIMENSIONS: mm		CHK SIMON LI 18MAR2013																
TOLERANCES UNLESS OTHERWISE SPECIFIED:		APVD COREI WANG 18MAR2013	NAME SOCKET ASSEMBLY DDR4 DIMM, T/H TYPE 288 POSITION															
<table border="0"> <tr> <td>0 PLC</td><td>±1</td> </tr> <tr> <td>1 PLC</td><td>±0.25</td> </tr> <tr> <td>2 PLC</td><td>±0.15</td> </tr> <tr> <td>3 PLC</td><td>±0.10</td> </tr> <tr> <td>4 PLC</td><td>±</td> </tr> <tr> <td>ANGLES</td><td>±</td> </tr> <tr> <td>FINISH</td><td>±</td> </tr> </table>		0 PLC	±1	1 PLC	±0.25	2 PLC	±0.15	3 PLC	±0.10	4 PLC	±	ANGLES	±	FINISH	±	PRODUCT SPEC 108-115067	SIZE A200779	
0 PLC	±1																	
1 PLC	±0.25																	
2 PLC	±0.15																	
3 PLC	±0.10																	
4 PLC	±																	
ANGLES	±																	
FINISH	±																	
MATERIAL		APPLICATION SPEC 501-115076	DRAWING NO C-2199154															
		WEIGHT -	RESTRICTED TO -															
		CUSTOMER DRAWING	SCALE 1:1 SHEET 7 OF 8 REV C8															

THIS DRAWING IS UNPUBLISHED. RELEASED FOR PUBLICATION 20  
 © COPYRIGHT 20 TE CONNECTIVITY ALL RIGHTS RESERVED.

LOC		DIST		REVISIONS			
P	LTR	DESCRIPTION	DATE	DWN	APVD		
-	-						



- MATERIALS :  
 TRAY: HIPS, COLOR: BLACK  
 BOX: CORRUGATED FIBERBOARD  
 TRANSPARENT BAG: PE
- DIMENSIONS:  
 TRAY: L=326;W=136;H=28.2  
 BOX: L=323;W=285;H=335
- QUANTITY:  
 24 PCS/TRAY  
 480 PCS/BOX
- WEIGHT:  
 NET WEIGHT: 3.0KG  
 GROSS WEIGHT: 6.7KG

# HARD TRAY PACKING

THIS DRAWING IS A CONTROLLED DOCUMENT.		DWN 18MAR2013 RICHARD MA	<b>STE</b> TE Connectivity	
		CHK 18MAR2013 SIMON LI		
DIMENSIONS: mm		APVD 18MAR2013 COREI WANG	NAME SOCKET ASSEMBLY DDR4 DIMM, T/H TYPE 288 POSITION	
TOLERANCES UNLESS OTHERWISE SPECIFIED: 0 PLC ±1 1 PLC ±0.25 2 PLC ±0.15 3 PLC ±0.10 4 PLC ± ANGLES ± FINISH		PRODUCT SPEC 108-115067	SIZE A200779	CAGE CODE C-2199154
MATERIAL		APPLICATION SPEC 501-115076	DRAWING NO	RESTRICTED TO
		WEIGHT -	SCALE 1:1	SHEET 8 OF 8 REV C8
		CUSTOMER DRAWING		



## X-ON Electronics

Largest Supplier of Electrical and Electronic Components

*Click to view similar products for [DIMM Connectors](#) category:*

*Click to view products by [TE Connectivity](#) manufacturer:*

Other Similar products are found below :

[1-1932649-2](#) [1-1761024-0](#) [2309411-5](#) [296409204002856+](#) [10116658-252ASLF](#) [5390471-1](#) [2309413-3](#) [78507-0061](#) [KIT-SODIMM-1X16GB/01](#) [10129206-0010013LF](#) [10086891-052TSLF](#) [10079192-11102LF](#) [10116658-152FSLF](#) [10129206-0011113LF](#) [1-2308107-0](#) [2013310-1](#) [2013289-1](#) [390111-1](#) [390112-1](#) [2309413-1](#) [2309407-1](#) [2309414-1](#) [10081530-12208LF](#) [151080-0001](#) [78726-1004](#) [10005639-11107LF](#) [10005639-11109LF](#) [10005639-12207LF](#) [10023061-10207LF](#) [10033853-252FSLF](#) [10033853-052ASLF](#) [10033853-052FSLF](#) [10033853-152FSLF](#) [10033854-052FSLF](#) [10034542-10002LF](#) [10037402-12207LF](#) [10081530-11107LF](#) [10081530-12207LF](#) [10081530-12218LF](#) [10124632-0030001LF](#) [10124806-01006LF](#) [10145891-0320J13LF](#) [10145226-0241N13LF](#) [59354-052FSLF](#) [59355-052FSLF](#) [DDR4288S0211TF](#) [DDR4288S0511H](#) [DDR4288S0511TF](#) [DDR4288V0123TF](#) [DDR4288V0213TF](#)