

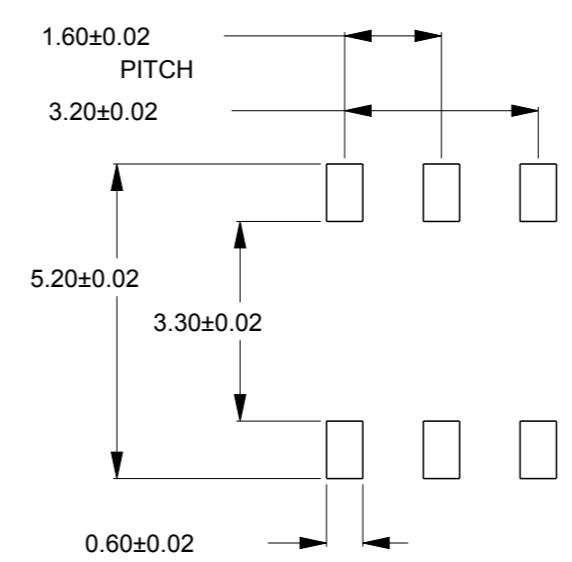
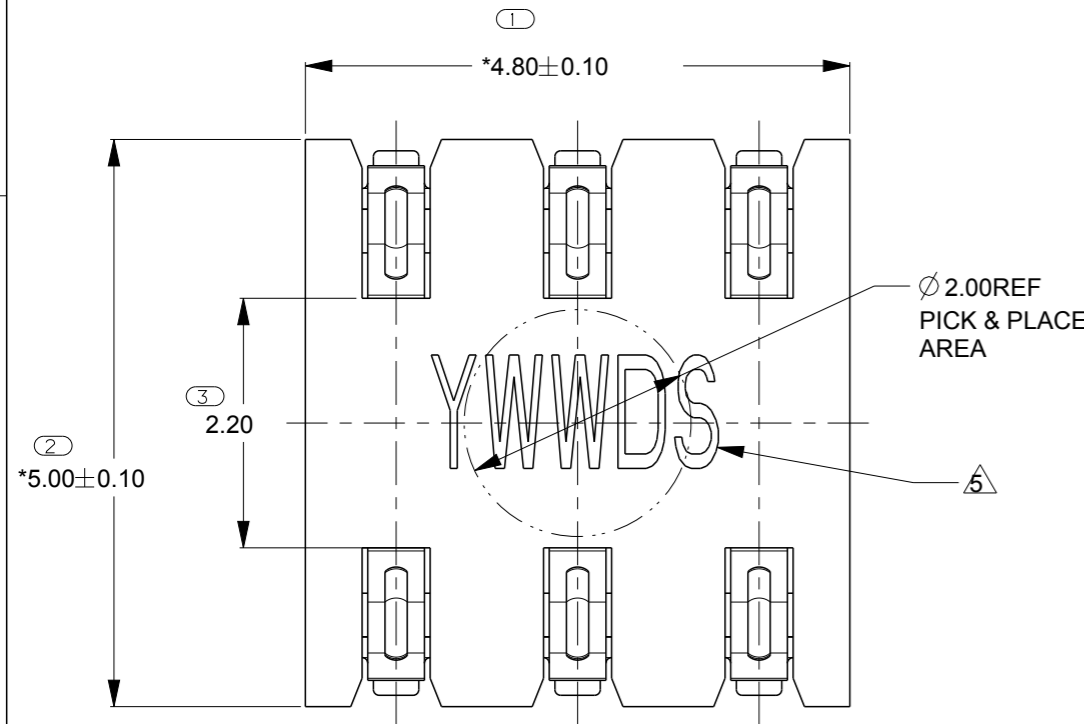
LOC
ES

DIST

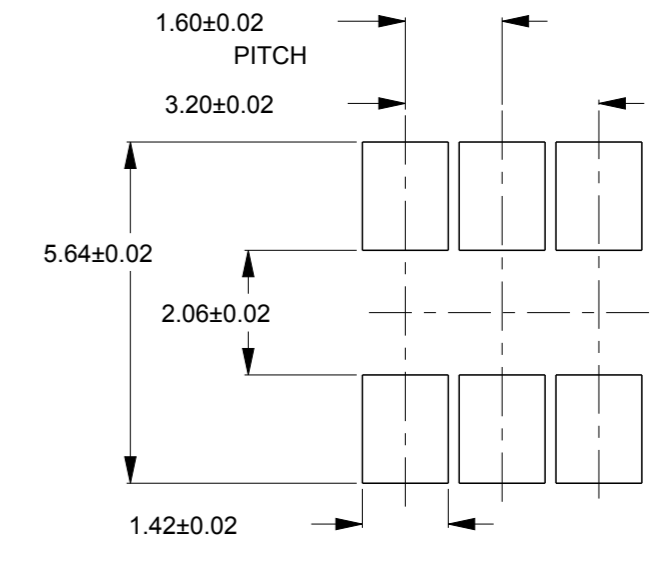
REVISIONS

P	LTR	DESCRIPTION	DATE	DWN	APVD
A		INITIAL	13NOV2013	R.W	W.H
A2		REVISED PER ECR-18-010822	10JUL2018	E.Z	W.H

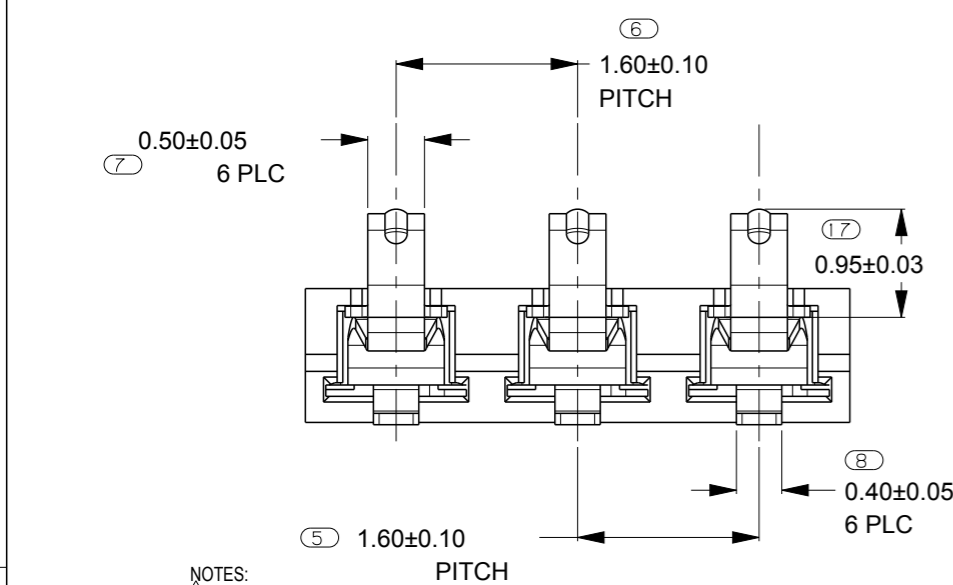
PART NUMBER:2199170-1



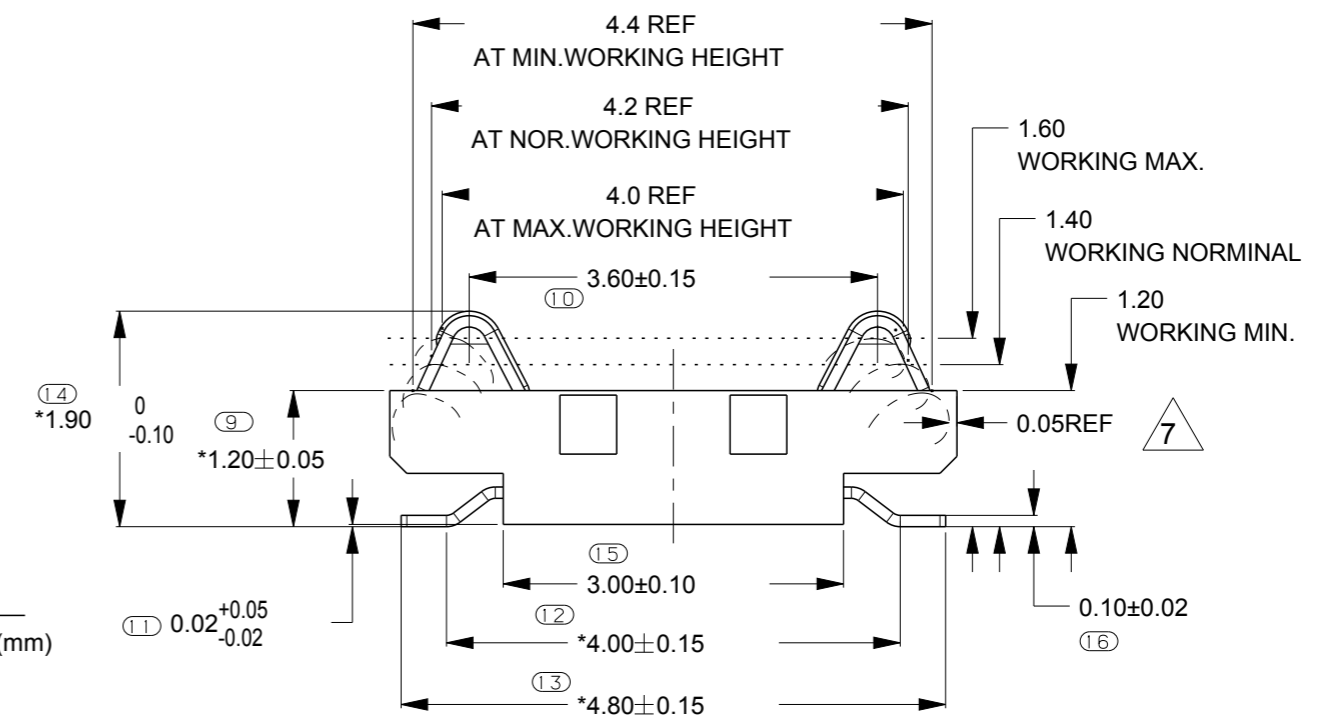
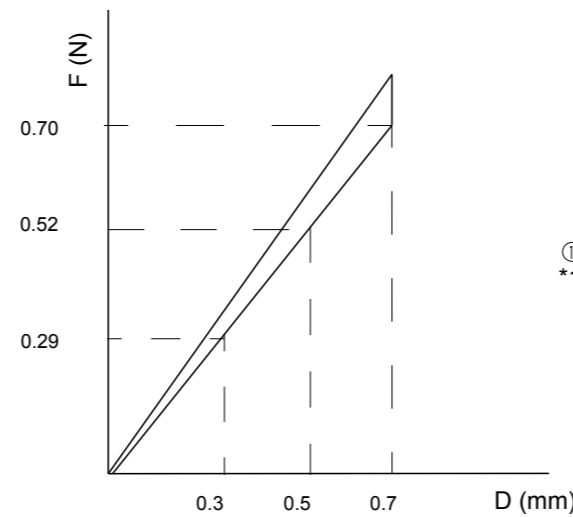
RECOMMEND PWB LAYOUT



RECOMMEND MATING LAYOUT



NORMAL FORCE CURVE

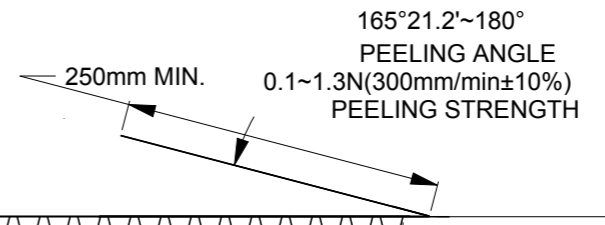
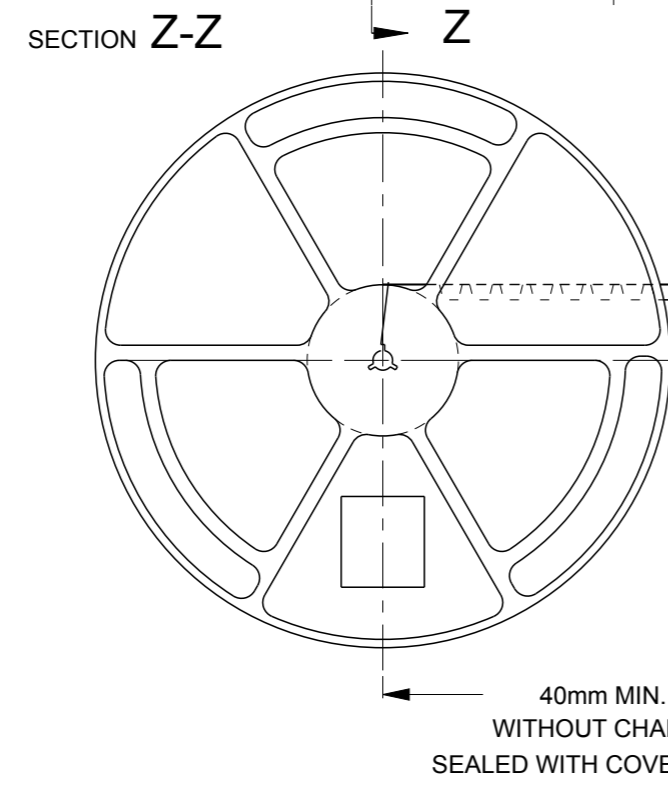
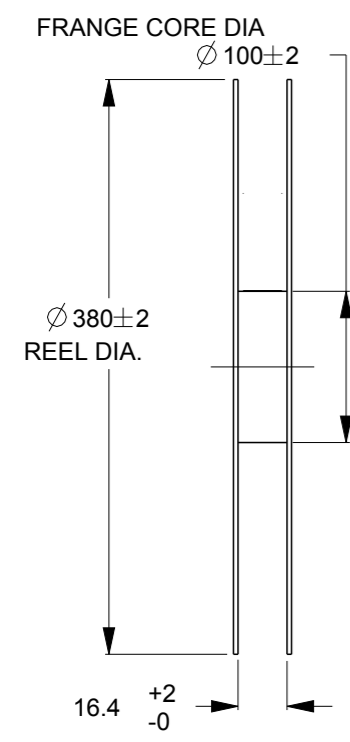
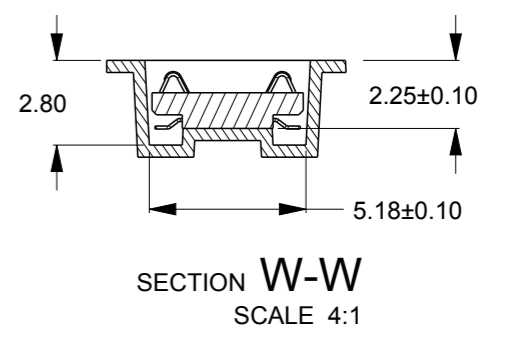
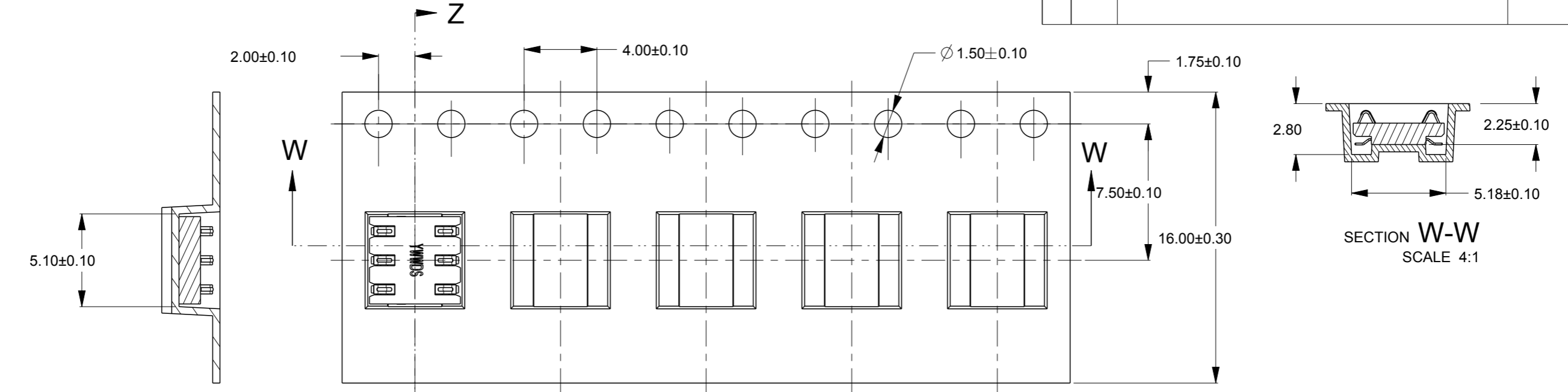


- NOTES:
- 1 MATERIAL
TERMINAL : PHOSPHOR BRONZE C5210HF, THICKNESS 0.10mm.
HOUSING : HIGH TEMPERATURE THERMO PLASTIC
UL94V-0 BLACK
 - 2 FINISH
TERMINAL : 0.1-0.2 μ m GOLD PLATING ON CONTACT AREA,
1.27 MIN. NICKLE UNDER PLATING,
0.025-0.075 μ m GOLD PLATING ON SOLDING AREA.
 - 3 COPLANARITY : BEFORE REFLOW 0.08 MAX, AFTER REFLOW 0.1MAX
 - 4 PACKAGING : TAPE & REEL.
 - 5 DATE CODE: "YWWDS"
YWW = PRODUCTION DATE (YEAR, WEEK, DAY).
S = SHIFT (D=DYA, N=NIGHT)
 - 6 CONTACT CAN NOT TOUCH PCB & TAIL WHEN PRESS TO HOUSING SURFACE.
 - 7 CONTACT CAN NOT EXCEED HOUSING EDGE WHEN PRESS TO HOUSING SURFACE
 - 8 * MEANS KEY DIMENSIONS FOR CUSTOMER

THIS DRAWING IS A CONTROLLED DOCUMENT.		DWN	13NOV2013	 TE Connectivity	NAME ONE PIECE BtoB CONNECTOR 6 PINS, 1.6MM PITCH, H1.4, TWO ROWS
DIMENSIONS: mm		CHK	13NOV2013		
TOLERANCES UNLESS OTHERWISE SPECIFIED: ± 0.15		APVD	13NOV2013		
ϕ -PLC \pm 1-PLC \pm 2-PLC \pm 3-PLC \pm 4-PLC \pm ANGLES $\pm 3^\circ$		PRODUCT SPEC	-	SIZE	A3
MATERIAL		FINISH	-	APPLICATION SPEC	-
 1		 2		WEIGHT	-
 3		 4		WENKE HE	-
 5		 6		WENKE HE	-
 7		 8		WENKE HE	-
 9		 10		WENKE HE	-
 11		 12		WENKE HE	-
 13		 14		WENKE HE	-
 15		 16		WENKE HE	-
 17		 18		WENKE HE	-
 19		 20		WENKE HE	-
 21		 22		WENKE HE	-
 23		 24		WENKE HE	-
 25		 26		WENKE HE	-
 27		 28		WENKE HE	-
 29		 30		WENKE HE	-
 31		 32		WENKE HE	-
 33		 34		WENKE HE	-
 35		 36		WENKE HE	-
 37		 38		WENKE HE	-
 39		 40		WENKE HE	-
 41		 42		WENKE HE	-
 43		 44		WENKE HE	-
 45		 46		WENKE HE	-
 47		 48		WENKE HE	-
 49		 50		WENKE HE	-
 51		 52		WENKE HE	-
 53		 54		WENKE HE	-
 55		 56		WENKE HE	-
 57		 58		WENKE HE	-
 59		 60		WENKE HE	-
 61		 62		WENKE HE	-
 63		 64		WENKE HE	-
 65		 66		WENKE HE	-
 67		 68		WENKE HE	-
 69		 70		WENKE HE	-
 71		 72		WENKE HE	-
 73		 74		WENKE HE	-
 75		 76		WENKE HE	-
 77		 78		WENKE HE	-
 79		 80		WENKE HE	-
 81		 82		WENKE HE	-
 83		 84		WENKE HE	-
 85		 86		WENKE HE	-
 87		 88		WENKE HE	-
 89		 90		WENKE HE	-
 91		 92		WENKE HE	-
 93		 94		WENKE HE	-
 95		 96		WENKE HE	-
 97		 98		WENKE HE	-
 99		 100		WENKE HE	-
 101		 102		WENKE HE	-
 103		 104		WENKE HE	-
 105		 106		WENKE HE	-
 107		 108		WENKE HE	-
 109		 110		WENKE HE	-
 111		 112		WENKE HE	-
 113		 114		WENKE HE	-
 115		 116		WENKE HE	-
 117		 118		WENKE HE	-
 119		 120		WENKE HE	-
 121		 122		WENKE HE	-
 123		 124		WENKE HE	-
 125		 126		WENKE HE	-
 127		 128		WENKE HE	-
 129		 130		WENKE HE	-
 131		 132		WENKE HE	-
 133		 134		WENKE HE	-
 135		 136		WENKE HE	-
 137		 138		WENKE HE	-
 139		 140		WENKE HE	-
 141		 142		WENKE HE	-
 143		 144		WENKE HE	-
 145		 146		WENKE HE	-
 147		 148		WENKE HE	-
 149		 150		WENKE HE	-
 151		 152		WENKE HE	-
 153		 154		WENKE HE	-
 155		 156		WENKE HE	-
 157		 158		WENKE HE	-
 159		 160		WENKE HE	-
 161		 162		WENKE HE	-
 163		 164		WENKE HE	-
 165		 166		WENKE HE	-
 167		 168		WENKE HE	-
 169		 170		WENKE HE	-
 171		 172		WENKE HE	-
 173		 174		WENKE HE	-
 175		 176		WENKE HE	-
 177		 178		WENKE HE	-
 179		 180		WENKE HE	-
 181		 182		WENKE HE	-
 183		 184		WENKE HE	-
 185		 186		WENKE HE	-
 187		 188		WENKE HE	-
 189		 190		WENKE HE	-
 191		 192		WENKE HE	-
 193		 194		WENKE HE	-
 195		 196		WENKE HE	-
 197		 198		WENKE HE	-
 199		 200		WENKE HE	-
 201		 202		WENKE HE	-
 203		 204		WENKE HE	-
 205		 206		WENKE HE	-
 207		 208		WENKE HE	-
 209		 210		WENKE HE	-
 211		 212		WENKE HE	-
 213		 214		WENKE HE	-
 215		 216		WENKE HE	-
 217		 218		WENKE HE	-
 219		 220		WENKE HE	-
 221		 222		WENKE HE	-
 223		 224		WENKE HE	-
 225		 226		WENKE HE	-
 227		 228		WENKE HE	-
 229		 230		WENKE HE	-
 231		 232		WENKE HE	-
 233		 234		WENKE HE	-
 235		 236		WENKE HE	-
 237		 238		WENKE HE	-
 239		 240		WENKE HE	-
 241		 242		WENKE HE	-
 243		 244		WENKE HE	-
 245		 246		WENKE HE	-
 247		 248		WENKE HE	-
 249		 250			


THIS DRAWING IS UNPUBLISHED. RELEASED FOR PUBLICATION 20
 © COPYRIGHT 20 ALL RIGHTS RESERVED.

LOC	DIST	REVISIONS			
P	LTR	DESCRIPTION	DATE	DWN	APVD
ES		SEE SHEET 1			



250mm MIN.
 WITH PRODUCT CHARGE 3500 PCS/1 REEL
 100mm MIN. WITHOUT CHARGE SEALED WITH COVER TAPE

NOTES:
 1. MATERIAL: P.S CLEAR, 0.4MM THICKNESS.
 2. QUANTITY PER REEL: 3500 PIECES.

THIS DRAWING IS A CONTROLLED DOCUMENT.		DWN	RAY WANG	13NOV2013	 TE Connectivity			
DIMENSIONS: mm		CHK	WENKE HE	13NOV2013				
TOLERANCES UNLESS OTHERWISE SPECIFIED: ± 0.20		APVD	WENKE HE	13NOV2013				
0.PLC ± 1.PLC ± 2.PLC ± 3.PLC ± 4.PLC ± ANGLES ±3°		PRODUCT SPEC	NAME					
MATERIAL	FINISH	WEIGHT	ONE PIECE BtoB CONNECTOR 6 PINS, 1.6MM PITCH, H1.4, TWO ROWS		RESTRICTED TO			
1	2	-	SIZE	A3	CAGE CODE	00779	DRAWING NO	C-2199170
CUSTOMER DRAWING			SCALE	20:1	SHEET	2 OF 2	REV	A2

X-ON Electronics

Largest Supplier of Electrical and Electronic Components

Click to view similar products for [Board to Board & Mezzanine Connectors](#) category:

Click to view products by [TE Connectivity](#) manufacturer:

Other Similar products are found below :

[10135583-642402LF](#) [89885-310LF](#) [589158040000018](#) [6-1393048-0](#) [68683-613](#) [MDF7-12DP-2.54DSA](#) [MDF7-18P-2.54DSA\(01\)](#) [MDF7-20DP-2.54DSA](#) [MDF7-26D-2.54DSA\(55\)](#) [MDF7-3P-2.54DSA\(01\)](#) [MDF7B-20P-2.54DSA\(01\)](#) [MDF7B-3P-2.54DSA\(55\)](#) [MDF7C-18P-2.54DSA\(55\)](#) [MDF7P-5P-2.54DSA\(55\)](#) [75234-0516](#) [FCN-230C068-11](#) [FCN-268F012-G/BD](#) [FCN-268F036-G/BD](#) [FCN-268M012-G/0D](#) [FCN-268M024-G/1D](#) [FCN-360C008-C](#) [FCN-723J004/1](#) [MIS-048-01-F-D-DP-K](#) [832-10-034-10-001000](#) [93696-325LF](#) [11828-1FA](#) [AXK630345P](#) [18097-0013](#) [2007042-2](#) [304400-2](#) [FCN-214Q030-G/0](#) [FCN-215Q040-G/0](#) [FCN-230C068-ESA](#) [FCN-234P048-G/0](#) [FCN-235D050-G/C](#) [FCN-360A3](#) [FCN-360C040-B](#) [210-93-314-41-105000](#) [2-22603-0](#) [379-064-521-202](#) [MDF7-12P-2.54DSA\(01\)](#) [MDF7-16P-2.54DS\(56\)](#) [MDF7-16P-2.54DSA\(55\)](#) [MDF7-40DP-2.54DSA\(55\)](#) [MDF7-8P-2.54DSA\(55\)](#) [AXG720047](#) [5031084030](#) [55323-1519](#) [DF33-2P-3.3DSA\(24\)](#) [DF33-2S-3.3C](#)