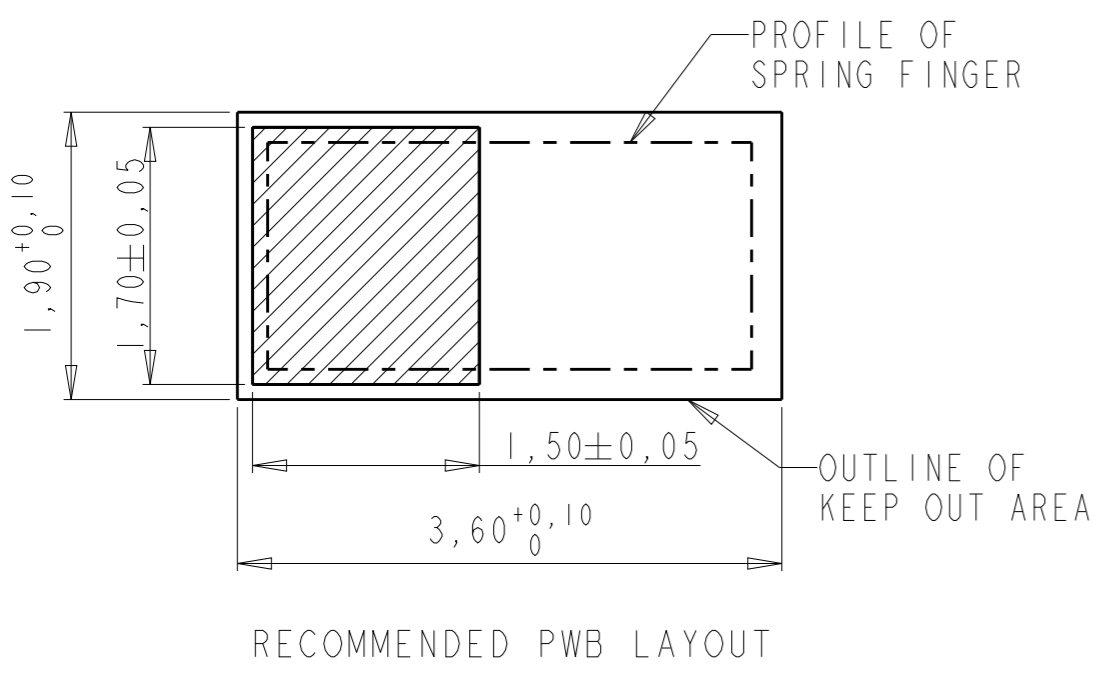
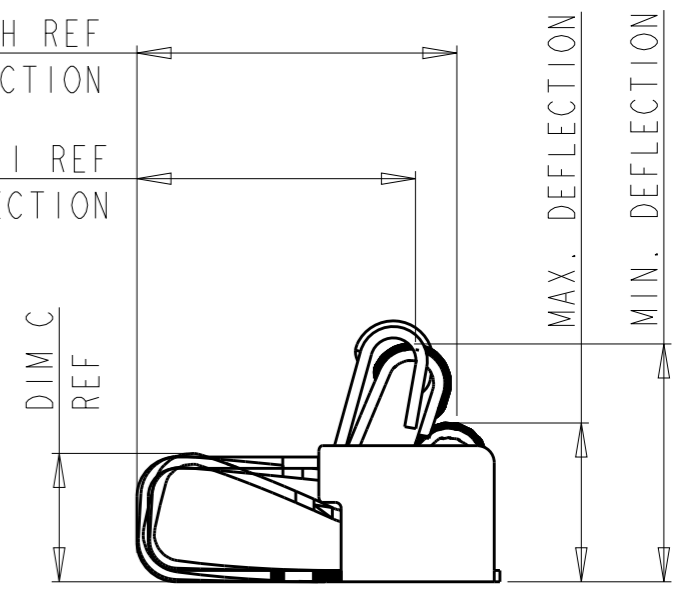
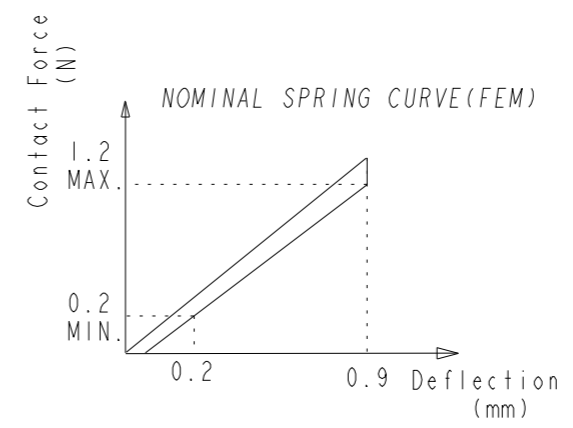
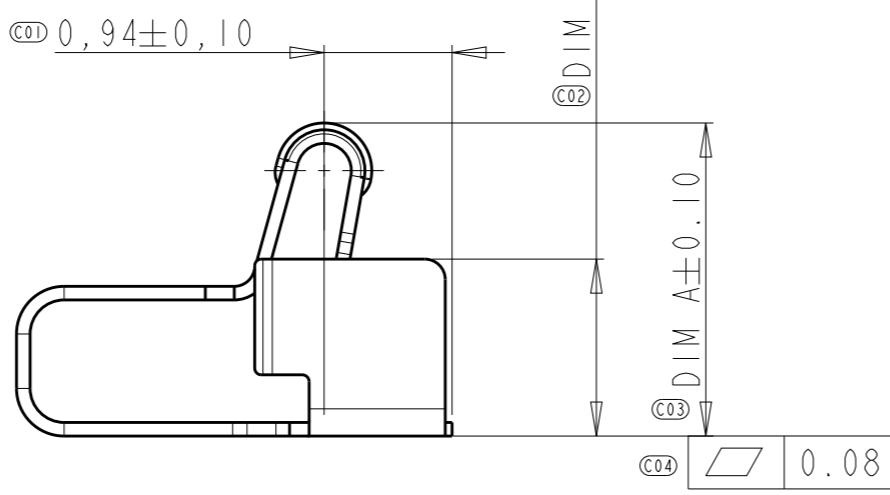
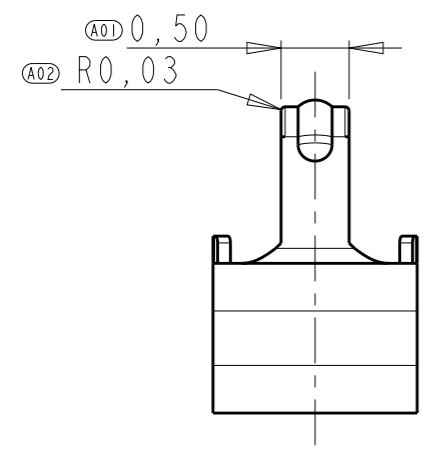
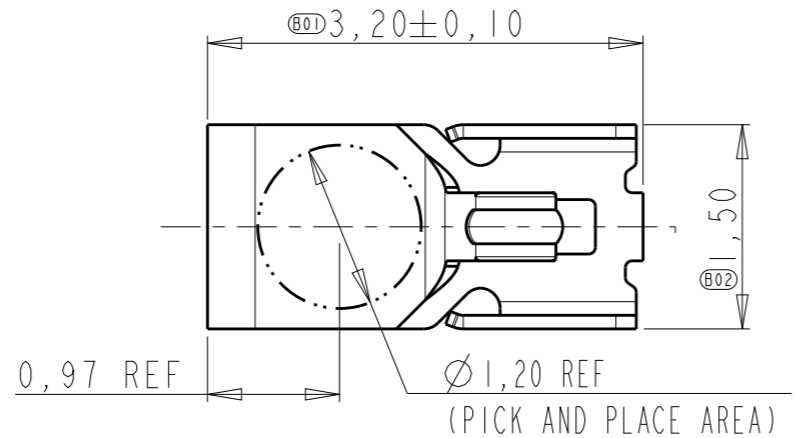
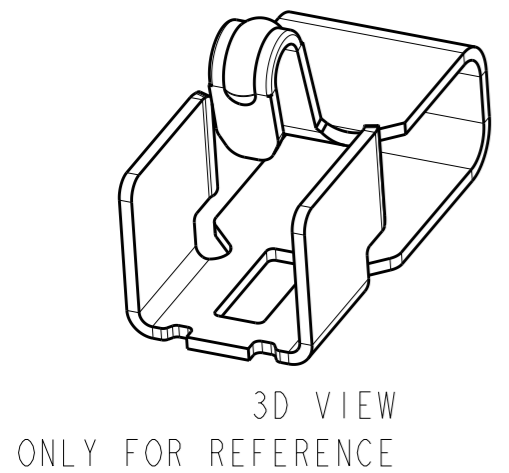


THIS DRAWING IS UNPUBLISHED. RELEASED FOR PUBLICATION
 © COPYRIGHT - BY - ALL RIGHTS RESERVED.

LOC	DIST	REVISIONS			
P	LTR	DESCRIPTION	DATE	DWN	APVD
ES	00	A	RELEASED	23JUL2014	J. J W. H
		AI	ECR-14-015254	15OCT2014	T. Q W. H

TE P/N	DIM A	DIM B	DIM C	DIM H	DIM I	WORK RANGE	QUANTITY
2199249-3	2.0	1.0	0.83	2.76	2.40	1.1~1.8	7000
2199249-4	2.3	1.3	1.13	2.80	2.44	1.4~2.1	6000

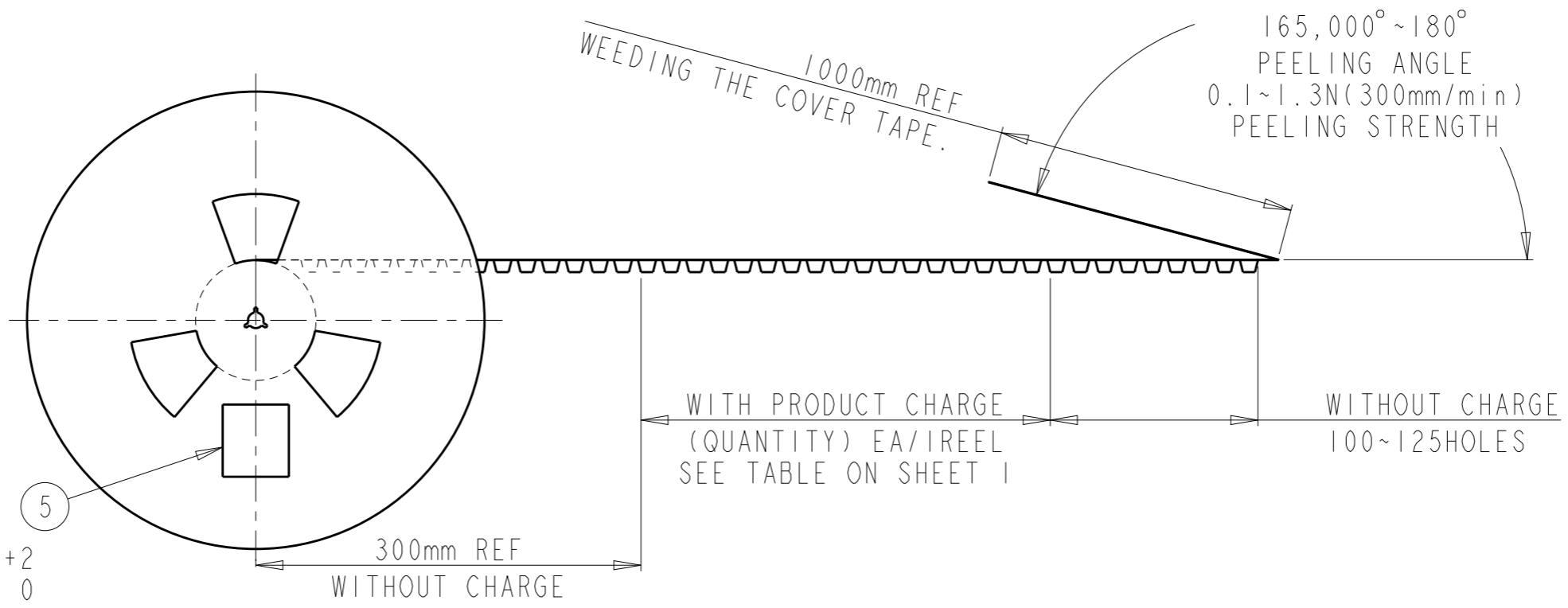
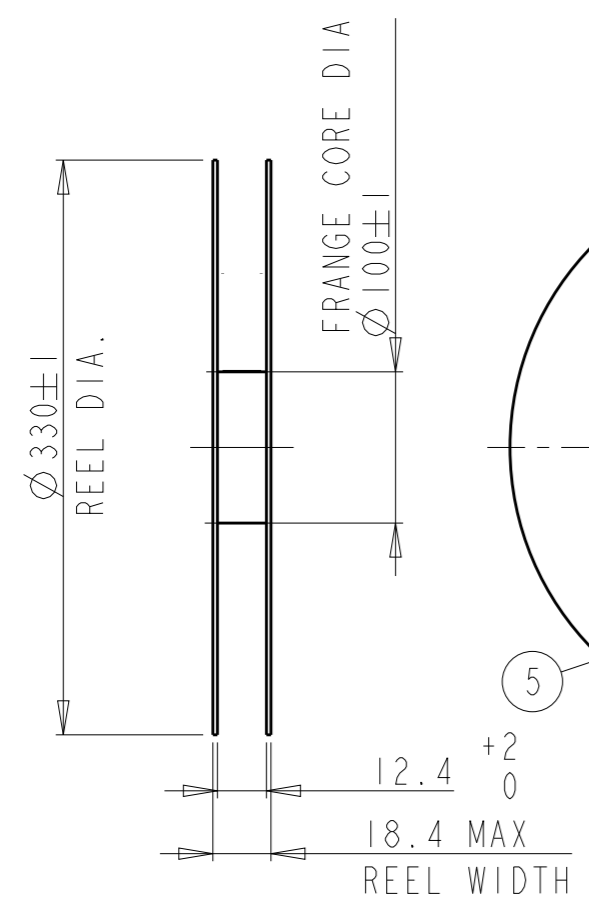
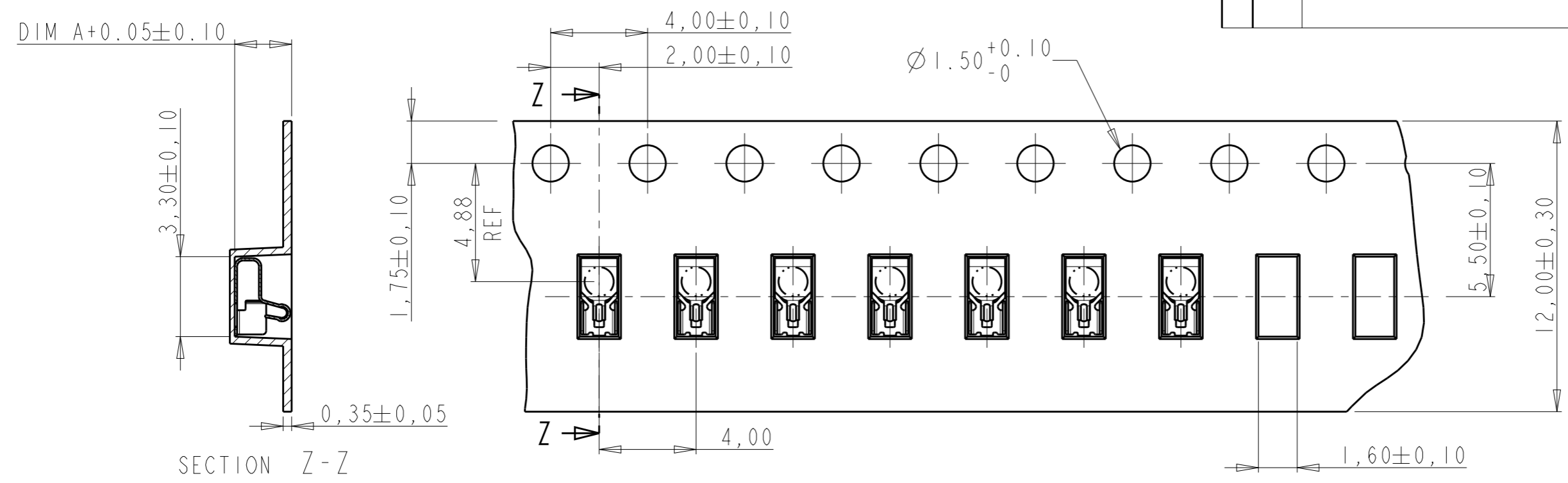


- 1 PART NUMBER: SEE TABLE.
- 2 MATERIAL: PHOSPHOR BRONZE, THICKNESS=0.10MM.
- 3 PLATING: 2um MIN. NICKEL UNDERLAYER ALL OVER
0,50um MIN. GOLD ON CONTACT SURFACE
GOLD FLASH ON SOLDERING SURFACE
- 4 PICK AND PLACE SURFACE Ø1.2MM.

THIS DRAWING IS A CONTROLLED DOCUMENT.		DWN 18JAN2013 Tony Zhang	TE Connectivity		
DIMENSIONS: mm		CHK 18JAN2013 Wenke He			
TOLERANCES UNLESS OTHERWISE SPECIFIED:		APVD 18JAN2013 Wenke He	NAME SPRING FINGER TYPE B		
0 PLC ±0.2 1 PLC ±0.15 2 PLC ±0.15 3 PLC ±0.10 4 PLC ANGLES ±5°		PRODUCT SPEC 108-115061-1	RESTRICTED TO		
MATERIAL		APPLICATION SPEC	SIZE A3	CAGE CODE 00779	DRAWING NO C-2199249
FINISH		WEIGHT	SCALE 25:1 SHEET 1 OF 2 REV AI		
		CUSTOMER DRAWING			

THIS DRAWING IS UNPUBLISHED. RELEASED FOR PUBLICATION
 © COPYRIGHT BY ALL RIGHTS RESERVED.

LOC	DIST	REVISIONS					
ES	00	P	LTR	DESCRIPTION	DATE	DWN	APVD



THIS DRAWING IS A CONTROLLED DOCUMENT.		DWN Tony Zhang 18JAN2013	TE Connectivity	
DIMENSIONS: mm		CHK Wenke He 18JAN2013		
TOLERANCES UNLESS OTHERWISE SPECIFIED:		APVD Wenke He 18JAN2013	NAME SPRING FINGER TYPE B	
0 PLC ± 0.2 1 PLC ± 0.15 2 PLC ± 0.15 3 PLC ± 0.10 4 PLC ± - ANGLES ± 5°		PRODUCT SPEC 108-115061-1	RESTRICTED TO -	
MATERIAL		APPLICATION SPEC -	SIZE A3	CAGE CODE 00779
FINISH		WEIGHT -	DRAWING NO. 2199249	
		CUSTOMER DRAWING	SCALE 5:1	SHEET 2 OF 2

X-ON Electronics

Largest Supplier of Electrical and Electronic Components

Click to view similar products for [EMI Gaskets, Sheets, Absorbers & Shielding](#) category:

Click to view products by [TE Connectivity](#) manufacturer:

Other Similar products are found below :

[8101010140](#) [8563-0090-89](#) [1194-7.7X10](#) [1245-34"X18YD](#) [1267](#) [1345-3/8x18yrd](#) [1380-2"X8"](#) [1554907-1](#) [2320002000](#) [2320014700](#)
[SG293037DS](#) [ST005PCN50](#) [55005107](#) [38M4040AA0606](#) [46J5N02020.NN00](#) [1125-8X10](#) [1126X1"](#) [1170-3/4X18YDS](#) [1170-7.7x10](#) [1183-12"X18YD](#) [6-34T-BD-0.315](#) [SG125187D-24](#) [SG125250R-24](#) [SG187375R-24](#) [SG284050DS](#) [8402010540](#) [KIT TECH CLIP](#) [1194](#) [10-40450-28S](#) [1245](#) [1267-1/2"x18yd](#) [46J8501020.NN00](#) [1170-1/4"x18yd](#) [AL-36FR-1x54.5](#) [3013310A](#) [1194X1"](#) [3020604](#) [3021302](#) [3031313](#) [260709](#)
[3021310](#) [6-34UT-070-BD-16](#) [303076048](#) [46J5N03020.NN00](#) [30206025](#) [30395641](#) [3030403](#) [3690103020](#) [HNY-LT15CU4241](#) [1170-3/8"x18yd](#)