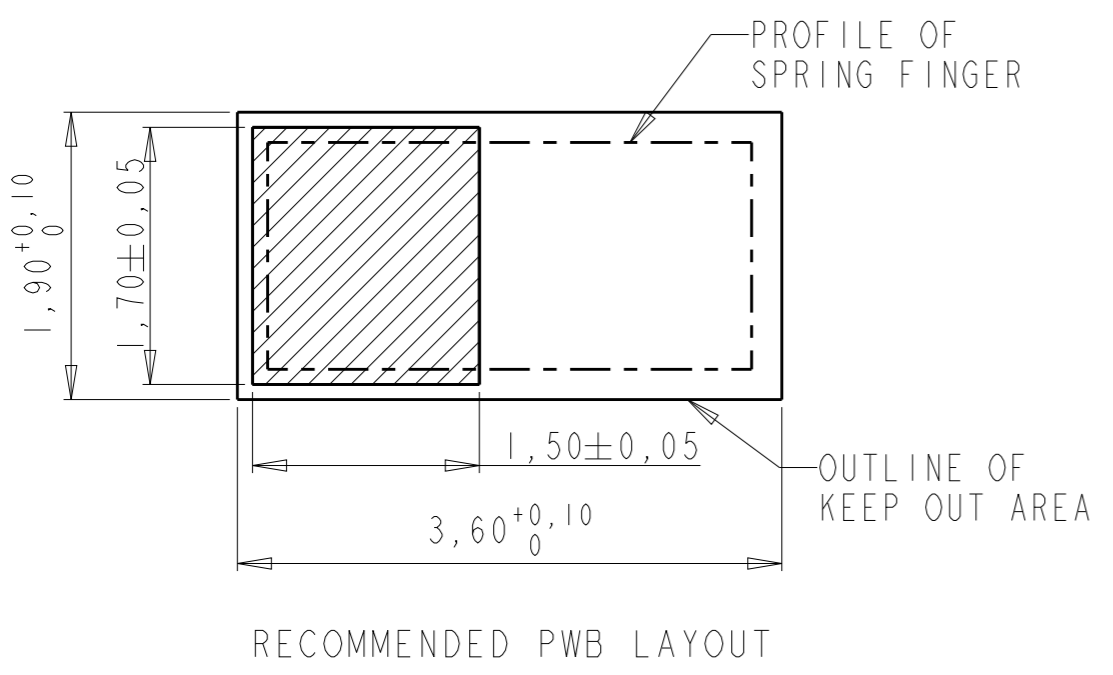
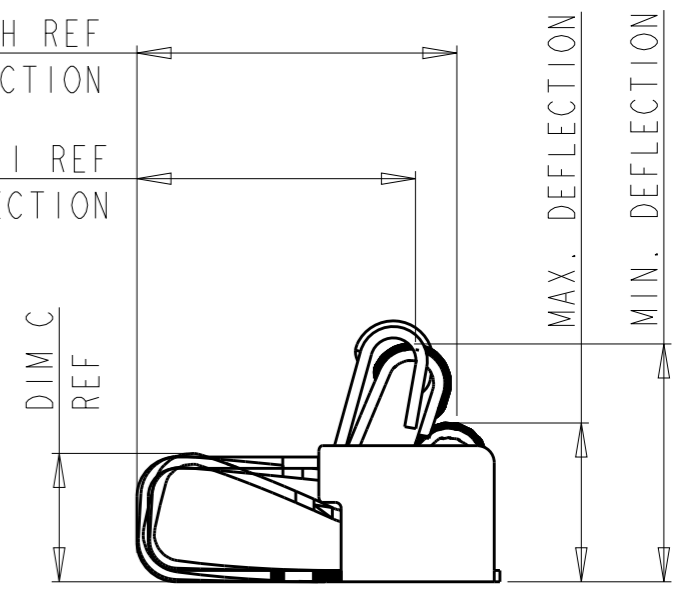
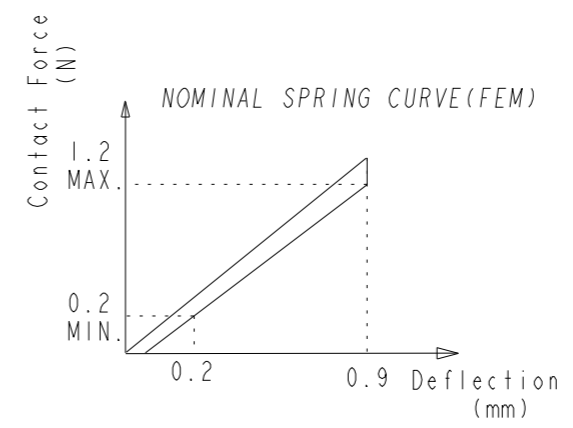
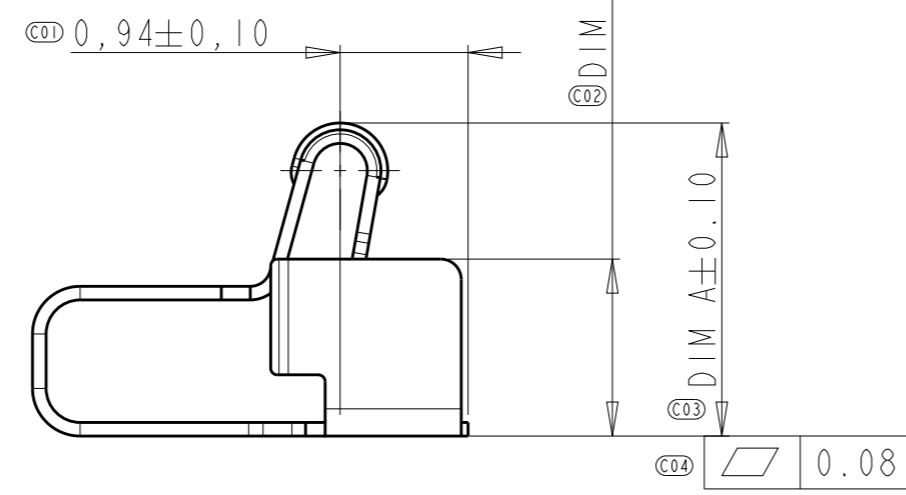
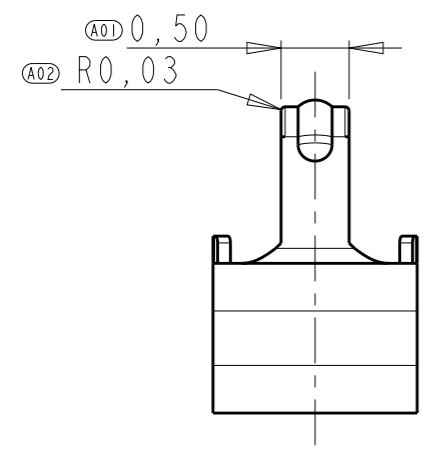
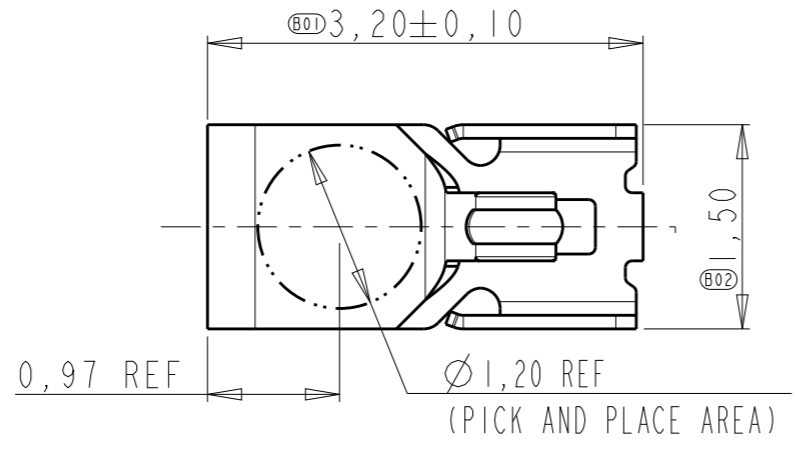
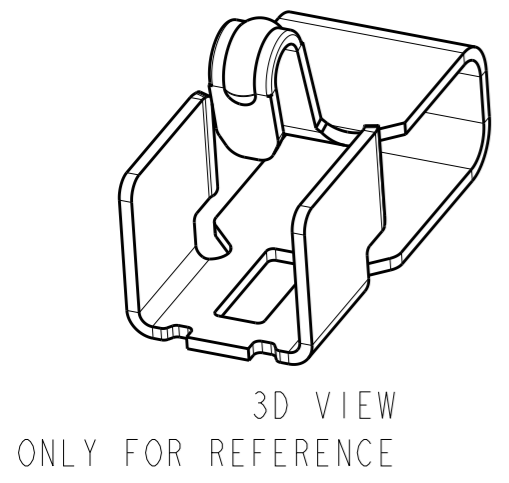


THIS DRAWING IS UNPUBLISHED. RELEASED FOR PUBLICATION  
 © COPYRIGHT - BY - ALL RIGHTS RESERVED.

LOC	DIST	REVISIONS			
P	LTR	DESCRIPTION	DATE	DWN	APVD
ES	00	A	RELEASED	23JUL2014	J. J W. H
		AI	ECR-14-015254	15OCT2014	T. Q W. H

TE P/N	DIM A	DIM B	DIM C	DIM H	DIM I	WORK RANGE	QUANTITY
2199249-3	2.0	1.0	0.83	2.76	2.40	1.1~1.8	7000
2199249-4	2.3	1.3	1.13	2.80	2.44	1.4~2.1	6000



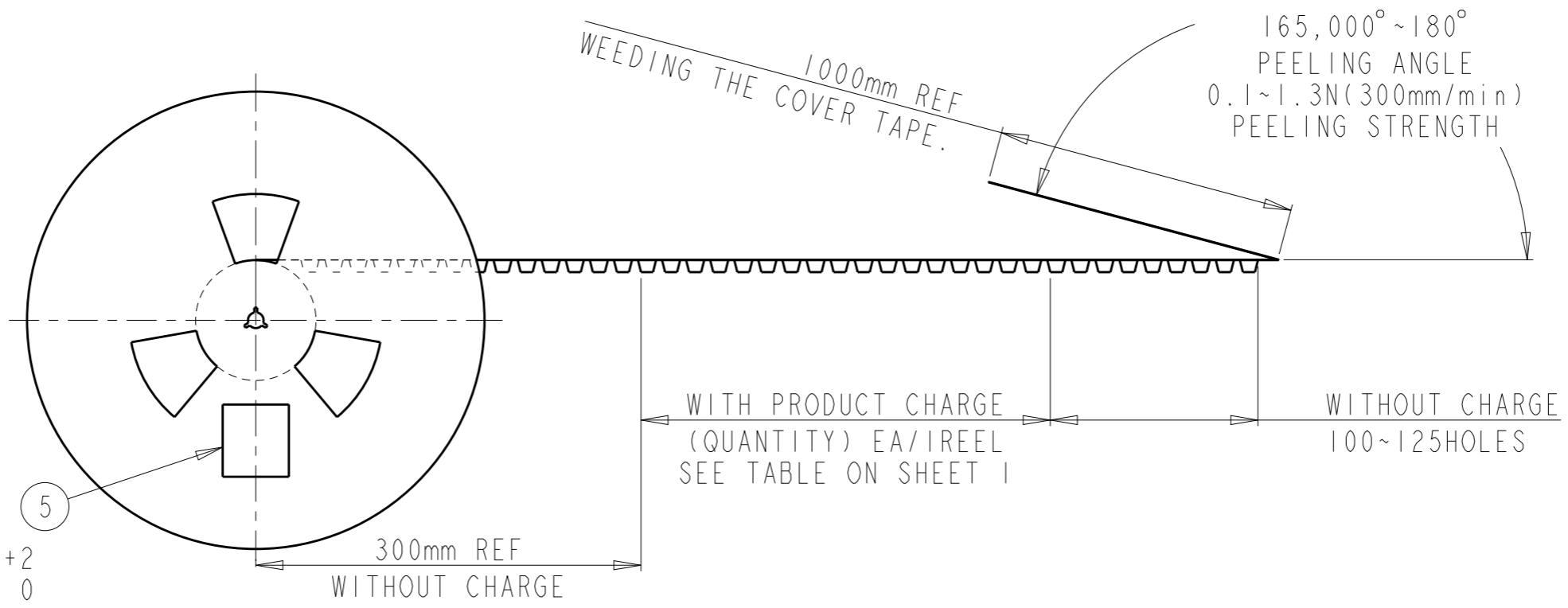
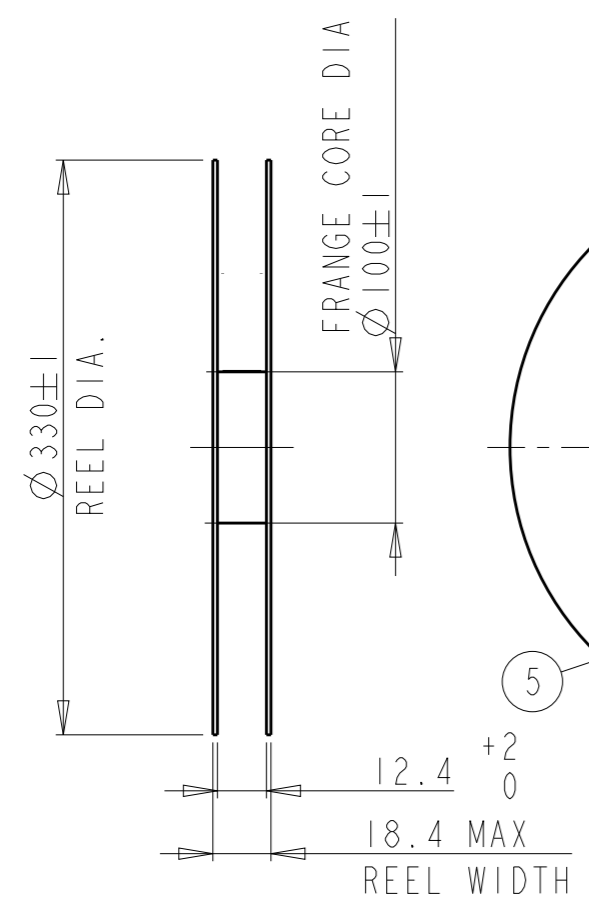
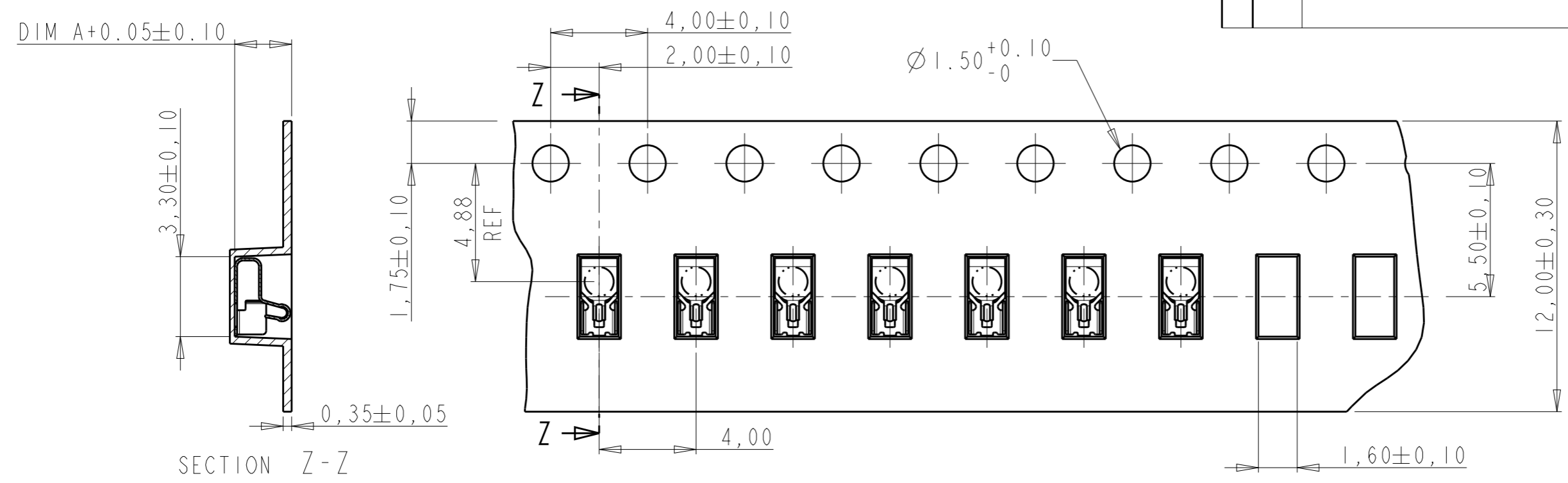
- 1 PART NUMBER: SEE TABLE.
- 2 MATERIAL: PHOSPHOR BRONZE, THICKNESS=0.10MM.
- 3 PLATING: 2um MIN. NICKEL UNDERLAYER ALL OVER  
0,50um MIN. GOLD ON CONTACT SURFACE  
GOLD FLASH ON SOLDERING SURFACE
- 4 PICK AND PLACE SURFACE Ø1.2MM.




THIS DRAWING IS A CONTROLLED DOCUMENT.		DWN 18JAN2013 Tony Zhang	NAME <b>STE</b> TE Connectivity	
DIMENSIONS: mm		CHK 18JAN2013 Wenke He		
TOLERANCES UNLESS OTHERWISE SPECIFIED:		APVD 18JAN2013 Wenke He	PRODUCT SPEC 108-115061-1	
0 PLC ±0.2 1 PLC ±0.15 2 PLC ±0.15 3 PLC ±0.10 4 PLC ANGLES ±5°		APPLICATION SPEC		RESTRICTED TO
MATERIAL		WEIGHT	SIZE A3	CAGE CODE 00779
FINISH		DRAWING NO. C=2199249		SCALE 25:1
MATERIAL 2 FINISH 3		CUSTOMER DRAWING		SHEET 1 OF 2 REV AI

THIS DRAWING IS UNPUBLISHED. RELEASED FOR PUBLICATION  
 © COPYRIGHT BY ALL RIGHTS RESERVED.

LOC	DIST	REVISIONS			
P	LTR	DESCRIPTION	DATE	DWN	APVD
ES	00				



THIS DRAWING IS A CONTROLLED DOCUMENT.		DWN	18JAN2013		 TE Connectivity								
DIMENSIONS: mm		CHK	18JAN2013										
TOLERANCES UNLESS OTHERWISE SPECIFIED:		APVD	18JAN2013										
0 PLC ± 0.2 1 PLC ± 0.15 2 PLC ± 0.15 3 PLC ± 0.10 4 PLC ± - ANGLES ± 5°		PRODUCT SPEC	108-115061-1										
MATERIAL		FINISH	-		NAME	SPRING FINGER TYPE B							
			WEIGHT	-		SIZE	A3	CAGE CODE	00779	DRAWING NO	2199249	RESTRICTED TO	-
			CUSTOMER DRAWING		SCALE	5:1		SHEET	2 OF 2		REV	A1	

## X-ON Electronics

Largest Supplier of Electrical and Electronic Components

*Click to view similar products for [EMI Gaskets, Sheets, Absorbers & Shielding](#) category:*

*Click to view products by [TE Connectivity](#) manufacturer:*

Other Similar products are found below :

[8101010140](#) [8563-0090-89](#) [1194-7.7X10](#) [1245-34"X18YD](#) [1267](#) [1345-3/8x18yrd](#) [1554907-1](#) [2320002000](#) [2320014700](#) [SG293037DS](#)  
[ST005PCN50](#) [55005107](#) [38M4040AA0606](#) [46J5N02020.NN00](#) [1125-8X10](#) [1126X1"](#) [1170-3/4X18YDS](#) [1170-7.7x10](#) [1183-12"X18YD](#) [6-](#)  
[34T-BD-0.315](#) [SG125187D-24](#) [SG125250R-24](#) [SG187375R-24](#) [SG284050DS](#) [8402010540](#) [KIT TECH CLIP](#) [1194](#) [10-40450-28S](#) [1245](#)  
[1267-1/2"x18yd](#) [46J8501020.NN00](#) [1170-1/4"x18yd](#) [AL-36FR-1x54.5](#) [3013310A](#) [1194X1"](#) [3020604](#) [3021302](#) [3031313](#) [260709](#) [3021310](#) [6-](#)  
[34UT-070-BD-16](#) [303076048](#) [46J5N03020.NN00](#) [30206025](#) [30395641](#) [3030403](#) [3690103020](#) [HNY-LT15CU4241](#) [46X7503020.NN00](#)  
[46W5E02520.NN00](#)