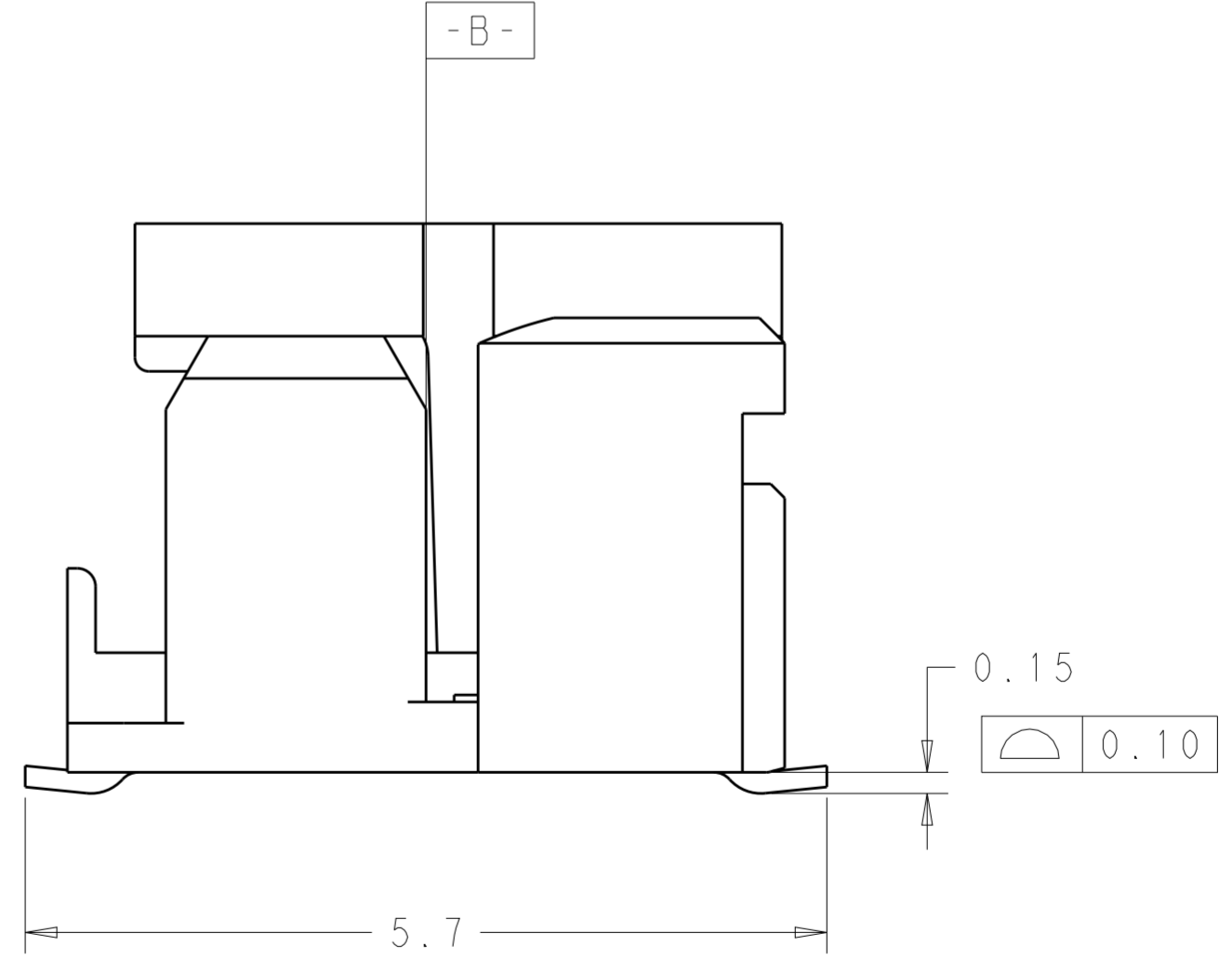
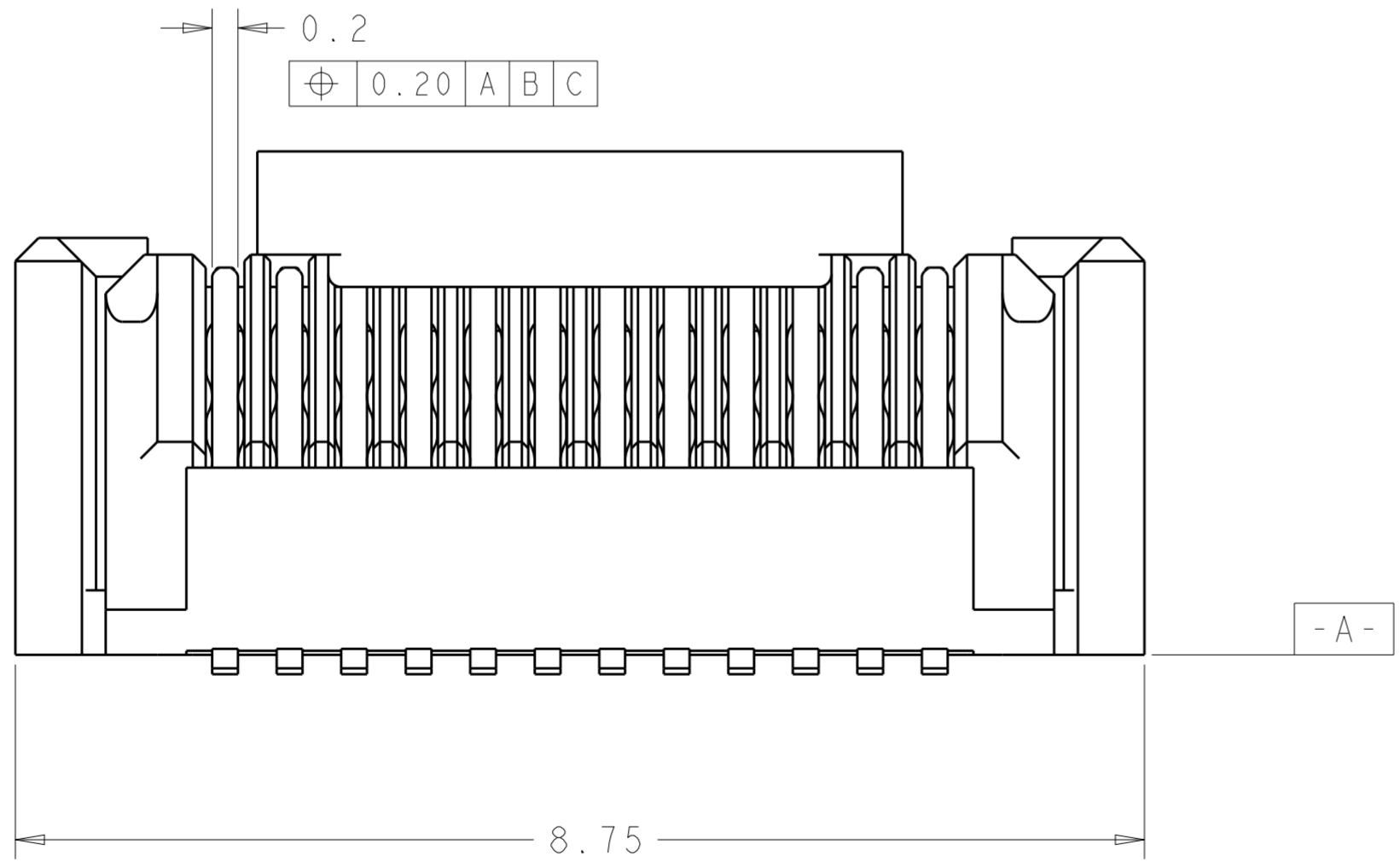
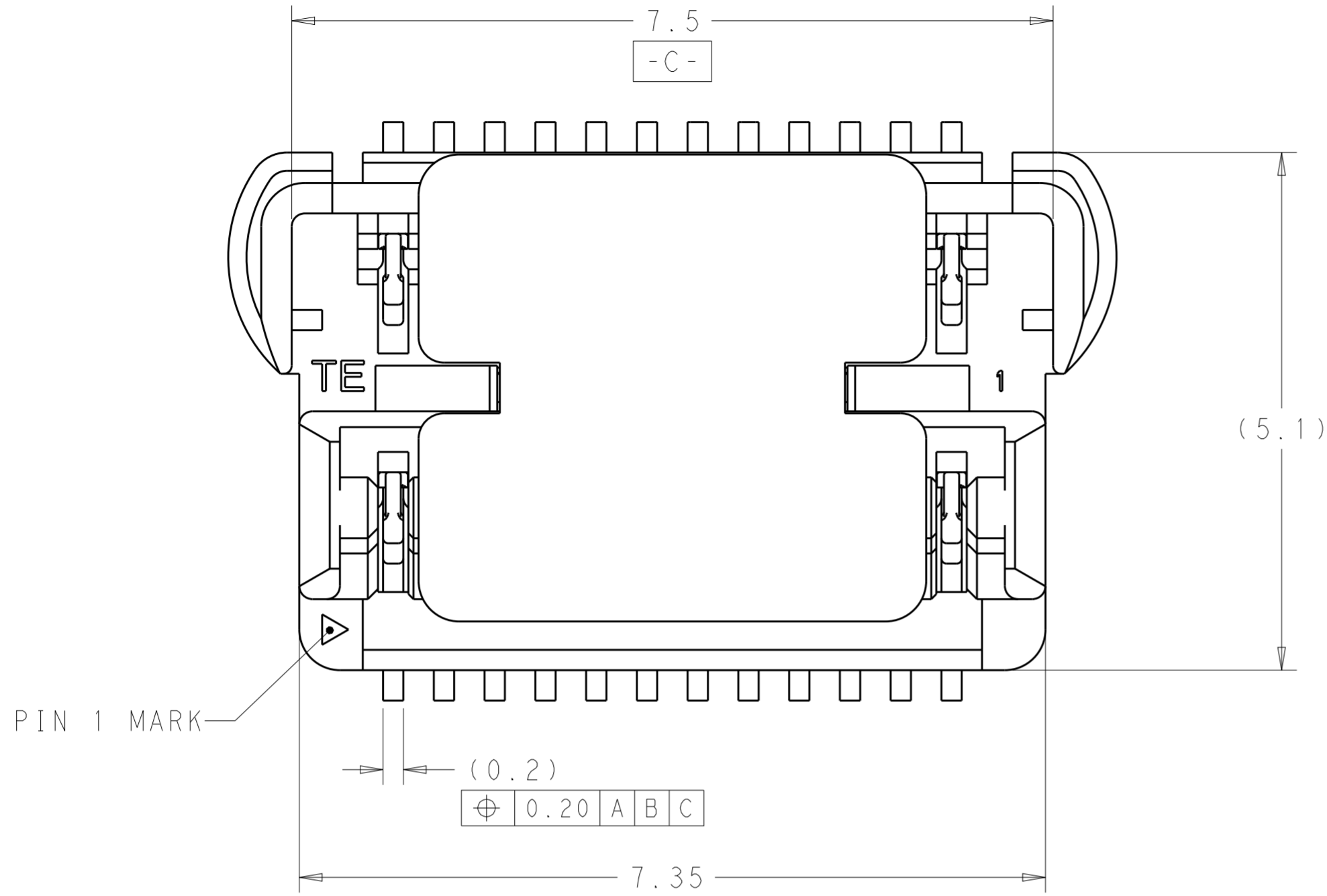


THIS DRAWING IS UNPUBLISHED. RELEASED FOR PUBLICATION 20  
 © COPYRIGHT 20 ALL RIGHTS RESERVED.

REVISIONS				
P	LTR	DESCRIPTION	DATE	APVD
A		NEW RELEASE	27JUL2017	B. J. S. Y.



NOTES:

1. MATERIALS:

HOUSING: L.C.P (HIGH TEMP THERMO PLASTIC) UL 94V-0, BLACK

CAP: L.C.P (HIGH TEMP THERMO PLASTIC) UL 94V-0, NATURAL

CONTACT: COPPER ALLOY

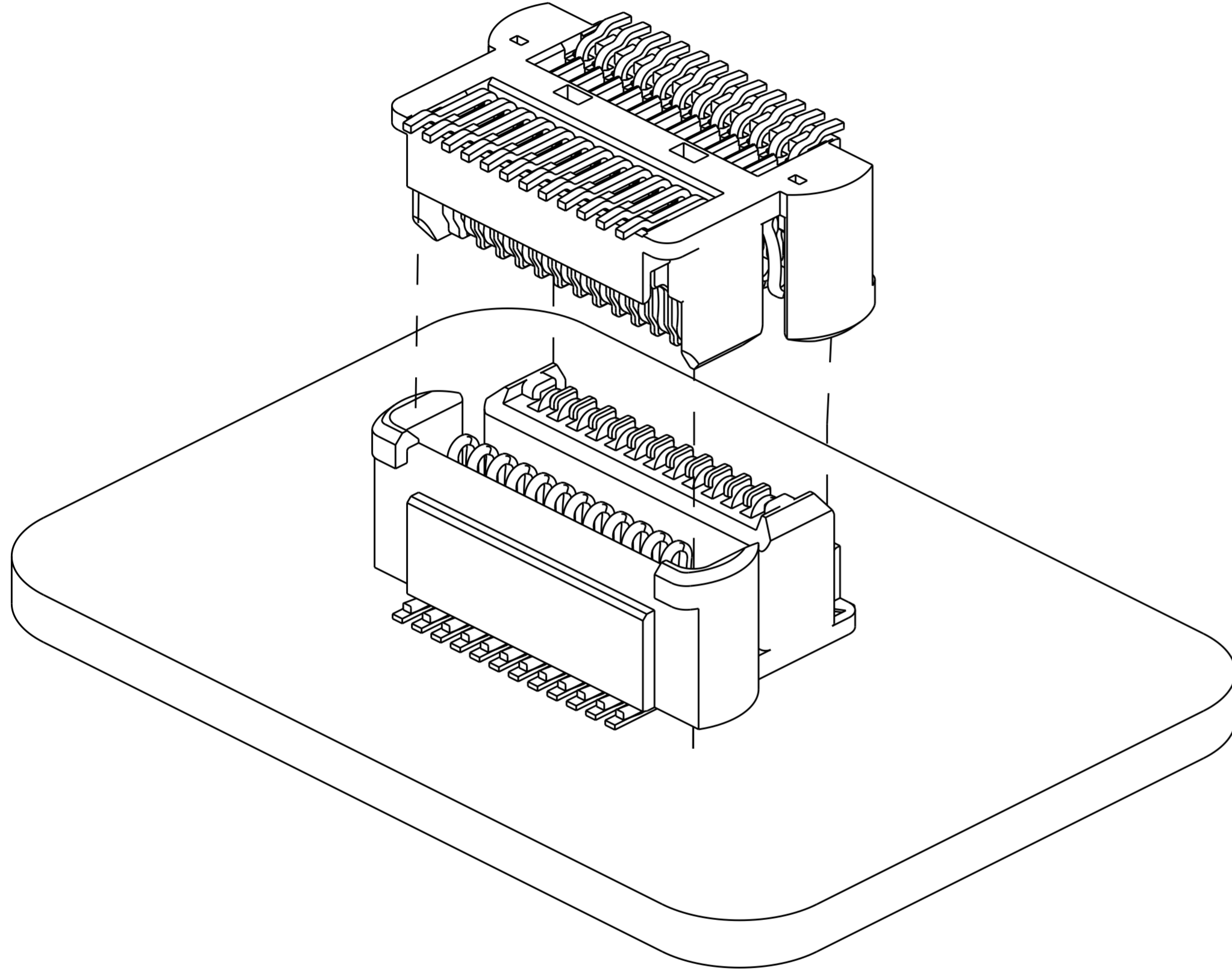
2. FINISH:

ENGAGEMENT AREA: 0.00038MM MIN GOLD  
 SOLDERING AREA: 0.00005MM MIN GOLD  
 UNDERCOAT: 0.00127MM MIN NICKEL ALL OVER

THIS DRAWING IS A CONTROLLED DOCUMENT.		DWN 04MAR2014 IVAN TIAN	TE Connectivity	
		CHK 04MAR2014 WENKE HE		
DIMENSIONS: mm		APVD -	NAME 0.5MM FINE STACKING BTB, 24 POS 4MM HEIGHT, EMBOSS, WITH CAP HERMAPHRODITIC TYPE CONNECTOR	
TOLERANCES UNLESS OTHERWISE SPECIFIED:		PRODUCT SPEC 108-115057	SIZE CAGE CODE DRAWING NO RESTRICTED TO	
0 PLC ±		APPLICATION SPEC 114-115008	A200779 C-2199325	
1 PLC ±0.30		WEIGHT 0.167 G	SCALE 11:1 SHEET 1 OF 4 REV A	
2 PLC ±0.10		CUSTOMER DRAWING		
3 PLC ±				
4 PLC ±				
ANGLES ±1°				
FINISH				
SEE NOTE 1				
SEE P/N TABLE				

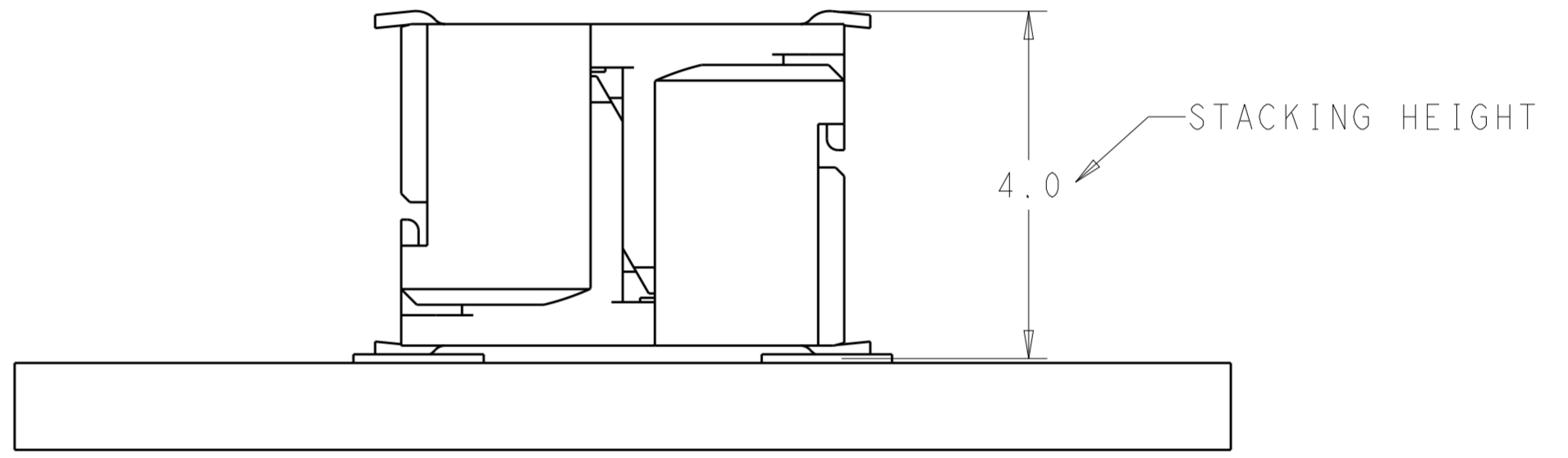
THIS DRAWING IS UNPUBLISHED.      RELEASED FOR PUBLICATION      20  
 © COPYRIGHT 20      ALL RIGHTS RESERVED.

REVISIONS				
P	LTR	DESCRIPTION	DATE	APVD
-	-	SEE SHEET 1	-	-



MATED WITH SAME CONNECTOR

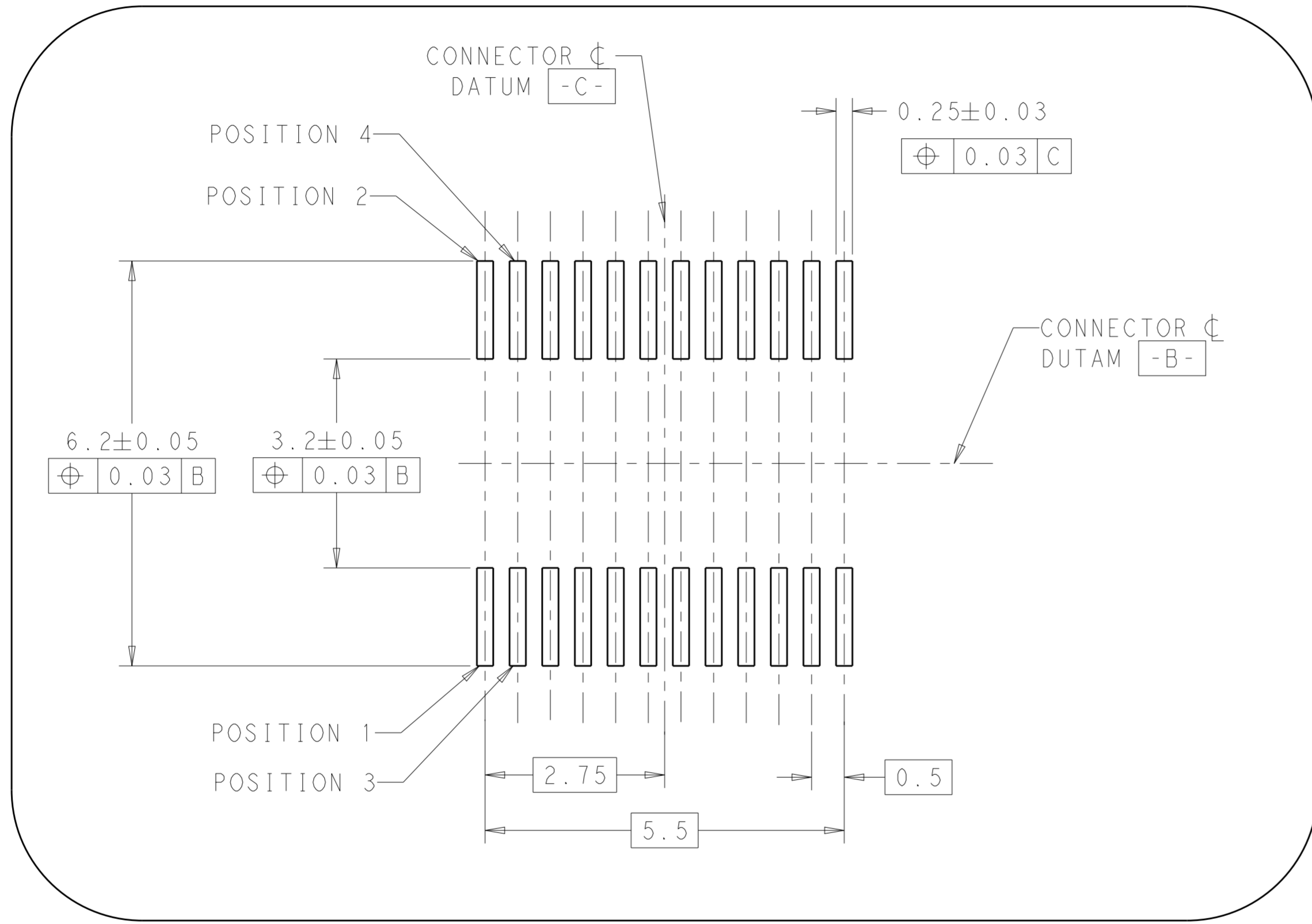
MATED CONNECTORS WITHOUT CAP



THIS DRAWING IS A CONTROLLED DOCUMENT.		DWN 04MAR2014 IVAN TIAN	<b>STE</b> TE Connectivity	
		CHK 04MAR2014 WENKE HE		
DIMENSIONS:	TOLERANCES UNLESS OTHERWISE SPECIFIED:	APVD -	NAME	
mm	0 PLC ± 1 PLC ±0.30 2 PLC ±0.10 3 PLC ± 4 PLC ±	PRODUCT SPEC	0.5MM FINE STACKING BTB, 24 POS 4MM HEIGHT, EMBOSS, WITH CAP HERMAPHRODITIC TYPE CONNECTOR	
	ANGLES ±1°	APPLICATION SPEC	SIZE	CAGE CODE
MATERIAL	FINISH	WEIGHT	A200779	DRAWING NO
SEE NOTE 1	SEE P/N TABLE	0.167 G	C-2199325	RESTRICTED TO
		CUSTOMER DRAWING	SCALE 11:1	SHEET 2 OF 4
				REV A

THIS DRAWING IS UNPUBLISHED. RELEASED FOR PUBLICATION 20  
 © COPYRIGHT 20 ALL RIGHTS RESERVED.

REVISIONS				
P	LTR	DESCRIPTION	DATE	APVD
-		SEE SHEET 1	-	-



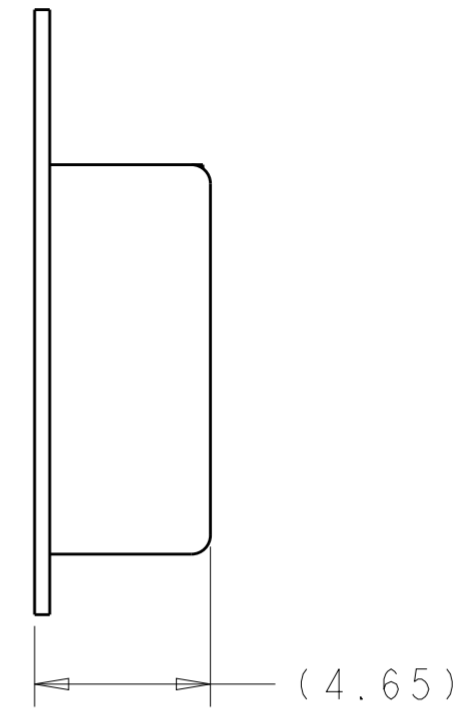
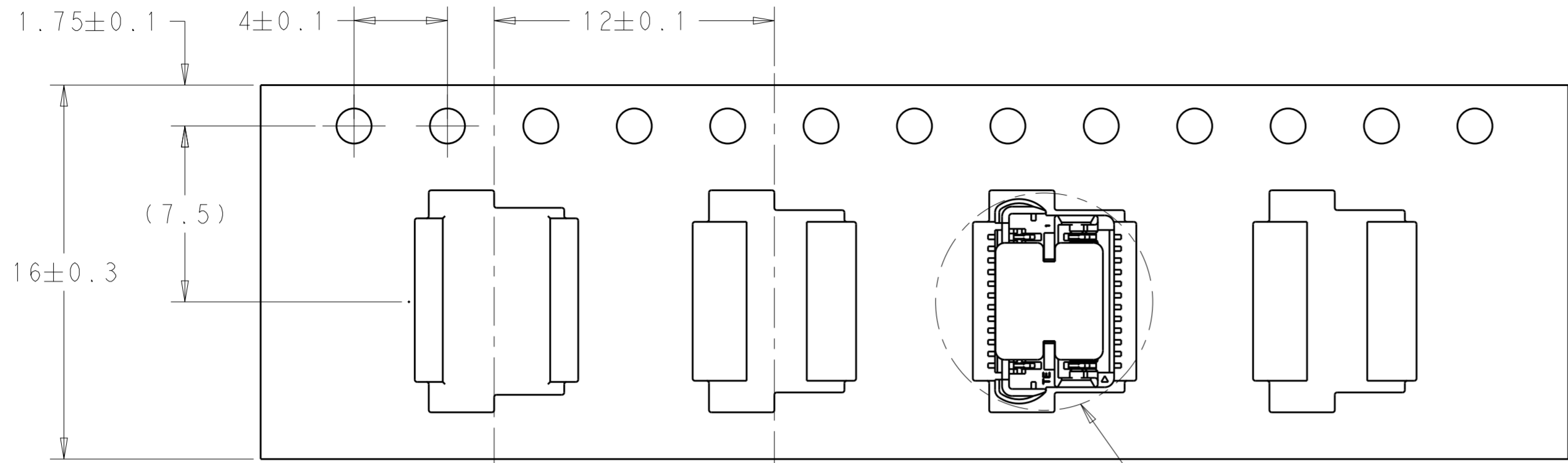
- A -

RECOMMENDED FOOTPRINT

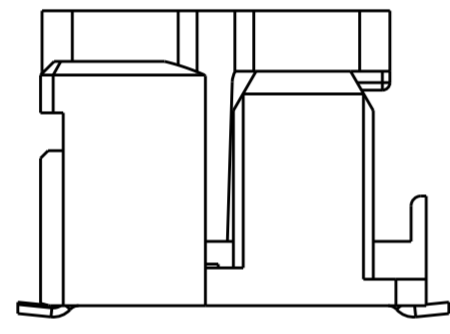
THIS DRAWING IS A CONTROLLED DOCUMENT.		DWN 04MAR2014 IVAN TIAN	TE Connectivity	
		CHK 04MAR2014 WENKE HE		
DIMENSIONS: mm		APVD -	NAME	
		PRODUCT SPEC	0.5MM FINE STACKING BTB, 24 POS	
TOLERANCES UNLESS OTHERWISE SPECIFIED:		APPLICATION SPEC	4MM HEIGHT, EMBOSS, WITH CAP	
0 PLC ±	1 PLC ±0.30	114-115008	SIZE	RESTRICTED TO
2 PLC ±0.10	3 PLC ±	WEIGHT	A200779	C-2199325
4 PLC ±	ANGLES ±1°	0.167 G	SCALE 11:1 SHEET 3 OF 4 REV A	
MATERIAL SEE NOTE 1	FINISH SEE P/N TABLE	CUSTOMER DRAWING		

THIS DRAWING IS UNPUBLISHED. RELEASED FOR PUBLICATION 20  
 © COPYRIGHT 20 ALL RIGHTS RESERVED.

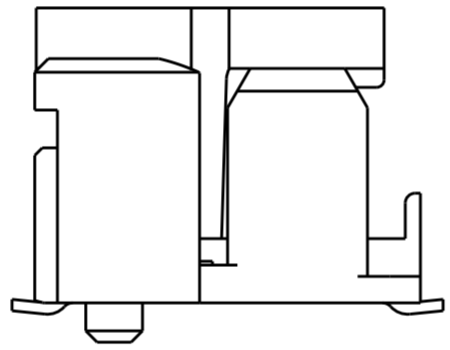
REVISIONS				
P	LTR	DESCRIPTION	DATE	APVD
-		SEE SHEET 1	-	-



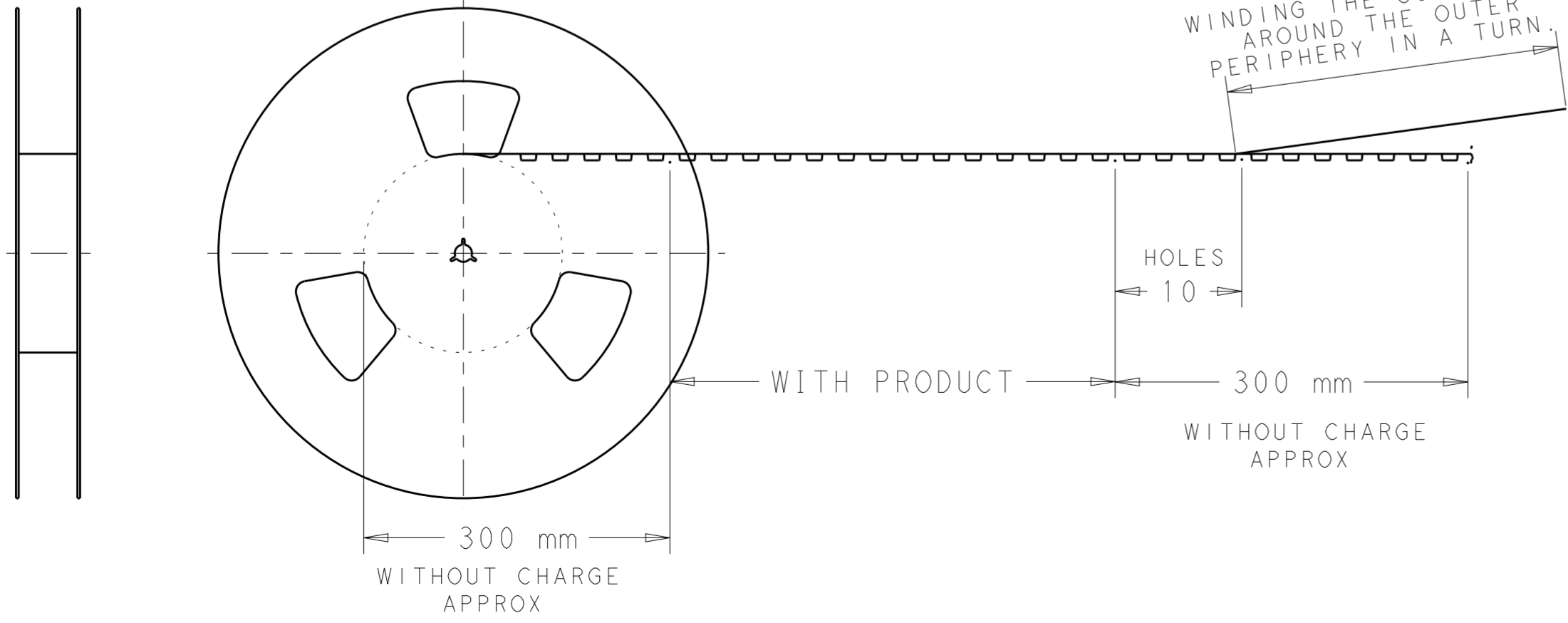
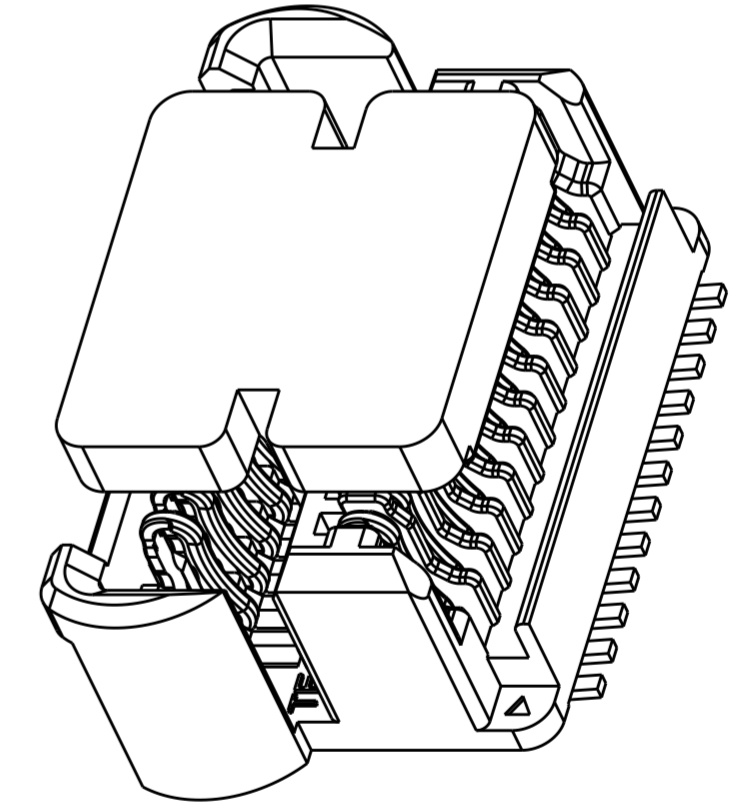
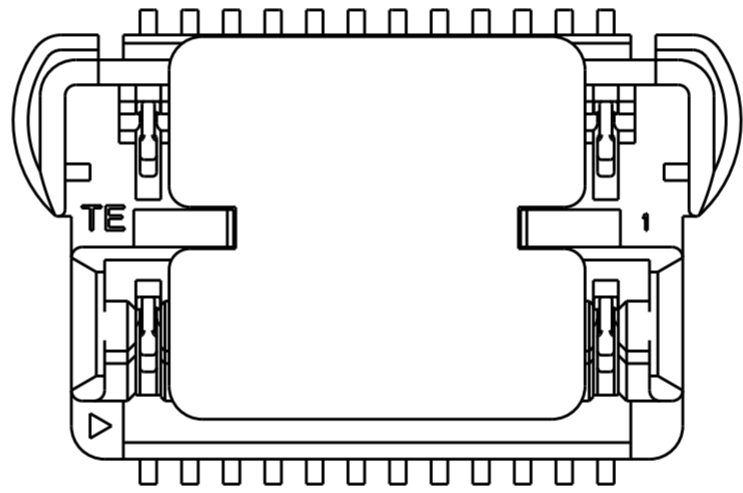
DETAIL CONNECTOR



2199325-4  
WITHOUT POST



1-2199325-4  
WITH POST



2	300	24	2199070-4
FINISH	QTY	POS	P/N

THIS DRAWING IS A CONTROLLED DOCUMENT.		DWN 04MAR2014 IVAN TIAN	TE Connectivity	
		CHK 04MAR2014 WENKE HE		
DIMENSIONS: mm		APVD -	NAME	
TOLERANCES UNLESS OTHERWISE SPECIFIED:		PRODUCT SPEC	0.5MM FINE STACKING BTB, 24 POS	
0 PLC ±		108-115057	4MM HEIGHT, EMBOSS, WITH CAP	
1 PLC ±0.30		APPLICATION SPEC	HERMAPHRODITIC TYPE CONNECTOR	
2 PLC ±0.10		114-115008	SIZE	CAGE CODE
3 PLC ±		WEIGHT 0.167 G	A200779	DRAWING NO
4 PLC ±		CUSTOMER DRAWING	C-2199325	RESTRICTED TO
ANGLES ±1°		SCALE 11:1	SHEET 4 OF 4	REV A
FINISH				
SEE NOTE 1				
SEE P/N TABLE				

## X-ON Electronics

Largest Supplier of Electrical and Electronic Components

*Click to view similar products for [Board to Board & Mezzanine Connectors](#) category:*

*Click to view products by [TE Connectivity](#) manufacturer:*

Other Similar products are found below :

[589158040000018](#) [MDF7C-18P-2.54DSA\(55\)](#) [FCN-230C068-11](#) [FCN-268F012-G/BD](#) [FCN-268F036-G/BD](#) [FCN-268M012-G/0D](#) [FCN-268M024-G/1D](#) [FCN-723J004/1](#) [MIS-048-01-F-D-DP-K](#) [832-10-034-10-001000](#) [FX4C-80S-1.27DSA](#) [FCN-214Q030-G/0](#) [FCN-234P048-G/0](#) [FCN-235D050-G/C](#) [210-93-314-41-105000](#) [2-22603-0](#) [MDF7-40DP-2.54DSA\(55\)](#) [AXG720047](#) [5031084030](#) [MIT-114-03-F-D-K](#) [55323-1519](#) [DF33-2P-3.3DSA\(24\)](#) [YFT-20-05-H-03-SB-K](#) [503308-3040](#) [026-6203-PDB](#) [027-6203-PDB](#) [069159702701000](#) [10123981-102LF](#) [101A10019X](#) [55650-0588-C](#) [68682-310LF](#) [68684-306](#) [75140-7012](#) [87471-650](#) [194261-1](#) [FCN-268F024-G0D](#) [10124054-515LF](#) [68685-603](#) [8-1616154-3](#) [MIS-019-01-F-D](#) [FCN-268M024-G/3D](#) [20021832-06016C1LF](#) [KX15-20KLDL-E1000E](#) [MDF7-16DP-2.54DSA\(55\)](#) [AXE810124](#) [FCN-214J100-G/0](#) [FCN-230C068-E/S](#) [AXE812124](#) [AXE816124](#) [AXE720127](#)