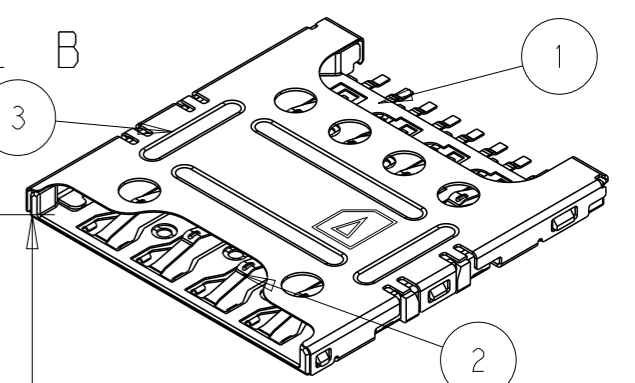
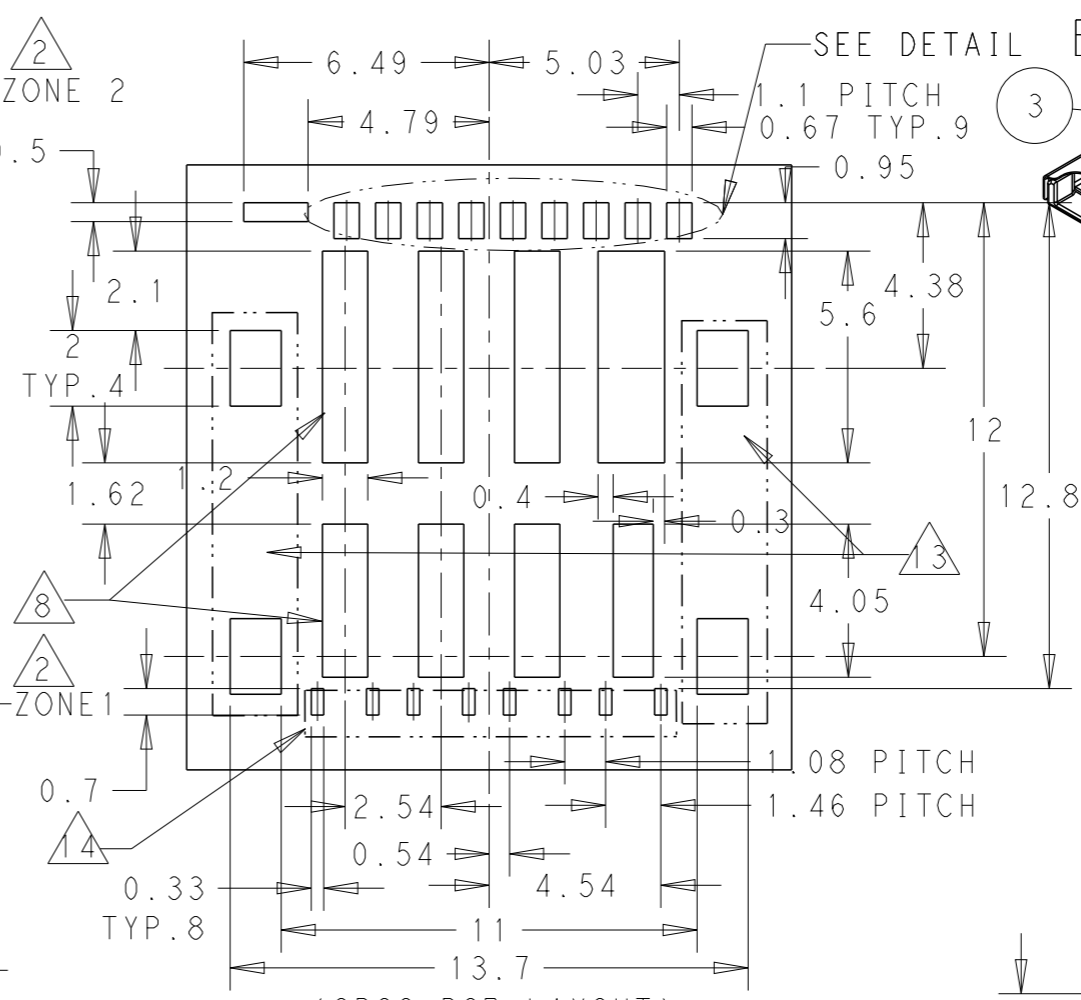
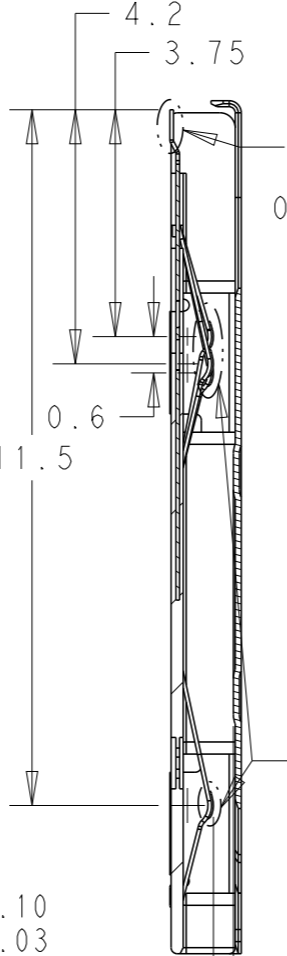
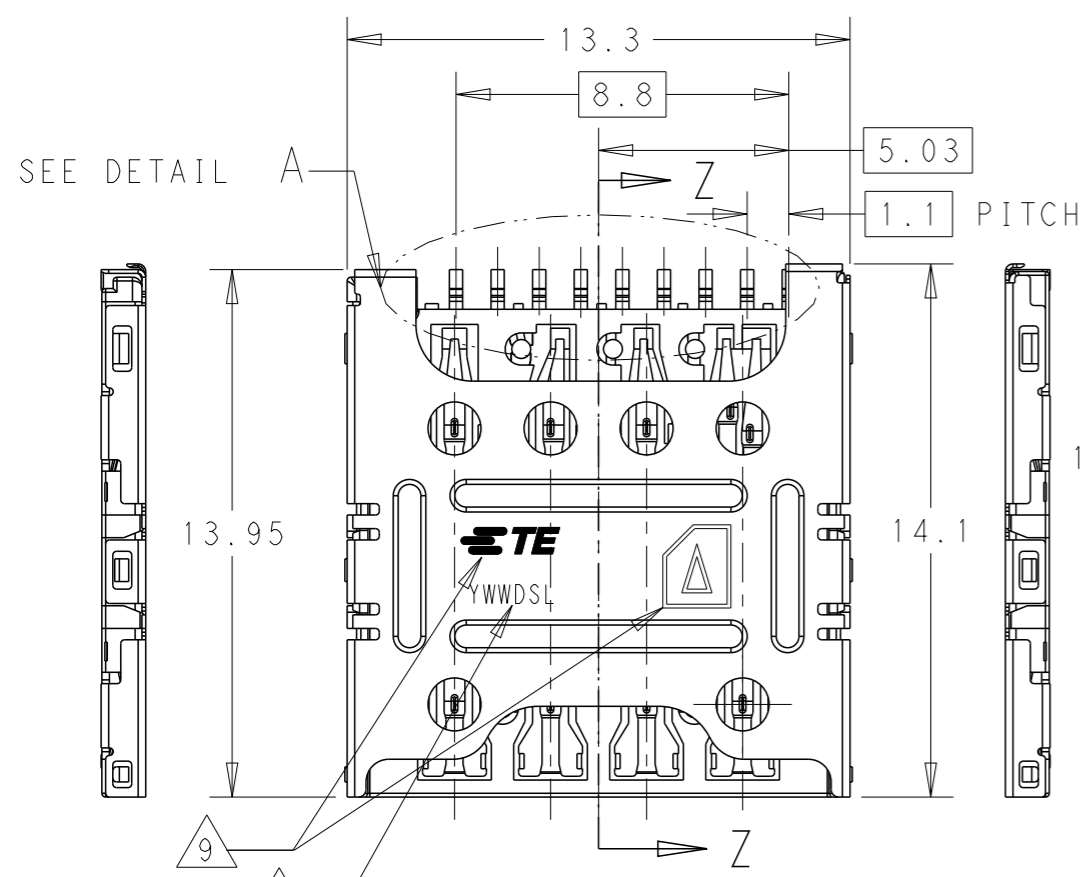


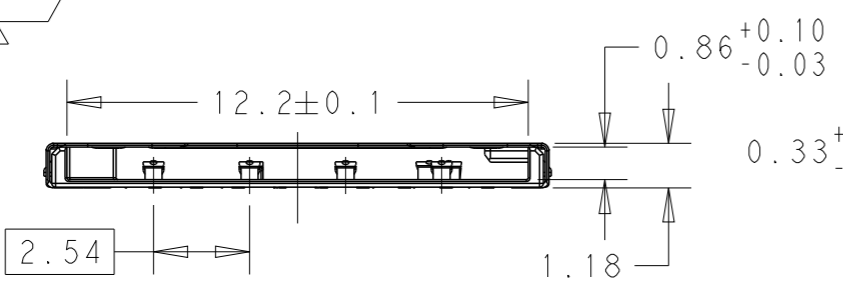
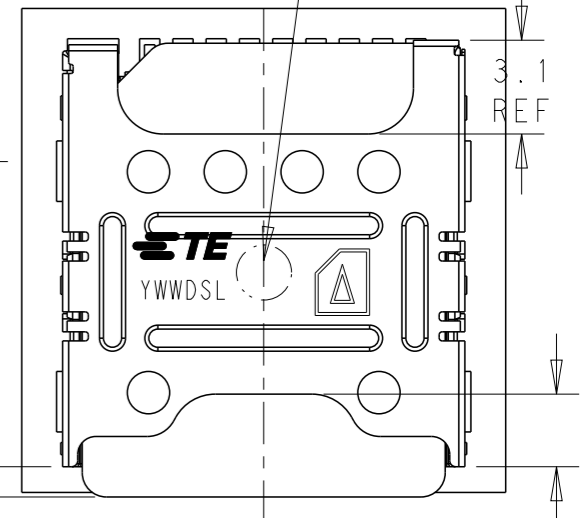
THIS DRAWING IS UNPUBLISHED. RELEASED FOR PUBLICATION 20  
© COPYRIGHT 20 BY - ALL RIGHTS RESERVED.

P		LTR		DESCRIPTION	DATE	DWN	APVD
A		THE OFFICIAL VERSION RELEASED		19APR17	R.Z	C.W	

8POS AS SHOWN



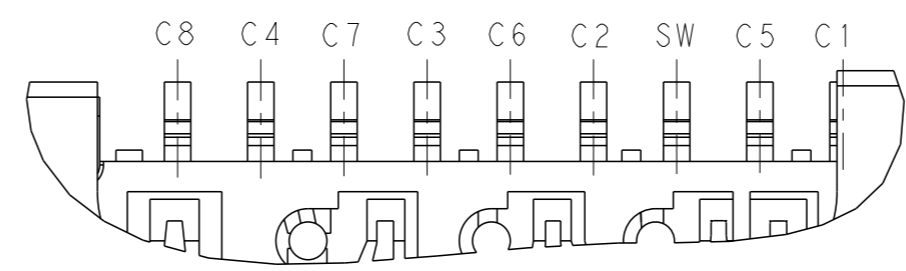
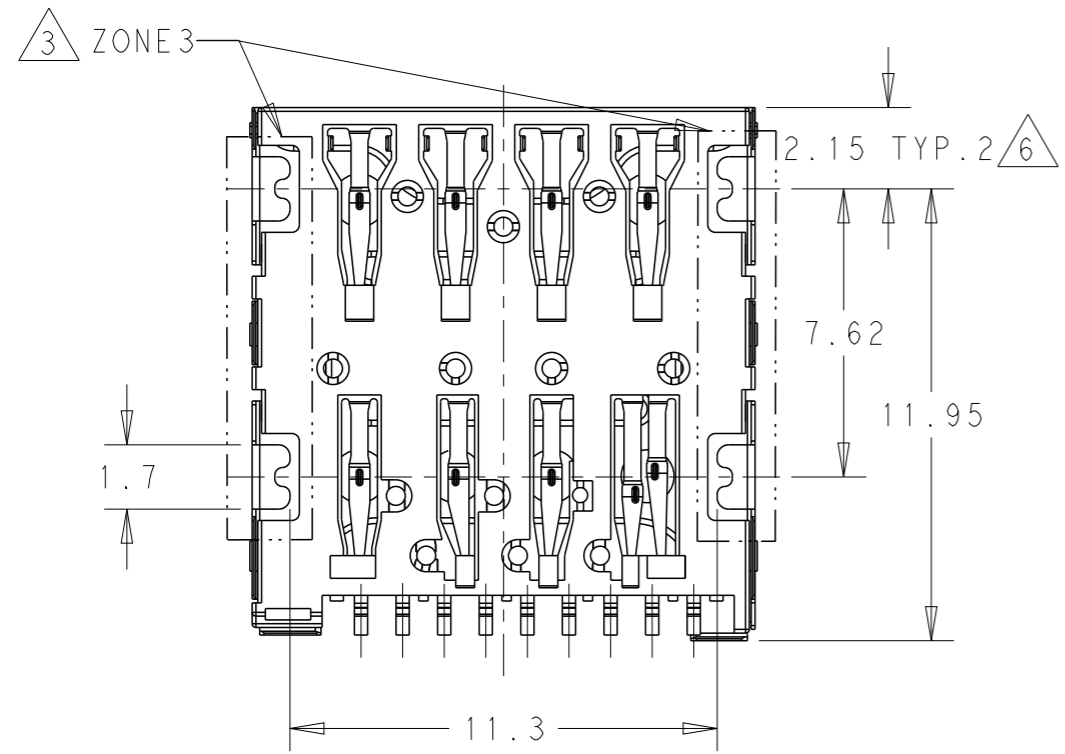
VACUUM AREA (Ø2.0)



SECTION Z-Z SCALE 8:1

(8POS PCB LAYOUT) TOLERANCE: ±0.05

(MATING CONDITION)



DETAIL A PIN NO. SCALE 10:1

2199337-5 (8POS)	3	SHELL	3
	2	CONTACT	2
	1	HOUSING	1
P/N	NO	COMPONENT	MATERIAL/FINISH

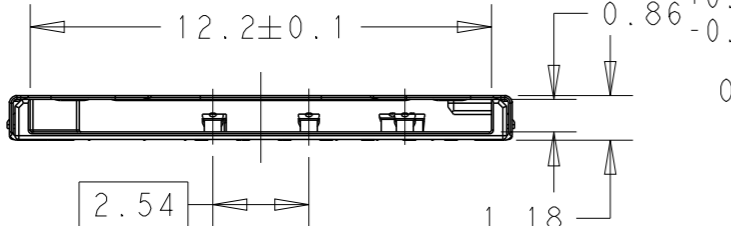
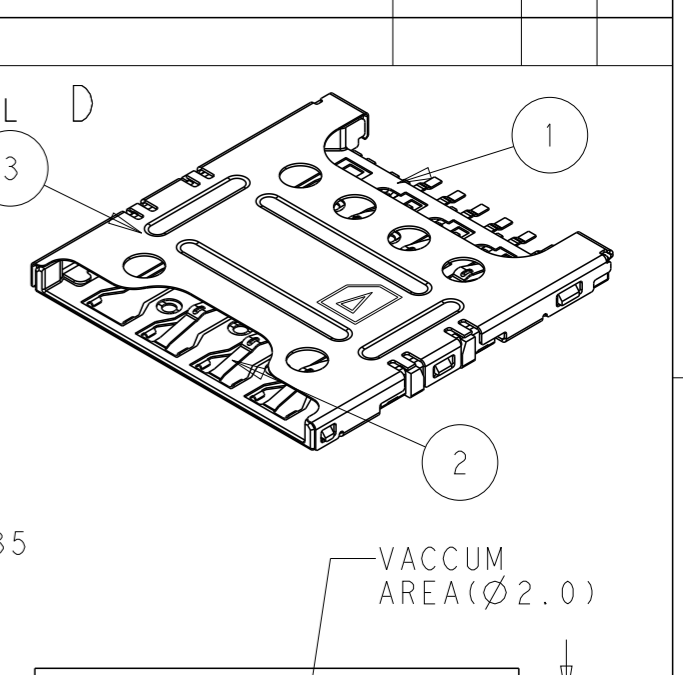
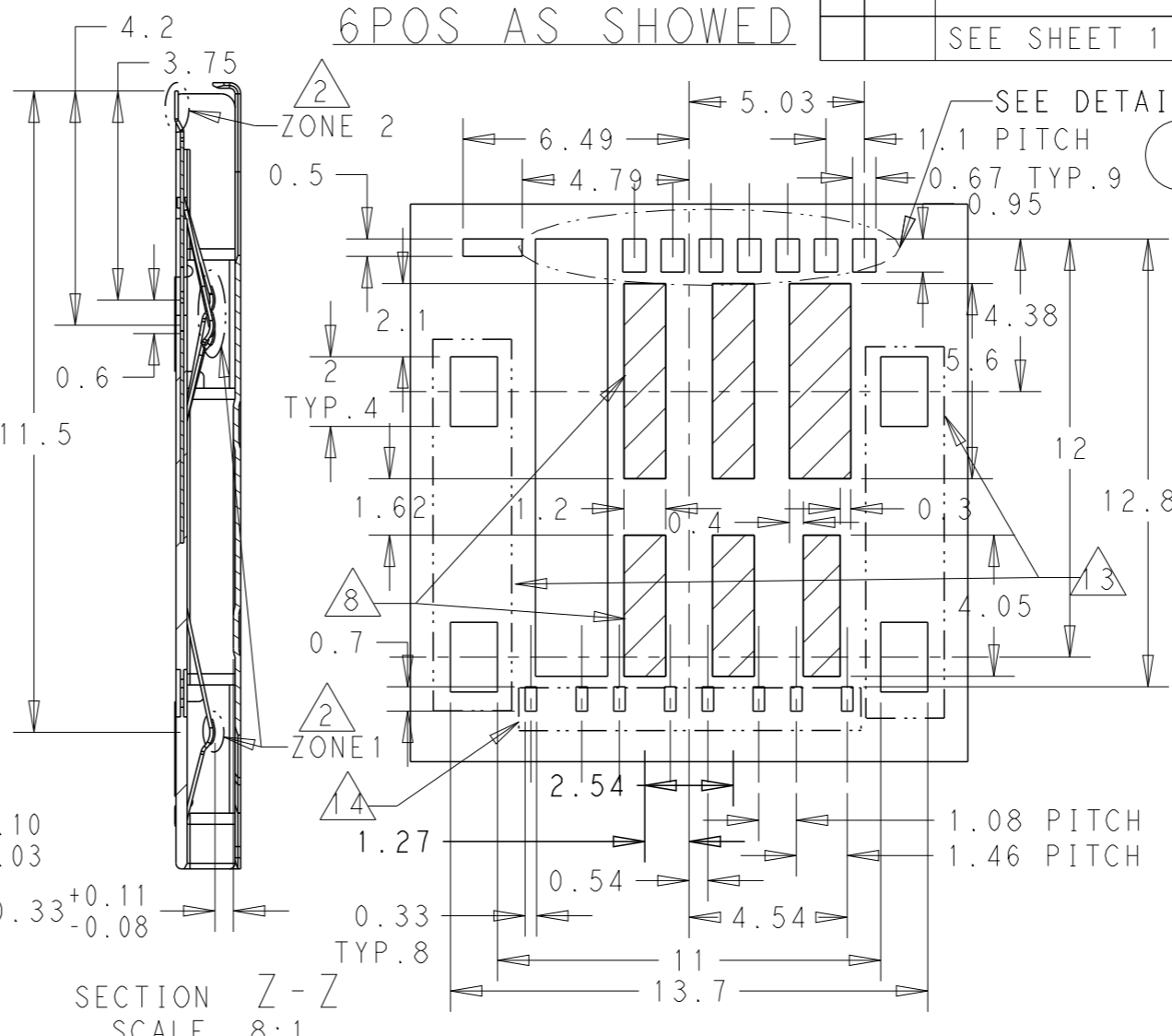
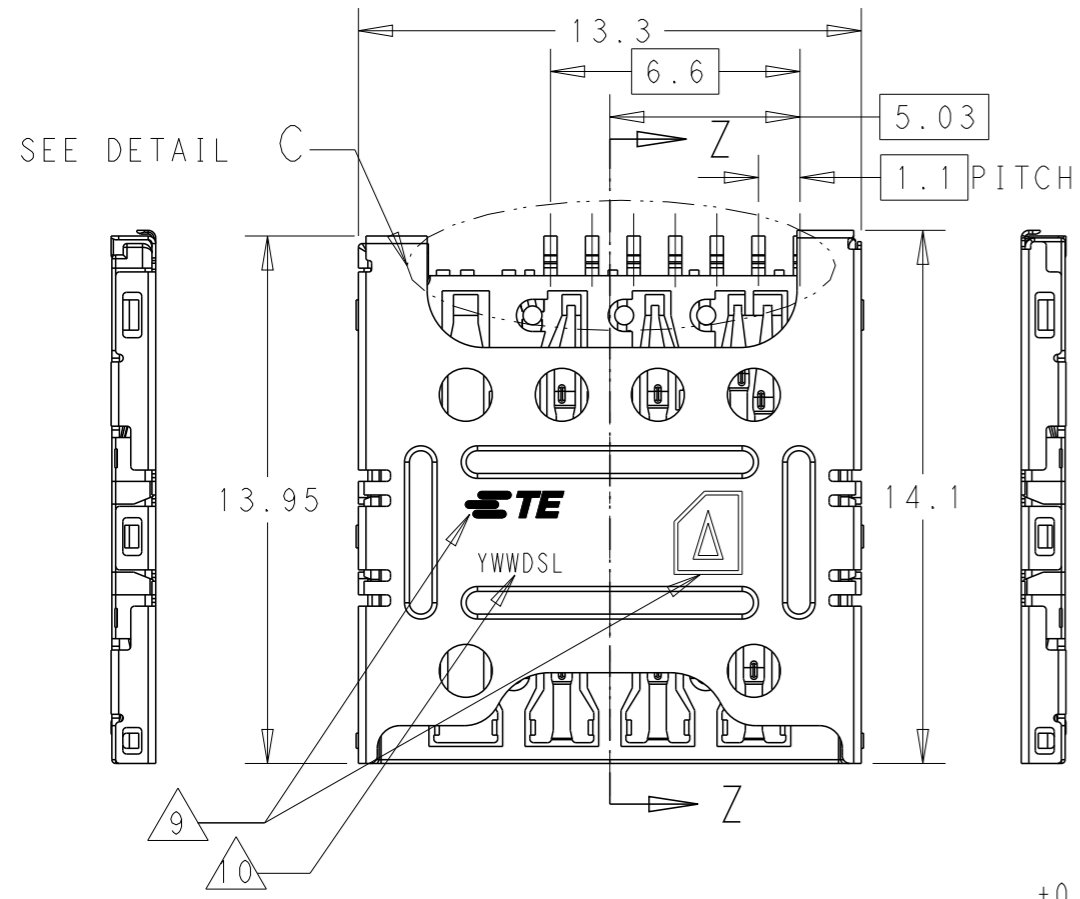
THIS DRAWING IS A CONTROLLED DOCUMENT.		DWN	B.Wong	27-Mar-14
DIMENSIONS: mm		CHK	S.Li	27-Mar-14
TOLERANCES UNLESS OTHERWISE SPECIFIED:		APVD	C.Wang	27-Mar-14
0 PLC	±0.2	PRODUCT SPEC	108-115082	
1 PLC	±0.2	APPLICATION SPEC	-	
2 PLC	±0.2	WEIGHT	0.195g	
3 PLC	±0.2	CUSTOMER DRAWING	-	
4 PLC	±0.2	SCALE	5:1	
ANGLES	±	SHEET	1 OF 4	
FINISH	-	REV	A	

**STE** TE Connectivity

ASSEMBLY FOR MICRO SIM H1.18 PUSH-PULL

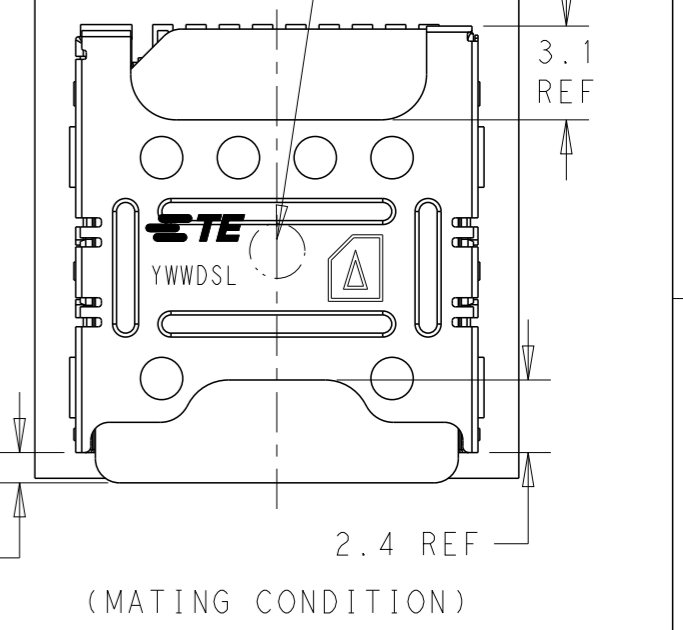
SIZE: A3 CAGE CODE: 00779 DRAWING NO: 2199337 RESTRICTED TO: -

P		LTR		DESCRIPTION	DATE	DWN	APVD
				SEE SHEET 1			

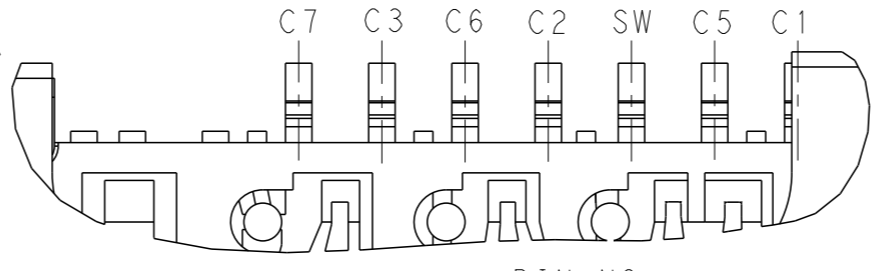
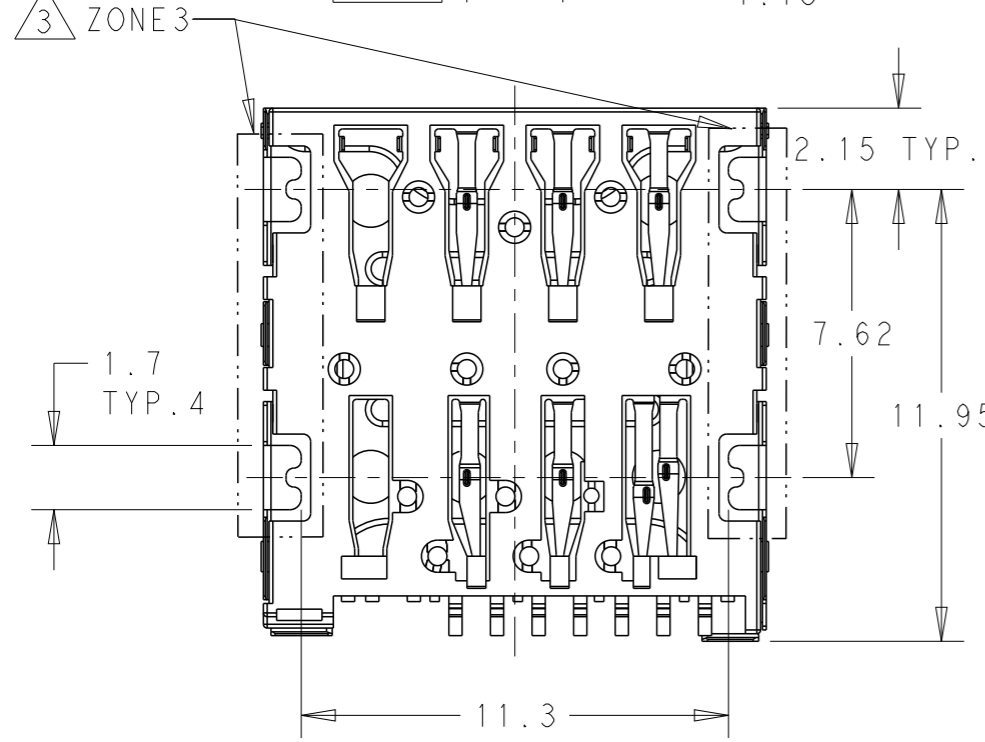


SECTION Z-Z SCALE 8:1

(6POS PCB LAYOUT) TOLERANCE: ±0.05



(MATING CONDITION)



DETAIL C PIN NO. SCALE 10:1

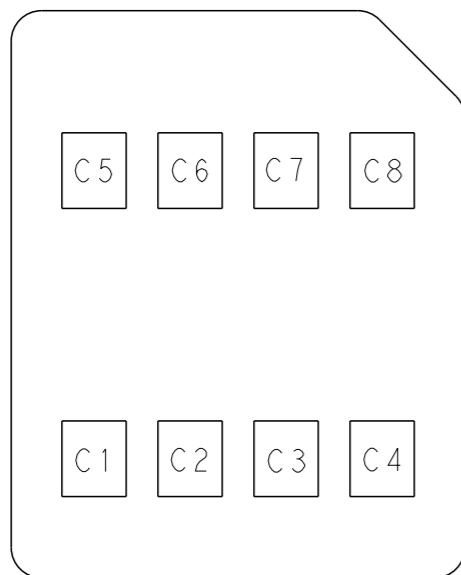
P/N	NO	COMPONENT	MATERIAL/FINISH
2199337-2 (6POS)	3	SHELL	3
	2	CONTACT	2
	1	HOUSING	1

THIS DRAWING IS A CONTROLLED DOCUMENT.		DWN B. Wong 27-Mar-14	TE Connectivity NAME ASSEMBLY FOR MICRO SIM H1.18 PUSH-PULL SIZE A3 CAGE CODE - DRAWING NO C-2199337 RESTRICTED TO - SCALE 5:1 SHEET 2 OF 4 REV A
DIMENSIONS: mm		CHK S. Li 27-Mar-14	
TOLERANCES UNLESS OTHERWISE SPECIFIED:		APVD C. Wang 27-Mar-14	
0 PLC ±0.2 1 PLC ±0.2 2 PLC ±0.2 3 PLC ±0.2 4 PLC ±0.2 ANGLES ± MATERIAL - FINISH -		PRODUCT SPEC - APPLICATION SPEC - WEIGHT -	
MATERIAL - FINISH -		CUSTOMER DRAWING	

REVISIONS

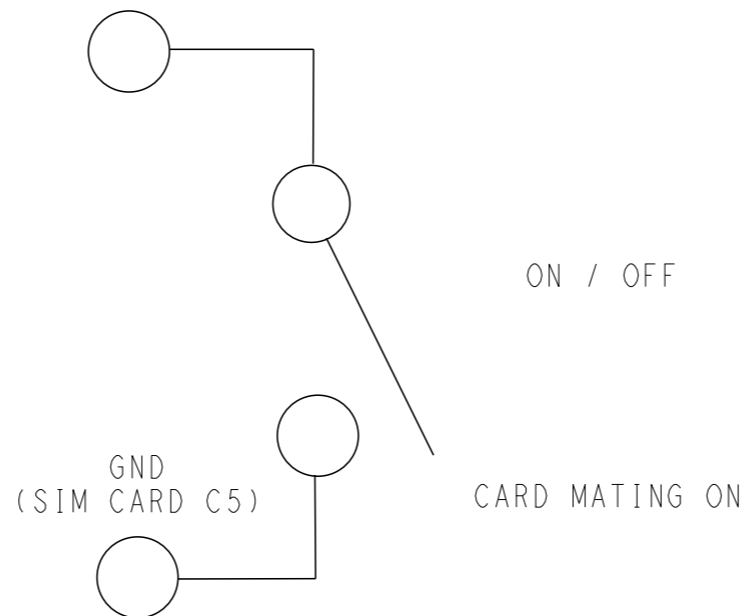
P	LTR	DESCRIPTION	DATE	DWN	APVD
		SEE SHEET 1			

0.76±0.08

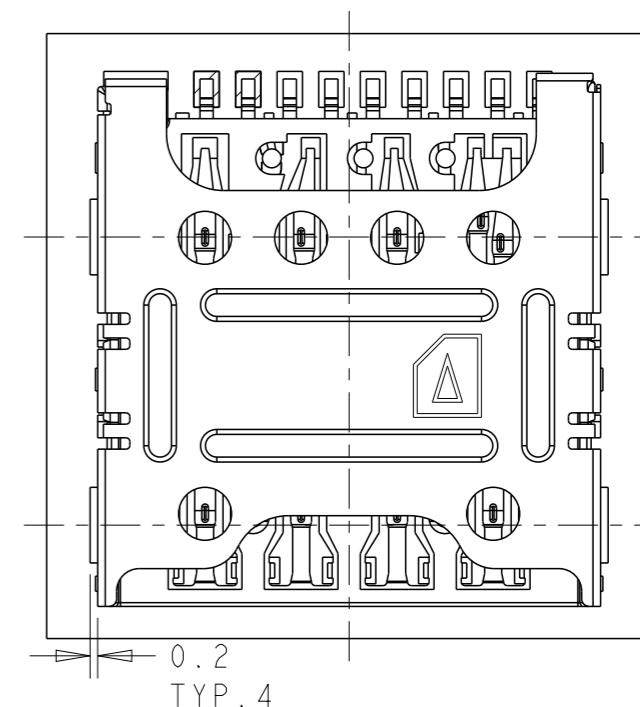


SIM CARD PAD LAYOUT

DETECTION SWITCH(SW)



CIRCUIT DRAWING OF SWITCH

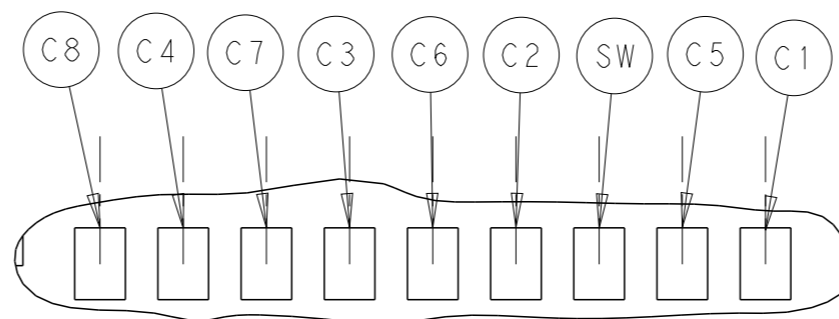


MATCH WITH PCB LAYOUT

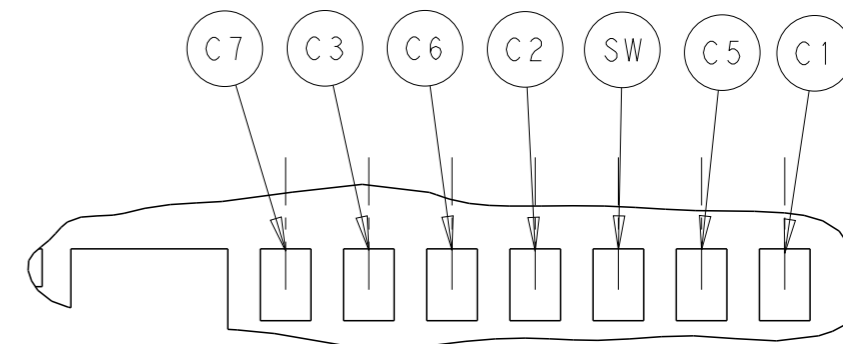
SCALE <5:1>

SW	DETECTION SWITCH
C8	RESERVED
C7	I/O
C6	VPP
C5	GND
C4	RESERVED
C3	CLK
C2	RST
C1	VCC
PIN No.	PIN NAME

SIM CARD PIN ASSIGNMENT




DETAIL B  
SCALE 10:1  
8POS TYPE



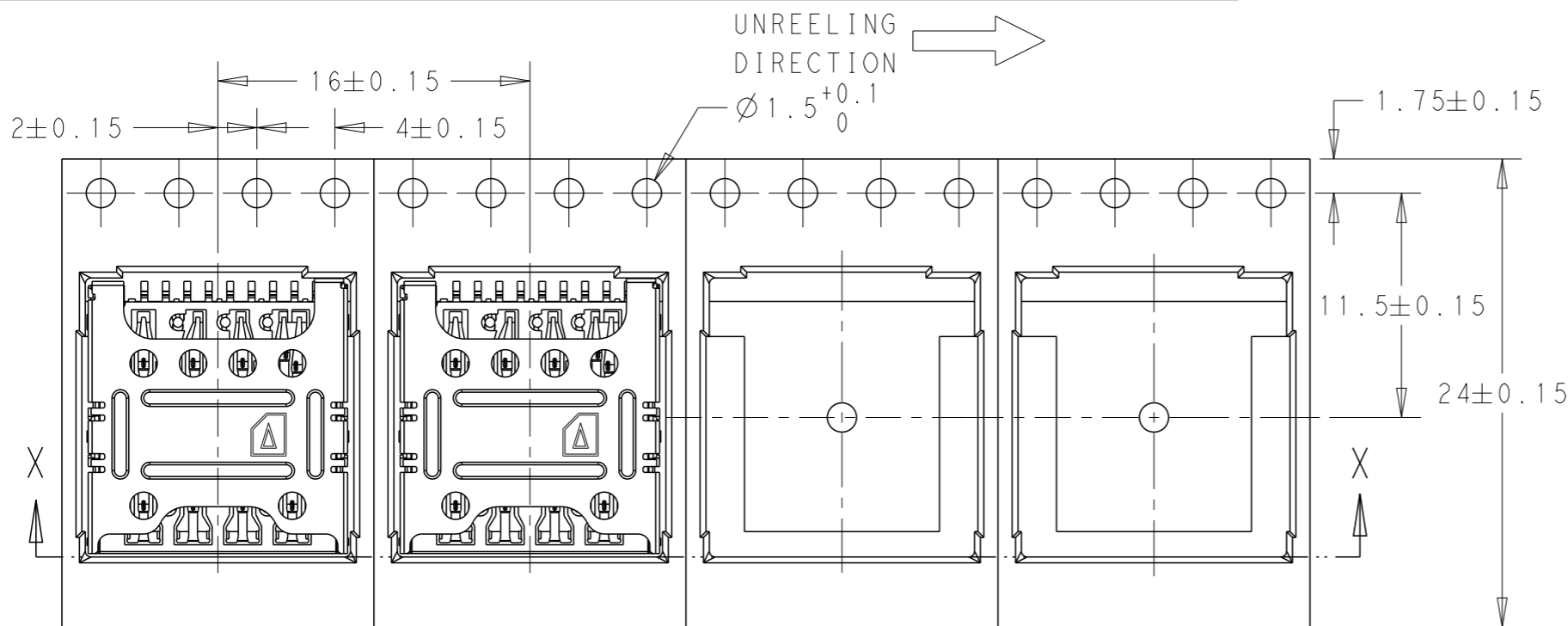
DETAIL D  
SCALE 10:1  
6POS TYPE

PCB LAYOUT(REFERENCE)  
(VIEW FROM CONNECTOR MOUNT SIDE)

THIS DRAWING IS A CONTROLLED DOCUMENT.		DWN B. Wong 27-Mar-14	 TE Connectivity	NAME		
DIMENSIONS: mm		CHK S. Li 27-Mar-14		ASSEMBLY FOR MICRO SIM H1.18 PUSH-PULL		
TOLERANCES UNLESS OTHERWISE SPECIFIED:		APVD C. Wang 27-Mar-14		SIZE	CAGE CODE	DRAWING NO
0 PLC ±0.2 1 PLC ±0.2 2 PLC ±0.2 3 PLC ±0.2 4 PLC ±0.2 ANGLES ±-		PRODUCT SPEC		A3	-	©-2199337
MATERIAL		APPLICATION SPEC	WEIGHT	RESTRICTED TO		
-		FINISH	CUSTOMER DRAWING	SCALE	SHEET	
-		-	-	3:1	3 OF 4	
					REV A	

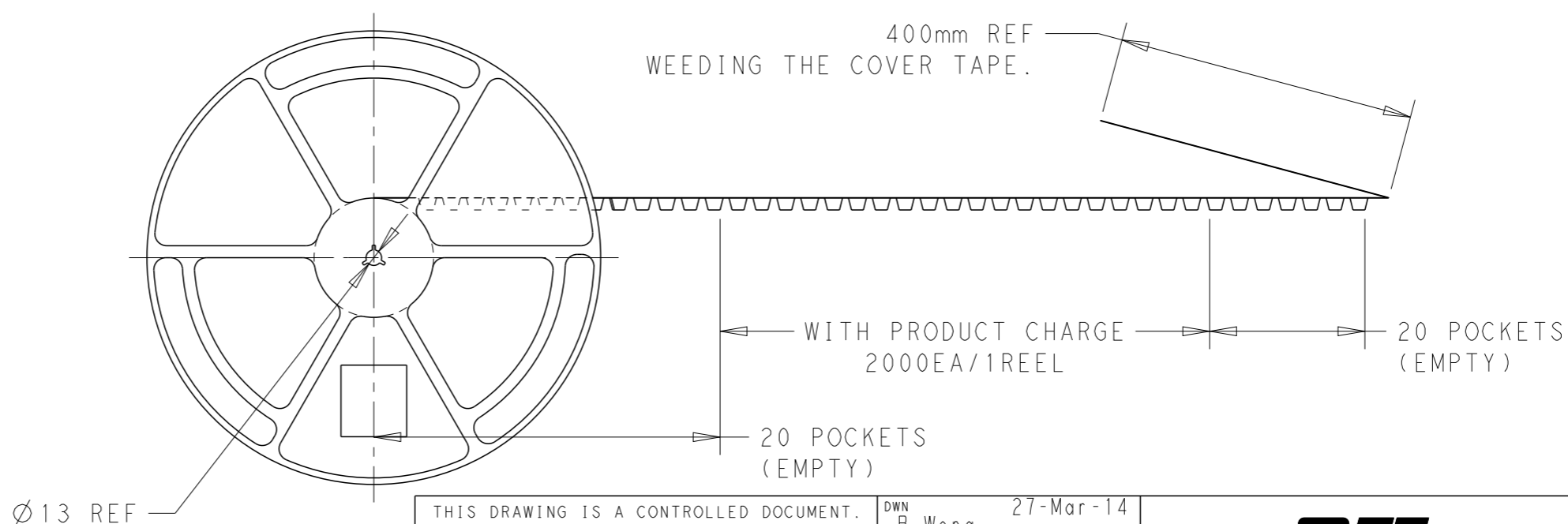
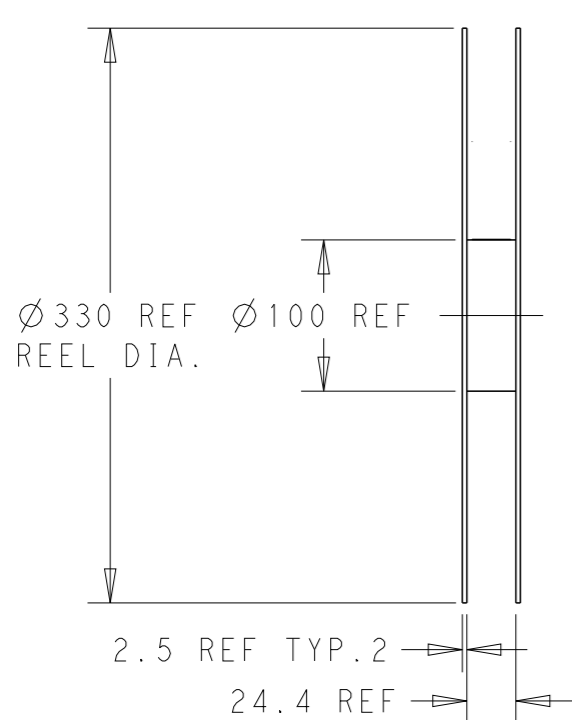
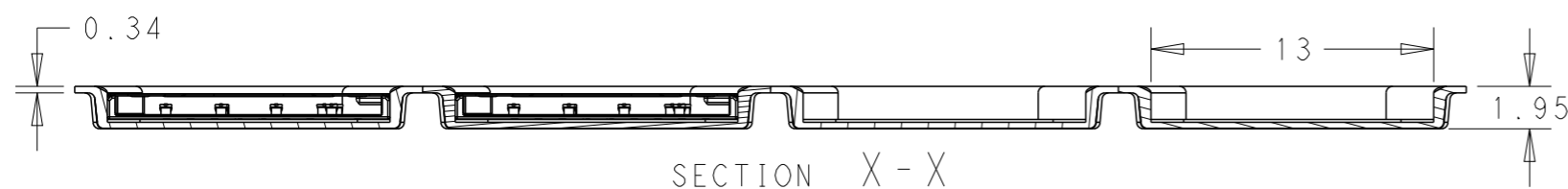
REVISIONS

P	LTR	DESCRIPTION	DATE	DWN	APVD
		SEE SHEET 1			



1. HOUSING MATERIAL : THERMO PLASTIC RESIN.
2. CONTACT MATERIAL : COPPER ALLOY.  
FINISH : 1.3um MIN. NICKEL UNDERPLATING ALL OVER,  
GOLD PLATING 0.3um MIN. ON ZONE 1,  
GOLD PLATING 0.05um MIN. ON ZONE 2.
3. SHELL MATERIAL : STAINLESS STEEL.  
FINISH : 1.3um MIN. NICKEL UNDERPLATING ALL OVER,  
TIN PLATING 1.0um MIN. ZONE 3.
4. COPLANARITY : 0.08MAX BEFORE IR.
5. COPLANARITY MEASURED ON 9 CONTACTS AND 5 CLIP PEGS IN ONE PASS.
6. DIMENTION MEASURED FROM PLASTIC TO CENTER OF CLIP PEGS.
7. EASY BROKEN BURR IS NOT PERMITTED.
8. NO STRIP-LINE AREA
9. TE LOGO, CARD INSERTION LOGO
10. DATE CODE : YWDSL (YEAR, WEEK , DAY, SHIFT, LINE)
  - 1.1 DO NOT CONTAIN ANY SUBSTANCE WHICH ARE SPECIFIED IN (OQA-2049)
  - 1.2 PACKING QUANTITY : 2000PCS/REEL
  - 1.3 GROUND PATTERN
  - 1.4 THIS PATTERN IS NOT GROUND.

SCALE 3:1



THIS DRAWING IS A CONTROLLED DOCUMENT.

DIMENSIONS: mm	TOLERANCES UNLESS OTHERWISE SPECIFIED:
	0 PLC ±0.2
	1 PLC ±0.2
	2 PLC ±0.2
	3 PLC ±0.2
	4 PLC ±0.2
	ANGLES ±
MATERIAL	FINISH
-	-
-	-

DWN	B. Wong	27-Mar-14
CHK	S. Li	27-Mar-14
APVD	C. Wang	27-Mar-14
PRODUCT SPEC	-	-
APPLICATION SPEC	-	-
WEIGHT	-	-
CUSTOMER DRAWING		

TE Connectivity		NAME	
		ASSEMBLY FOR MICRO SIM H1.18 PUSH-PULL	
SIZE	CAGE CODE	DRAWING NO	RESTRICTED TO
A3	-	C-2199337	-
SCALE 3:1		SHEET 4 OF 4	REV A

## X-ON Electronics

Largest Supplier of Electrical and Electronic Components

*Click to view similar products for [Memory Card Connectors](#) category:*

*Click to view products by [TE Connectivity](#) manufacturer:*

Other Similar products are found below :

[M21-033321-005](#) [6407-249V-25273P](#) [6407-249V-25343P](#) [6426-201-21343](#) [69.920.0553.0](#) [FCN-568P068-G/07-4V](#) [809180410000000](#)  
[HMCAP001](#) [252-0144-000](#) [2041353-2](#) [33CFAE-DN](#) [502431-1011](#) [617230001](#) [NX1-32T-KT3K\(05\)](#) [95622-003LF](#) [N7E50-U516RB-50-](#)  
[SIN0005](#) [95079-00CALF](#) [84648-056HLF](#) [33DVIR-29S12R](#) [125A-78C00](#) [MI20A-50PD-SF-EJL\(71\)](#) [KP10S-SF-PEJ\(812\)](#) [504536-0691](#)  
[504580-0691](#) [CCM03-3109 B LFT](#) [MI21-50PD-SF\(91\)](#) [2309923-1](#) [61126-050CAHLF](#) [IC1GA-68PD-1.27DS-EJ\(72\)](#) [GTFP08432B1HR](#)  
[G85DT17001P1EU](#) [G85B21611142HHR](#) [GSD090144HR](#) [G85D1140022P1HR](#) [GMCB05801124EU](#) [G85C11101152HHR](#)  
[G85B231021B1HR](#) [G85D1160022HHR](#) [123A-21M00](#) [123A-30B00](#) [123A-30A00](#) [123A-21A00](#) [123A-21B00](#) [123A-21E00](#) [123A-30E00](#)  
[123A-30M00](#) [123A-40A00](#) [123A-40E00](#) [123A-40M00](#) [123A-58B01](#)