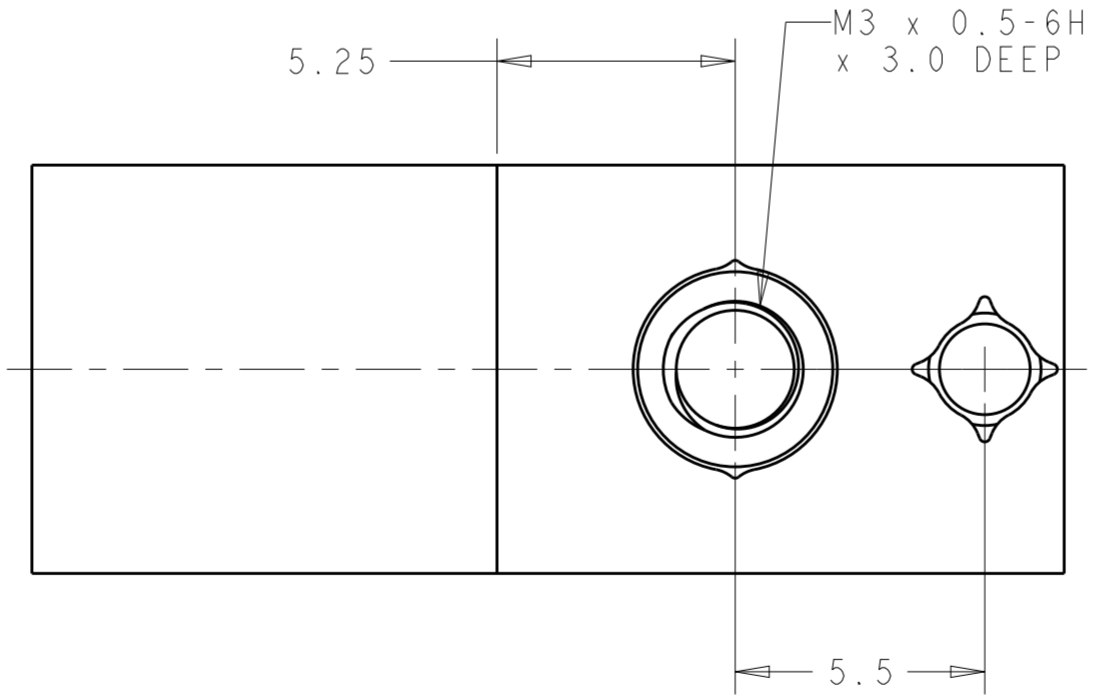
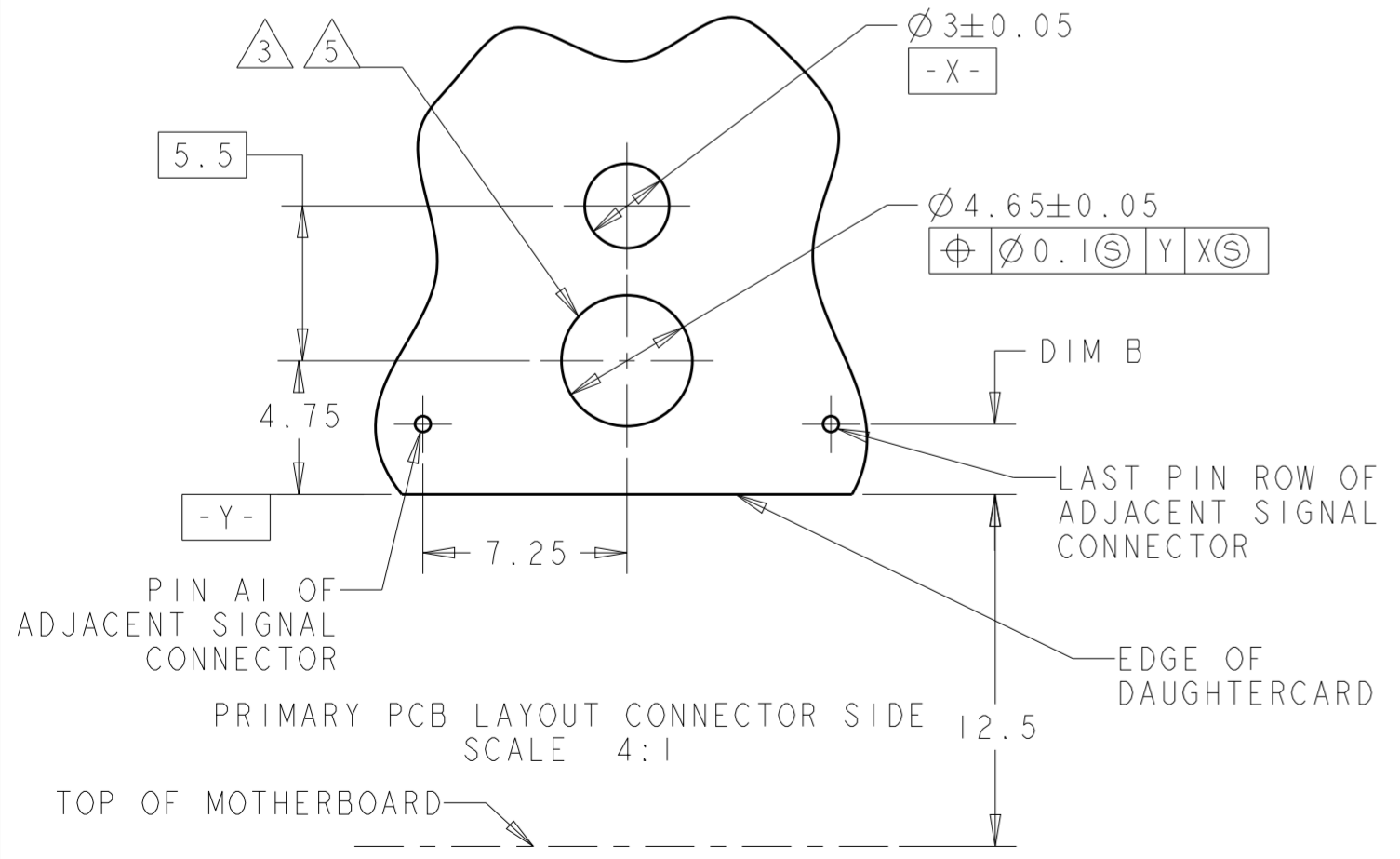
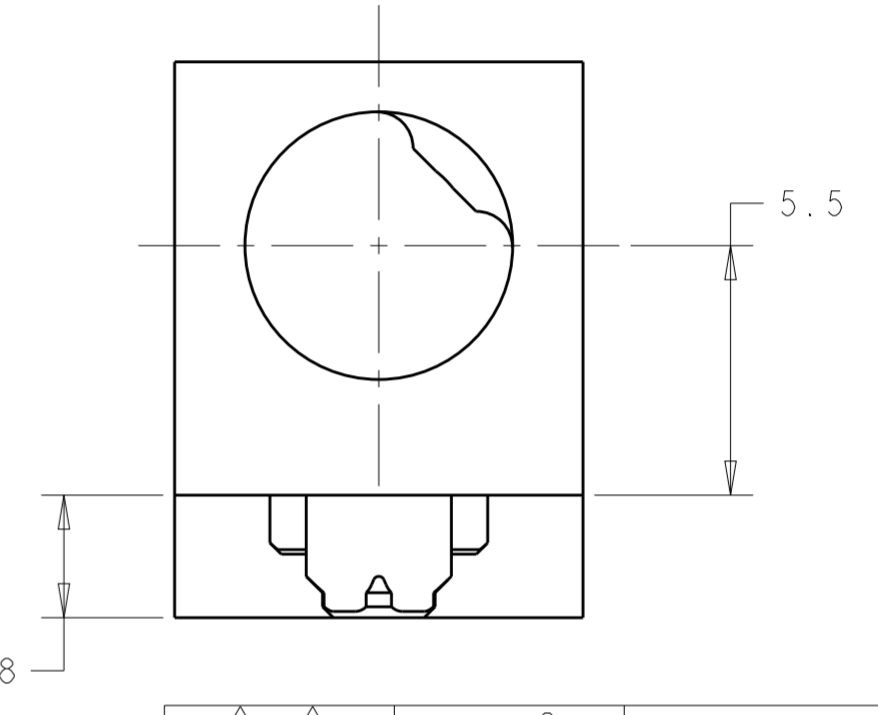
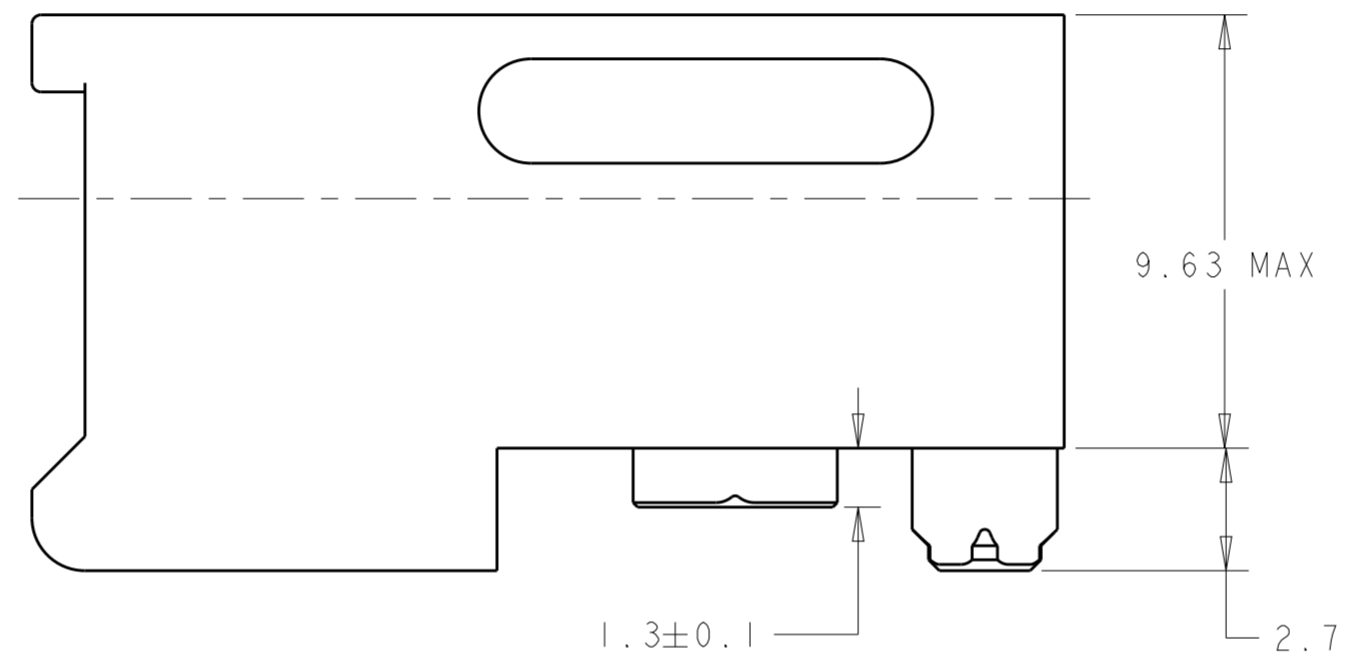
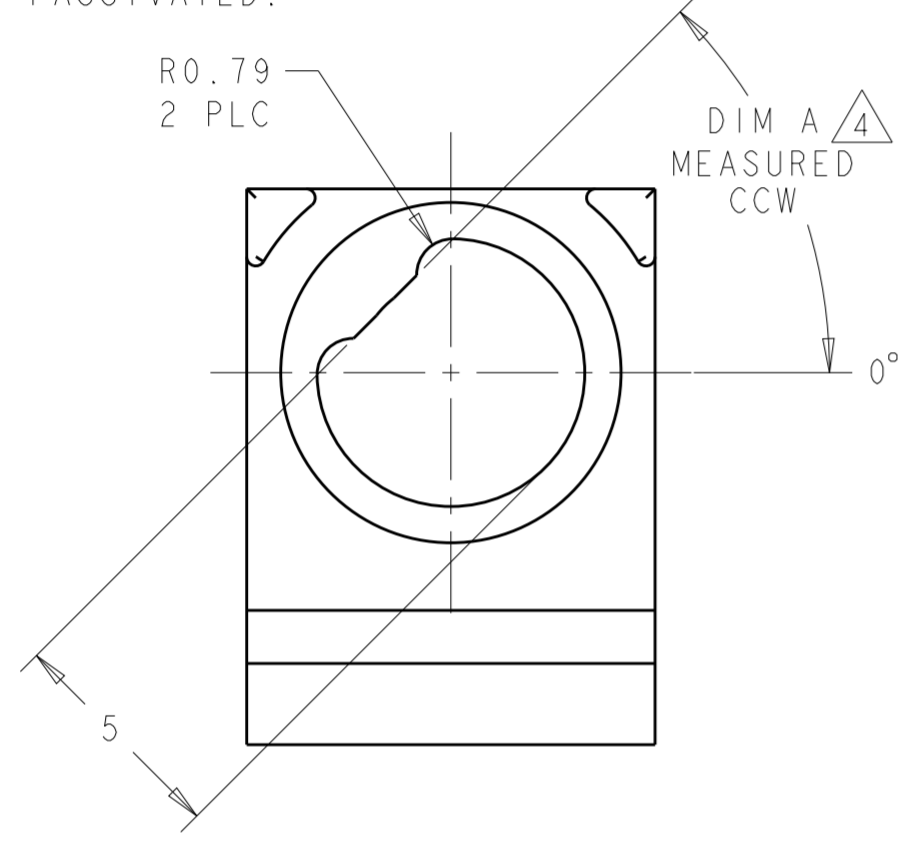
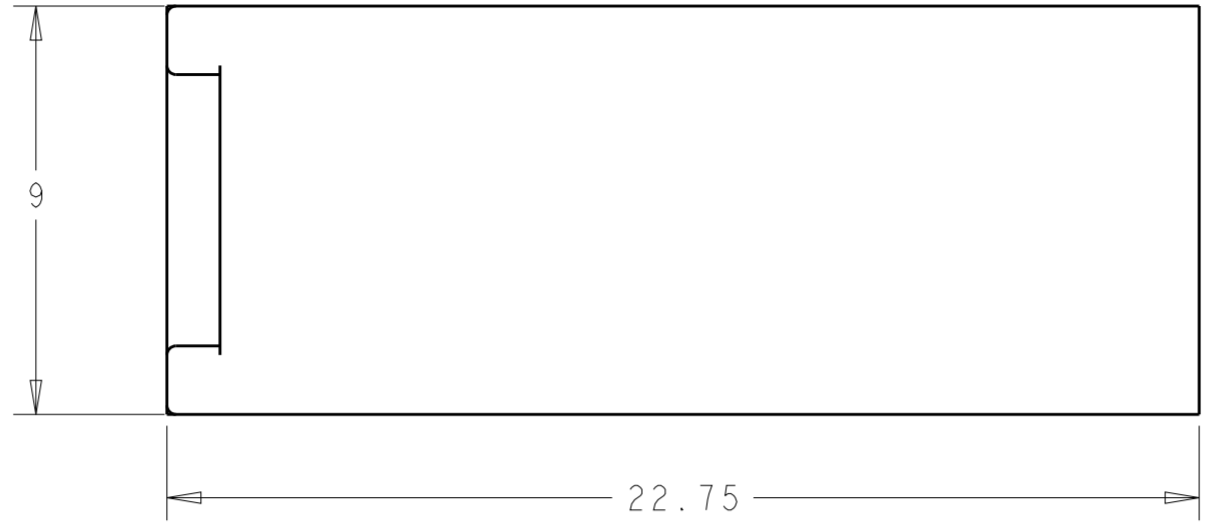


THIS DRAWING IS UNPUBLISHED. RELEASED FOR PUBLICATION 20
 © COPYRIGHT 20 BY - ALL RIGHTS RESERVED.

| REVISIONS | | | | |
|-----------|-----|-----------------------|---------|-------|
| P | LTR | DESCRIPTION | DATE | APVD |
| E | | REV PER ECO 18-009576 | 6-22-18 | CT RL |

- 1 MATERIAL: HOUSING: ALUMINUM 6061.
- 2 FINISH: 0.025 MIN ELECTROLESS NICKEL PER AMS-C-26074, GRADE A, CLASS 4.
- 3 HOLE FOR POSITIVE RETENTION SCREW.
- 4 DASH NUMBERS INDICATE KEY ORIENTATION (P/N 1-2000677-2 SHOWN ON DRAWING)
- 5 GROUND PAD Ø5mm ON BOTH SIDE OF PCB.
- 6 GUIDE MODULE W/O KEYING
- 7 MATERIAL: HOUSING: STAINLESS STEEL 303.
- 8 FINISH: PASSIVATED.



| 1 | 2 | ANGLE | PART NUMBER |
|-------------------|---|-------|-------------|
| 1 | 2 | 225° | 3-2000677-5 |
| 1 | 2 | 180° | 3-2000677-4 |
| 1 | 2 | 135° | 3-2000677-3 |
| 7 | 8 | 6 | 2-2000677-9 |
| 7 | 8 | 315° | 2-2000677-8 |
| 7 | 8 | 270° | 2-2000677-7 |
| 7 | 8 | 90° | 2-2000677-3 |
| 7 | 8 | 45° | 2-2000677-2 |
| 7 | 8 | 0° | 2-2000677-1 |
| 1 | 2 | 0° | 2-2000677-0 |
| 1 | 2 | 6 | 1-2000677-9 |
| 1 | 2 | 315° | 1-2000677-8 |
| 1 | 2 | 270° | 1-2000677-7 |
| 1 | 2 | 90° | 1-2000677-3 |
| 1 | 2 | 45° | 1-2000677-2 |
| MATERIAL & FINISH | | A | PART NUMBER |

| | |
|-------|----------------|
| 1.5 | TIER 2 (7-ROW) |
| 2.25 | TIER 2 |
| 2.5 | TIER 1 |
| DIM B | PRODUCT |

THIS DRAWING IS A CONTROLLED DOCUMENT.

DWN BH 11 JAN 2008
 CHK MRM 11 JAN 2008
 APVD MRM 11 JAN 2008

STE TE Connectivity

NAME HOUSING, GUIDE MODULE/STANDOFF, RIGHT ANGLE, KEYED, 20.3mm,

SIZE A2 CAGE CODE 00779 DRAWING NO C-2000677 RESTRICTED TO

MATERIAL SEE TABLE material_2 finish_spec_2

WEIGHT -

CUSTOMER DRAWING SCALE 5:1 SHEET 1 OF 1 REV E

X-ON Electronics

Largest Supplier of Electrical and Electronic Components

Click to view similar products for [High Speed/Modular Connectors](#) category:

Click to view products by [TE Connectivity](#) manufacturer:

Other Similar products are found below :

[650827-1](#) [74040-1346](#) [1410191-1](#) [1410368-3](#) [1410964-2](#) [1410326-3](#) [1410367-3](#) [1410971-4](#) [1467833-1](#) [2000877-1](#) [2000878-1](#) [2041314-1](#)
[2065387-1](#) [2187307-1](#) [163P](#) [1934290-1](#) [2000875-1](#) [2065917-1](#) [2102736-2](#) [FSR-40](#) [2169868-2](#) [22354-8](#) [437-5040-000](#) [5-1393565-0](#) [039-](#)
[0246-000](#) [0761601016](#) [0784461022](#) [10123159-12ELF](#) [030-2415-003/100 PK](#) [030-7380-004](#) [030-2494-001](#) [532939-1](#) [5532901-3](#) [3-1469268-](#)
[7](#) [74748-102LF](#) [73670-0247](#) [10041743-101LF](#) [10066670-100002LF](#) [1-533915-1](#) [249-4515-000](#) [7-1469373-3](#) [DL2-2J/S](#) [2000713-8](#)
[2000713-7](#) [10124313-101LF](#) [3011-21](#) [757105208](#) [EBTF-4-10-2.0-S-RA-1](#) [430305-001](#) [4395800100](#)